

John Michael Designs

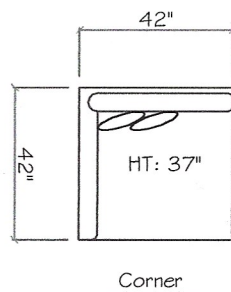
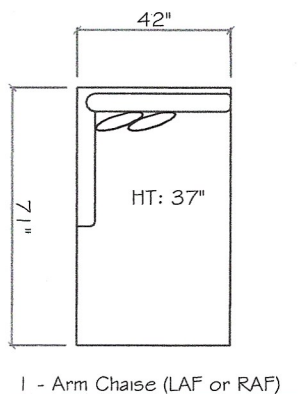
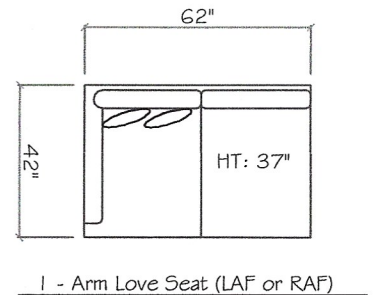
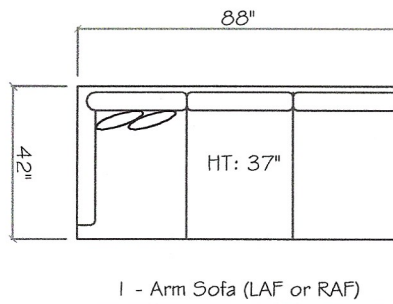
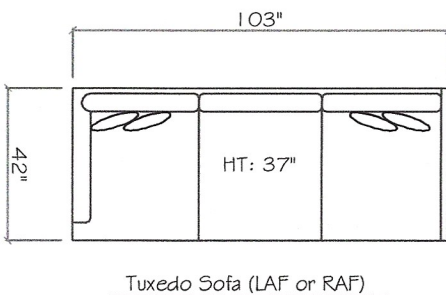
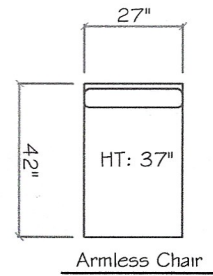
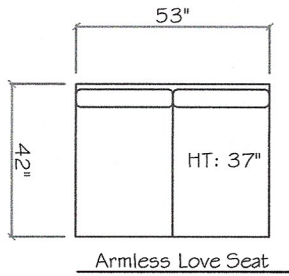
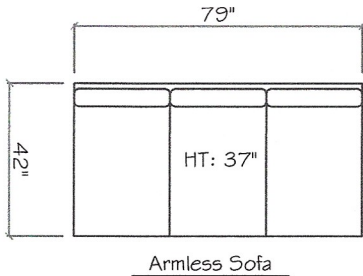
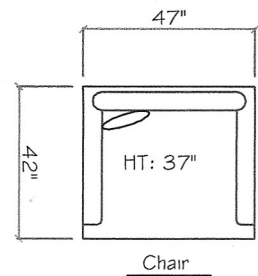
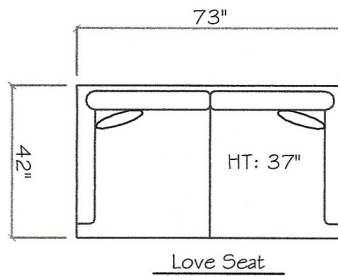
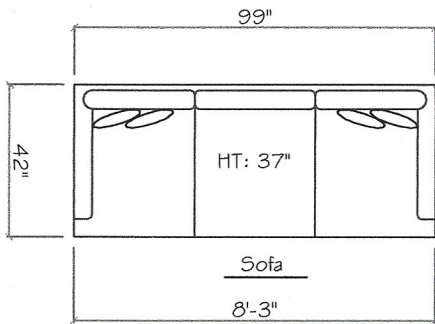
9000 SERIES

9000A - WITH ANTIQUE NAILHEADS

9000P - WITH PEWTER NAILHEADS

9000AII - WITH ANTIQUE NAILHEADS - 2 TONE

9000PII - WITH PEWTER NAILHEADS - 2 TONE



Dimensions are approximate with a variance of 1" to 3"