

SPRAY WASHERS



Totally Reliable Parts Cleaning

- Low competitive cost—quick and easy to install
- Spray washing with optional dunk
- Simple to operate and maintain
- 100% performance-proven

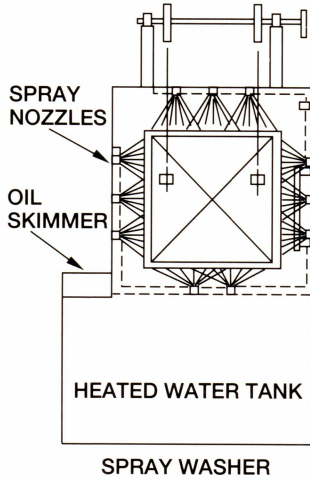
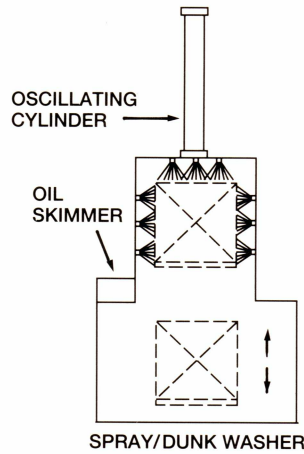
BeaverMatic washers are batch-type, power spray units that provide totally dependable cleansing action. They feature a high-capacity centrifugal pump which supplies washing solution to the spray nozzles and ejects it at 60 psi. BeaverMatic's strategically engineered spray pattern penetrates the load, removing all deposits and surface contaminants.

Combining the advantages of low cost, quick installation and simplified maintenance, these wash units are compatible for use with all standard furnace equipment. As a key component of the BeaverMatic line, they have demonstrated their reliability in heat treat plants throughout the USA.

Features

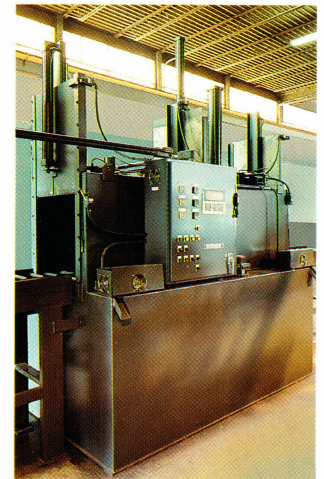
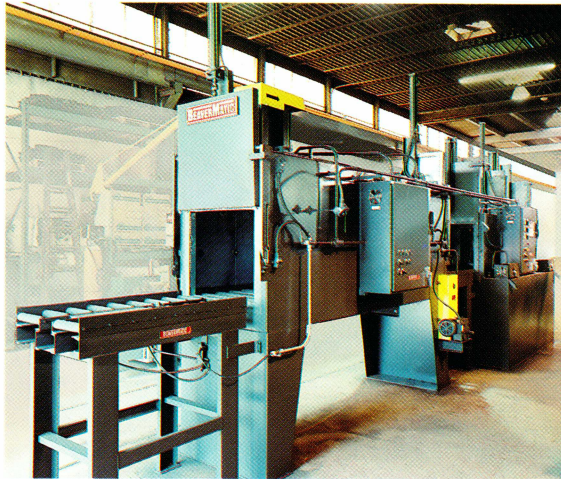
- Washing solution heated to average of 180°F., gas or electric
- Disc-type oil skimmer for discharge to collection barrel
- In-line pump/strainer
- Water level float valve
- Pneumatically operated front door
- Complete coverage by 27 spray nozzles at 60 psi on sides, top and bottom
- Operating timer
- Furnished with all necessary electrical/mechanical drawings and a comprehensive operator's manual
- Meets current EPA and OSHA standards

SPRAY WASHER SIZES/SPECIFICATIONS



Working Dimensions						Overall Dimensions		
Width	Length	Height	Load Lbs.	Pump H.P.	Tank Capacity Gallons	Width	Length	Height
18"	24"	14"	350	3	350	4'-6"	8'-8"	7'-4"
18"	24"	20"	400	3	400	4'-6"	8'-8"	7'-10"
24"	36"	20"	500	3	400	4'-8"	9'-8"	7'-10"
24"	36"	26"	750	3	400	4'-8"	9'-8"	8'-7"
30"	48"	20"	1,000	5	550	5'-2"	11'-8"	7'-10"
30"	48"	26"	1,500	5	550	5'-2"	11'-8"	8'-7"
30"	48"	32"	2,000	7 1/2	550	5'-2"	11'-8"	9'-3"
36"	48"	20"	1,500	5	600	5'-8"	11'-8"	7'-10"
36"	48"	26"	2,000	7 1/2	600	5'-8"	11'-8"	8'-7"
36"	48"	32"	2,000	7 1/2	600	5'-8"	11'-8"	9'-3"
48"	48"	32"	3,000	10	600	6'-8"	11'-8"	9'-3"
48"	48"	38"	4,000	10	600	6'-8"	11'-8"	10'-0"
48"	72"	36"	4,000	20	1,000	6'-8"	12'-8"	10'-0"
48"	72"	48"	5,000	25	1,250	6'-8"	12'-8"	11'-0"

New 24"W x 36"D x 20"H multi-zone BeaverMatic unit combines temper furnace processing with a two chamber washer in one continuous operation.



Premier Furnace / BeaverMatic

23850 Freeway Park Drive
Farmington Hills, MI 48335

Phone: 248-596-9000

Fax: 248-596-9001

www.premierfurnace.com

www.beavermatic.com