

Now With
R-410A

Compact Series Multi-Ton Air Conditioning

High-Capacity Air Conditioning In a Compact Package



27,000 BTU/hr Compact unit shown

The Compact series of self-contained marine air conditioners offers 18,000 and 27,000, and 30,000 BTU/hr of reverse-cycle cooling and heating.

These high-capacity units were engineered to harness and maximize the impressive performance of environmentally safe R-410A refrigerant. Used in the HVAC industry for more than 10 years, R-410A is proven and reliable, complies with all EPA standards, and is accepted worldwide.

All models offer direct expansion operation in a compact, low-profile unit, with a seawater-cooled condenser and choice of controls. Compact units are designed for installation under a settee or berth, in a locker or cabinet, or other convenient location.

Compact systems feature high-velocity (HV) blowers. All blowers are insulated to prevent secondary condensation, and are fully rotatable for flexibility during installation. A stainless-steel chassis is standard on all Compact models.

The 30,000 BTU/h model features dual evaporator coils and a single compressor on a single chassis. The dual high-velocity (HV) blowers can be ducted to two or more interior spaces.



The dual-blower 30,000 BTU/hr unit with stainless-steel chassis.

Key Benefits

- Compact design reduces unit size by up to 25% of the original Vector Rotary's size
- High-velocity (HV) fully-insulated blowers are rotatable
- Patented design increases cooling capacity and dehumidification
- Engineered to maximize the performance of R-410A, an environmentally safe refrigerant
- Unique compressor and reversing valve mounting reduces vibration
- Electrical box is installed within unit footprint on 18K and 27K models; remotely mounted for 30K models
- High-efficiency rotary and scroll compressors are quiet and more reliable
- Condenser coil's cupronickel-encased copper condenser coil provides maximum heat transfer and high resistance to corrosion
- Evaporator coil employs an enhanced fin design and rifled copper tubing to provide maximum capacity
- 27K and 30K models available in 3-phase power on a special order basis
- 5 ft. (1.5 m) air sensor standard
- Operates with select Cruisair or Marine Air displays

Special Options

- Display cable

 **Dometic**
CRUISAIR

 **Dometic**
MARINE AIR

Specifications for Compact Series Multi-Ton Air Conditioning

| Model ⁽¹⁾ | DCU18 | | | DCU27 | | SVC030 | |
|---|----------|------------|---------|-----------|------|-------------|----------|
| Capacity (BTU/h) ⁽²⁾ | 18000 | | | 27000 | | 30000 | |
| Voltage (V) | 115 | 230 | 220 | 230 | 220 | 230 | 380 |
| Cycle (Hz) ⁽³⁾ /Phase (Ph) | 60/1 | | 50/1 | 60/1 | 50/1 | 60/1 | 50/3 |
| Full Load Amps (FLA) Cool (A) | 11.1 | 6.4 | 5.7 | 8 | 7.6 | 9.7 | 4.96 |
| Full Load Amps (FLA) Heat (A) | 15.1 | 8.3 | 7 | 11.2 | 11 | 12.8 | 5.96 |
| Full Load Amps (FLA) Blower (A) | 1.93 | 1.15 | | 1.64 | | 1.76 | 1.56 |
| Locked Rotor Amps (LRA) (A) | 66 | 32 | 26 | 58.3 | 60 | 53 | 38 |
| Max. Circuit Breaker (A) | 45 | 20 | | 45 | 40 | 35 | 15 |
| Min. Circuit Ampacity (A) | 27 | 13 | | 27 | 24 | 21 | 10 |
| Refrigerant Type | 410A | | | 410A | | 410A | |
| Height-Coil (in/mm) ⁽⁴⁾ | 14/356 | | | 18/458 | | N/A | N/A |
| Height-Blower (in/mm) ⁽⁴⁾ | 15.5/394 | | | 19.25/489 | | N/A | N/A |
| Height-Compressor (in/mm) ⁽⁴⁾ | N/A | | | N/A | | 15/381 | 16.5/420 |
| Width (in/mm) ⁽⁴⁾ | 21/534 | | | 24.75/629 | | 25/635 | |
| Depth (in/mm) ⁽⁴⁾ | 12/305 | | | 15.25/388 | | 23/585 | |
| Min. Supply Duct Size (in/mm) | 7/178 | | | 8/204 | | 5/127 | |
| Quantity-Duct Connections | 1 | | | 1 | | 2 | |
| Min. Supply Air Grille Size (sq in/sq cm) | 100/646 | | | 140/904 | | 150/968 | |
| Min. Return Air Grille Size (sq in/sq cm) | 200/1291 | | | 240/1549 | | 250/1613 | |
| Seawater Inlet Connection (in/mm) | 3/8 /16 | | | 3/8 /16 | | 3/8 /16 | |
| Net Weight (lbs/kg) ⁽⁵⁾ | 64/29.1 | 69.45/31.6 | 70/31.8 | 120/54.5 | | 108.25/49.2 | TBD |
| Gross Weight (lbs/kg) ⁽⁵⁾ | 73/33.2 | 81/36.8 | 82/37.2 | 130/59 | | 125/57.4 | TBD |

¹ To complete the model numbers for a specific voltage/cycle/phase, add a '-1161' for 115V/60Hz/1-Phase, or '-2361' for 230V/60Hz/1-Phase, followed by '-410A' (e.g. 'DCU27-2361-410A').

² BTU and electrical data are based on a 45°F/7.2°C evaporator and 100°F/37.8°C condenser in cool mode, and a 45°F/7.2°C evaporator and 130°F/54.4°C condenser in heat mode.

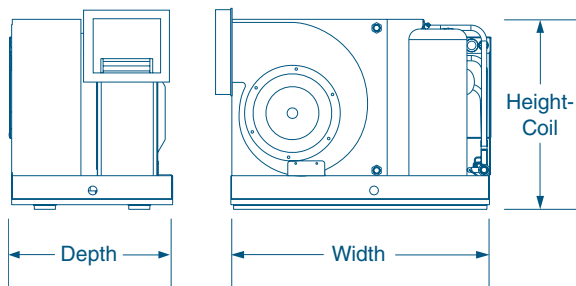
³ 60Hz units must not operate at 50Hz and 50Hz units must not operate at 60Hz unless data plate states otherwise.

⁴ All dimensions ± 0.30 in. (8 mm).

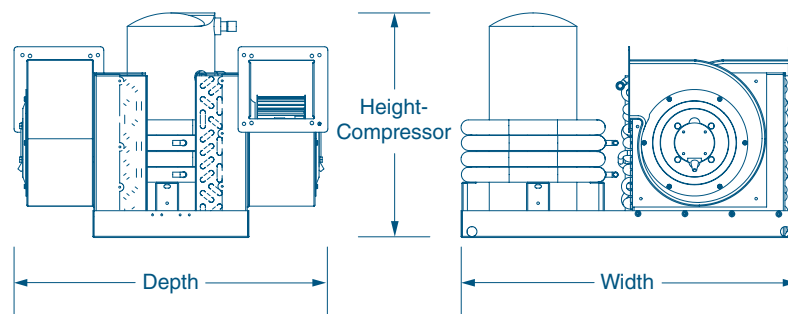
⁵ All weights ± 10%

Dimensions

Single-Blower 18,000 & 27,000 BTU/h Models



Dual-Blower 30,000 BTU/h Model



DOMETIC MARINE DIVISION

2000 N. Andrews Ave. Ext. | Pompano Beach, FL 33069 USA | Tel. 954-973-2477 | Fax: 954-979-4414
www.Dometic.com/Marine | MarineSales@DometicUSA.com

24/7 TECH SUPPORT FOR UNITED STATES & CANADA:

8:00 AM to 5:00 PM Eastern Time: 800-542-2477
After hours and weekends: 888-440-4494

INTERNATIONAL SALES & SERVICES

Europe & the Middle East: Call +44(0)870-330-6101
For all other areas visit our website to find your nearest distributor.

Dealer

