



CTM-MARINE AH

High-efficient chilled water air handlers
for chilled water marine air conditioners.



**6k - 8k - 12k
16k - 24k
BTU**



Quiet



Compact



Wi-Fi
Thermostats



Corrosion Free
Base



Universal
Board



Re-usable
Air Filter



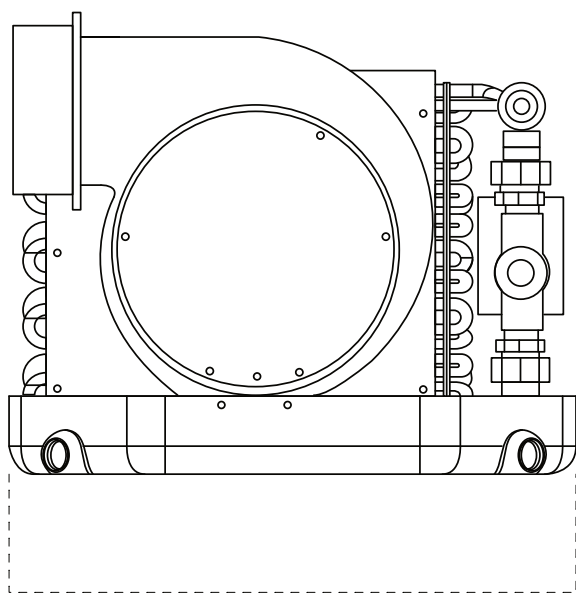
Fire Retardant
Electrical Box

www.ctm-marine.com

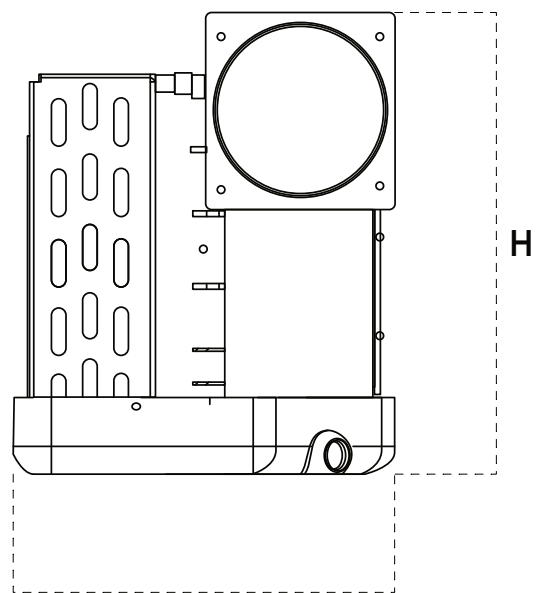
Air conditioners for the modern sailor.

Model No.	AH-6H	AH-8H	AH-12H	AH-16H	AH-24H
Capacity (BTU)	6,000	8,000	12000	16,000	24,000
Voltage (V)	208-240				
Cycle (Hz) / Phase (Ph)	50-60 / 1				
Input Rotor Amps (A)	0.4	0.7	0.7	0.9	1.7
Blower Cap	2uF / 450 V	4uF / 450 V	3uF / 450 V	5uF / 450 V	8uF / 450 V
Fuse Max (A)	5				
Control Board	U-Board Part# 40001C				
Input Rotor Amps (A)	0.4	0.7	0.7	0.9	1.7
Seawater Inlet Connection (in)	3/4				
Seawater Outlet Connection (in)	3/4				
Refrigerant Type	R410A				
Net Weight (lbs/Kg)	16.5 / 7.5	22 / 10	23 / 10	28 / 13	39 / 17.5
Width (W) in/mm	12.5 / 320	16.1 / 410	16.1 / 410	16.9 / 430	20.8 / 530
Height (H) in/mm	11.1 / 283	12.1 / 308	13.3 / 338	13.8 / 353	17.5 / 445
Depth (D) in/mm	8.9 / 227	10.7 / 273	10.7 / 273	11.6 / 295	13.7 / 350

H = 220 v



W



D