



EBA16C Unit Shown Here

Features

- Compact, ductable cooling unit
- Rotatable, variable-speed blower, with high-efficiency internal PSC motor
- Deep condensate pan is insulated, and includes anti-slosh, antifungal foam lining
- Pan acts as mounting chassis
- EHBA models with integrated electric heat
- Air filter, hose adapter, and mounting clips included
- Works with Cruisair F-type condensing units

EBA Models

EBA and EHBA are draw-through, ductable cooling units with a rotatable, high efficiency PSC blower and an integral condensate pan. It is typically installed low in a closet, cabinet, or other enclosed space, with discharge air ducted to one or more grills high in the room.

Models are available in capacities from 7,000 to 16,000 Btu/hr, and are used with Cruisair F type remote condensing units. Multiple cooling units can be used with a single condensing unit of matched capacity.

The squirrel cage blower can be rotated so the discharge air is easily ducted. The variable speed PSC (permanent split capacitor) motor is internal to the blower wheel and housing, which makes for a narrower unit, and quieter operation than a typical external motor blower. The PSC blower also provides improved static pressure performance.

The blower housing, condensate pan and all metal surfaces over which air passes are covered with insulating foam, reducing noise and secondary condensation. An anti-slosh, antifungal foam lines the condensate pan, which also acts as the mounting chassis. Standard EBA units use clips to hold down the pan.

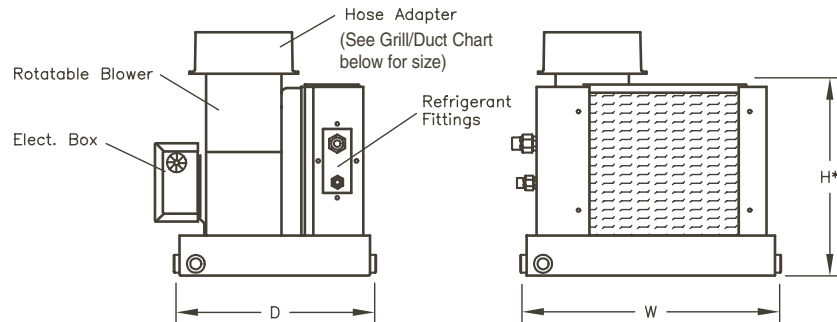
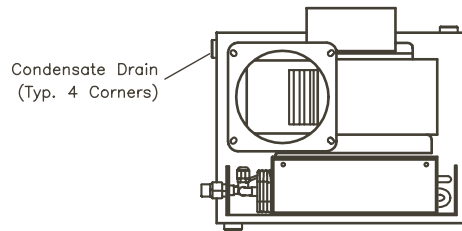
Condensate drain fittings are provided in all four corners of the drain pan to provide many options at installation (only 2 drains need to be utilized, the other 2 can be plugged). Refrigerant fittings are attached to a bulkhead on the side of the unit to help prevent damage to the refrigerant lines during installation. An electrical junction box on the rear of the unit is attached to the drain pan so the blower can be rotated easily, and the junction box can be remote mounted if needed.

EHBA models have an electric heat element, which can supply heat when water temperatures are too cold for reverse cycle heat. The unit has two-stage overheating protection, one auto-reset and the second a manual reset, and the interior is lined with high temperature insulation.

Cruisair cooling units can be used with a rotary knob switch assembly, or with either the SMX II or SMX Net microprocessor control systems and a SMXir keypad/display. Models with electric heat must use SMX Net or the appropriate auxiliary heat switch assembly.

EBA units can be installed with a combination of plenums and flexible duct, or built-in ductwork to convey discharge air to one or more outlet grills. A hose adapter is included to connect flexible duct to the blower outlet. If using built-in ducts, a flexible transition between the blower and duct should be installed.

REFRIGERANT LINE SIZES		
Unit Size	Discharge	Suction
4,000 to 12,000 Btu/hr	1/4"	3/8"
16,000 Btu/hr	1/4"	1/2"



* Add 2" (50mm) to H for the hose adapter

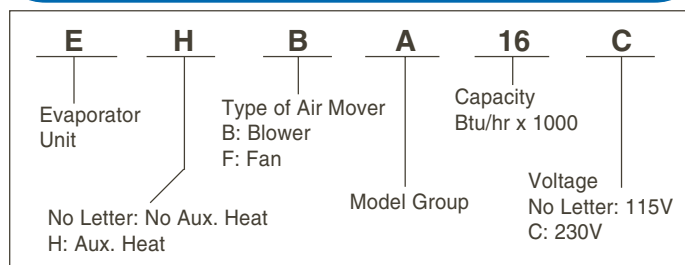
TECHNICAL SPECIFICATIONS

Model	Capacity (Btu/hr)	Voltage	Blower Amps	Heat kW	Total Amps	Dimensions (in/mm)			Air Flow (cfm/cmh)
						H	W	D	
EBA7 EBA7C	7,000	115 230	1.2 0.6	- -	- -	10.3/260	13.3/337	11.5/292	250/425
EBA10 EBA10C	10,000	115 230	1.3 0.7	- -	- -	11.5/292	14.3/363	12.5/318	330/560
EBA12 EBA12C	12,000	115 230	1.4 0.7	- -	- -	11.5/292	14.3/362	12.5/318	400/680
EBA16 EBA16C	16,000	115 230	1.8 0.9	- -	- -	14.3/362	16.5/419	14.8/375	550/935
EHBA7 EHBA7C	7,000	115 230	1.2 0.6	1.0 1.0	9.6 4.8	10.3/260	14.0/356	11.5/292	250/425
EHBA10 EHBA10C	10,000	115 230	1.3 0.7	1.5 1.5	13.6 6.9	11.5/292	15.0/381	12.5/318	330/560
EHBA12 EHBA12C	12,000	115 230	1.3 0.7	2.0 2.0	17.8 9.2	11.5/292	15.0/381	12.5/318	400/680
EHBA16 EHBA16C	16,000	115 230	1.8 0.9	2.0 2.0	17.8 9.2	14.3/362	17.3/438	14.8/375	550/935

RECOMMENDED GRILL & DUCT SIZES

Unit Capacity Btu/hr	Minimum Return Air Grill Size (sq in/cm)	Minimum Discharge Grill Size (sq in/cm)	Recommended Duct Size (in/mm)
7,000	72/465	49/315	5/125
8,000	72/465	49/315	5/125
10,000	100/650	60/390	6/150
12,000	120/780	70/455	6/150
16,000	144/935	80/520	7/175

INTERPRETING MODEL NUMBERS



Dometic Corporation
Environmental Systems

P.O. Box 15299 • Richmond, VA 23227-0699 USA • Phone: 804-746-1313 • Facsimile: 804-746-7248
 2000 N. Andrews Ave. Ext. • Pompano Beach, FL 33069-1497 USA • Phone: 954-973-2477 • Facsimile: 954-979-4414
 Fleets Industrial Estate • 26 Willis Way • Poole, Dorset BH15 3SU, England • Phone: +44(0)870 3306101 • Facsimile: +44(0)870 3306102

Email: sales@cruisair.com • Website: www.cruisair.com

Revised: 09-28-04 L-2029