

# Vector Turbo

## Optimized Marine Design



**Rust-free molded composite drain pan designed for quick removal of condensate water.** Innovatively designed sloped channels route water rapidly to a choice of three easy to plumb drain locations.

Experience better noise reduction with a built-in cushion system that minimizes vibration to the deck. Additionally, the innovative mounting clips utilize vibration isolators. As shown in the photo, the optional molded compressor sound shield maximizes noise containment.

The centrifugal enclosed-motor, high-velocity blower can be rotated through 270° with one adjustment screw. The unit's unique inlet ring is designed to optimize air flow and ensure that the height of the unit does not increase when the blower rotates.

### Key Benefits

- Up To 85% Reduction in Standing Water in the Drain Pan
- Up To 27% Reduced Amperage
- Up To 21% Increased Capacity
- Up To 17% Reduction in Unit Height
- Reduced Depth by Eliminating Blower Motor Overhang
- Reduced the Average Installation Time by 10 - 20 minutes
- Compatible with Elite or Passport I/O Controls

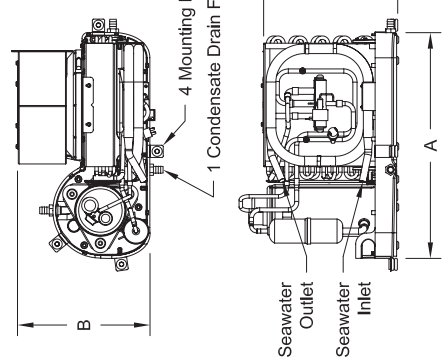
# Specification Details for Vector Turbo Models



Model	VTD6K			VTD8K			VTD10K			VTD12K			VTD14K			VTD16K				
	6,000			8,000			10,000			12,000			14,000			16,000				
Capacity (BTU/Hr)	115	240		115	230	240	115	230	240	115	230	240	115	230	240	115	230	240		
Voltage (VAC)	60	1	50	60	1	50	60	1	50	60	1	50	60	1	50	60	1	50		
Cycle (Hz)/Phase (Ph)	3.9	2.1	5.4	2.6	3.6	3.4	6.0	3.1	3.4	6.8	3.4	3.7	7.8	4.2	4.4	9.4	4.6	4.5		
Full Load Amps (FLA) cool	5.1	2.8	7.0	3.4	4.4	4.3	8.3	4.2	4.3	9.4	4.7	4.7	11.3	5.4	5.8	12.4	6.2	5.8		
Full Load Amps (FLA) heat	29	11	40	19	20	16.9	42	21	16.9	53	26	22.2	58	33	22	59	34	32		
Locked Rotor Amps (Comp)	0.6	0.7	0.8	0.8	1.1	1.0	1.0	1.0	1.0	1.1	1.1	1.1	1.3	1.3	1.4	1.4	1.4	1.4		
K.V.A. (Kilo-Volt-Amps)	15	9	21	10	13	13	25	14	13	31	15	15	33	18	18	40	21	19		
Max. Circuit Breaker (Amps)	9	5	12	6	8	8	15	8	8	30	9	8	19	10	10	23	12	11		
Min. Circuit Ampacity (Amps)	8	227	10	283	10	283	10.5	298	10.5	298	11	312	11	312	13	369	13	369		
Refrigerant R-22 (oz/g)	8	227	10	283	10	283	10.5	298	10.5	298	11	312	11	312	13	369	13	369		
Unit Dimensions (in/cm)																				
Height – Evaporator (C <sup>†</sup> )	10.8	27.4	10.8	27.4	12.2	31.0	12.2	31.0	12.2	31.0	12.9	32.8	12.9	32.8	12.9	32.8	12.9	32.8		
Height – Compressor (D <sup>†</sup> )	12.2	31.0	12.2	31.0	12.8	32.5	14.2	36.1	13.9	35.4	12.8	32.5	13.9	35.4	14.1	35.9	13.1	33.2		
Height – w/Optional Sound Cover	13.4	34.0	13.4	34.0	14.0	35.6	14.0	35.6	15.2	38.6	15.2	38.6	14.0	35.6	15.2	38.6	14.0	35.6		
Width (A <sup>†</sup> )	17.6	44.7	17.6	44.7	20.4	51.8	20.4	51.8	20.4	51.8	20.4	51.8	21.4	54.4	21.4	54.4	21.4	54.4		
Depth (B <sup>†</sup> )	10.7	27.2	10.7	27.2	12.4	31.5	12.4	31.5	12.4	31.5	12.4	31.5	13.3	33.8	13.3	33.8	13.3	33.8		
Min. Duct Size Dia.	4	10.2	5	12.7	6	15.2	6	15.2	6	15.2	6	15.2	7	17.8	7	17.8	7	17.8		
Min. SA Grill (sq in/cm)	32	207	48	310	60	387	60	387	70	452	70	452	76	490	76	490	81	523		
Min. RA Grill (sq in/cm)	64	413	80	516	110	710	110	710	130	839	130	839	144	929	144	929	160	1032		
Net Weight (lbs/kg)	39.6	18.0	40.4	18.3	43.8	19.9	43.6	19.8	43.0	19.5	48.8	22.1	48.8	22.1	52.8	24.0	54.4	24.7		
Gross Weight (lbs/kg)	49.6	22.5	50.4	22.9	53.8	24.4	53.6	24.3	53.0	24.0	58.8	26.7	58.8	26.7	62.8	28.5	63.4	28.8	65.0	29.5

**Notes:**

- 1) Add a "Z" or "Z50" after the capacity designator for 230V or 220V/50Hz units respectively. Examples VTD8K = 115V, VTD8KZ=230V, VTD8KZ50=220V/50Hz
- 2) BTU and electrical data are based on a 45°F/7.2°C evaporator and 100°F/37.8°C condenser in cool mode, and a 45°F/7.2°C evaporator and 130°F/54.4°C condenser in heat.
- 3) Note: 60Hz units must not operate at 50Hz and 50Hz units must not operate at 60Hz.
- 4) Refrigerant charges shown are for R22. Alternative "Environmentally Friendly Green Gas" refrigerants available on request.
- † Refers to callouts shown in drawing.



Dealer:

**DOMETIC ENVIRONMENTAL CORPORATION**  
 2000 N. Andrews Ave. Ext. | Pompano Beach, FL 33069 USA | 954-973-2477 | Fax 954-979-4414  
 P.O. Box 15299 | Richmond, VA 23227 USA | 804-746-1313 | Fax 804-746-7248  
 www.DometicEnviro.com | sales@DometicEnviro.com

**United States & Canada Service Only:**  
 8:00 AM to 5:00 PM Eastern Time  
 Marine Air AC Products: 954-973-2477  
 Cruisair AC Products: 804-746-1313  
**24/7 A/C SERVICE HOTLINE: 5:00PM to 8:00 AM: 888-440-4494**

**International Sales & Service:**  
 Europe & the Middle East: Call +44(0)870-330-6101  
 For all other areas visit our website to find your nearest distributor.  
 Revised: 8-8-07 L-2502A

