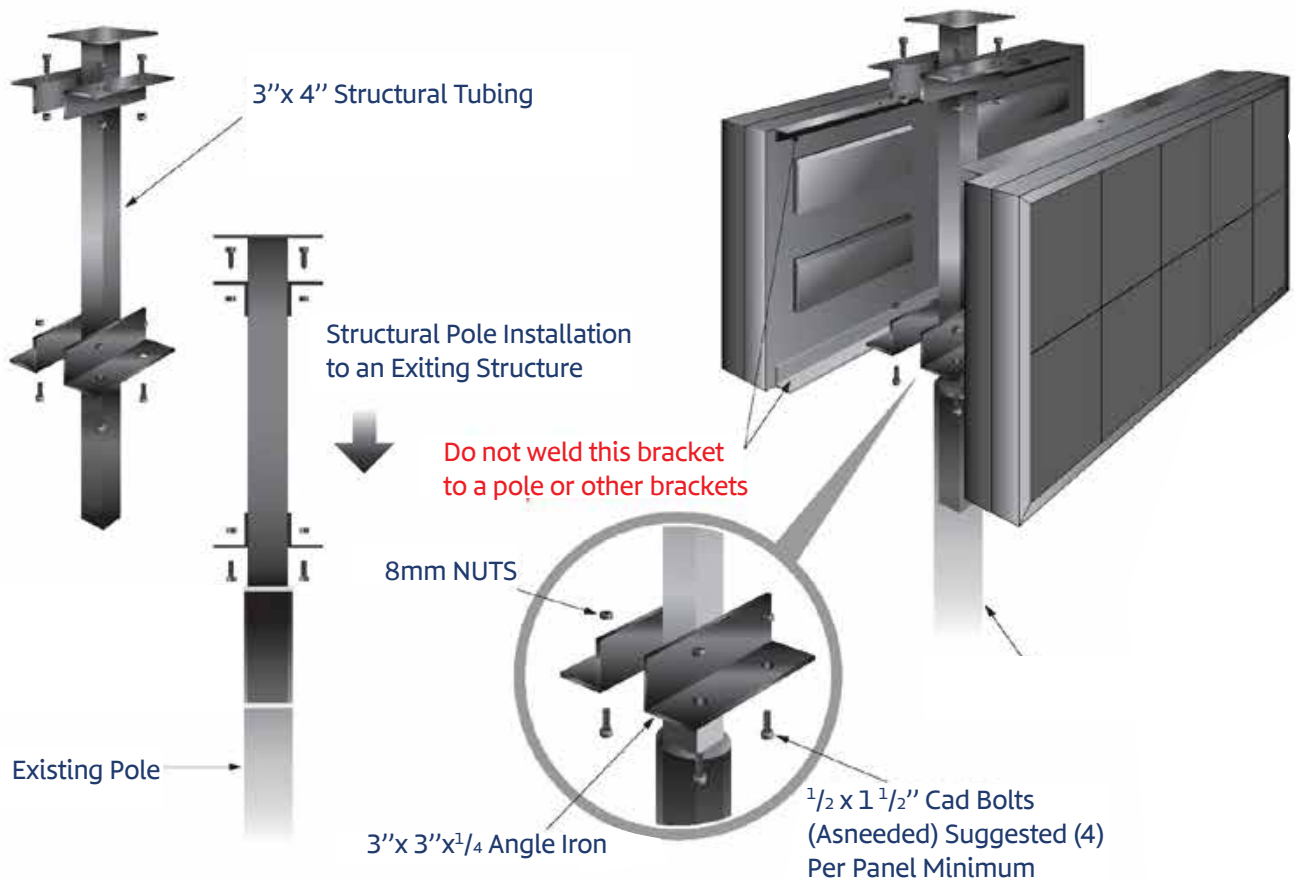


TYPICAL POLE MOUNTING



General Bracketing for mounting
to an existing structure with structural tubing



CAUTION

- DO NOT WELD any part of the cabinet or the General Bracket; Use only bolts and brackets
- DO NOT drill additional holes into the cabinet.
- DO NOT house the inside other enclosures.
- These actions, including but not limited to. VOID all warranties.

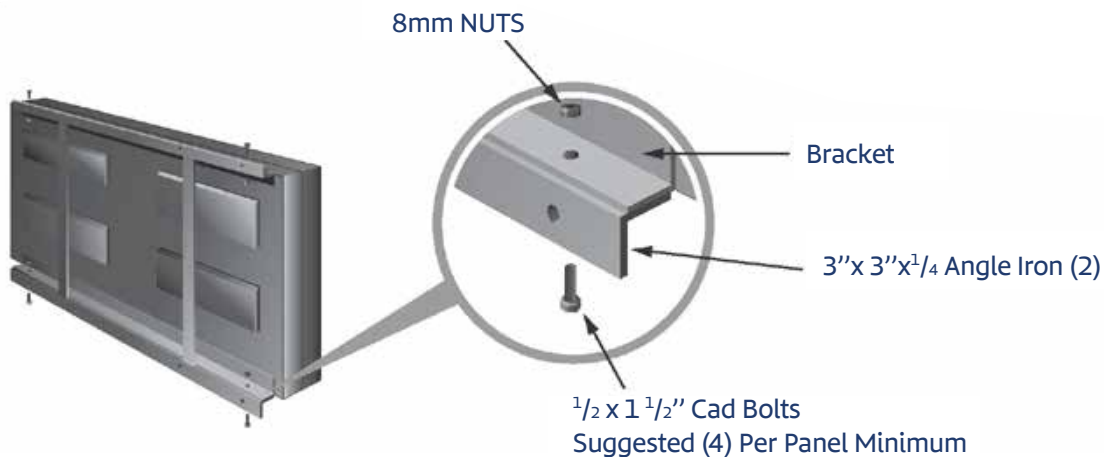
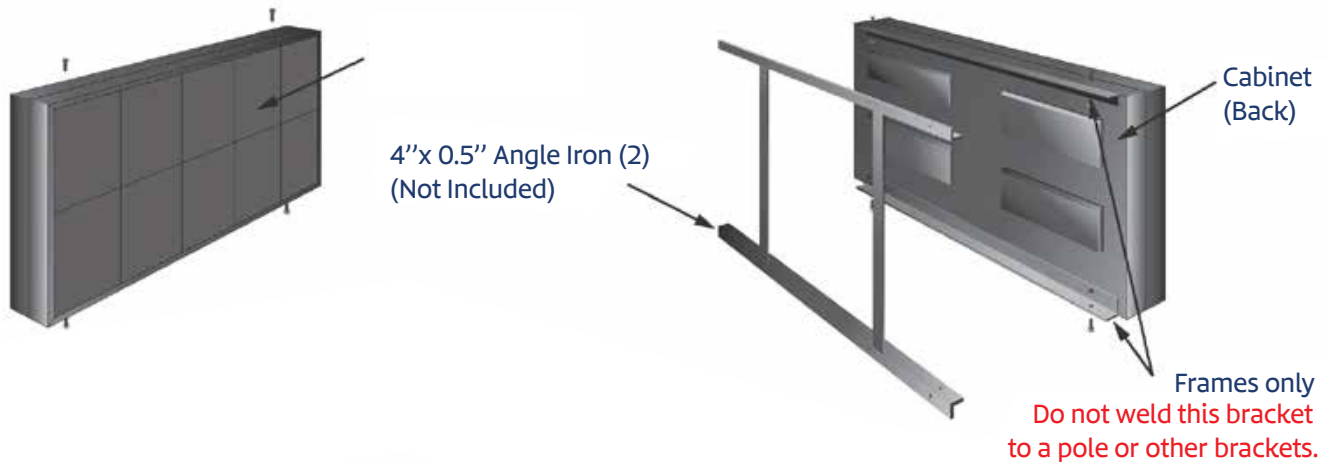
Note: It is very important that you check with local building and planning department for codes and laws regarding signs and their installation.

* Actual product may differ in size and design from drawings shown above



BASIC INSTALLATION

Standard Radiant C Bracketing for mounting to wall or structure



CAUTION

- DO NOT WELD any part of the cabinet or the General Bracket; Use only bolts and brackets
- DO NOT drill additional holes into the cabinet.
- DO NOT house the inside other enclosures.
- These actions, including but not limited to. VOID all warranties.

Note: It is very important that you check with local building and planning department for codes and laws regarding signs and their installation.

* Actual product may differ in size and design from drawings shown above