

Fig. 1

<p>RV Custom Products 14004 Anson Ave. Santa Fe Springs, CA 90670</p>	
<p>Battery Disconnects - Partial Schematic</p>	<p>REV</p>
<p>Date: 3/18/2015 2:16:38 PM</p>	<p>Sheet: 1/9</p>

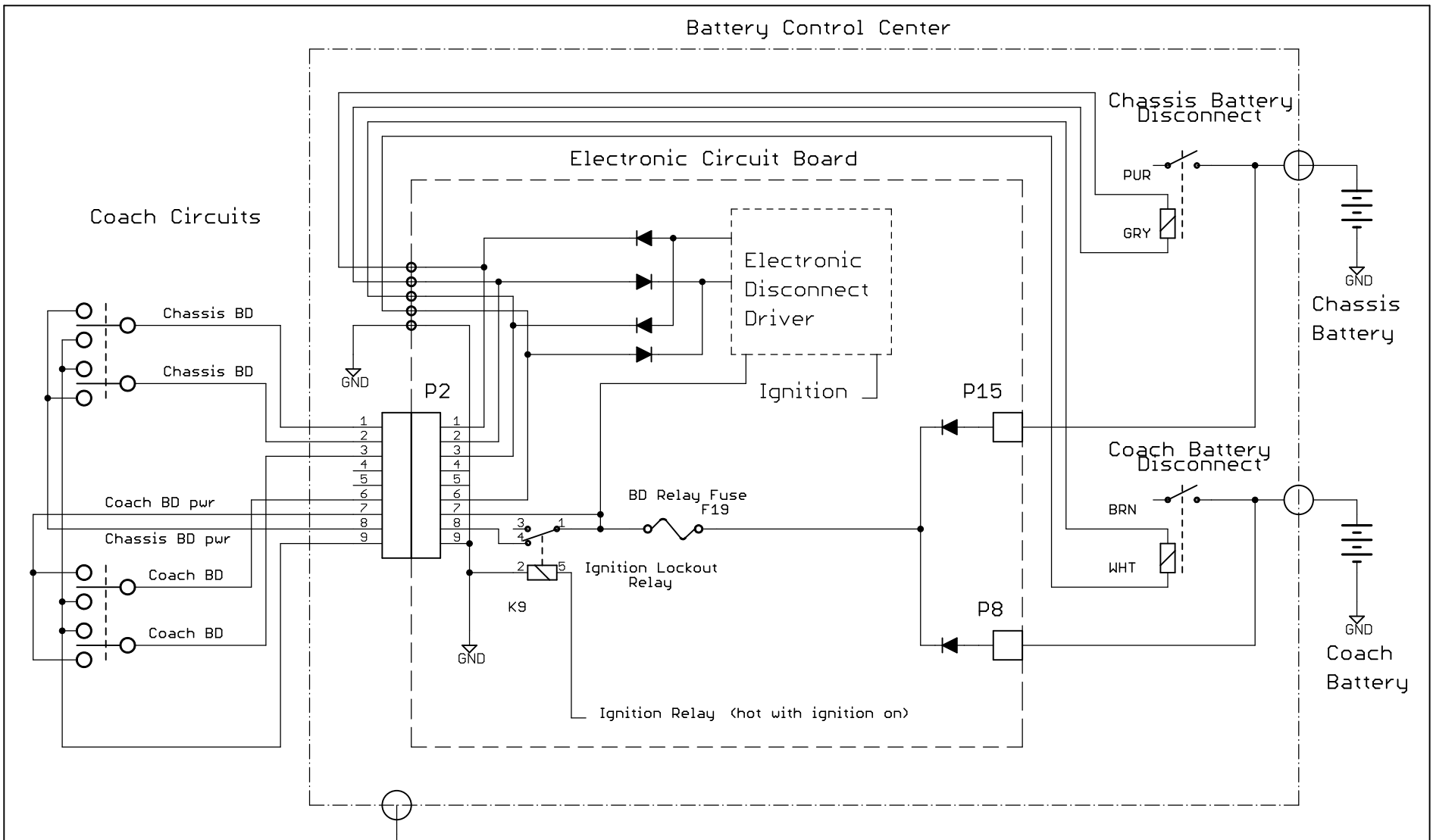
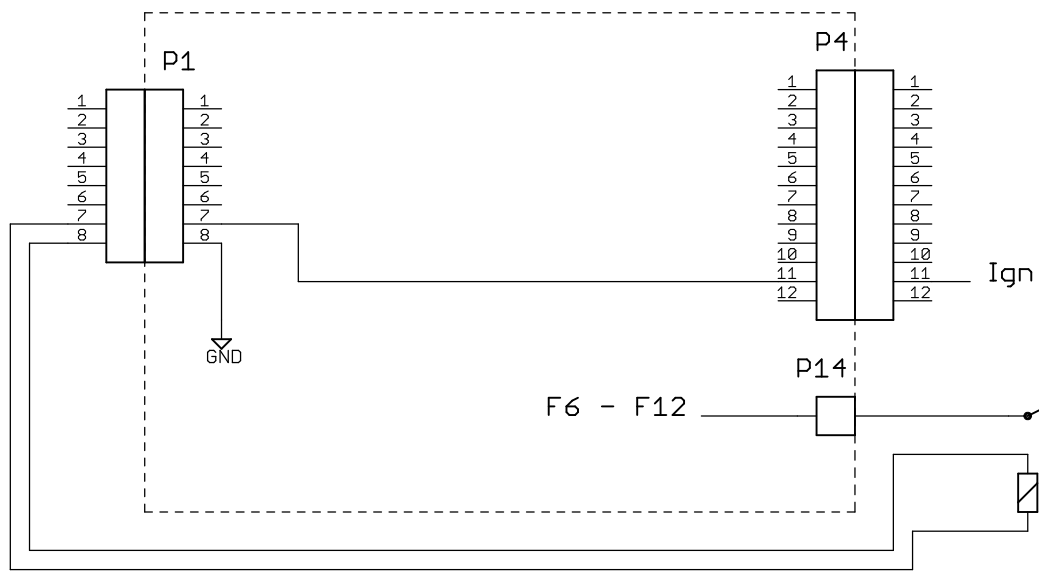


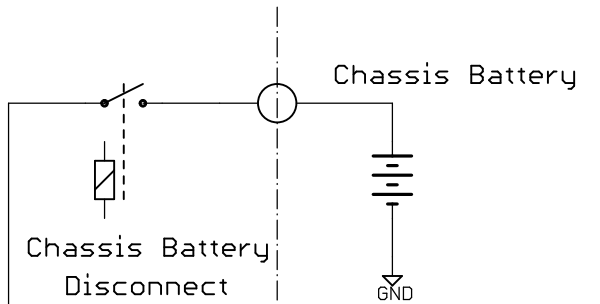
Fig. 2

<p>RV Custom Products 14004 Anson Ave. Santa Fe Springs, CA 90670</p>	
<p>Battery Disconnects—partial schematic</p>	<p>REV</p>
<p>Date: 3/18/2015 2:16:38 PM</p>	<p>Sheet: 2/9</p>

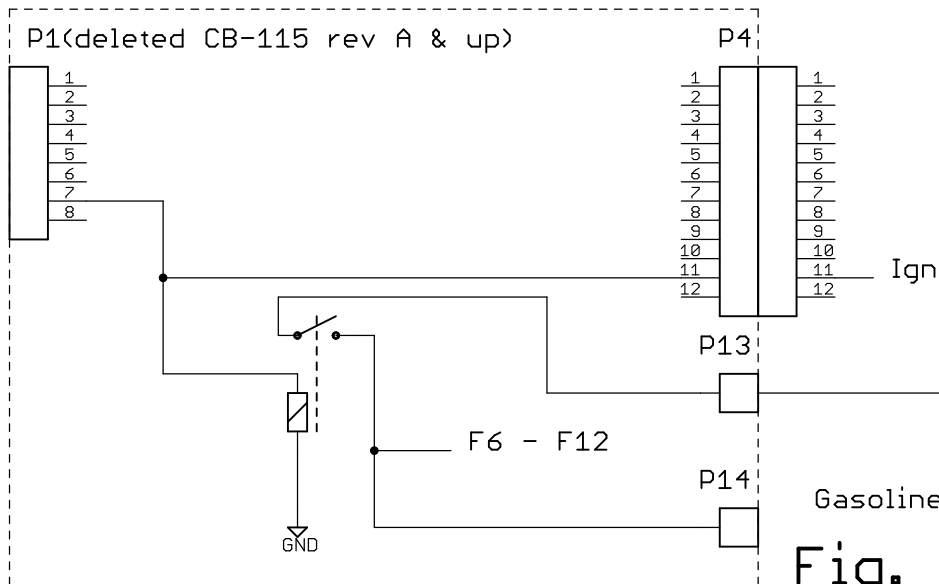
Electronic Circuit Board



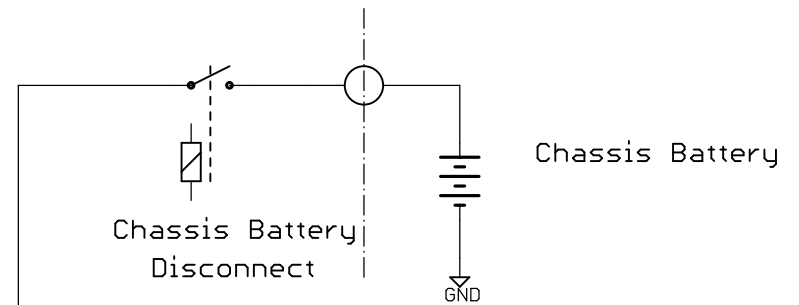
Box mounted relay
CB-200 rev E and below



Electronic Circuit Board



Board mounted relay
CB-200 rev F & up



Gasoline
Fig. 3

RV Custom Products

14004 Anson Ave.

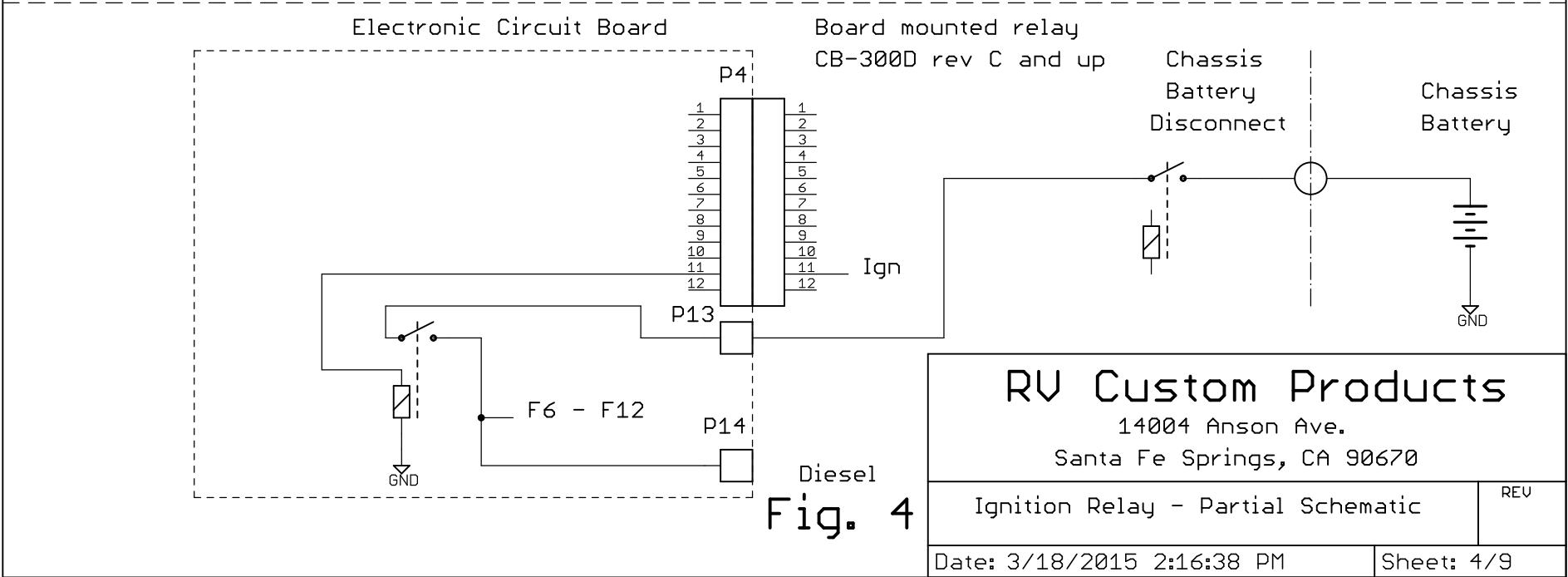
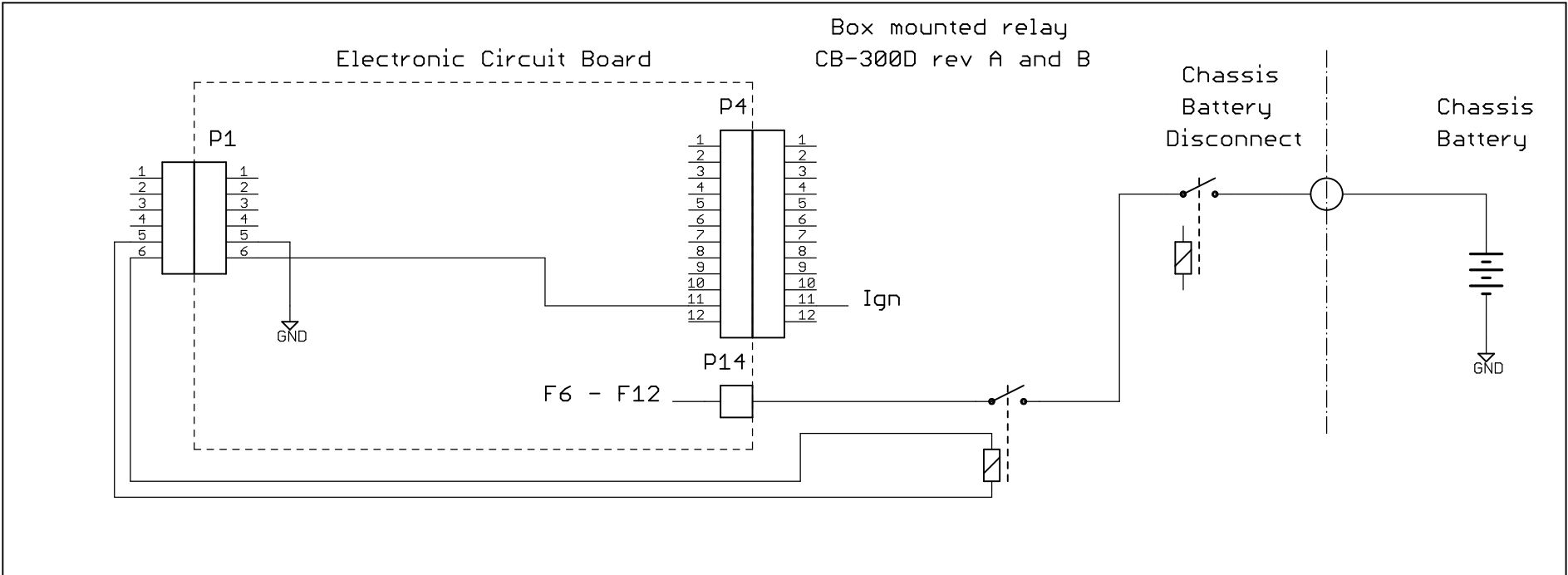
Santa Fe Springs, CA 90670

Ignition Relay - Partial Schematic

REV

Date: 3/18/2015 2:16:38 PM

Sheet: 3/9



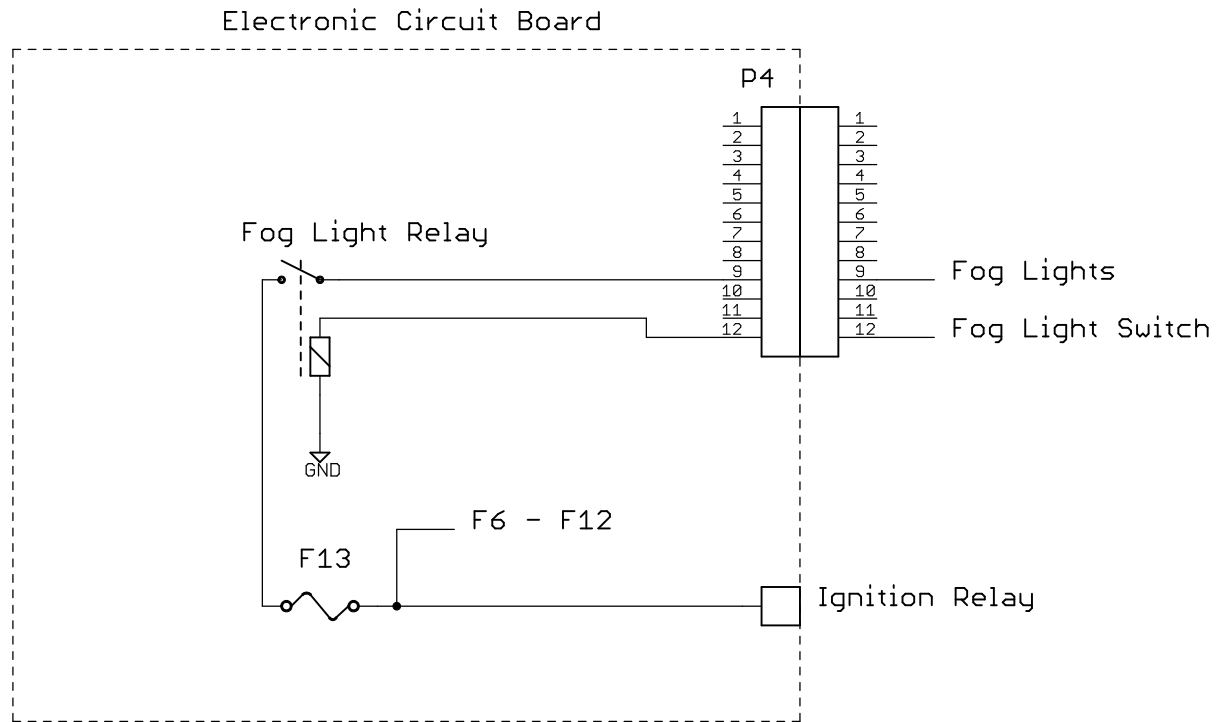


Fig. 5

<p>RV Custom Products 14004 Anson Ave. Santa Fe Springs, CA 90670</p>	
<p>Fog Light Relay - Partial Schematic</p>	<p>REV</p>
<p>Date: 3/18/2015 2:16:38 PM</p>	<p>Sheet: 5/9</p>

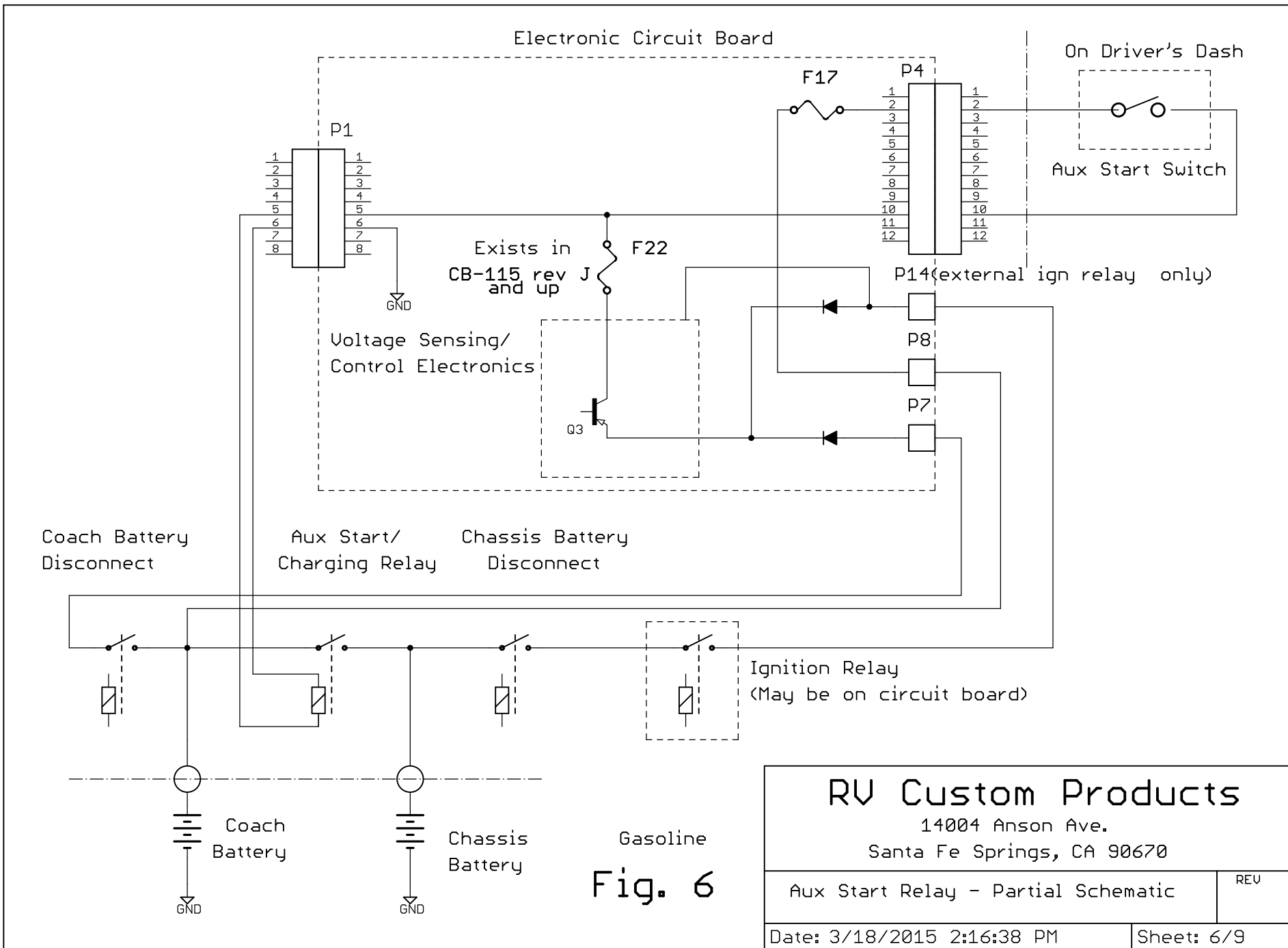
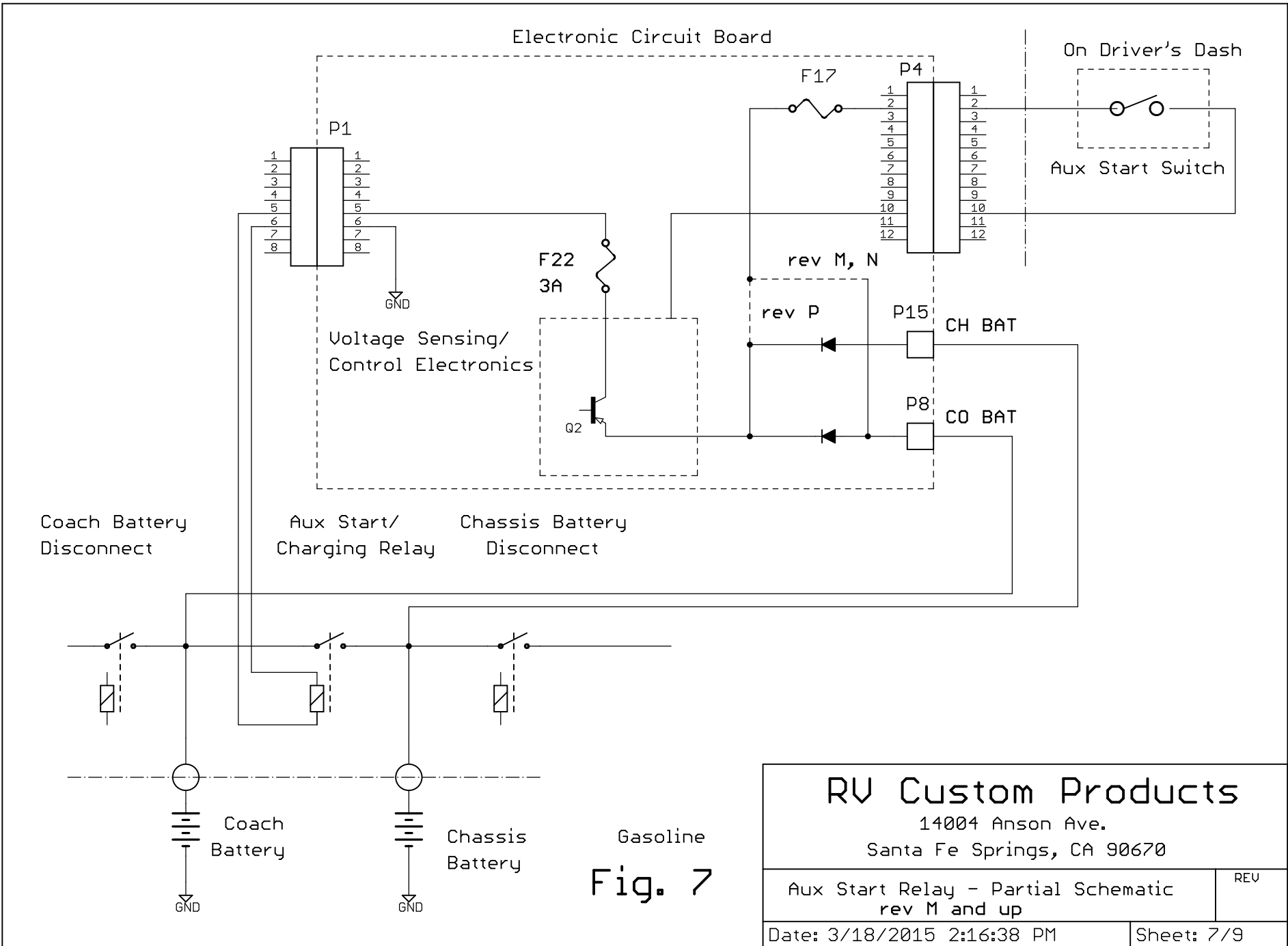
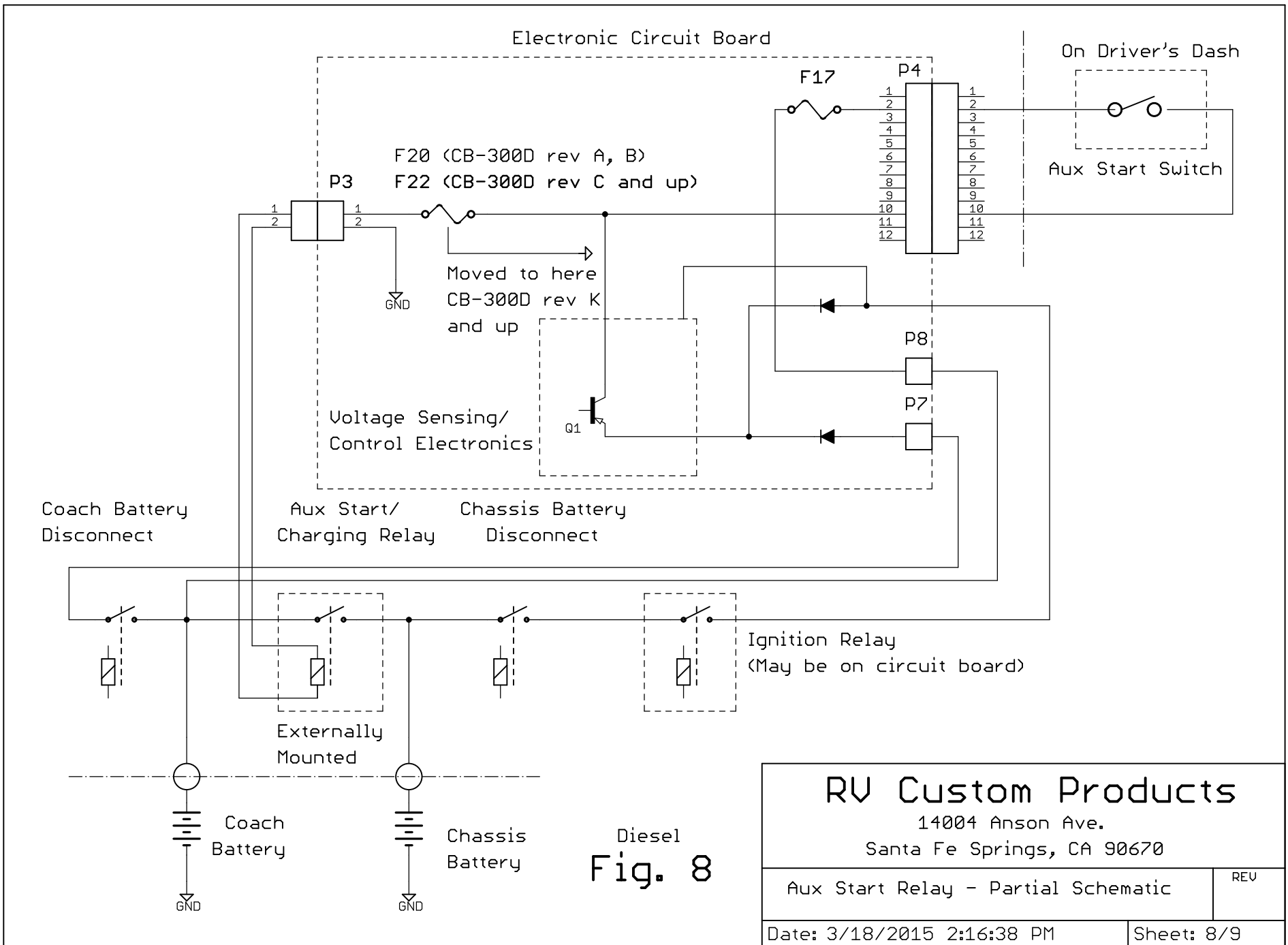


Fig. 6



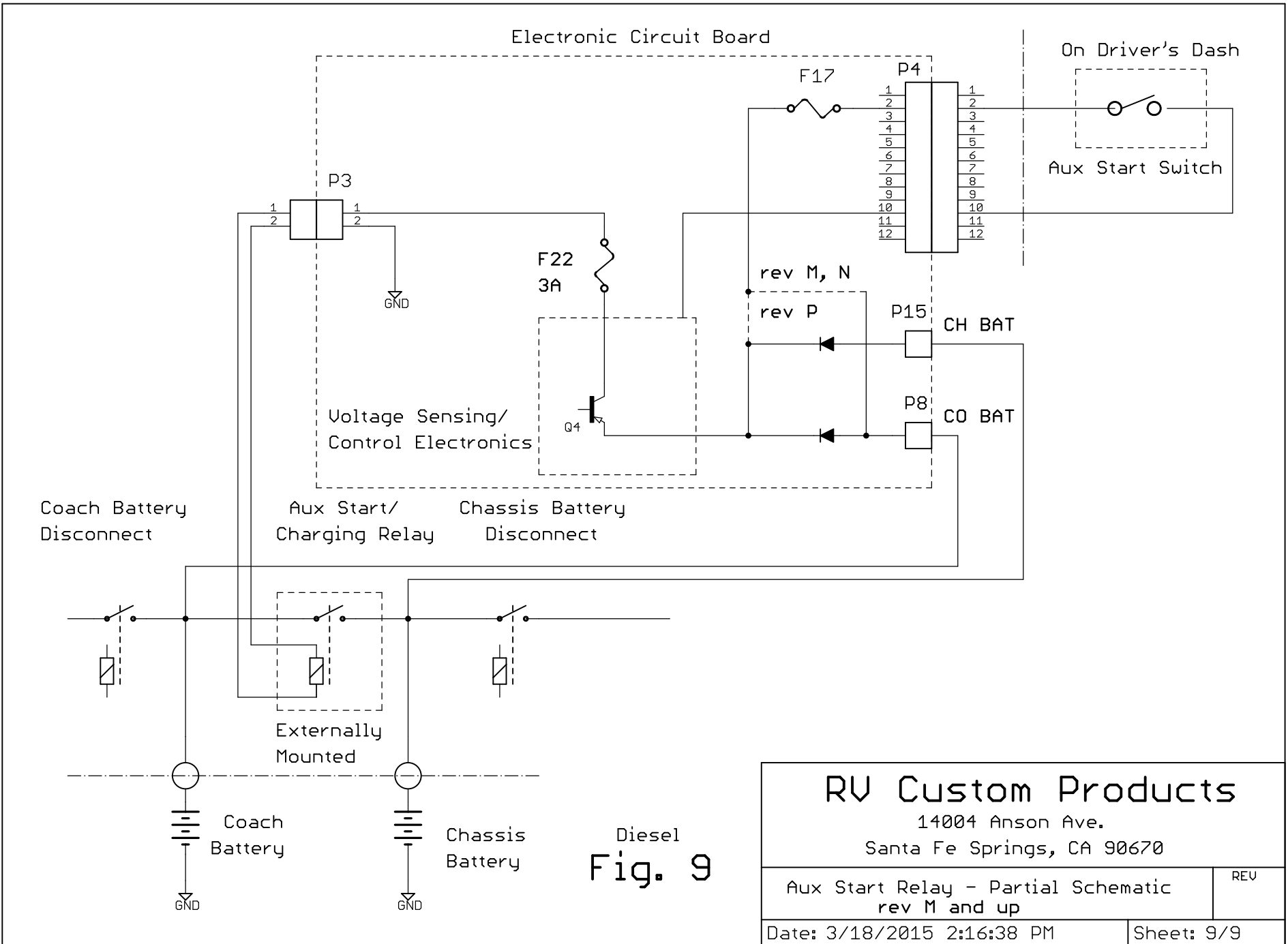
Gasoline
Fig. 7

<p>RV Custom Products 14004 Anson Ave. Santa Fe Springs, CA 90670</p>	
<p>Aux Start Relay - Partial Schematic rev M and up</p>	<p>REV</p>
<p>Date: 3/18/2015 2:16:38 PM</p>	<p>Sheet: 7/9</p>



Diesel
Fig. 8

<p>RV Custom Products 14004 Anson Ave. Santa Fe Springs, CA 90670</p>	
<p>Aux Start Relay - Partial Schematic</p>	<p>REV</p>
<p>Date: 3/18/2015 2:16:38 PM</p>	<p>Sheet: 8/9</p>



Diesel
Fig. 9

RV Custom Products 14004 Anson Ave. Santa Fe Springs, CA 90670	
Aux Start Relay - Partial Schematic rev M and up	REV
Date: 3/18/2015 2:16:38 PM	Sheet: 9/9