

# AIR MOBILE RESCUER

“Powerful... Portable... Efficient... Simple!”



## **CLEAN WATER IS AN ABSOLUTE "NON-NEGOTIABLE".**

The lack of clean water will wipe out whole populations / stop armies / and, if left unchecked completely wipe out man-kind.

We have developed a HIGHLY PORTABLE MACHINE that will take the most contaminated water and make it pure on less electricity than a light bulb.

You are about to learn about the "near miraculous" Air Mobile Rescuer water purifier.

## PORTABLE

26 LBS / FITS INTO OVERHEAD BIN ON  
COMMERCIAL AIRLINER

## EFFICIENT

DELIVERS 20-25 GALLONS PER HOUR ON 54  
WATTS! (AC 120/60 240/50 - 12 VOLTS)

## POWERFUL

OZONE /UV 35,000 TIMES  
MORE **POWERFUL** THAN  
CHLORINE

## SIMPLE

SETS UP IN 1 MINUTE



THE  
RESCUER



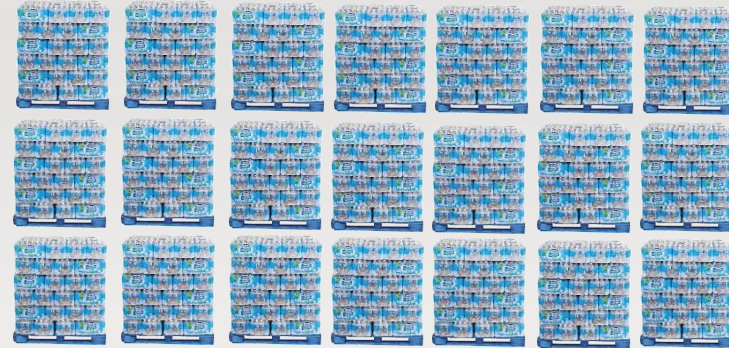
=



**3** Pallets in one day  
**4,800 Lbs.**



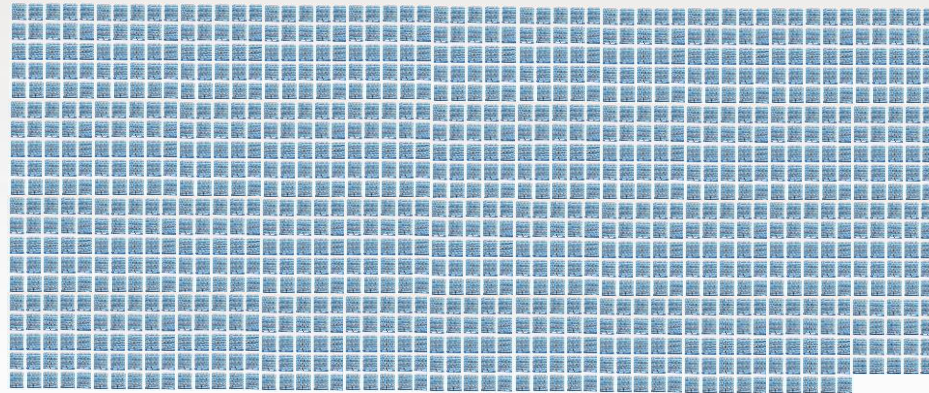
=



**21** Pallets in one week  
**33,600 Lbs.**



=



**1,095** Pallets in one year!  
**1,725,000 Lbs.**

THE  
RESCUER



### URBAN

NEW ORLEANS,  
INDIA, PAKISTAN  
(KARACHI)

### COLD

JAPAN, NEPAL,  
PAKISTAN, ALASKA

### JUNGLE

SOUTH AMERIC,  
INDONESIA INDIA

### RAIN FOREST

SOUTH AMERICA,  
SOUTHEAST ASIA

### HIGH ALTITUDE

NEPAL,  
PAKISTAN

### DESERT

NORTH AFRICA

### MAJOR DISASTERS

TSUNAMIS  
EARTHQUAKES  
HURRICANES  
CYCLONES  
TYPHOONS  
FLOODING  
FAMINE WAR etc.

### HOT

INDIA (125  
DEGREES)



### REFUGEE

CAMPS SOUTH  
SUDAN, UGANDA,  
SYRIA

### HOSTILE

SOUTH SUDAN,  
SYRIA, PAKISTAN,  
NORTH KOREA

RADIATION  
(FUKUSHIMA)

HUMID  
AMAZON,  
SOUTHEAST ASIA

1300+ UNITS IN 47 COUNTRIES - MULTIPLE ENVIRONMENTS

**International Red Cross**

Samaritans Purse

**UN World Food Program**

Operation Blessing

Christian Broadcasting Network

Christian Television Network

Reach Out To Haiti

World Compassion ABC

Love A Child

International Mission Board

**UNICEF**

**Doctors Without Borders**

YWAM

East Coast Christian Center

New Life

Mission Aviation Fellowship

**USAID**

Remote Area Medical

The Great Outdoors

Water For The World

Scores Of Individual Mission Organizations

Scores Of Individuals Who Fund Units For Free Deployments

Wycliffe

LDS

Food For The Poor

Harris Rosen

Calvary Chapel

South American Mission (SAM)

PUMA (Pennsylvania United Medical Association)

**Philippine Air Force**

OFNAC - Haiti

Luka - Thailand

**Peruvian Air Force**

**Ecuador Air Force**

Arica

**Team Rubicon**

H.E.R.O.

# BASICS OF A UV/OZONE VESSEL

5-Way Purification →





Organisms	Energy dosage of ultraviolet radiation in $\mu\text{W}/\text{cm}$ need to kill factor	
	90%	100%
<b>Bacteria</b>		
Bacillus anthracis-Anthrax	4520	8700
Bacillus anthracis spores-Anthrax spors	24,320	46,200
Bacillus magaterium sp. (spors)	2730	5200
Bacillus magaterium sp. (veg.)	1300	2500
Bacillus paratyphusus	3200	6100
Bacillus subtilis spores	11,600	22,000
Bacillus subtilis	5800	11,000
Clostridium Tetani	13,000	22,000
Corynebacterium Diphtheriae	3370	6510
Ebertelia typhosa	2140	4100
Escherichia coli	3000	6600
Legionella bozemanil	3500	7000
Legionella dumoffii	5500	11,000
Legionella gormanii	4900	9800
Legionella micdadei	3100	3100
Legionella longbeachee	2900	5800
Legionella pneumophila	3800	7600
Leptospiraanicola-Infectious Jaundice	3150	6000

The following is a UV industrial standard table showing the kill factor of the UV germicidal lamp contained in the Air Mobile rescuer emits a 40,000 energy dose.

According to this table the lamp kills 100% 53 known bacteria, viruses, protozoa, yeast, and molds.

# TECHNICAL DATA SHEET

(System specification, operating characteristics, and claims)



Micrococcus candidus	6050	12,300
Micrococcus sphaeroides	1000	15,400
Mycobacterium tuberculosis	6200	10,000
Neisseria catarrhalis	4400	8500
Phytomonas tumefaciens	4400	8000
Proteus vulgaris	3000	6600
Pseudomonas aeruginosa	5500	10,500
Pseudomonas Fluorescens	3500	6600
Salmonella enteritidis	4000	7600
Salmonella paratyphi – Enteric Fever	3200	6100
Salmonella typhosa- Typhoid Fever	2150	4100
Salmonella typhimurium	8000	15,200
Sarcina Lutea	19,700	26,400

Serratia Marcesens	2420	6160
Shigella Dyseteriae-Dysentery	2200	4200
Shigella flexneri- Dysentery	1700	3400
Shigella paradysenteriae	1680	3400
Spirillum rubrum	4400	6160
Staphylococcus Albus	1840	5720
Staphylococcus Aerius	2600	6600
Staphylococcus Hemolyticus	2160	5500
Staphylococcus Lactis	6150	8800
Staphylococcus Viridans	2000	3800
Vibrio Comma - Cholera	3375	6500
<b>Molds</b>	<b>90%</b>	<b>100%</b>
Aspergillius Flavus	60,000	99,000
Aspergillius Glaucus	44,000	88,000
Aspergillius niger	132,000	330,000

# TECHNICAL DATA SHEET

(System specification, operating characteristics, and claims)

<b>Mucor racemosus A</b>	<b>17,000</b>	<b>35,200</b>
Mucor racemosus B	17,000	35,200
Oospora lactis	5000	11,000
Penicillium Expansum	13,000	22,000
Penicillium Roqueforti	13,000	26,400
Penicillium Digitatum	44,000	88,000
Rhisopus Nigricans	111,000	220,000
<b>Protozoa</b>	<b>90%</b>	<b>100%</b>
Chlorella Vulgaris	13,000	22,000
Nematode Eggs	4,000	92,000
Paramecium	11,000	20,000

<b>Virus</b>	<b>90%</b>	<b>100%</b>
Bacteriophage-E.Coli	2600	6600
Infectious Hepatitis	5800	8000
Influenza	3400	6600
Polivirus – Poliomyelitis	3150	6600
Tobacco Mosaic	240000	440000
<b>Yeast</b>	<b>90%</b>	<b>100%</b>
Brewers Yeast	3300	6600
Common Yeast Cake	6000	13200
Saccharomyces Carevisiae	6000	13200
Saccharomyces Ellipsoideus	6000	13200
Saccharomyces spores	8000	17600

# TECHNICAL DATA SHEET

(System specification, operating characteristics, and claims)

American, British and Hong Kong laboratories have tested the Dalton Sterasyl Cartridge (Stage 2 Function) with the following results....

**NSF 42** – exceeds 85% particle 0.05 through 1.0 Micron reduction

**NSF 53-** meets 99.5% cysts and 1.0 NTU turbidity reduction

**Bacteria Reduction** – 99.99%

Removed 100% Shigella Dypenteriae, Salmonella Typhi, and Vibrio Cholerae

Heavy Metals Reduction 99.5% – 99.9%

Visit the Doulton Water Filter website at [www.DoultonUSA.com](http://www.DoultonUSA.com) for additional technical information and claims.

# TECHNICAL DATA SHEET

(System specification, operating characteristics, and claims)

# DATA SHEET

**POWER REQUIREMENT** → 12V Or 110-240V

**POWER DRAW** → 54w

**WATER PRODUCTION** → 20-25 Gph

**DUTY CYCLE** → 8 Hours Recommended

**LIFE CYCLE OF UV** → 10,000 On /Off Cycles

**UV INTENSITY** → 40,000 Microwatt Ssc

**WEIGHT** → 26 Lbs Or 11.8 Kg

**DIMENSIONS** → 19.2" X 15.2" X 7.3

# COMPONENT SERVICING

**SUCTION SCREEN** → SERVICE NOT NEEDED

**SUCTION FILTER** → 1000 GAL DEPENDING WATER QUALITY/PARTICULATE

**CERAMIC PER-FILTER** → CLEANABLE

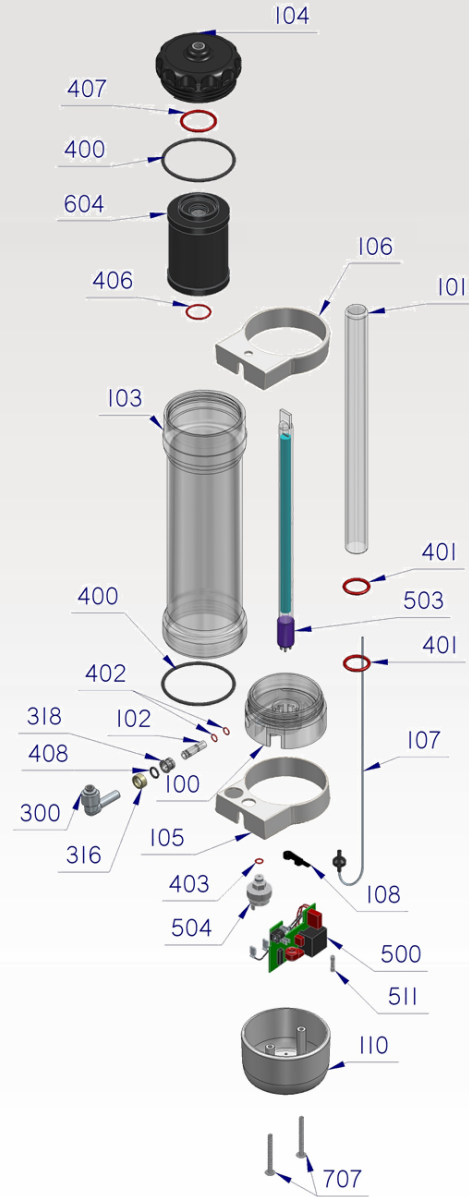
**PURIFICATION LAMP** → 10,000 ON/OFF CYCLES

**PURIFICATION LAMP** → 10,000 GAL +

# AIR MOBILE RESCUER

## REACTOR EXPLODED DIAGRAM AND PARTS LIST

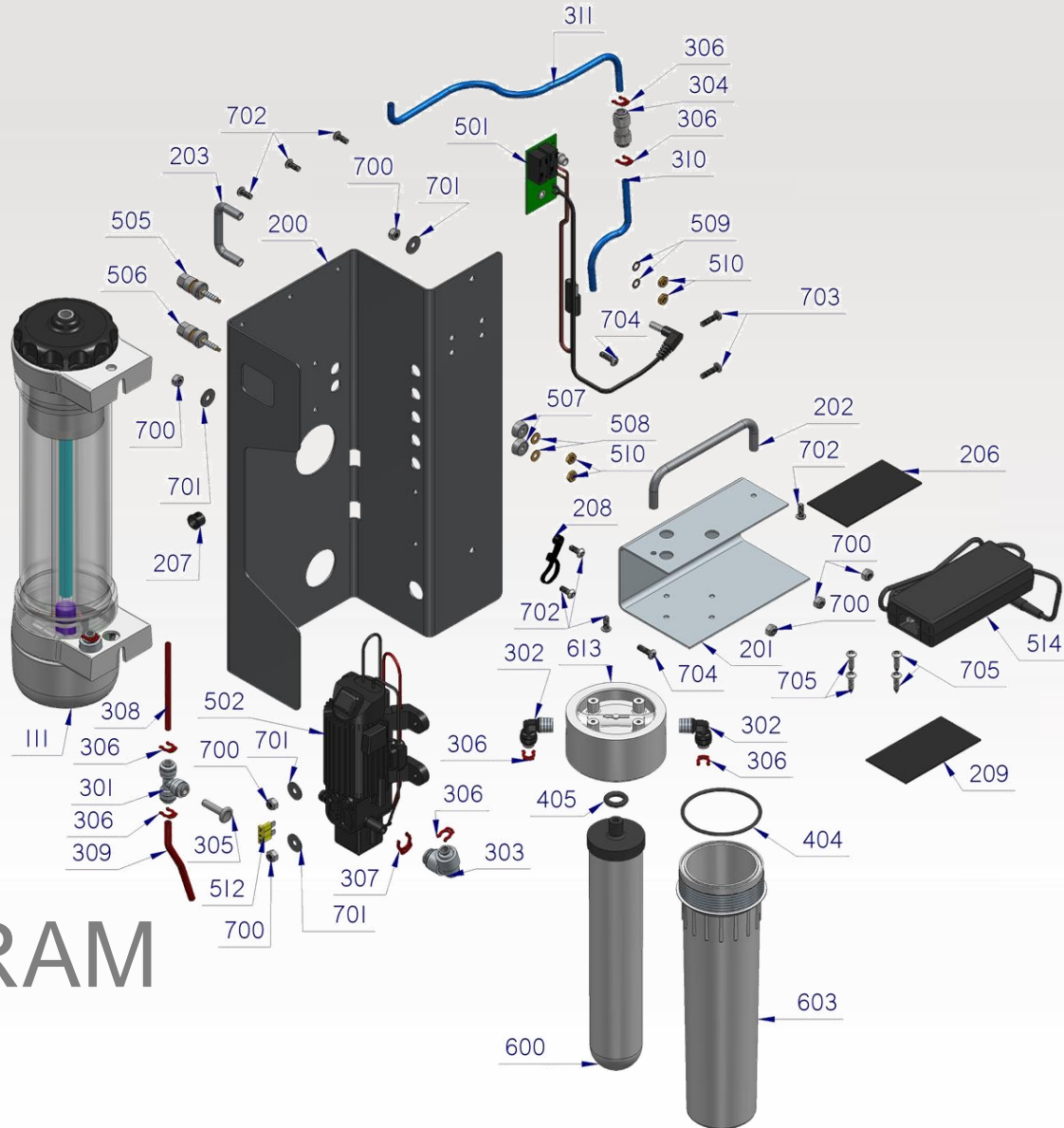
### LIST



- AMMR-100 BOTTOM CAP
- AMMR-101 QUARTS SLEEVE
- AMMR-103 REACTOR CYLINDER
- AMMR-104 TOP CAP
- AMMR-105 BOTTOM RING MOUNT
- AMMR-106 TOP RING MOUNT
- AMMR-107 O-ZONE CHECK VALVE
- AMMR-108 UV BULB RETAINER
- AMMR-109 VENTURI ASSEMBLY
- AMMR-102 VENTURI
- AMMR-402 VENTURI O-RING
- AMMR-110 BOTTOM COVER
- AMMR-300 .375-.25 90° MALE TO FEMALE
- AMMR-316 .375 PRESS IN RING
- AMMR-318 .375 RETAINER RING CLIP
- AMMR-400 REACTOR O-RING
- AMMR-401 QUARTS SLEEVE O-RING
- AMMR-403 PRESSURE SWITCH O-RING
- AMMR-406 CARBON FILTER-QUARTS SLEEVE O-RING
- AMMR-407 CARBON FILTER -CAP O-RING
- AMMR-408 .375 JOHN GUEST O-RING
- AMMR-500 BALLAST BOARD
- AMMR-503 UV BULB
- AMMR-504 PRESSURE SWITCH
- AMMR-511 2 AMP FUSE
- AMMR-604 CARBON FILTER
- AMMR-706 UV BULB RETAINER SCREW
- AMMR-707 BOTTOM COVER MOUNT SCREW

DIAGRAM

# AIR MOBILE RESCUE CHASSY ASSEMBLY AND PARTS LIST



- |          |                                    |  |
|----------|------------------------------------|--|
| AMMR-111 | REACTOR ASSEMBLY                   |  |
| AMMR-200 | CHASSE MAIN                        |  |
| AMMR-201 | CHASSE POWER SHELF                 |  |
| AMMR-202 | BIG HANDLE                         |  |
| AMMR-203 | SMALL HANDLE                       |  |
| AMMR-206 | POWER SUPPLY LOOP VELCRO           |  |
| AMMR-207 | TUBING PROTECTOR                   |  |
| AMMR-208 | ZIP TIE TUBE GUIDE                 |  |
| AMMR-209 | POWER SUPPLY HOOK VELCRO           |  |
| AMMR-303 | .25-.375 90° FEMALE TO FEMALE      |  |
| AMMR-306 | .25 RED C-CLIP                     |  |
| AMMR-307 | .375 RED C-CLIP                    |  |
| AMMR-319 | RED TUBING ASSEMBLY                |  |
| AMMR-301 | .25 T-FITTING                      |  |
| AMMR-305 | .25 PLUG                           |  |
| AMMR-306 | .25 RED C-CLIP                     |  |
| AMMR-308 | .25 SHORT RED TUBE                 |  |
| AMMR-309 | .25 LONG RED TUBE                  |  |
| AMMR-320 | BLUE TUBING ASSEMBLY               |  |
| AMMR-304 | .25-.25 STRAIGHT CONNECTOR         |  |
| AMMR-306 | .25 RED C-CLIP                     |  |
| AMMR-310 | .25 SHORT BLUE TUBE                |  |
| AMMR-311 | .25 LONG BLUE TUBE                 |  |
| AMMR-501 | SWITCH BOARD                       |  |
| AMMR-502 | PUMP                               |  |
| AMMR-505 | RED BINDING POST                   |  |
| AMMR-506 | BLACK BINDING POST                 |  |
| AMMR-507 | BINDING POST SPACER                |  |
| AMMR-508 | BINDING POST FLAT WASHER           |  |
| AMMR-509 | BINDING POST LOCK WASHER           |  |
| AMMR-510 | BINDING POST NUT                   |  |
| AMMR-512 | 5 AMP FUSE                         |  |
| AMMR-514 | POWER SUPPLY                       |  |
| AMMR-601 | CERAMIC FILTER HOUSING ASSEMBLY    |  |
| AMMR-404 | CERAMIC FILTER HOUSING O-RING      |  |
| AMMR-405 | CERAMIC FILTER O-RING              |  |
| AMMR-600 | CERAMIC FILTER                     |  |
| AMMR-602 | CERAMIC FILTER HOUSING CAP         |  |
| AMMR-302 | .25-.25 NPTF 90°                   |  |
| AMMR-306 | .25 RED C-CLIP                     |  |
| AMMR-613 | CERAMIC FILTER HOUSING CAP         |  |
| AMMR-603 | CERAMIC FILTER HOUSING CYLINDER    |  |
| AMMR-700 | 10-32 NYLOCK NUT                   |  |
| AMMR-701 | 16-8 FLAT WASHER                   |  |
| AMMR-702 | CHASSE SCREW                       |  |
| AMMR-703 | PUMP MOUNT SCREW                   |  |
| AMMR-704 | REACTOR MOUNT SCREW                |  |
| AMMR-705 | CERAMIC FILTER HOUSING MOUNT SCREW |  |

DIAGRAM



# IN THE CASE

- International plug kit
- 3 Stabilizing Feet
- Male 12v power plug
- Female 12v power plug
- Standard 110v plug
- Gloves and scotch bright pad
- Mushroom mesh filter
- “Magic” tool kit
- Ditch filter
- Spare Ceramic Filter
- 2, 5' 3/8" Tubing  
(standard & silver impregnated)
- Spout
- Strap wrench
- Manual



# IN THE “MAGIC BOX” TOOL KIT

Within every “magic box” tool kit there is...

- O-rings- 2 ceramic filter, 1 main seal, 1 small carbon filter seal
- John Guest Plug
- Blue Cleaning tube
- Clear tubing extension tube
- John Guest tool
- Fuses- 2 2amp, 1 10amp, 1 5amp,
- Tools- crescent wrench, screwdriver, pliers, syringe,
- USB- USB with manual and videos, USB adapters





THANK YOU

