

# BUTTERFLY VALVES



**EVEREST VALVE**  
C O M P A N Y

# EVEREST VALVE C O M P A N Y

## OUR MISSION

Everest Valve Company is dedicated to engineering and fabricating valves for demanding customer specifications including:

- Chemical Processing
- Refining
- Power Generation
- Pipeline
- Food Processing
- Manufacturing

Unlike most valve manufacturers, Everest does not stock a standard line that may have to be modified. Rather, we respond rapidly to exact customer needs and produce valves tailored precisely to the service application including:

- High and Low Temperature
- High Pressure
- Vacuum
- Severe Fluid Service

From order entry, through design, manufacturing, fabrication, and testing, our dedication is evident in producing high quality, application-specific valves for exacting customer specifications.

## BUTTERFLY VALVES

Butterfly Valves are simple flow control devices that use a pivoting disc to open, close, or throttle flow. Butterfly Valves provide trouble free service in many chemical, petro-chemical, water, and power generation industries. Everest Butterfly Valves are designed and manufactured to provide control and shutoff of flowing gases, liquids, or fluidized solids. These include Double Flange, Weld End, Lug and Wafer Type Valve Bodies.

Standards:  
API 609, 598, 607  
ASME B16.5, B16.34, B16.47(A & B), B31.1, B31.3, ETC.

## VALVE AND DISC MATERIALS

Stainless Steel 316  
Stainless Steel 304  
Stainless Steel H Grades  
Alloy 20  
Duplex Stainless Steel  
Ferrallium  
Carbon & Alloy Steel  
Hastelloy  
Teflon  
Grafoil  
Gylon  
Kel-F  
Viton  
Inconel  
17-4PH Stainless Steel  
Monel  
Titanium  
Various Alloy Grades  
Cor-Ten Steel  
Nickel Alloys  
Chrome Moly  
Or Customer Specs

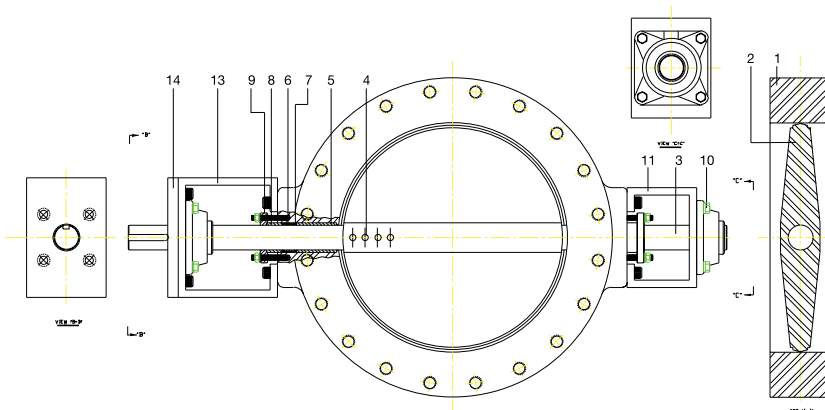
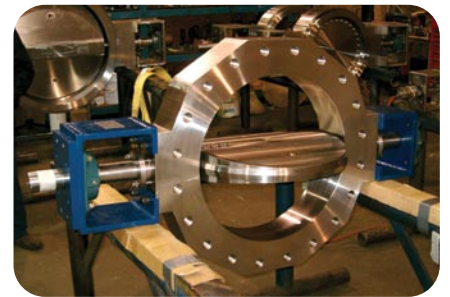
## CONTROL VALVES

### DESIGN FEATURES

- Sizes from 2" to 144"
- Temperature rating – 325°F to 1800°F
- ANSI rating from 150# to 2500#
- Wafer Body, Lug Body, (RF of RTJ) flanged end, Weld ends
- Body and disc sealing areas precision machined, available with Stellite, Ultimate or other overlay
- Electric, pneumatic, or hydraulic actuators with positioners factory mounted or prepped for customer mounting

### GENERAL DESCRIPTION

Control valves are made to our existing field tested proven design in a variety of materials such as Stainless Steel 316, 304 (&H grades), Alloy 20, Duplex SS, Ferrallium, Carbon and Alloy Steel, Hastelloy, and Inconel in various grades or to customer specs. Metal-to-Metal Seating is available. We provide Teflon, Grafoil, Gylon or Ceramic Packing or to customer specs.



24"-150# Lug Type Butterfly Control Valve (EBC-1024L)  
ANSI Leakage - Class II

Item No.	Part Name	Type of Mat'l
1	Valve Body	316 S/S
2	Disc	316L S/S
3	Shaft	316 S/S
4	Conn. Pins	316 S/S
5	Bushing	Nitronic-60 w/Moly Coat
6	Packing	Grafoil
7	Packing	JC 1630G
8	Follower	304 S/S
9	Gland	304 S/S
10	Bearing	Dodge
11	Nonpower Saddle	C.S.
13	Operator Saddle	C.S.
14	Operator Mtg. Plate	C.S.

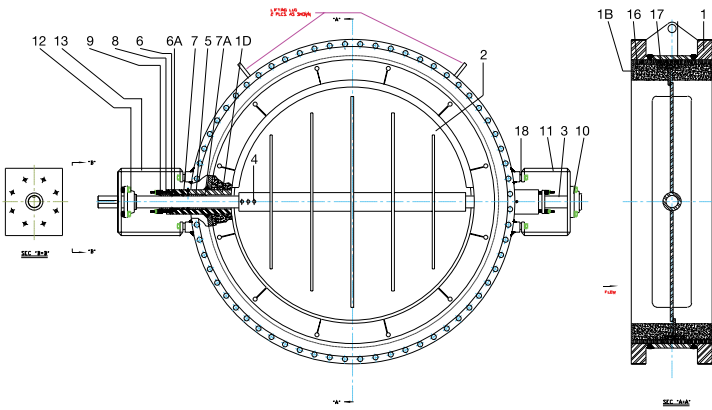
# REFRACTORY LINED VALVES

## DESIGN FEATURES

- Sizes from 6" to 144"
- Temperature up to 1800°F
- Body Material - Carbon Steel, Chrome Moly, or SST
- Body Refractory Material - Vibra Cast RESCO 17EC, 7S etc.
- Seat Area Material - 304 H SST, 321H SST, etc.
- Disc Material - 304H SST, 321H SST, etc
- Disc & Seat Refractory RESCO AA-22
- Seat Purge Ports with manual purging ports
- Grafoil packing, with purging ports
- Manual, pneumatic, or electric actuators

## TYPICAL APPLICATIONS

Fluid Cat Cracking units, flue gas, hot air service



60" Refractory Lined Butterfly Valve (ERBD-1060W)  
ANSI Leakage - Class II

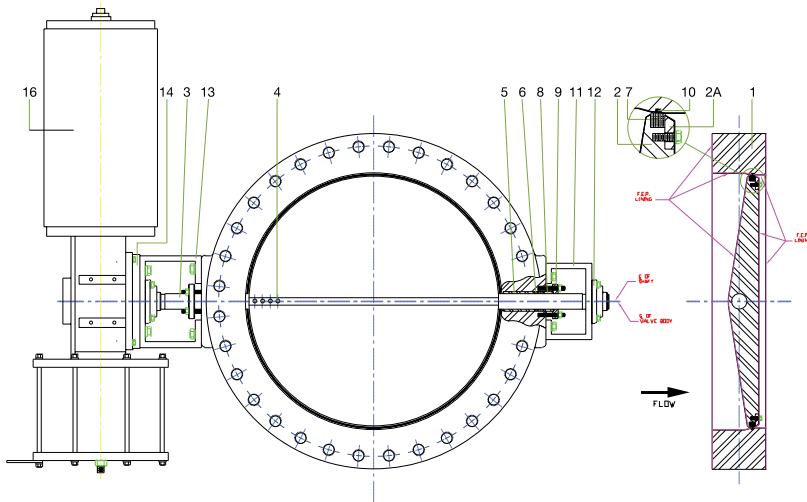


Item No.	Part Name	Type of Mat'l
1	Flange	A 105
1A	Valve Body	A 516 GR-70
1B	Retainer Ring	316 S/S
1D	St. Box	316 H S/S
2	Disc	316 H S/S
3	Shaft	Inconel-718
4	Pin	Inconel-718
5	Bushing	Nitronic-60
6	Packing	John Crane-1625
6A	Packing	Grafoil
7	Packing	Ceramic
7A	Packing	Ceramic
8	Follower	316 S/S
9	Gland	316 S/S
10	Bearing	Dodge LT-700
11	Bearing Saddle	304 S/S
12	Bearing	Dodge SCM
13	Operator Saddle	C.S.
16	Ref. Linig	
17	Seat	316 S/S
18	Spacer	304 S/S

# RESILIENT SEAT VALVES

## DESIGN FEATURES

- Sizes from 12" to 144"
- Pressures, full Vacuum to PSIG
- Temperature rating - 50°F to 450°F
- Disc seal - "J" Seal, Neoprene, Viton, EPDM
- Shaft Packing - Teflon non asbestos
- End Connections - Wafer body, Lug body, (RF or RTJ) Flanged ends, Weld ends
- Leakage- Bubble tight in both directions
- Manual, Pneumatic, or electric actuators



34"-150# Lug Type Butterfly Valve w/Teflon Coating and Pneumatic Actuator (EBV-1034L)  
ANSI Leakage - Class VI



Item No.	Part Name	Type of Mat'l
1	Valve Body	(A105)
2	Disc	(A105)
2A	Retainer Ring	C.S.
3	Shaft	17-4PH S/S
4	Conn. Pins	17-4PH S/S
5	Bushing	G.F. Teflon
6	Packing	G.F. Teflon
7	Disc Seal	G.F. Teflon
8	Follower	304 S/S
9	Gland	304 S/S
10	Seat Seal	Teflon Encapsulated Viton
11	Bearing Saddle	C.S.
12	Bearing	Dodge
13	Operator Saddle	C.S.
14	Opr. Mtg. Plate	C.S.
16	Actuator	Tyco

**DESIGN FEATURES**

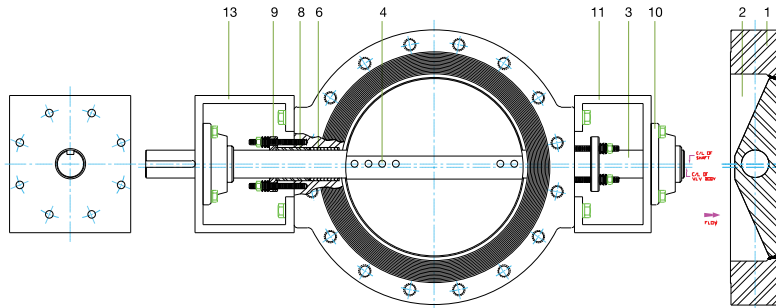
- Basic materials to customer specs
- Sizes from 3" thru 96"
- ANSI rating from 150# to 2500#
- Operating temperatures from -325°F to 1800°F
- Fire Safe Design
- Wafer body, Lug body, (RF or RTJ) Flanged Ends, Weld ends
- Oversize high strength valve shafts
- Laminated Disk Seals - Teflon, Gylon, Grafoil, or Customer Specs
- Packing - Teflon, Teflon & Gylon, Grafoil, Ceramic or Customer Specs
- Body Seats - Stellite, Ultimate or other overlay
- Leak off port(s) on stuffing box(s) - optional
- Fugitive emission seals (Live Load)
- Leakage specification Class IV, V, VI or bubble tight
- Internal & external bearings
- Manual, pneumatic, or electric actuators

**GENERAL DESCRIPTION**

Our high performance Butterfly Valves as standard the use of Laminated Disk Seals for extra tight shut off and long cycle life. We use Teflon, Gylon, Grafoil and Kel-F disc laminations and packing as standard or Will supply materials to customer requirements. The stuffing box is extra deep for double sets of packing with a lantern ring separation. A leak off point is provided in the packing area. Oversized valve shafts with internal and external bearings are standard. Valve trim is equal or better than body alloy, Stellite or ultimate hard facing is available.

**TYPICAL APPLICATIONS**

- 18"- 300# CHEMICAL Processing Plant – Chlorine and HCl Monel body Gylon seals 250°C
- 24"- 600# Crude Oil and Salt Water @ 1480 PSIG, Bubble tight shut off both directions. Carbon Steel, w/ stainless trim
- 16"- 1500# RTJ Carbon Steel Body, SST trim class VI shut off with Grafoil laminations and packing – Ammonia service
- 6" – 600# Chemical Processing Plant- Steam service carbon steel body, stainless trim, Grafoil laminations and packing



18"-150# High Performance Butterfly Valve (EMB-3018L)  
ANSI Leakage - Class IV



**DISC SEALS & STEM PACKING**

- Teflon Disk and Stem Packing  
-250°F to 450°F.
- Gylon Disc, Gylon and Teflon Stem Packing  
-20°F to 500°F
- Grafoil Disc and Stem Packing  
-325°F to 1000°F
- Kel-F Disc, Teflon Stem Packing  
-325°F to 250°F
- Ceramic Disc and Stem Packing  
1000°F to 1800°F

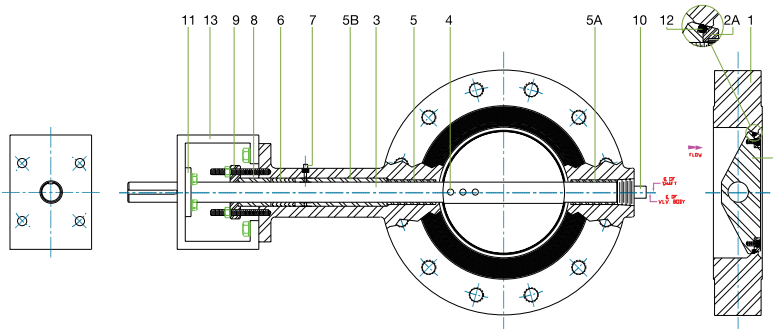
Item No.	Part Name	Type of Mat'l
1	Valve Body	A105
2	Disc	17-4PH S/S
3	Shaft	17-4PH S/S
4	Conn. Pins	17-4PH S/S
6	Packing	Garlock 9000 EVSP
8	Follower	Nitronic-60
9	Gland	304 S/S
10	Bearing	Dodge
11	Bearing Saddle	C.S.
13	Operator Saddle	C.S.

**DESIGN FEATURES**

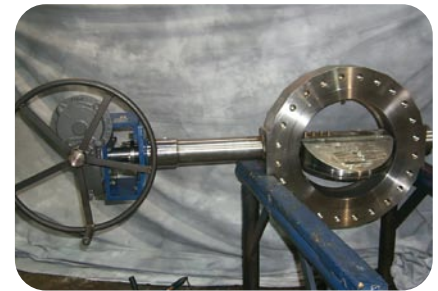
- Sizes from 3" to 72"
- Pressures ANSI 150# to 1500#
- Temperatures from - 325°F to 450°F
- Disc seal - Kel F or Metal to Metal
- Shaft Packing - Teflon
- End Connections- Wafer body, Lug body, (RF or RTJ) Flanged ends, Weld ends
- Leakage Specifications, Bubble Tight, Class VI
- Manual, Pneumatic, or electric actuators

**GENERAL DESCRIPTION**

Cryogenic Butterfly Valves are made to our existing, field tested proven design in 304, 316 Stainless or customer specs. We use high strength extended Stainless shafts with Nitronic bearings and spacers for low temperature isolation. A high finish on the valve seat along with Kel-F laminated disc seal gives bubble tight sealing. Metal to metal seating or Laminated Disc Sealing is available. Teflon Packing with a deep stuffing box provides a leak tight shaft seal.



6"- 600# RF Cryogenic Butterfly Valve (ECLB-6006L)  
ANSI Leakage - Class VI



Item No.	Part Name	Type of Mat'l
1	Valve Body	316 S/S
2	Disc	316 S/S
2A	Retainer Ring	316 S/S
3	Shaft	17-4PH S/S
4	Conn. Pins	17-4PH S/S
5	Power Bushing	Nitronic-60
5A	Non Power Bushing	Nitronic-60
5B	Spacer	316 S/S
6	Packing	G.F. Teflon
7	Purge Plug	316 S/S
8	Follower	304 S/S
9	Gland	304 S/S
10	Plug	316 S/S
11	Snap Ring	Nitronic-60
12	Seat Seal	SS & Grafoil Laminates
13	Operator Saddle	C.S.