

AIR LIFT PERFORMANCE

Performance Suspension

PRO-TECH SERVICES
910-612-2296
98 TALL OAKS DRIVE
CASTLE HAYNE NC 28429
WWW.CUSTOMCARPARTS910.COM

PRODUCT CATALOG



LETTER FROM THE PRESIDENT

Air Lift Company began developing air spring suspension products 75 years ago. The performance and versatility of Air Lift air springs was proven during the early years of stock car racing, where Air Lift-equipped cars were some of the strongest competitors.

We've come a long way since 1949, and we are proud to be a suspension company with a special dedication to performance vehicles. Our engineering team members allow Air Lift Performance to offer you the highest quality products so that there is no compromise to your car's performance or look. Our top priority is to upgrade your style and lower your ride—with maximum adjustability and handling capability.



Kevin Mehig
President, Air Lift Company

*A family-owned suspension specialty company
in Lansing, Michigan, since 1949*

CONTENTS

Testing & Validation	4
Build Your Own Kit.....	5
Choose Your Air Suspension	6
Performance Series Kits	7
Slam Series Kits.....	8
Universal Air Springs.....	9
Choose Your Air Management.....	10
Manual Air Management	11
Air Lift Performance 3P.....	12
Air Lift Performance 3H.....	13
Air Lift Performance 3 Features.....	14
Choose Coilover Suspension	16
Coilover Suspension.....	17
Performance Air Suspension Applications	19
Coilover Applications	26
FLO Airride Tanks	30
Lightweight Aluminum Air Tanks.....	31
Compressors.....	32
Gauges Gauge Panels Valves	32
Compressor Accessories.....	33
Official Air Lift Merchandise.....	34

TESTING & VALIDATION

TESTED AND TRUSTED

Air Lift Performance is driven by precision and passion. For us, "good enough" isn't enough and never has been. Each suspension kit begins with a detailed CAD design and undergoes Finite Element Analysis (FEA) to meet our standards. Prototypes are rigorously tested on real vehicles to ensure customers receive the expected experience.

Our kits aren't just products—they're the tools that fuel the creativity of Low Down Legends. Automotive artists trust Air Lift Performance to deliver the innovation and quality they need to push boundaries and turn their vision into reality.



BUILD YOUR OWN KIT

Design your own #lifeonair with a wide range of performance suspension kit configurations and air management systems tailored to fit your vehicle.

STEP 1

CHOOSE YOUR SUSPENSION:

Performance Air Suspension

Slam Series

Universal Air Springs

Coilovers

Move directly to Step 4

Coil to Air Upgrade Kit
COMING SOON

STEP 2

CHOOSE YOUR AIR MANAGEMENT:

Manual Air Management

Air Lift Performance 3P

Air Lift Performance 3H

STEP 3

CHOOSE YOUR TANK, COMPRESSOR AND HARDWARE KIT: (IF DESIRED)

*Aluminum Tank
Chrome Compressor
Hardware*

*Aluminum Tank
Black Compressor
Hardware*

*FLO Tank
Chrome Compressor
Hardware*

*FLO Tank
Black Compressor
Hardware*

STEP 4

BUY NOW:

Go to:
airliftperformance.com

OR

air-lift.co/dealer
to find a local dealer,
online dealer and
installers

CHOOSE YOUR AIR SUSPENSION



AIR SUSPENSION

PERFORMANCE AIR SUSPENSION KITS

The adjustability you only get with air...
The quality, performance and look you only
get from Air Lift Performance®.

KEY FEATURES

- 1 Adjustable camber plates with high-quality spherical bearings, depending on application
- 2 Compact double-bellow air spring or sleeve-style bags
- 3 Red anodized aluminum accents
- 4 30 levels of damping adjustment, monotube-threaded strut with independent ride height adjustment
- 5 Black chromed strut bodies and powder-coated lower mounts
- 6 Up to 5.8" (147mm) of drop, depending on application
- 7 Vehicle-specific brackets and tabs for brake lines and ABS wiring just like OEM

Most kits also come with braided stainless steel air lines,
and all necessary fittings and hardware for mounting



VW MKIV/
Audi TT MKII
Front Kit
PN: 75524 shown

AIR SUSPENSION

SLAM SERIES KITS

Slam Series Kits: The most economical way to get low with no performance sacrifice over OEM.

KEY FEATURES

- 1 Noise-reducing upper mount
- 2 Durable double-bellow air spring
- 3 Twin-tube construction with vehicle-specific or 9-level adjustable damping
- 4 Powder-coated strut bodies
- 5 Up to 5.8" (147mm) of drop, depending on application

Most kits also come with braided stainless steel air lines, and all necessary fittings and hardware for mounting



AIR SUSPENSION

UNIVERSAL AIR SPRINGS

Whether you're looking to custom-build an air suspension system or for a replacement air spring for your existing set-up, we have you covered. With double-bellows and tapered sleeve, these air springs are a universal solution for almost any custom build.

Air Spring	Part Number	Max Extension	Max Compression	Max Diameter	Max Load @ 100PSI	Design Height
Bellows 2B-5	58535	6.5in 165.1mm	2.8in 71.12mm	5.5in 139.7mm	1,495lb 678kg	4.5in 114.3mm
Dominator D2500	58343	10in 279.4mm	2.8in 71.12mm	7in 177.8mm	2,030lb 921kg	5.5-7.5in 139.7-190.5mm
Dominator D2600	58616	11.5in 317.5mm	2.8in 71.12mm	8in 203.2mm	3,055lb 1,386kg	6.0-9.0in 152.4-228.6mm
Tapered Sleeve	58130	9.5in 241.3mm	4.25in 108.9mm	5.4in 137.2mm	1,216lb 552kg	6.5-8.5in 165.1-215.9mm



CHOOSE YOUR AIR MANAGEMENT



AIR MANAGEMENT MANUAL

Overview

With a manual air management system, you no longer need to worry about wiring and mounting electric valves to your tank like the old days, freeing some usable space in your vehicle. This is perfect for anybody building a car on a budget. You can purchase this system with peace of mind, knowing that you will not find a more complete manual air management system anywhere else on the market.



4-Gallon Tank Kit. PN: 27666 • 1/4" lines, 4-Gal. tank, VIAIR 444C compressor

Simple to Use

- Up is up, down is down. No fancy stuff.

Unlimited Possibilities

- Valves can be mounted anywhere in the vehicle and can be matched with any tank and compressor.

Pneumatic Switch & Gauges

- No electrical or electrical lines, simply add lines to the back and watch the pressure gauges.

Easy Install

- System requires less drilling, no electrical wiring and no manifold.

AIR MANAGEMENT

AIR LIFT PERFORMANCE



Overview

Air Lift Performance 3P combines pressure-based control with the ability to add ride-height sensing technology with the upgrade to height sensors.

Upgrade any 3P system to a 3H system. Includes 4 height sensors, wiring, and all installation hardware. **PN: 27705**

The manifold features threaded FNPT ports and includes either 1/4" or 3/8" airline fittings.



Manifold, controller and free phone app (phone not included)

One-Tap Control

- Control your air spring system presets with a single tap from the Performance 3 controller or the free app.

Disable Sleep Mode

- With sleep mode off, the controller display never dims, giving you faster one-tap access to your presets.

Multilingual

- Switch between English, German, Spanish and French on the fly.

Innovative Control

- The 3P controller includes a full color display and rotatable keypad.

5 Custom Presets

- The system quickly adjusts to and maintains height/pressure.

Rise on Start

- Turn the key and the system will take you right to your programmed ride height.

Show Mode

- Continue to control your air management via the controller when your vehicle is off.

Easy Install

- System requires less drilling wiring and takes up less space than other systems for a cleaner install.

AIR MANAGEMENT

AIR LIFT PERFORMANCE



Overview

The 3H advanced manifold technology is configurable with different tank and compressor options so that you can choose the best set-up for your build.

The system comes with everything needed for height and pressure control up front, for the best value. Start driving in pressure mode and install height sensors later, without the need to purchase an upgrade.

The manifold features threaded FNPT ports and includes either 1/4" or 3/8" airline fittings.



3H height sensors, manifold, controller and free phone app (phone not included)

All the same advanced features as 3P

- One-Tap Control
- Disable Sleep Mode
- Multilingual
- Innovative Control
- 5 Custom Presets
- Rise on Start
- Show Mode
- Easy Install

PLUS...

Height Sensing Technology

- Height sensors give the system the ability to automatically adapt to changes in vehicle load.

AIR LIFT PERFORMANCE 3P & 3H COMPARISON

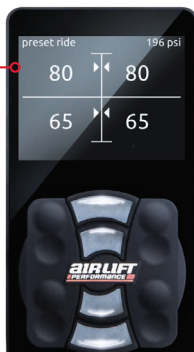
System					Manifold				Height and Pressure		Control Options	
Product	Five (5) Presets	Rise on Start	Anti-Cross Loading	Show Mode	Fully Integrated Manifold	1/4" or 3/8" Air Line	Built-in Bluetooth®	Accelerometer	Height Sensors	Pressure Sensors	Controller	Mobile App
3P	●	●	+	●	●	●	●	●	+	●	●	●
3H	●	●	●	●	●	●	●	●	●	●	●	●

● Standard + Optional

AIR SUSPENSION CONTROL, AT THE TOUCH OF A BUTTON

Innovative Controller

Take your air game to a whole new level with our intuitive controller, featuring a full color display and rotatable keypad, tailored to your vehicle's setup.



Free App

Free. Easy. No additional hardware to buy or install. Updated system software can be sent directly to the manifold and controller via the mobile app!

AIR LIFT PERFORMANCE 3P & 3H INNOVATIVE FEATURES



1/4" threaded FNPT port 3P/3H manifold shown PN: 72674



Fully Integrated

The ECU, pressure manifold and Bluetooth® module are combined into one compact unit.



Manifold Options

The manifolds are available with threaded FNPT 1/4" ports with either 1/4" or 3/8" airline PTC fittings.



Single Harness Connection

The key components of this system require less drilling, wiring and take up less space than other air management systems.



Accelerometer

On-board accelerometer detects vehicle motion, preventing unwanted adjustments.



Advanced Processing

The system quickly adjusts to and maintains height and/or pressure presets with the push of a button.

CHOOSE YOUR COILOVER SUSPENSION

STATIC SUSPENSION

COILOVER KITS

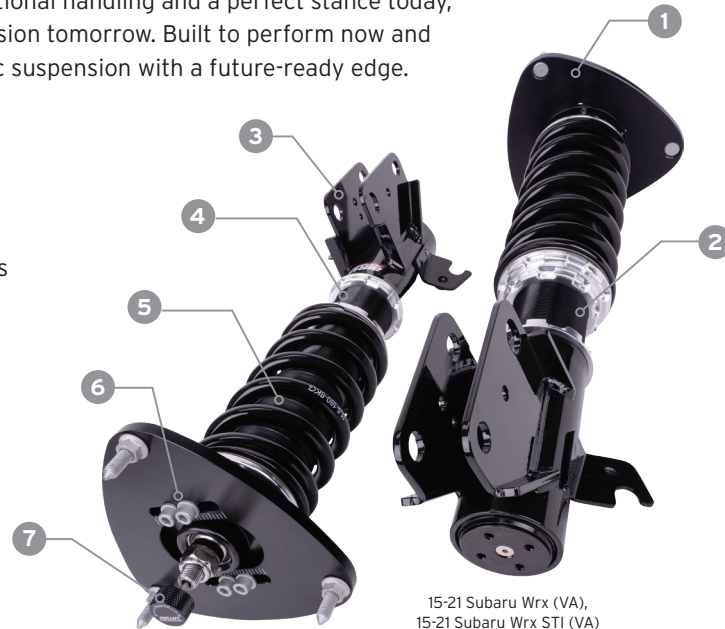
Air Lift Performance coilovers deliver exceptional handling and a perfect stance today, with the option to upgrade to full air suspension tomorrow. Built to perform now and evolve with your next big build, they're static suspension with a future-ready edge.

KEY FEATURES

- 1 Anodized aluminum damper bodies, top mounts and locking collars
- 2 Threaded body dampers and lower mounts
- 3 Vehicle-specific mounts
- 4 Vehicle-specific valving with upgraded internal pressures
- 5 High-quality monotube dampers
- 6 Some kits feature adjustable camber plates in the upper mounts
- 7 32-way damping adjustable

Complete kits (front and rear) come packaged in one carton.

California: ⚠️WARNING: Cancer and Reproductive Harm - www.P65Warnings.ca.gov



15-21 Subaru Wrx (VA),
15-21 Subaru Wrx STI (VA)
PN: 79001 shown

AIR LIFT PERFORMANCE APPLICATIONS



PERFORMANCE AIR SUSPENSION APPLICATIONS



ACURA

2013	2021	ILX
1994	2001	Integra
2009	2014	TL <i>Fits AWD and RWD models</i>
2015	2024	TLX
2009	2014	TSX <i>Fits AWD and RWD models</i>

AUDI

2005	2014	A3, S3 & RS3 – 2nd Gen (Typ 8P)
2015	2020	A3, S3 – 3rd Gen (Typ 8V) <i>55mm front struts and independent rear suspension only</i>
2009	2016	A4, S4, RS4, Allroad (B8/B8.5 Platform)
2016	2024	A4, S4, Allroad (B9 Platform)
2007	2017	A5, S5, RS5 (B8 Platform)
2017	2024	A5, S5 (B9 Platform)

2012	2018	A6, S6, RS6, Allroad (C7 Platform)
2012	2018	A7, S7, RS7 (C7 Platform)
2008	2017	Q5 (Typ 8R)
2016	2019	RS3 – 3rd Gen (Typ 8V) <i>55mm front struts and independent rear suspension only</i>
2017	2018	RS4 (B9 Platform)
2017	2024	RS5 (B9 Platform)
1998	2006	TT – MK1 (Typ 8N) <i>Fits FWD models only</i>
2006	2015	TT – MK2 (Typ 8J)
2016	2023	TT – MK3 (Typ 8S)
2009	2015	TTS – MK2
2016	2023	TTS – MK3
2009	2014	TT-RS – MK2 (Typ 8J)
2018	2022	TT-RS – MK3 (Typ 8S)

**BMW**

2007	2011	1-Series E81 2-door hatchback
2008	2013	1-Series E82 Coupe
2004	2011	1-Series E87 5-door hatchback
2008	2013	1-Series E88 Convertible
2012	2018	1-Series F20 5-door hatchback
2012	2018	1-Series F21 3-door hatchback
2010	2012	1-Series 1M
2014	2021	2-Series F22/F23 <i>Fits AWD and RWD models</i>
2022	2024	2-Series G42 <i>Fits AWD and RWD models</i>
1982	1993	3-Series E30 <i>With 51mm front struts Does not fit AWD models</i>
1993	2000	3-Series E35 & E36 – Compact
2006	2011	3-Series E90 Sedan – Includes M Series <i>Fits AWD and RWD models</i>

2006	2012	3-Series E91 Wagon <i>Fits AWD and RWD models</i>
2007	2013	3-Series E92 Coupe
2007	2013	3-Series E93 Convertible
2012	2019	3-Series F30 Sedan <i>Fits AWD and RWD models</i>
2014	2019	3-Series F31 Wagon
2015	2018	3-Series F80 M3
2020	2024	3-Series G20, G21 <i>Fits AWD and RWD models</i>
2014	2020	4-Series F32 Coupe
2014	2020	4-Series F33 Convertible
2015	2020	4-Series F36 Sedan <i>Fits AWD and RWD models</i>
2015	2018	4-Series F82 M4 Coupe
2021	2024	4-Series G22, G23, G26 <i>Fits AWD and RWD models</i>
2019	2024	BMW Z4 (G29)

CHEVROLET

2010	2015	Camaro <i>Includes SS and Z28 models</i>
2016	2024	Camaro <i>Does not fit Magnetic Ride Control</i>

CHRYSLER | DODGE

2005	2023	Chrysler 300C – Includes SRT-8 <i>Fits rear only on AWD models</i>
2008	2023	Dodge Challenger – Includes SRT-8 Hellcat Scat Pack
2006	2023	Dodge Charger – Includes SRT-8 Scat Pack <i>Fits rear only on AWD models</i>
2005	2008	Dodge Magnum – Includes SRT-8 <i>Fits rear only on AWD models</i>

FORD

2016	2018	Focus RS
2013	2018	Focus ST
2005	2014	S197 Mustang <i>Fits all models</i>



2015	2023	S550 Mustang
2024	2024	S650 Mustang <i>Does not fit GT Performance Package</i>

HONDA

2013	2017	Accord – 9th Gen
2018	2022	Accord – 10th Gen
2023	2024	Accord – 11th Gen
1992	1995	Civic – 5th Gen
1996	2000	Civic – 6th Gen
2012	2015	Civic – 9th Gen <i>Also available for 9th Gen Civic Si</i>
2016	2021	Civic – 10th Gen <i>Also available for 10th Gen Civic Si</i>
1987	1991	CRX
1993	1997	Del Sol



HYUNDAI

2012 2016 Genesis Coupe

INFINITI

2002 2008 G35
Rear kit does not fit convertible

2008 2013 G37
Rear kit does not fit convertible

2009 2013 G37X AWD

2014 2024 Q50 AWD
Does not fit vehicles with DDS

2014 2024 Q50 RWD
Front kit does not fit 2.0T

2014 2022 Q60 AWD
Does not fit vehicles with DDS

2014 2022 Q60 RWD
Does not fit vehicles with DDS

2014 2019 Q70 AWD
Does not fit vehicles with DDS

LEXUS

2019 2024 ES300H

2019 2024 ES350

2016 2017 GS200T

1998 2005 GS300



2006 2006 GS300
Fits AWD and RWD models

2018 2021 GS300
Fits AWD and RWD models

2007 2021 GS350
Fits AWD and RWD models

1998 2000 GS400

2006 2007 GS430

2008 2012 GS460

2008 2014 IS F

2016 2017 IS200T

2006 2015 IS250
Fits AWD and RWD models

2016 2024 IS300
Fits AWD and RWD models

2006 2024 IS350
Fits AWD and RWD models

1989 2000 LS400

2001 2006 LS430

2016 2017 RC200T

2016 2024 RC300
Fits AWD and RWD models

2016 2024 RC350
Fits AWD and RWD models



MAZDA

2010 2013 Mazda 3

2010 2013 Mazdaspeed 3

NISSAN

2003 2008 350Z

2009 2020 370Z
Rear kit does not fit convertible

2008 2024 R35 GT-R

2023 2024 Z

SCION

2012 2016 FR-S

SUBARU

2012 2024 BRZ

2008 2014 Impreza

2015 2021 STI

2008 2024 WRX

TESLA

2017 2023 Model 3
*Fits AWD and RWD models*2020 2024 Model Y
Only available as AWD

TOYOTA

2019 2022 Avalon

2018 2024 Camry

2019 2024 Corolla
Fits 12th Gen., E210 chassis - Does not fit GR Corolla

2012 2024 GT86/GR86

2020 2024 Supra GR (A90)
Includes 3.0, 3.0 Premium, 3.0 Launch Edition

VOLKSWAGEN

2018 2023 Arteon

1998 2019 Beetle

1995 2003 Cabrio

1980 1984 Cabriolet

2009 2017 CC

1985 1996 Corrado

2007 2014 EOS

2015 2021 E-Golf

1974 2022 Golf

2017 2020 Golf Alltrack

1976 2024 Golf GTI

2009 2020 Golf Sportwagon

2011 2024 Golf R

2005 2008 Golf R32

1979 2022 Jetta

2019 2024 Jetta GLI

1990 1997 Passat

2006 2022 Passat

1974 2014 Rabbit

1974 1982 Scirocco

2008 2017 Scirocco

2018 2024 Tiguan

COILOVER APPLICATIONS



ACURA

2015 2020 TLX

AUDI

2009 2016 A4, S4, RS4, and Cabriolet (B8/B8.5)
Fits Quattro and FWD

2011 2012 RS3 – Typ 8P
55mm front struts only

2005 2014 A3 – Typ 8P
55mm front struts only

2015 2020 A3 & S3 – Typ 8V

2007 2017 A5, S5, RS5, and Cabriolet (B8/B8.5)
Fits AWD and FWD models

2009 2016 Allroad – Typ 8K

2017 2019 RS 3 – Typ 8V
Fits AWD & FWD models, 55mm front struts only

2006 2012 S3 – Typ 8P
55mm front struts only

2007 2014 TT – MK2

2007 2014 TT RS – MK2
55mm front struts only

2009 2015 TTS – MK2
55mm front struts only

2016 2023 TT and TTS – MK3

2018 2023 TT RS – MK3
55mm front struts only

BMW

2012 2018 1-Series 3 & 5 door hatchback (F20/F21)
Fits 5 bolt front upper mount only

2015 2021 2-Series Coupe (F22) and Convertible (F23)
Fits AWD & RWD models with 5 bolt front upper mount

2015 2019 3-Series Sedan (F30) and Wagon (F31)
Fits AWD & RWD models with 5 bolt front upper mount

2015 2020 4-Series 428i, 430i, 435i, 440i Coupe (F32),
Convertible (F33) and Sedan (F36)
Fits AWD and RWD models with 5 bolt front upper mount

2019 2024 Z4 (G29), sDrive20i, sDrive30i and M40i

CHRYSLER | DODGE

2011 2023 Chrysler 300 and 300C
Fits RWD models only

2015 2023 Dodge Challenger
Fits all RWD models and drivetrains

2011 2023 Dodge Charger
Fits RWD models only

FORD

2005 2014 Mustang S197 Platform – Base, GT,
Convertible, GT500

2015 2024 Mustang S550/S650 – Fastback and
Convertible

HONDA

2013 2017 Accord Coupe and Sedan – 9th Gen
All powertrains

2018 2024 Accord Sedan – 10th Gen
All models and drivetrain

INFINITI

2003 2007 G35 Coupe

2003 2006 G35 Sedan

2007 2008 G35 Sedan

2009 2013 G37 Sedan and Convertible

2008 2013 G37 Coupe

2014 2024 Q50
*Does not fit models with 2.0T engine. Fits RWD models
only with ball lower mount*

2016 2022 Q60
Fits RWD models only



LEXUS

2019	2024	ES300H/ES350 <i>Includes all models and powertrains</i>
2013	2021	GS200T/GS350 <i>Fits all engines and F Sport package, RWD models only</i>
2017	2017	IS200T
2018	2023	IS300
2017	2023	IS350 <i>Fits all engines and F Sport package, RWD models only</i>
1989	2000	LS400
2016	2017	RC200T <i>Fits all engines and F Sport package, RWD models only</i>
2018	2024	RC300 <i>Fits all engines and F Sport package, RWD models only</i>
2015	2024	RC350 <i>Fits all engines and F Sport package, RWD models only</i>

NISSAN

2003	2008	350z – Coupe and Roadster <i>Fits RWD models only with fork lower mount</i>
2009	2020	370z – Coupe and Roadster <i>Fits RWD models only with ball lower mount</i>
2023	2024	Z (RZ34)

SCION

2012	2016	FRS
------	------	-----

SUBARU

2015	2021	Wrx (VA), Subaru Wrx STI (VA)
------	------	-------------------------------

2012	2024	BRZ
------	------	-----

TESLA

2017	2023	Model 3 (AWD)
------	------	---------------

2020	2024	Model Y (AWD)
------	------	---------------

TOYOTA

2019	2022	Avalon <i>All models and powertrains</i>
2018	2024	Camry – XV70 Platform 2.5L SE, SE Nightshade Edition and XSE, 3.5L XSE, XLE and TRD, Hybrid SE All Drivetrains
2012	2024	GT86, GR86
2020	2024	GR Supra

VOLKSWAGEN

2018	2023	Arteon <i>Fits models with 55mm front struts only</i>
------	------	--

2012	2019	Beetle <i>Fits models with 55mm front struts only</i>
------	------	--

1995	2003	Cabrio – MK2/MK3 Platform
------	------	---------------------------

2009	2017	CC – MK5/MK6 Platform <i>Fits FWD models 55mm front struts only</i>
------	------	--

1985	1996	Corrado – MK2/MK3 Platform
------	------	----------------------------

2007	2016	Eos – MK5/MK6 Platform <i>Fits FWD models 55mm front struts only</i>
------	------	---

2015	2021	E-Golf
------	------	--------

1985	1998	Golf – MK2/MK3 Platform
------	------	-------------------------

2006	2014	Golf – MK5/MK6 Platform <i>Fits FWD models 55mm front struts only</i>
------	------	--

2015	2022	Golf
------	------	------

2015	2024	Golf R – MK7/MK7.5/MK8 Platform <i>Fits AWD & FWD models 55mm front struts only</i>
------	------	--

2015	2019	Golf Sportwagen
------	------	-----------------

2012	2024	GT86, GR86
------	------	------------

1985	1998	GTI – MK2/MK3 Platform
------	------	------------------------

2006	2014	GTI – MK5/MK6 Platform <i>Fits models with 55mm struts only</i>
------	------	--

2015	2024	GTI – MK7/MK7.5/MK8 Platform <i>Fits models with 55mm struts only</i>
------	------	--

1985	1998	Jetta – MK2/MK3 Platform
------	------	--------------------------

2005	2018	Jetta
------	------	-------

2011	2018	Jetta GLI – MK5/MK6 Platform <i>Fits models with 55mm struts only</i>
------	------	--

2019	2024	Jetta GLI – MK7/MK7.5/MK8 Platform <i>Fits models with 55mm struts only</i>
------	------	--

1990	1997	Passat – B3/B4
------	------	----------------

2006	2022	Passat – B6/B7/B8 Platforms <i>Fits FWD models</i>
------	------	---

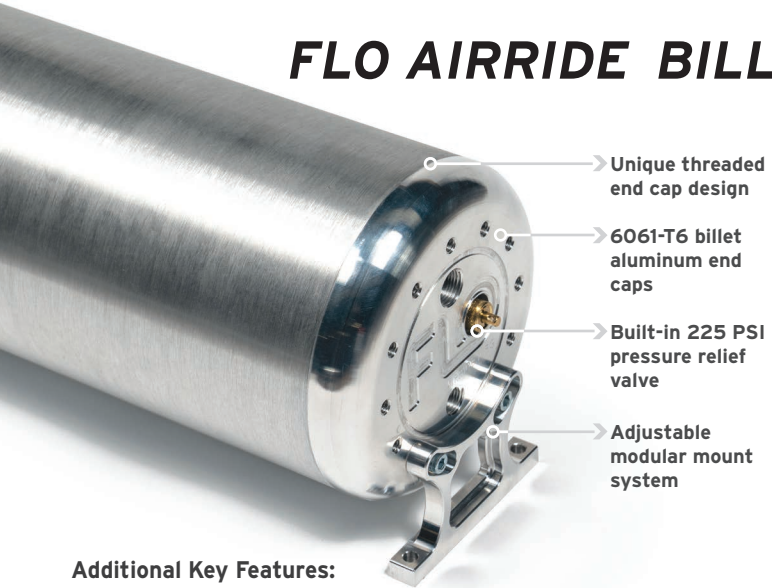
2006	2009	Rabbit
------	------	--------

2008	2017	Scirocco – GEN 3
------	------	------------------

2018	2024	Tiguan – MK7/MK8
------	------	------------------



FLO AIRRIDE BILLET AIR TANKS



Unique threaded end cap design

6061-T6 billet aluminum end caps

Built-in 225 PSI pressure relief valve

Adjustable modular mount system

Additional Key Features:

- > Modular design available in three lengths 18", 24" and 28"
- > Threaded end cap perimeter holes provide for multiple tank mounting solutions
- > 1/8", 1/4" and 3/8" NPT port configurations with symmetrical design, allowing for perfect symmetry in hardline applications
- > Performance tested, a true 200 PSI working pressure billet air tank



Aluminum 18" Length*

PN: 15218 - Natural Brushed Aluminum

- (2) 1/4" NPT End Ports
- (2) 3/8" NPT End Ports
- (2) 1/8" NPT End/Drain Port
- 18" L X 6" D X 6 3/4" H



Aluminum 24" Length*

PN: 15224 - Natural Brushed Aluminum

- (2) 1/4" NPT End Ports
- (2) 3/8" NPT End Ports
- (2) 1/8" NPT End/Drain Port
- 24" L X 6" D X 6 3/4" H



Aluminum 28" Length*

PN: 15228 - Natural Brushed Aluminum

- (2) 1/4" NPT End Ports
- (2) 3/8" NPT End Ports
- (2) 1/8" NPT End/Drain Port
- 28" L X 6" D X 6 3/4" H

* End cap to end cap

LIGHTWEIGHT ALUMINUM AIR TANKS



Aluminum 4 Gallon
PN: 12955 - Polished

- (2) 1/4" NPT End Ports
- (2) 3/8" NPT End Ports
- (1) 1/4" NPT Drain Port
- 30" L X 6" D X 7 1/2" H



Aluminum 5 Gallon
PN: 12956 - Polished

- (4) 3/8" NPT Face Ports
- (1) 1/4" NPT Drain Port
- 36" L X 6" D X 7 1/2" H



Aluminum 2.5 Gallon
PN: 12958 - Polished

- (4) 1/4" NPT Face Ports
- (1) 1/4" NPT Drain Port
- 20" L X 6" D X 7 1/2" H



Aluminum 4 Gallon
PN: 12957 - Polished

- (4) 1/4" NPT Face Ports
- (2) 3/8" NPT End Ports
- (1) 1/4" NPT Drain Port
- 30" L X 6" D X 7 1/2" H

COMPRESSORS



PN: 16444

VIAIR Single Compressors

444C Black Compressor 200 PSI PN: 16444B

444C Chrome Compressor 200 PSI PN: 16444



PN: 23444B

VIAIR Dual Compressors

444C Black Dual Pack 200 PSI PN: 23444B

444C Chrome Dual Pack 200 PSI PN: 23444

GAUGES / GAUGE PANEL / VALVE



Gauges

Single Needle 200 PSI PN: 26227

Dual Needle 200 PSI PN: 26228



Gauge Panel

A single needle 200 PSI gauge with a manual/paddle valve installed with mounting bracket. (5-1/2" W X 2-3/4" H X 6" D) PN: 26161



Paddle Valve

Manual Paddle Valve Mechanical PN: 21703
1/4" hose barbs

COMPRESSOR ACCESSORIES



Water Trap

1/4" SMC water trap PN: 21011

Featuring an all metal bowl with bottom drain



Pressure Switches

On 110 PSI / Off 145 PSI PN: 24551

On 145 PSI / Off 175 PSI PN: 24575



Fittings

We stock several parts and pieces. If there is a part you are looking for and we don't have it listed, please give us a call.

Replacement Hoses

1/4" NPT X 1/4" NPT X 21" long PN: 22001
(Replacement for: 16444, 23444)

Includes built in check valve



3H/3P Second Compressor Harness

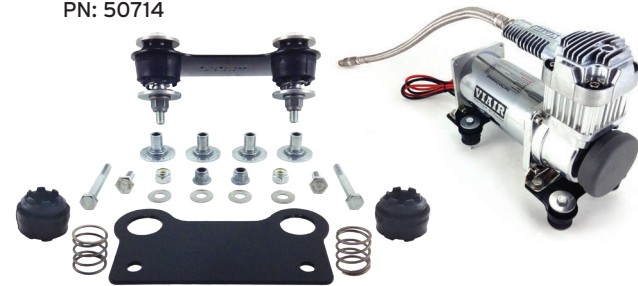
This wiring harness allows you to add a second compressor to any 3H or 3P system.

PN: 27703

Compressor Isolator Kit

Probably one thing that everyone can agree on when it comes to air suspension is that the 12 volt compressors are a bit noisy. The solution is our compressor isolation brackets. These brackets are designed to work with the VIAIR 444C, 480C model compressors and will significantly reduce noise and vibration.

PN: 50714



OFFICIAL AIR LIFT MERCHANDISE

To see all of our available merch, or to order, visit air-lift.co/merch.



Snapback Hat | PN: 00650



License Plate Frame | PN: 00624



Beanie | PN: 00651



Lanyard | PN: 00631



Vinyl Shop Banners

Large 8'x3' | PN: AD-875

Small 4'x2' | PN: AD-947



Windshield Decal | PN: window-decal

Colors: White, Black, Chrome, Silver, Brushed Aluminum



Wheel Stand | PN: AD-908

CUSTOMER SERVICE:
service@airliftcompany.com

EXPORT:
export@airliftcompany.com

#LifeOnAir

airliftperformance.com
facebook.com/AirLiftPerformance
instagram.com/air_lift_performance
1.800.248.0892



AD-896 • 2/25 | ©2025 Air Lift Company

California: ⚠️WARNING: Cancer and Reproductive Harm - www.P65Warnings.ca.gov