

ST & STF SERIES

EDGE TRIMS

SAMPLE SPECIFICATION

specify as: SOFTFORMS®

Model # ST-XXX

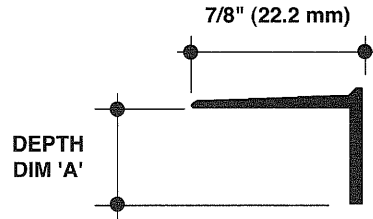
Model # STF-XXX

Pittcon SOFTFORMS® LLC

6409 Rhode Island Avenue
Riverdale, MD 20737
(800) 637-7638
(301) 927-1000
Fax: (301) 699-8690

3330 W. Flower Street
Phoenix, AZ 85017
(800) 637-7638
(602) 233-9100
Fax: (602) 233-9400

The extruded aluminum profile shall incorporate a continuous integral fin for surface contact to conventionally installed gypsum drywall. The fins shall be 7/8" wide and shall be tapered to the edge. The tapered fins shall be punched with holes staggered to accept standard screw fastening. A series of continuous grooves shall be extruded into the face of the fins to provide greater bonding surface. The extruded profiles shall be primed with corrosion-resistant primer compatible with materials normally in use in conjunction with commercial interiors, i.e.: joint compound, latex and enamel paints, and wall covering adhesives.



MATERIAL: Aluminum alloy.....6063 T5 or equal
Finish.....Factory primed

ST-050 & STF-050
NO SCALE

TRIM REVEAL
TYPICAL SECTION

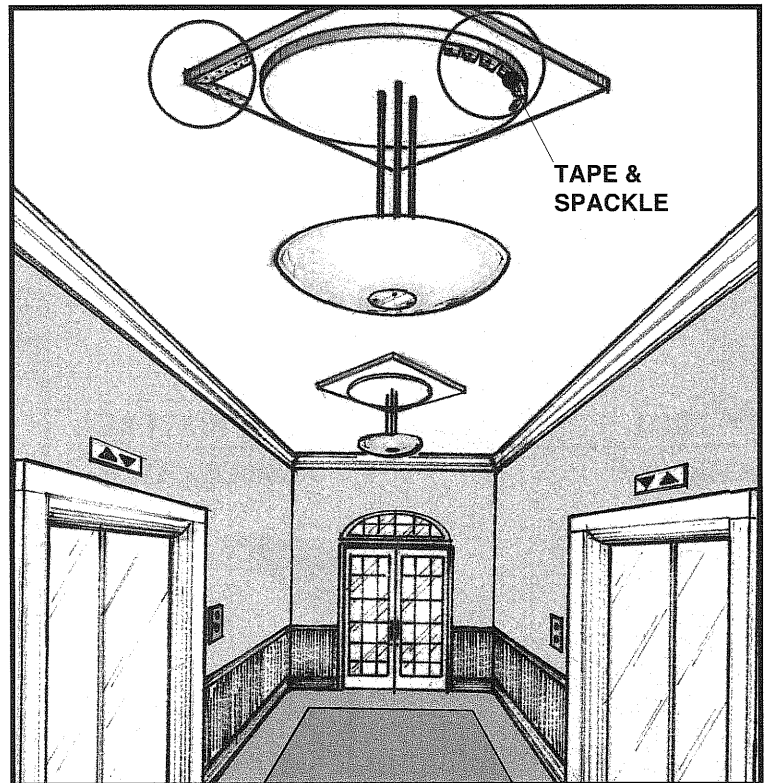
SELECTING YOUR SOFTFORMS® ST & STF SERIES OF EXTRUSIONS

Select proper SOFTFORMS extrusion from the information below.

ST Model No.	DEPTH Dim 'A'	STF Model No.
ST-050	1/2" (12.7 mm)	STF-050
ST-063	5/8" (15.9 mm)	STF-063
ST-100	1" (25.4 mm)	STF-100
ST-125	1-1/4" (31.8 mm)	STF-125

Note:

Special custom sizes are also available. Check with factory for availability and lead time.



All details, methods and specifications are the exclusive property of Pittcon Softforms® LLC. Pittcon reserves the right to change any specifications or details without prior notification. All Softforms® profiles are available in standard 10' lengths ±1/8" (2.048 M). Other lengths are available as special order items. For custom shapes, sizes, or for special finishes, please contact the factory or your nearest Pittcon sales representative.

Softforms

PREFORMED ARCHITECTURAL PROFILES
FOR DRYWALL CONSTRUCTION

ST & STF SERIES

EDGE TRIMS

SAMPLE SPECIFICATION

specify as: SOFTFORMS®

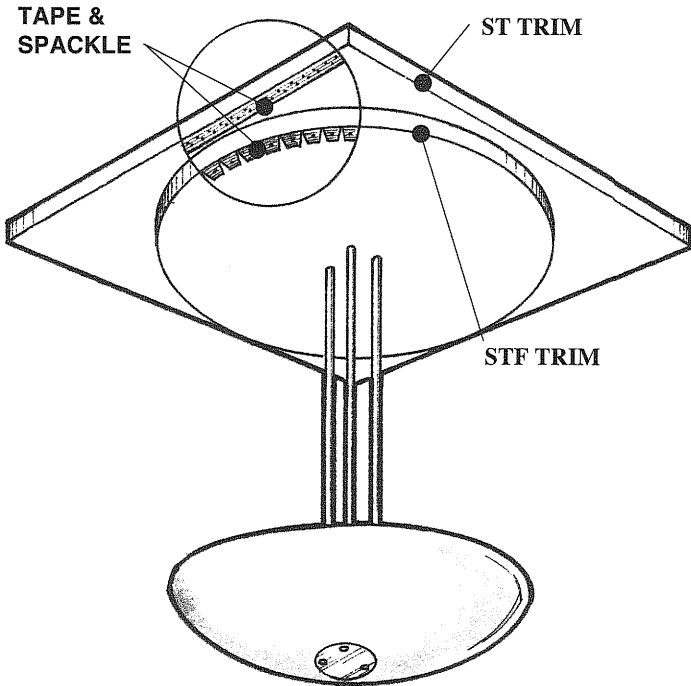
Model # ST-XXX

Model # STF-XXX

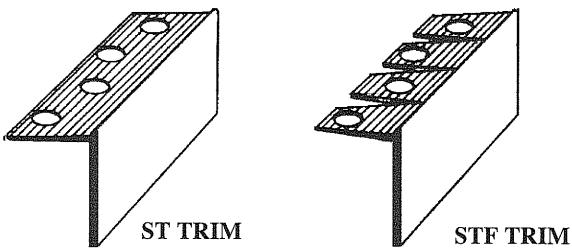
EXAMPLE DETAIL

For use with conventional metal stud construction with 1/2" or 5/8" GPDW sheets.

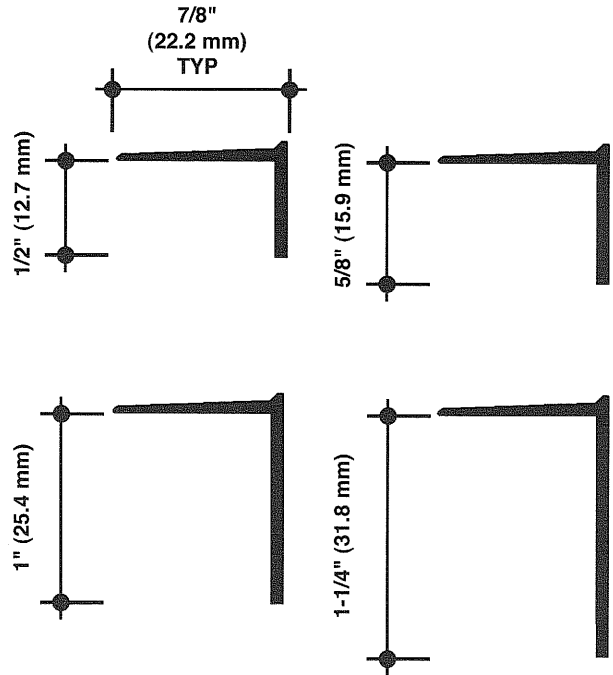
The ST SERIES of edge trims are used to provide a straight line raised panel independent of, or joined to, shaped panels produced with the companion series of STF flexible trims. Screws through the grooved fins must always engage with metal or wood substructure to ensure proper installation.



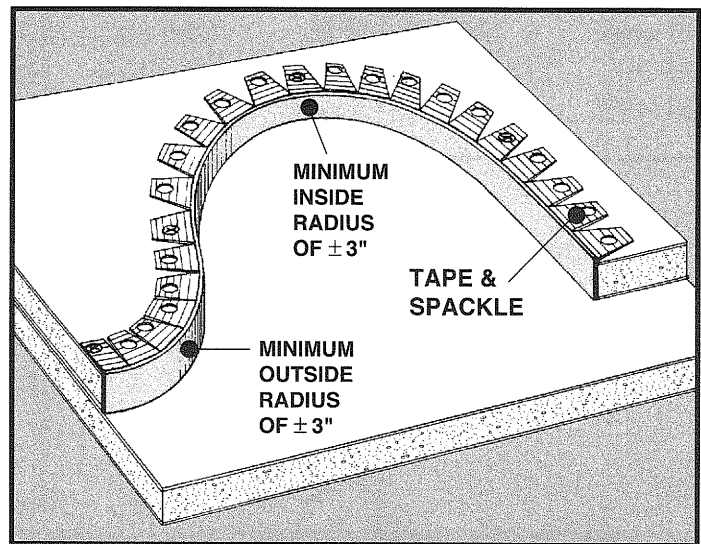
STF TRIM CANOPY FOR LIGHT FIXTURE
NO SCALE PERSPECTIVE



ST & STF TRIMS
NO SCALE ISOMETRIC



ST & STF SERIES OF EDGE TRIMS
NO SCALE SECTIONS



Pittcon SOFTFORMS® LLC

6409 Rhode Island Avenue
Riverdale, MD 20737
(800) 637-7638
(301) 927-1000
Fax: (301) 699-8690

3330 W. Flower Street
Phoenix, AZ 85017
(800) 637-7638
(602) 233-9100
Fax: (602) 233-9400

Softforms
PREFORMED ARCHITECTURAL PROFILES
FOR DRYWALL CONSTRUCTION