

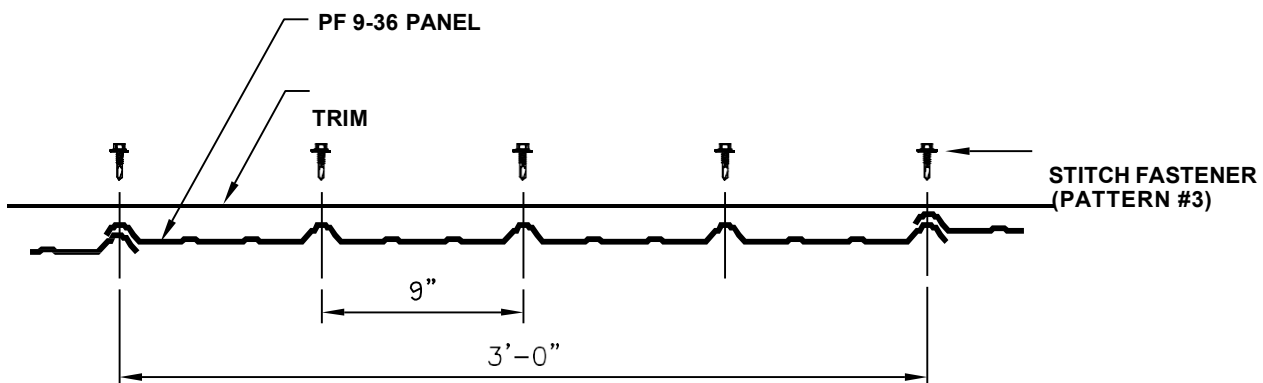
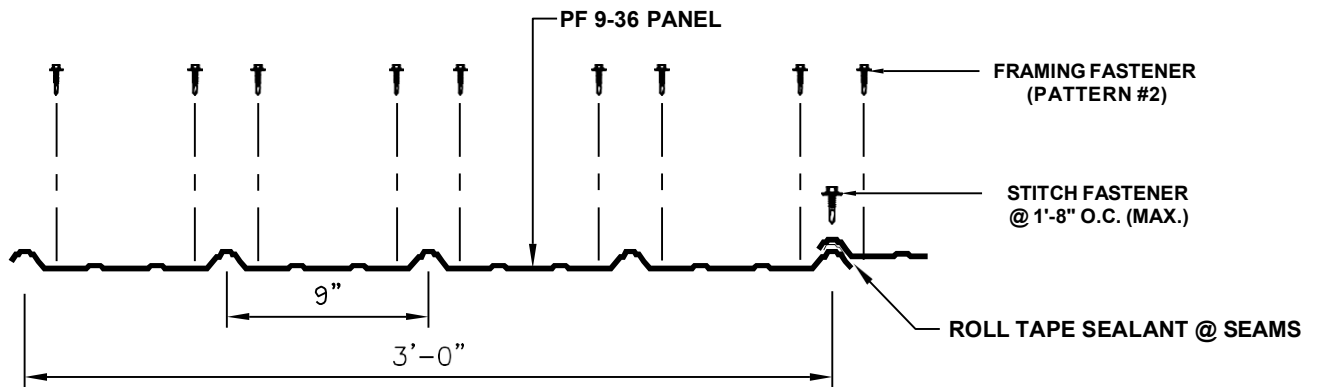
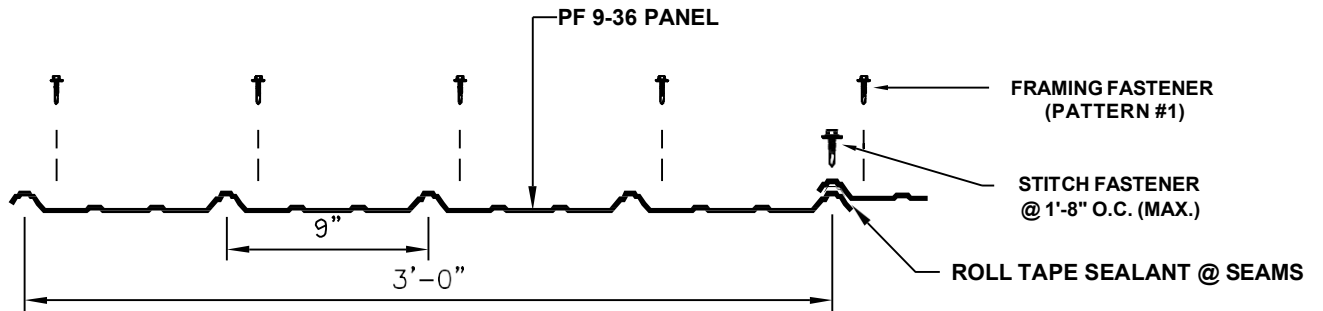
PF 9-36



Proform Metals

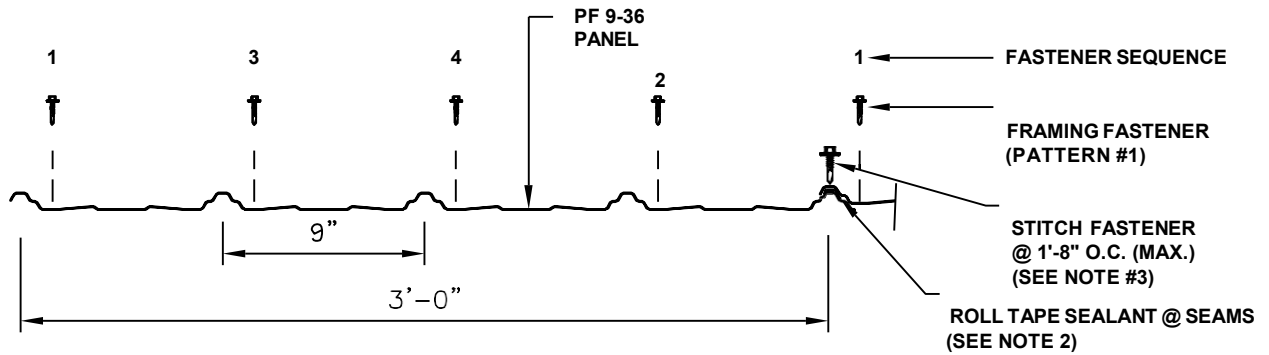
INSTALATION

TYPICAL FRAMING AND STITCH FASTENER PATTERNS FOR PF 9-36 PANELS



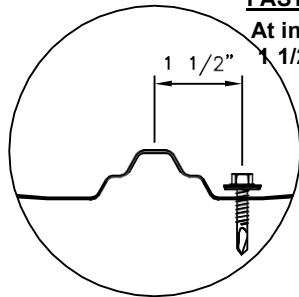
NOTE: TAPE SEALANT ON WALL SEAMS AND BOTH SIDES OF CLOSURE IS OPTIONAL.

TYPICAL FRAMING AND STITCH FASTENER PATTERNS FOR PROFORM



FASTENER PATTERN #1

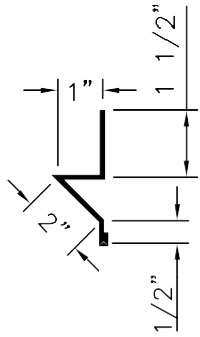
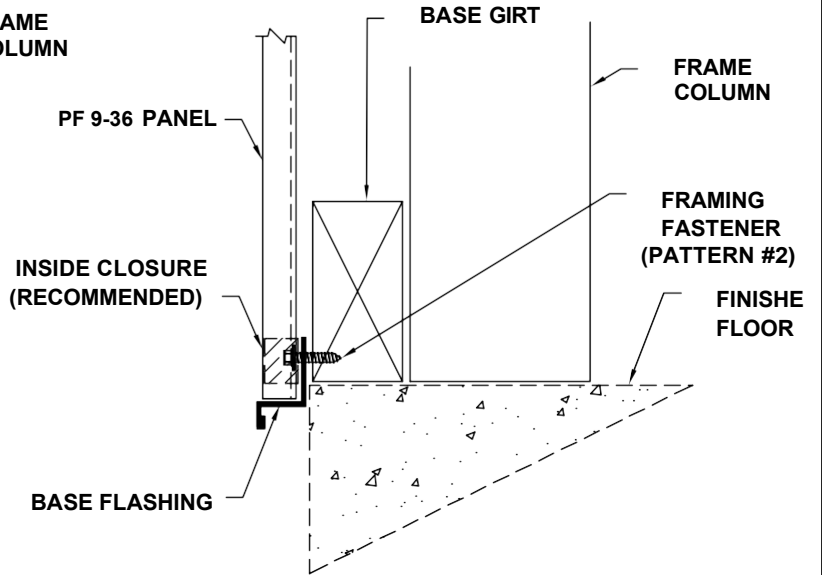
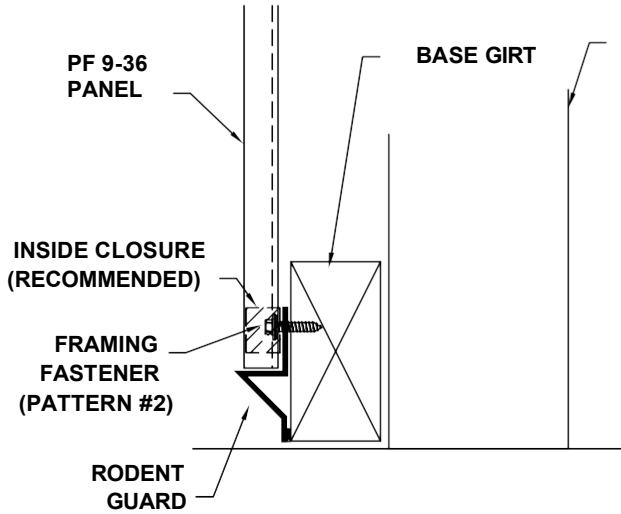
At intermediate supports:
1 1/2" on each side of major ribs.



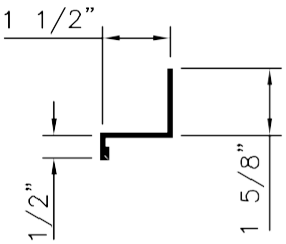
NOTES:

- 1.) TAPE SEALANT NOT REQUIRED FOR WALL SEAMS OR BOTH SIDES OF CLOSURE.**
- 2.) TAPE SEALANT NOT REQUIRED FOR 3:12 OR GREATER SLOPES.**
- 3.) STITCH FASTENERS MAYBE REQUIRED FOR ENGINEERING DIAPHRAGM BRACING.**

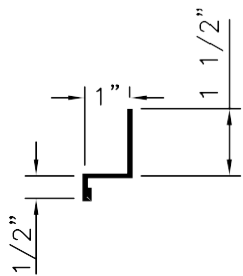
BASE TRIM DETAIL



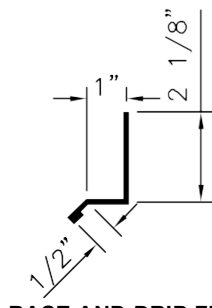
RODENT GUARD (P-RG)



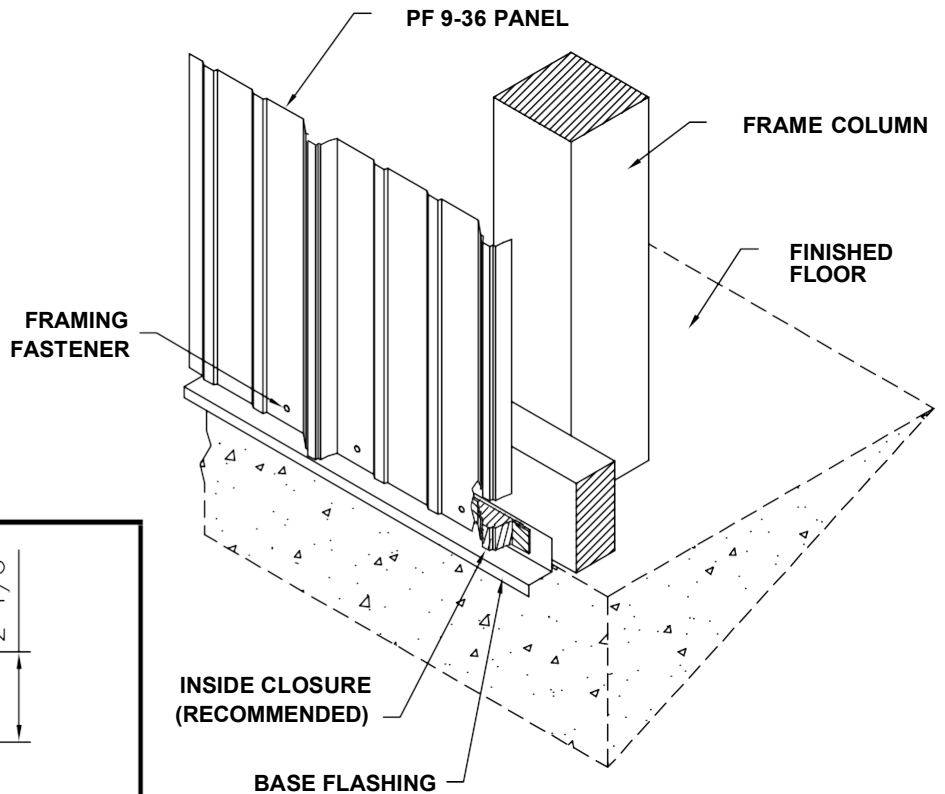
BASE FLASHING "B" (P-BFB)



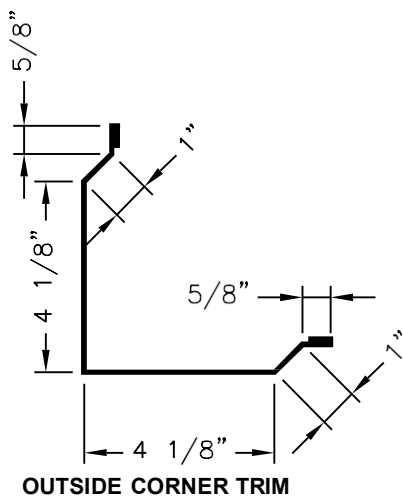
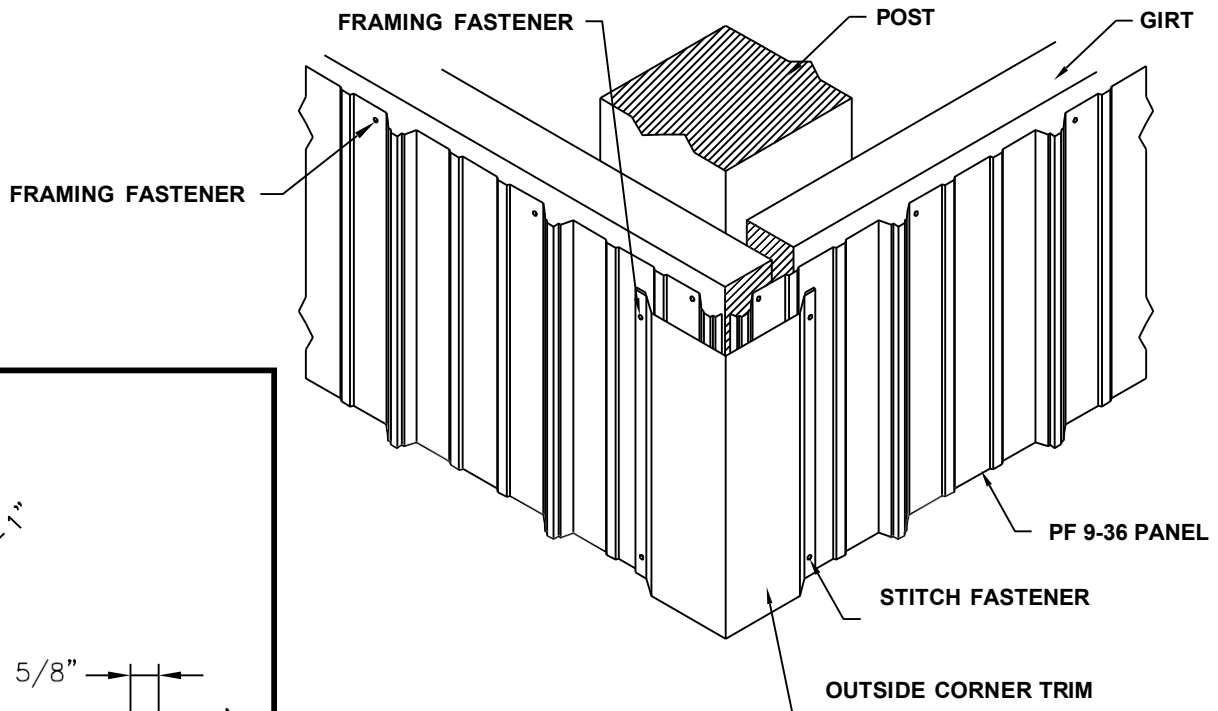
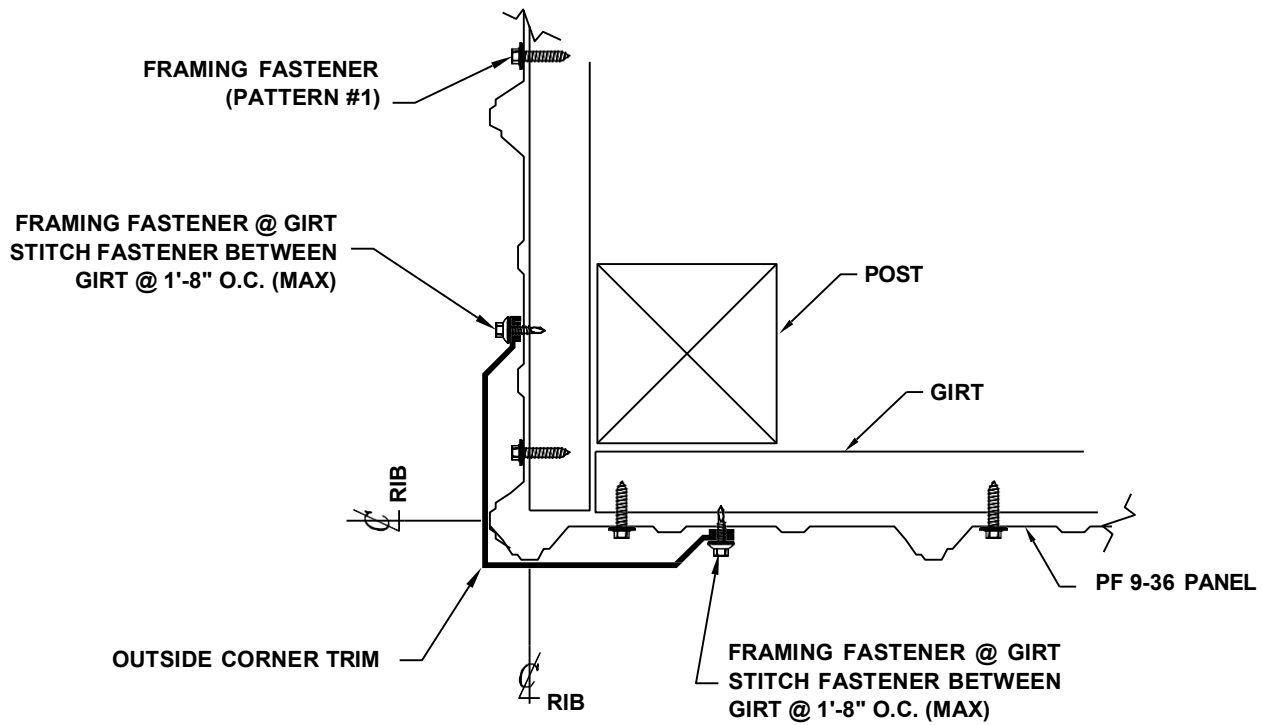
BASE FLASHING "A"



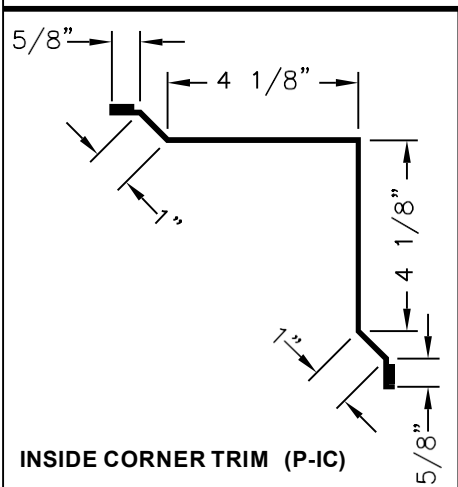
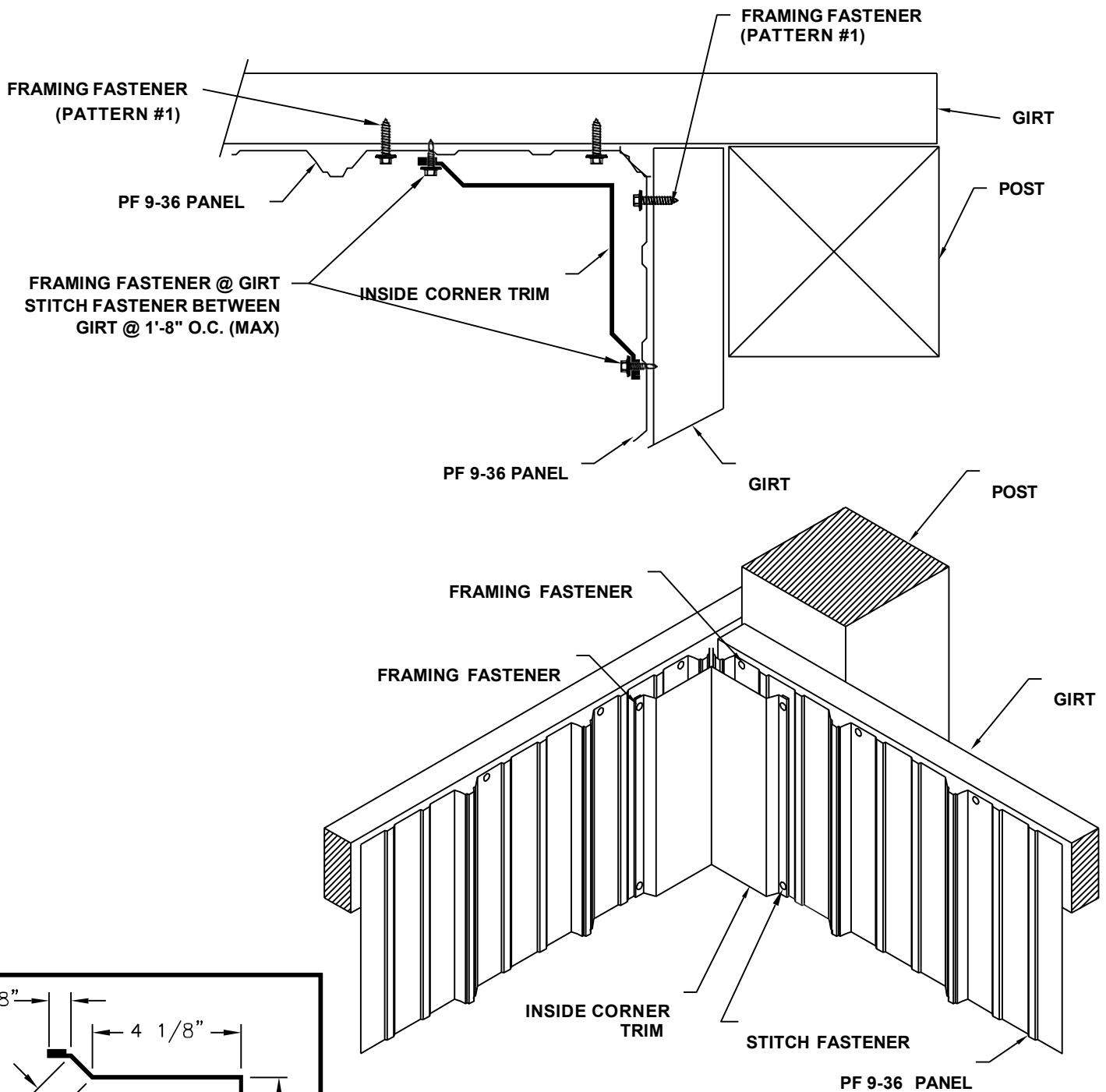
BASE AND DRIP FLASHING (P-DF)



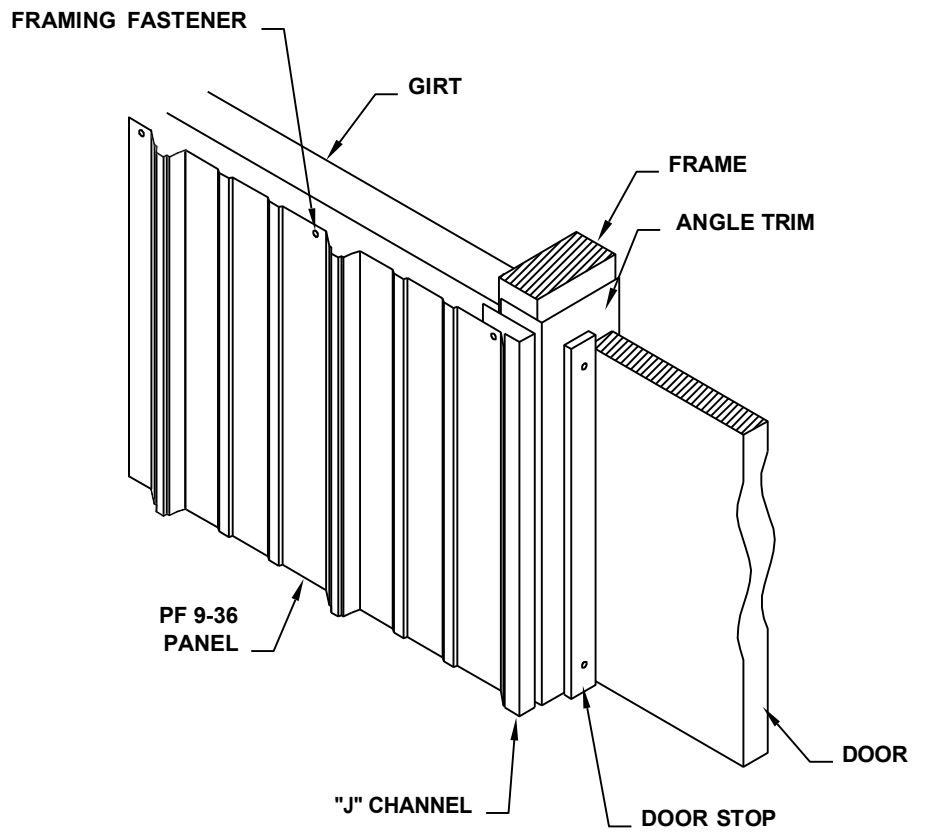
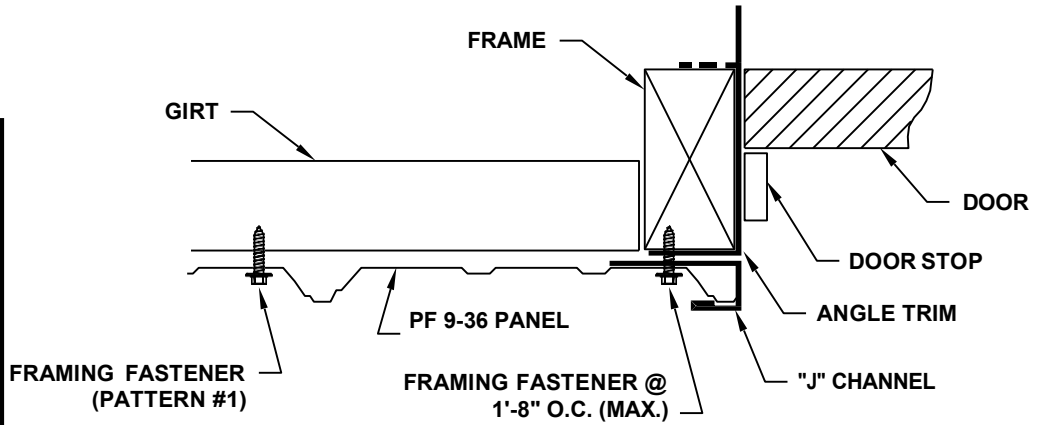
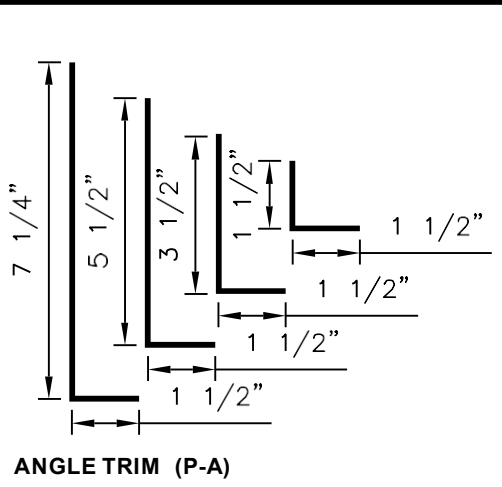
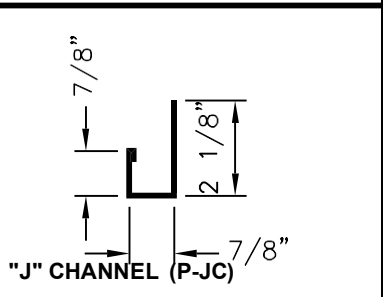
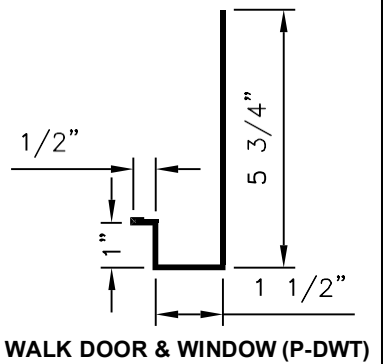
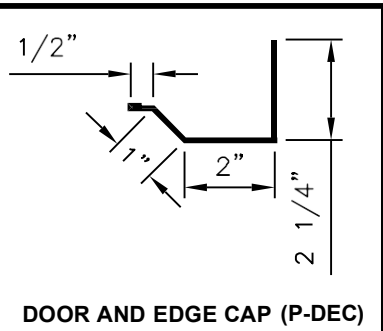
OUTSIDE CORNER DETAIL



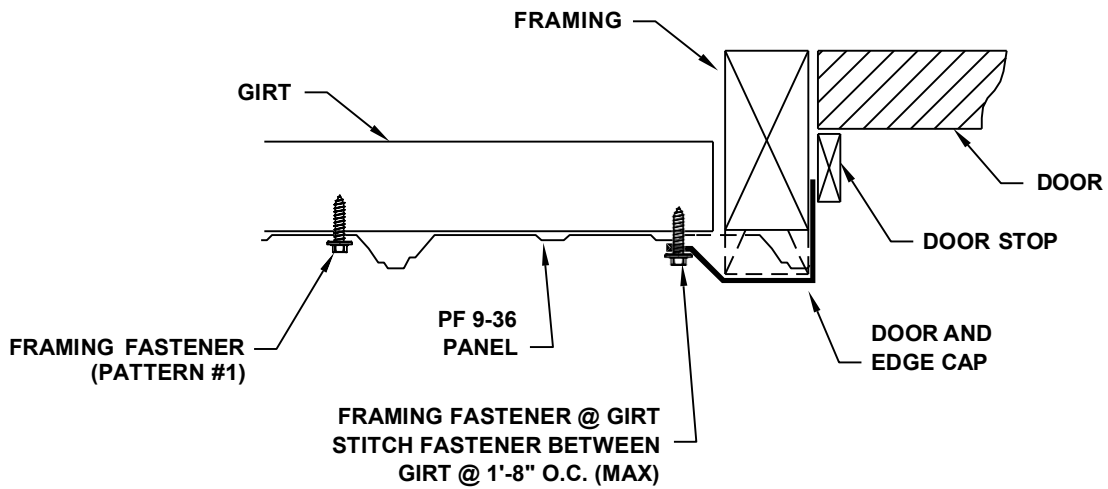
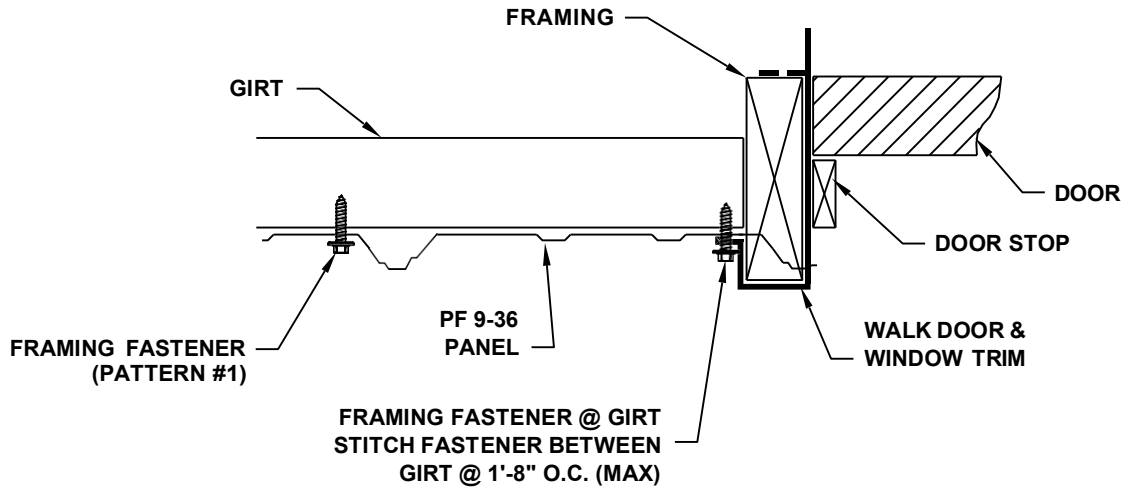
INSIDE CORNER DETAIL



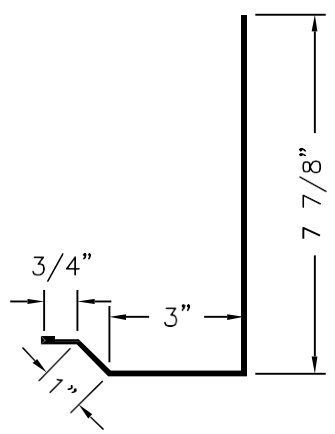
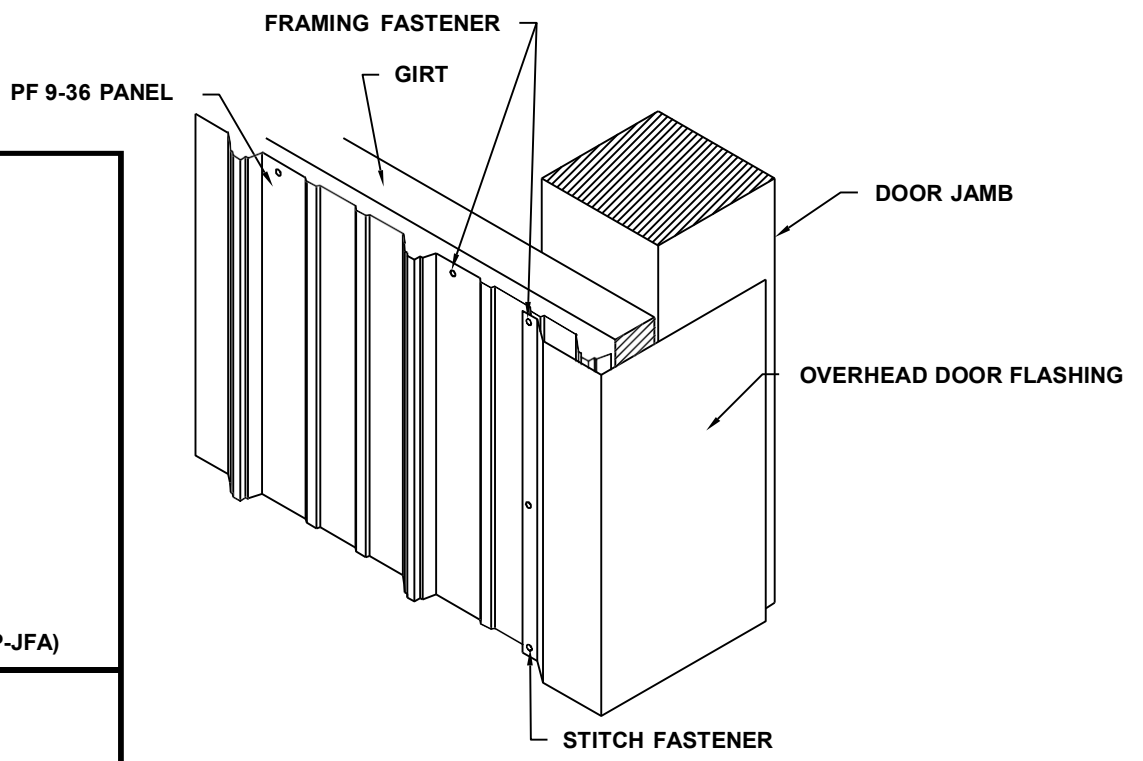
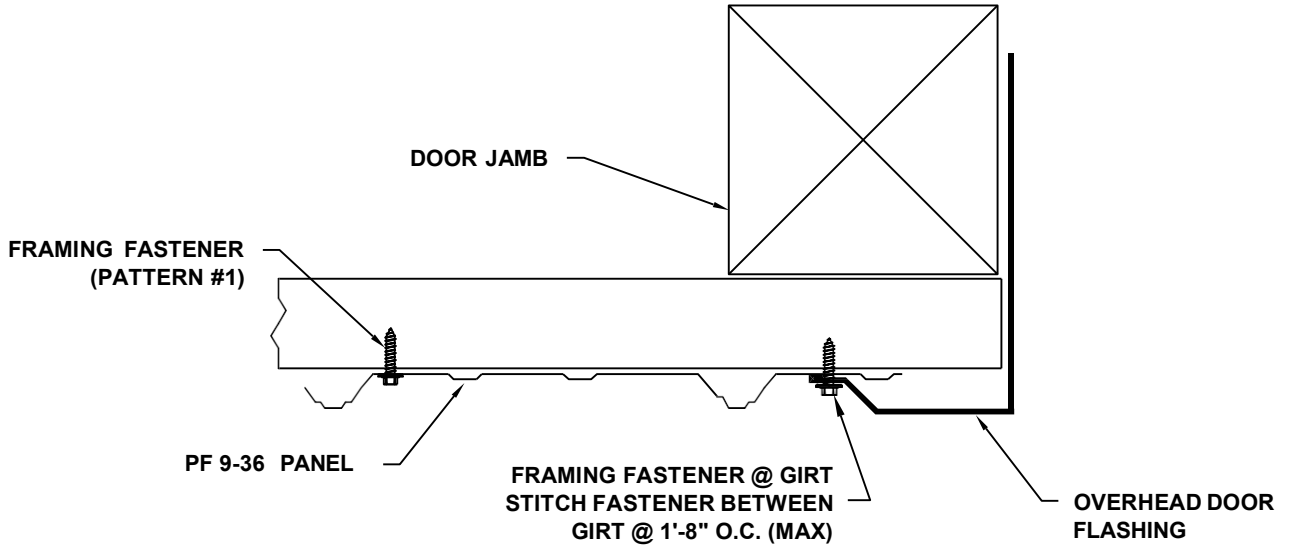
WINDOW & DOOR JAMB DETAIL



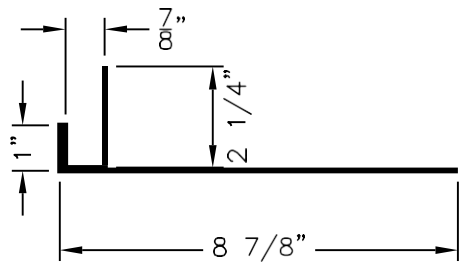
WINDOW & DOOR JAMB DETAIL



OVERHEAD DOOR JAMB DETAIL

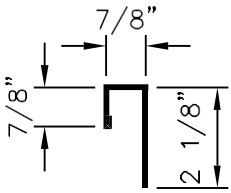
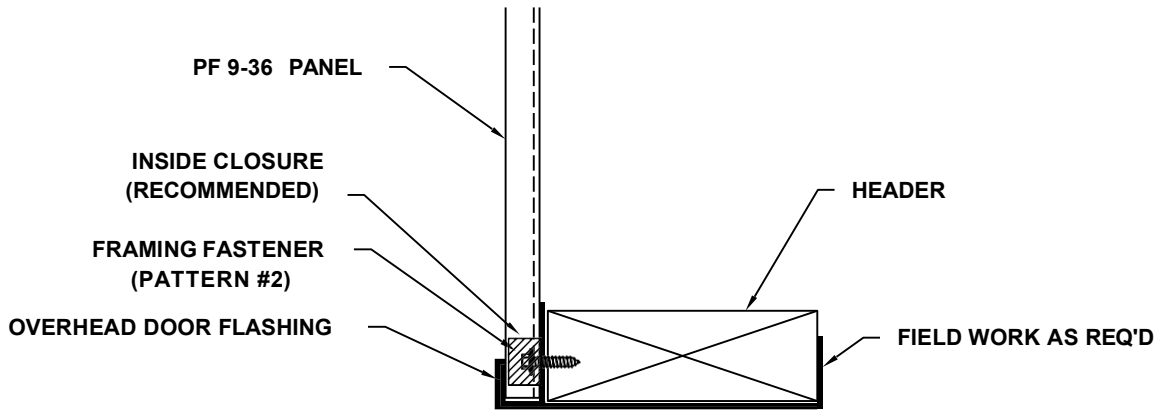


OVERHEAD DOOR FLASHING (P-JFA)

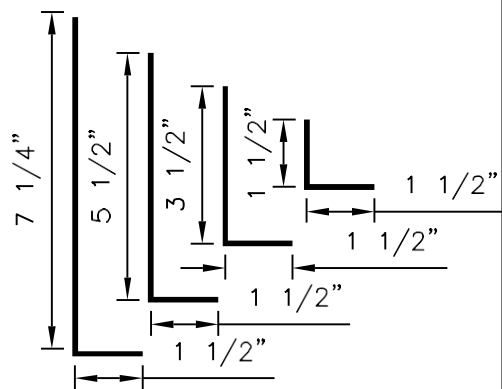


DOOR JAMB FLASHING (P-JFB)

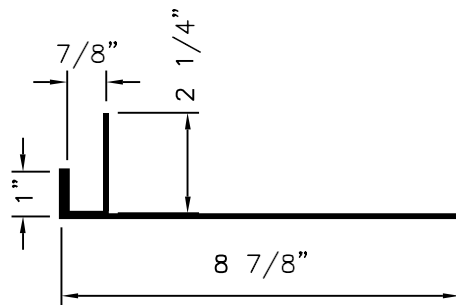
OVERHEAD DOOR HEADER DETAIL



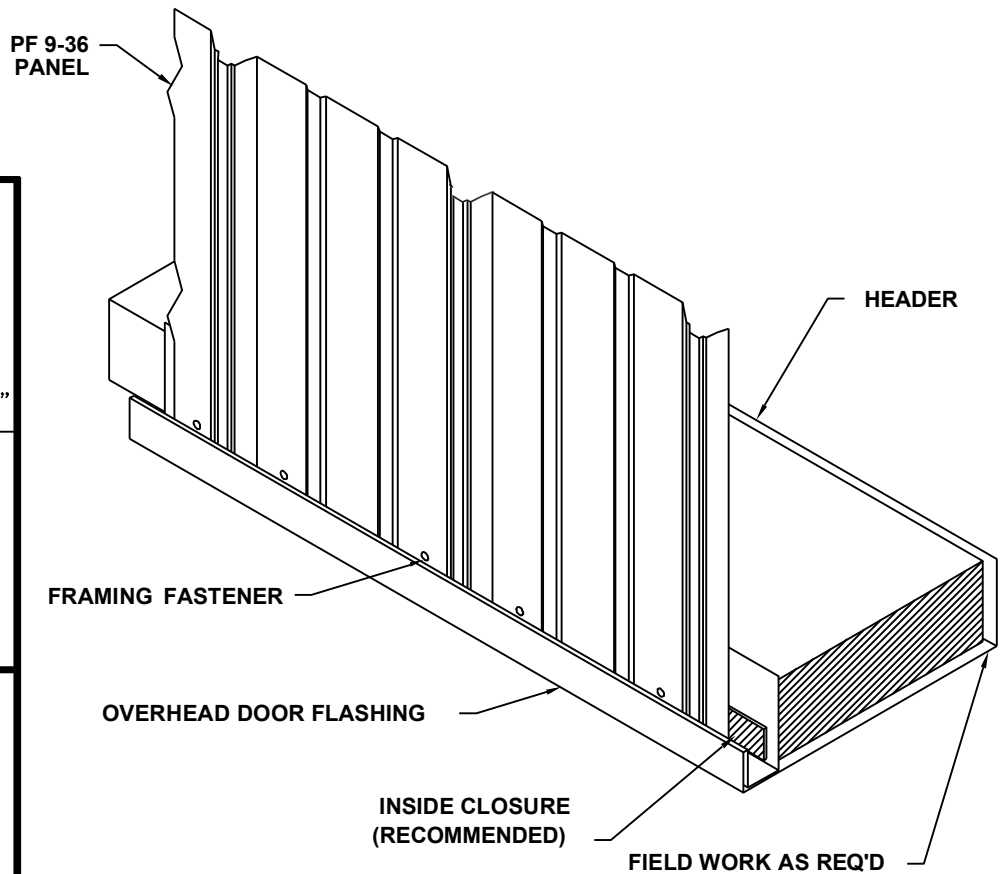
"J" CHANNEL (P-JC)



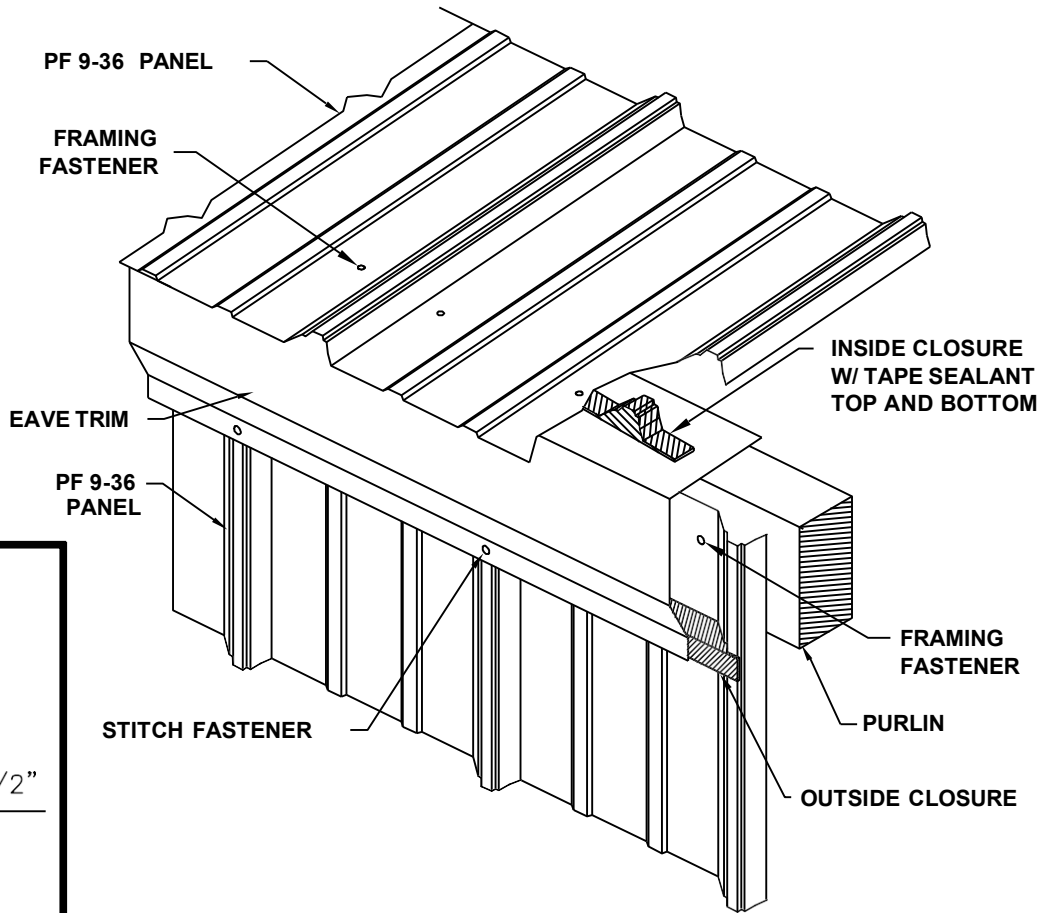
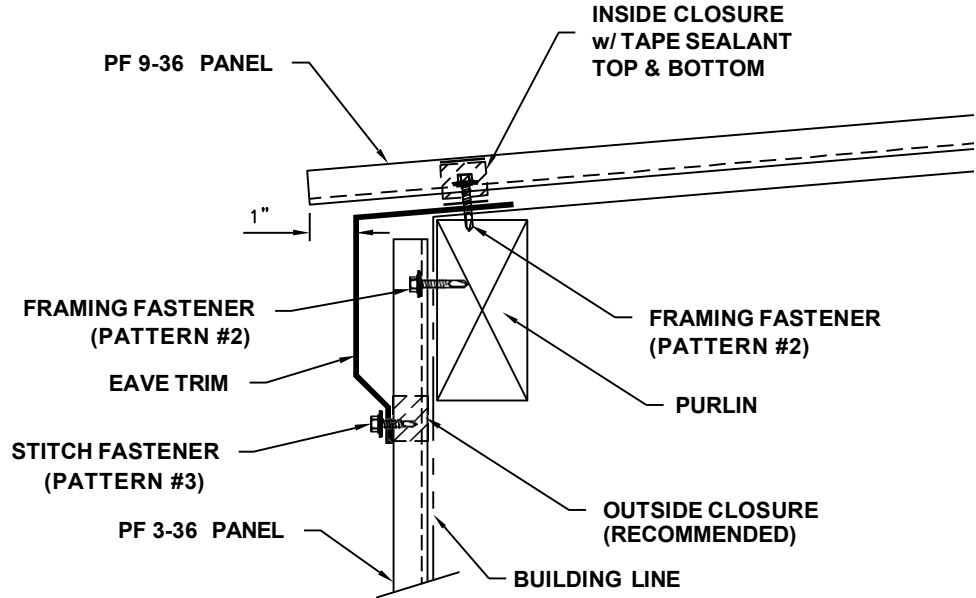
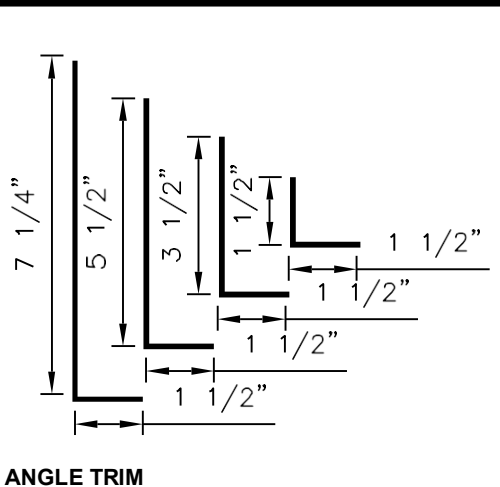
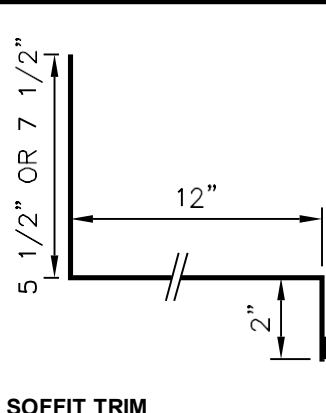
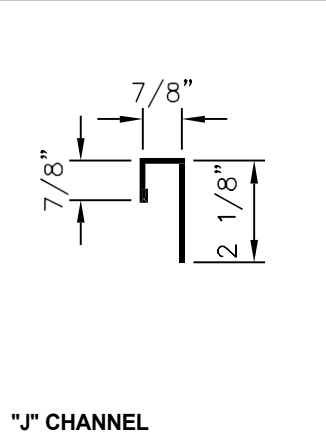
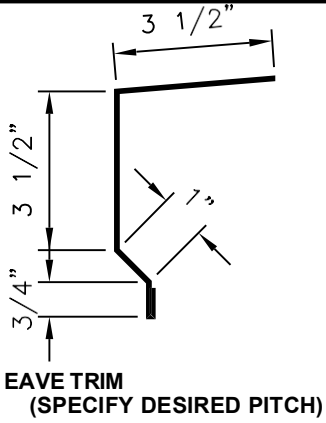
ANGLE TRIM (P-A)



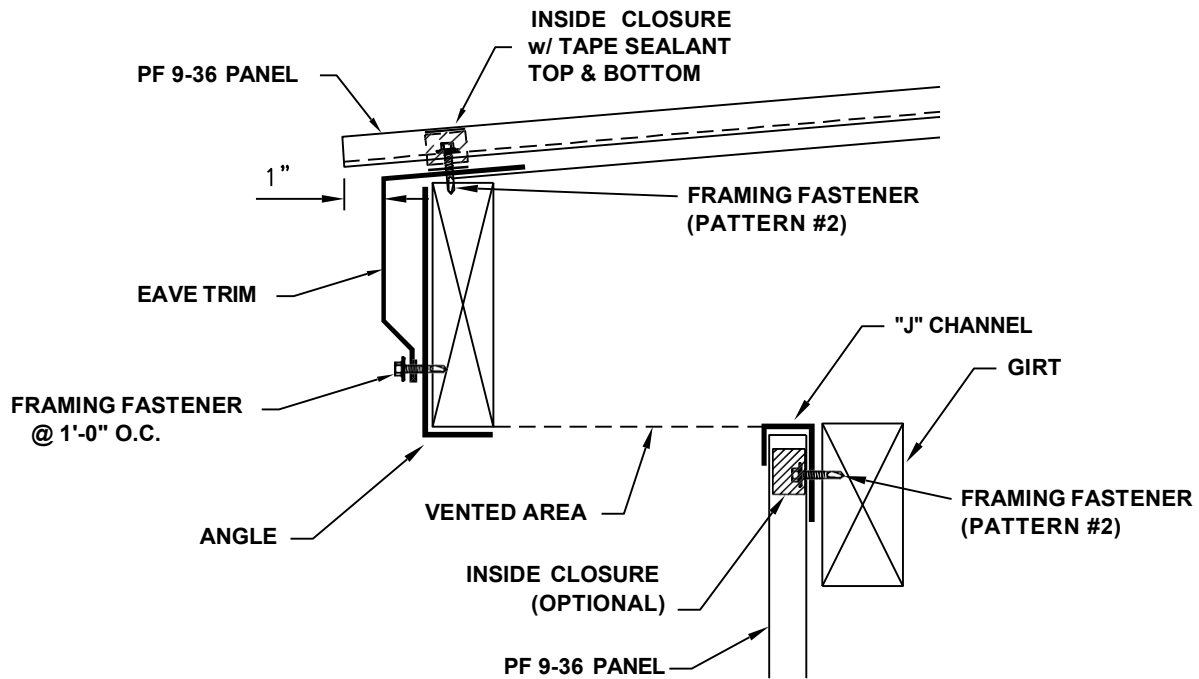
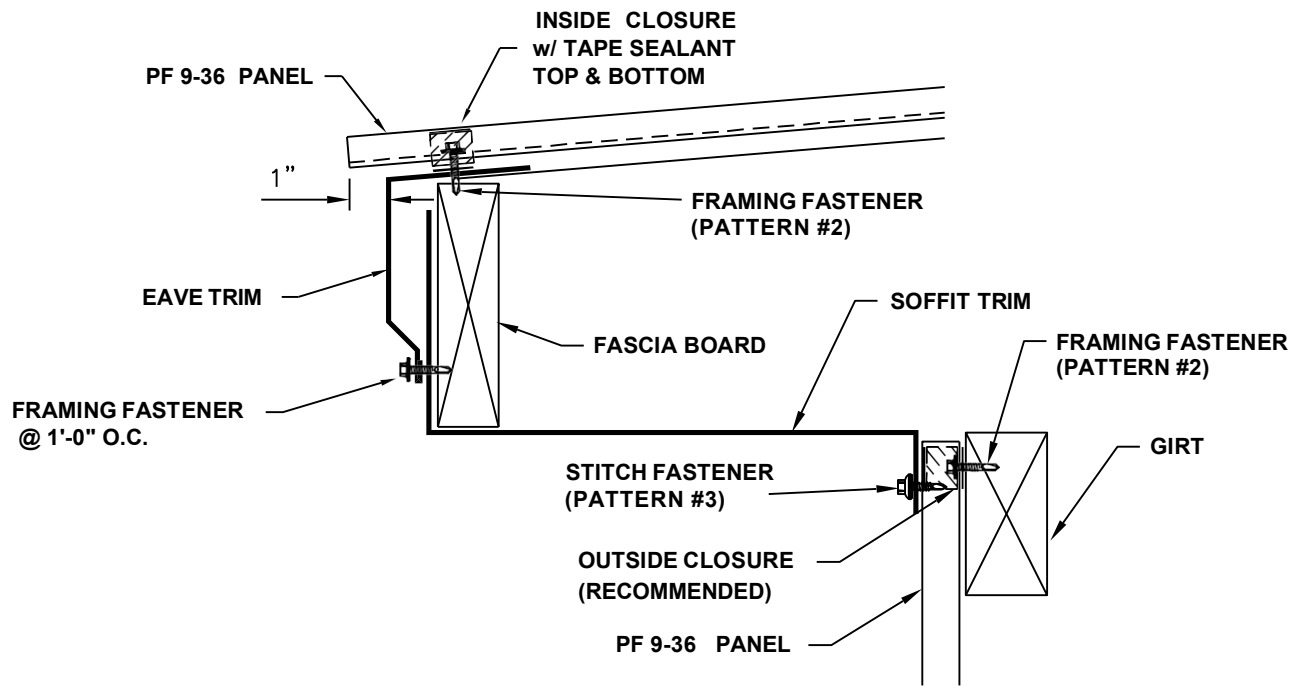
OVERHEAD DOOR FLASHING (P-JFB)



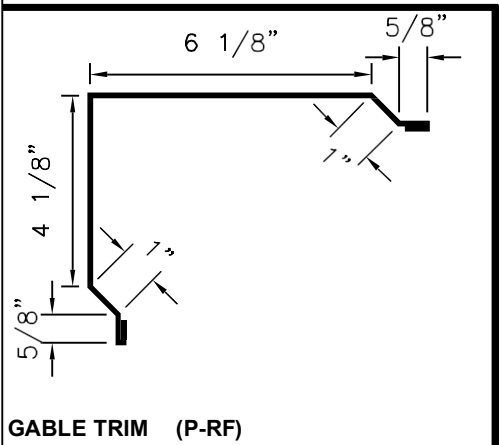
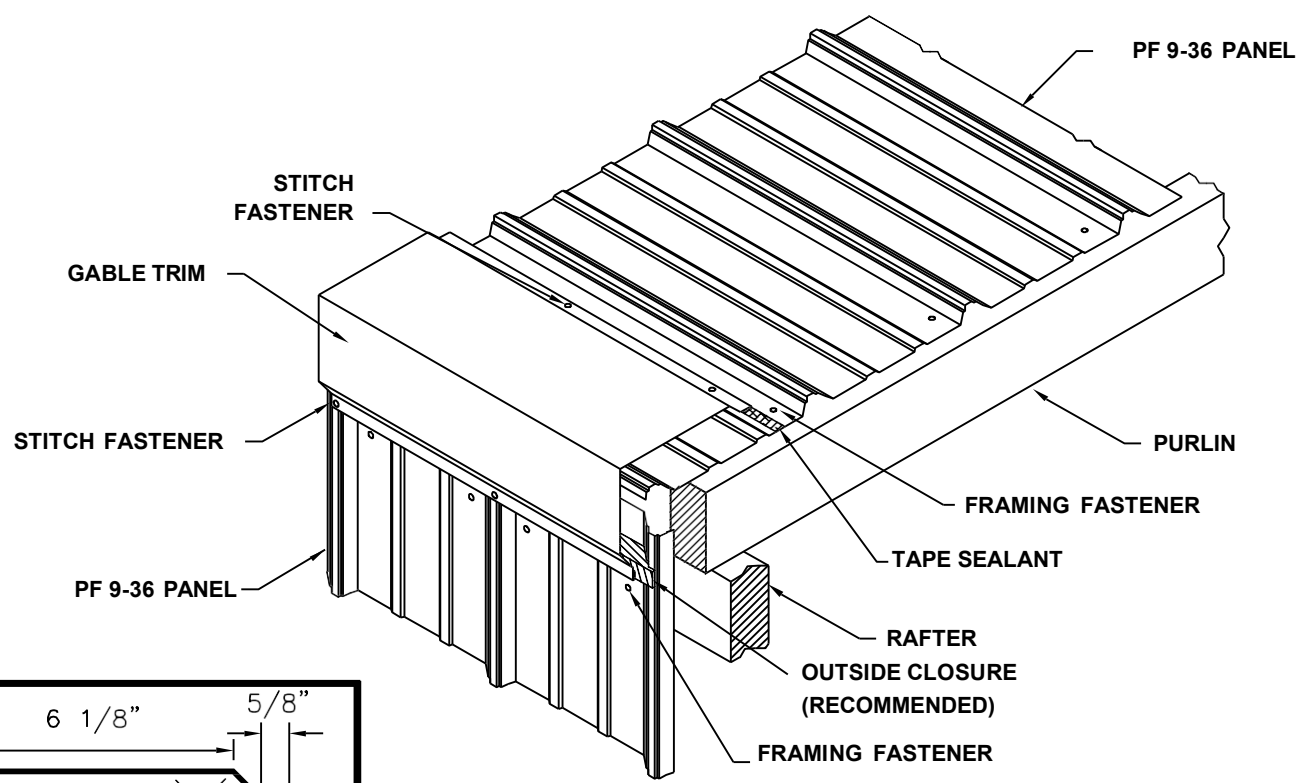
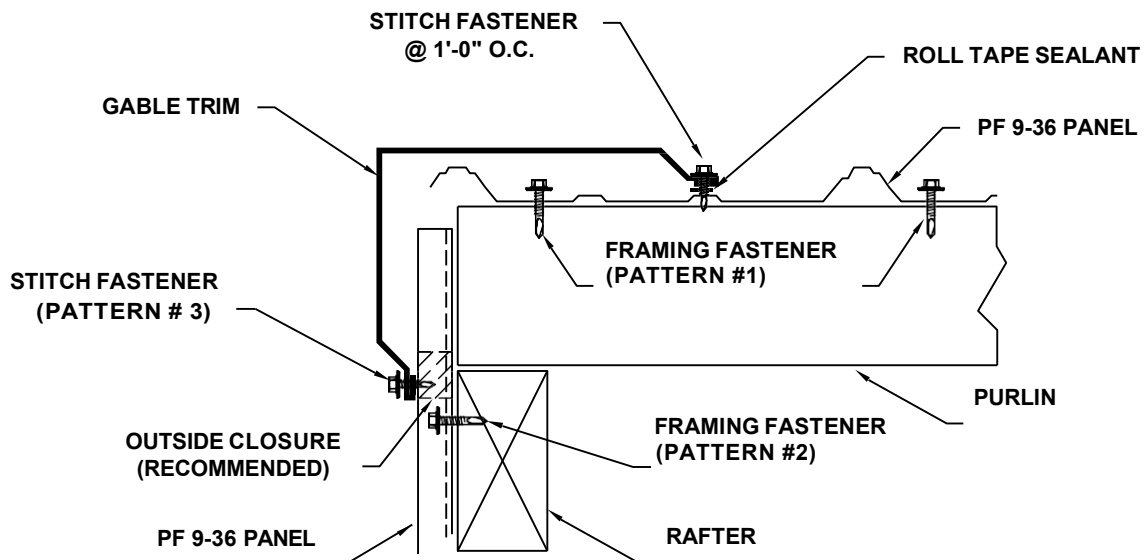
EAVE DETAIL



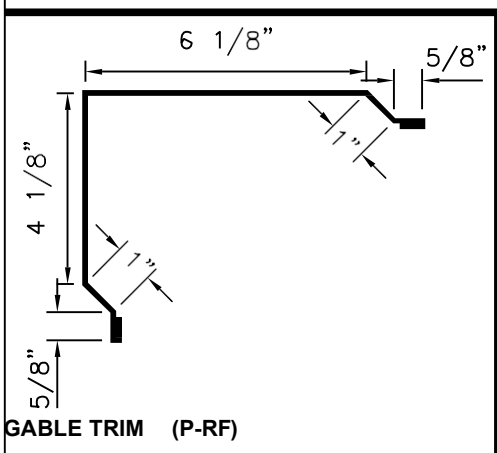
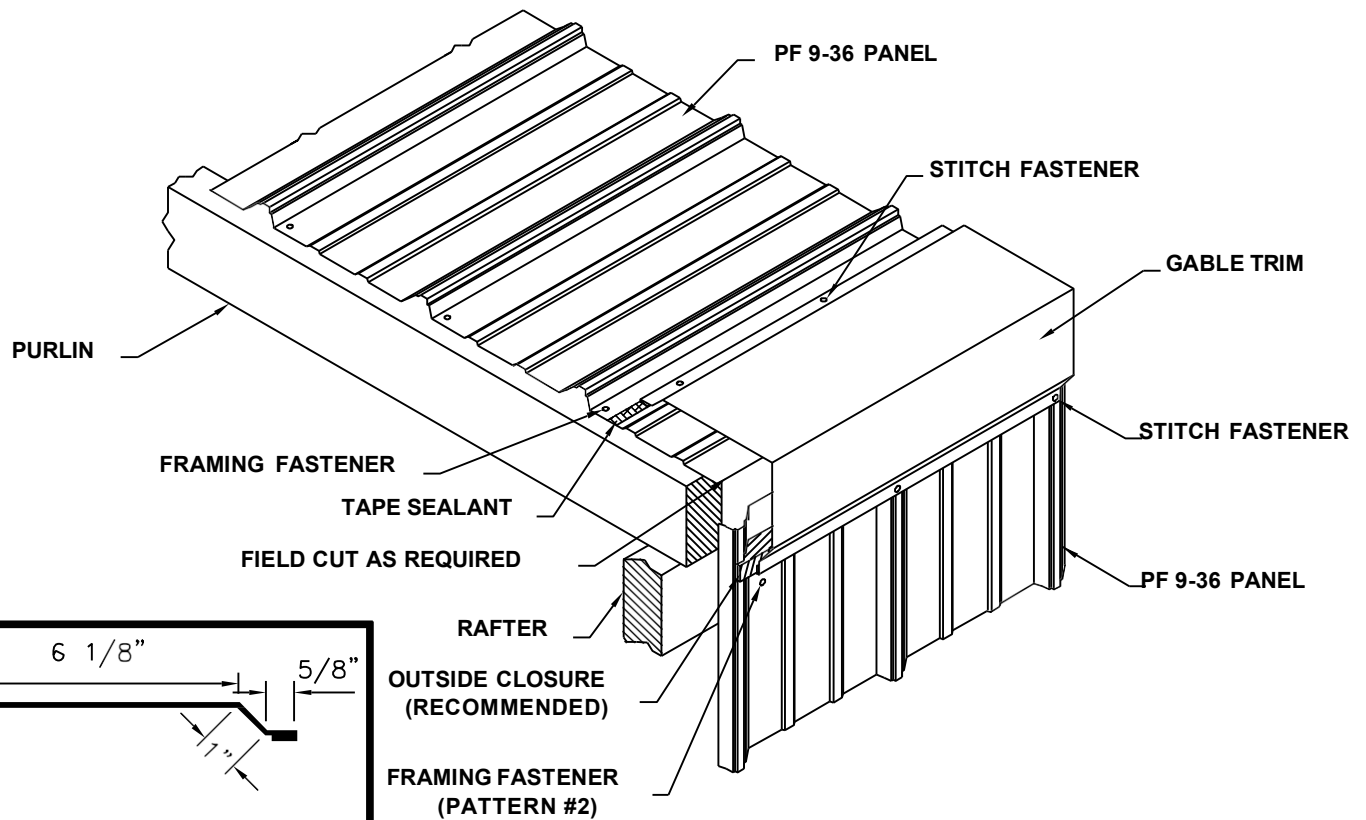
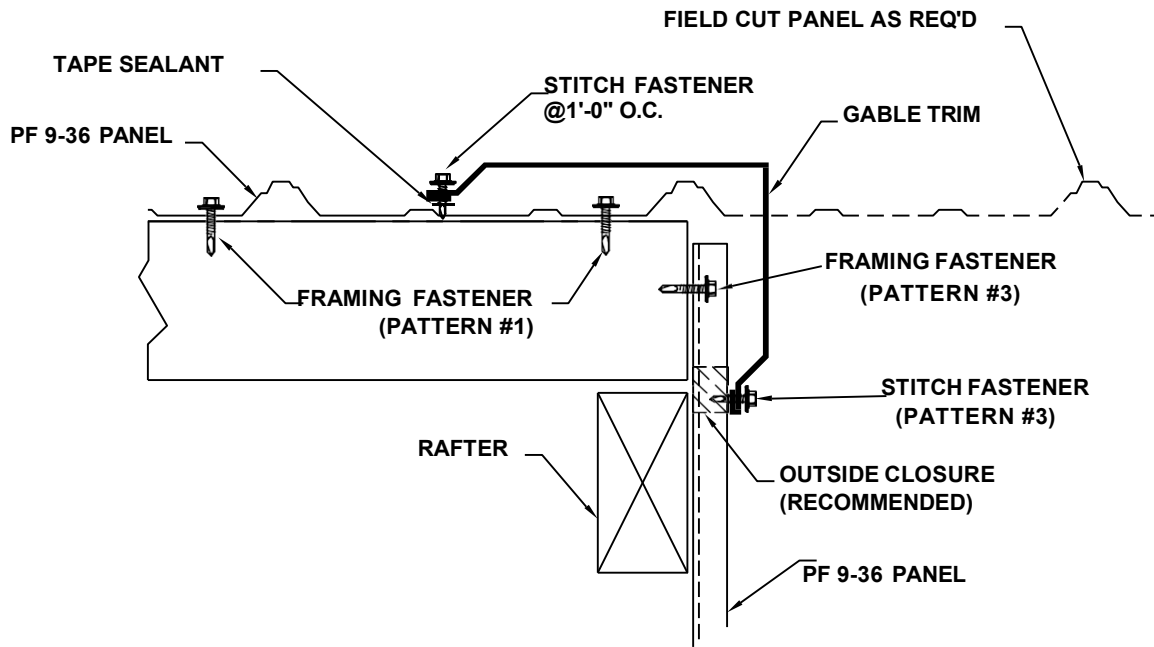
SOFFIT AND VENTED EAVE DETAIL



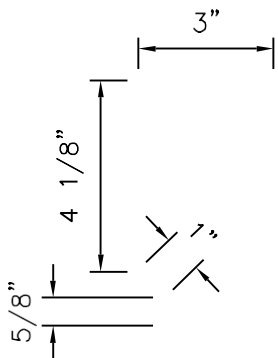
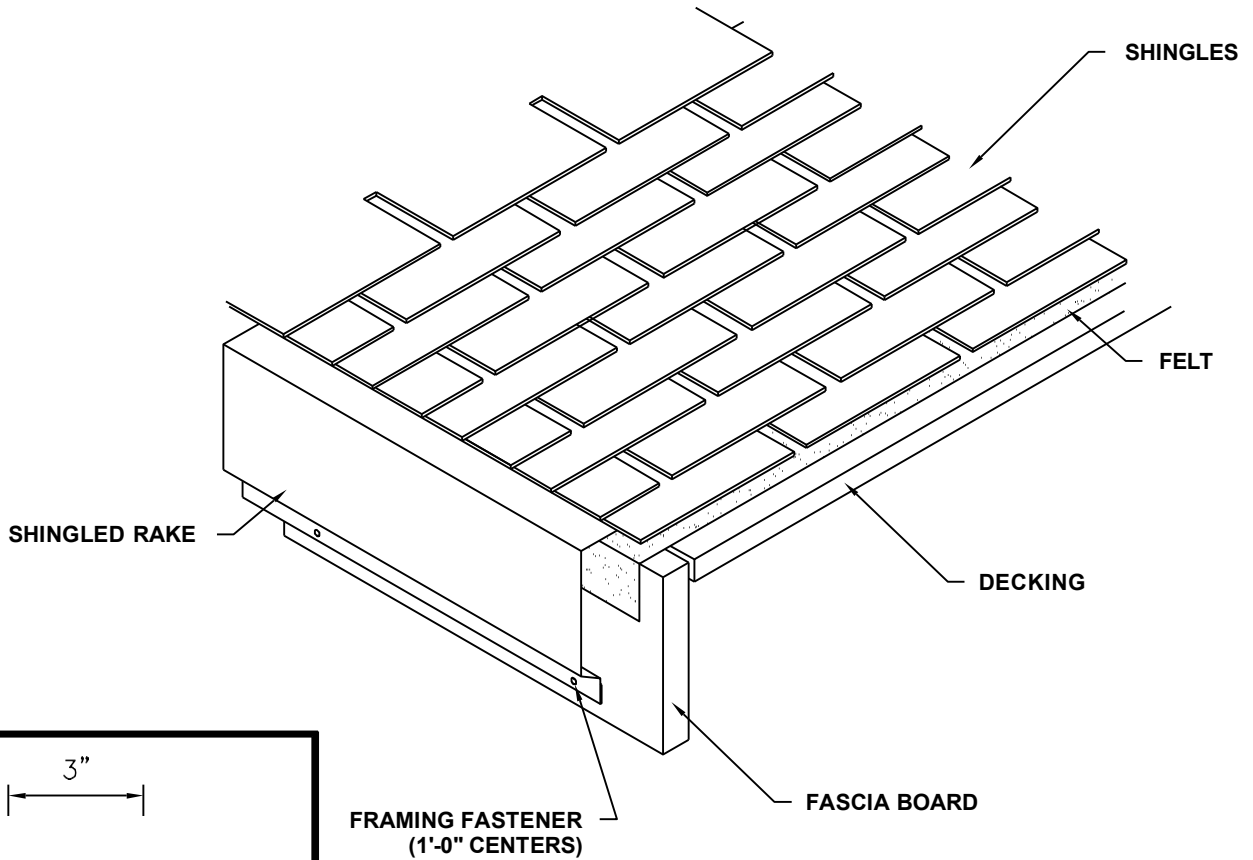
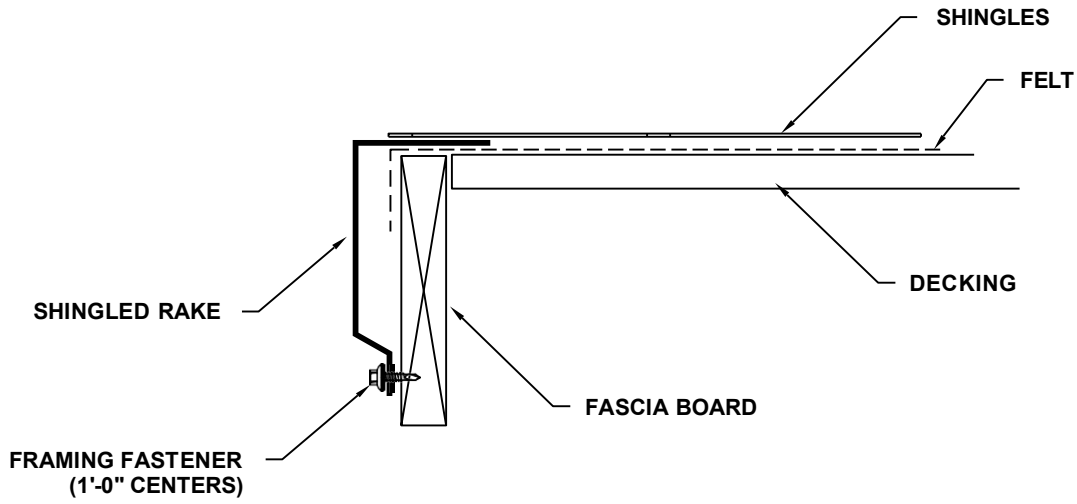
GABLE / RAKE START DETAIL



GABLE / RAKE END DETAIL

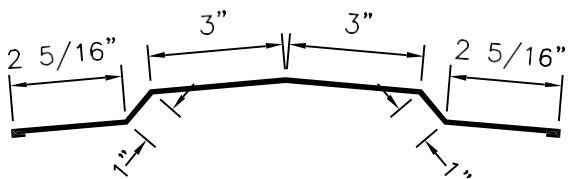
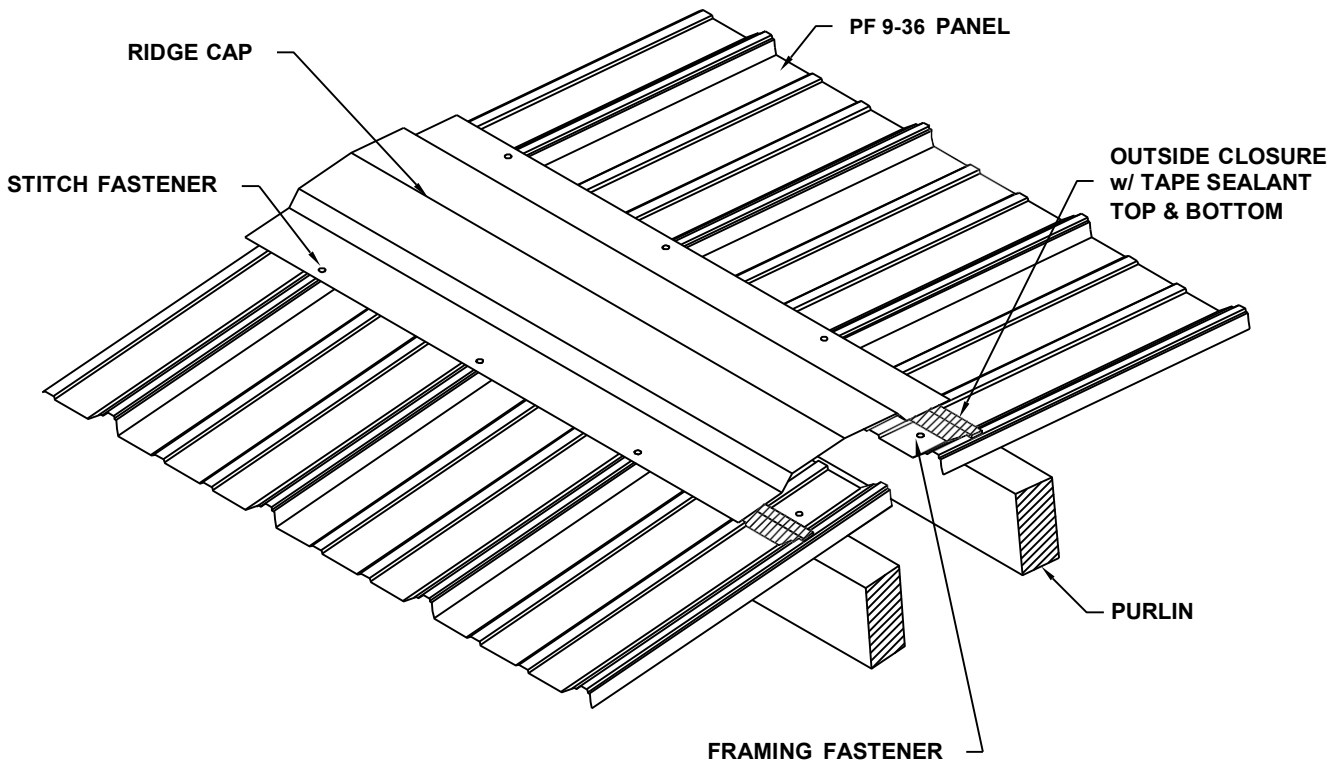
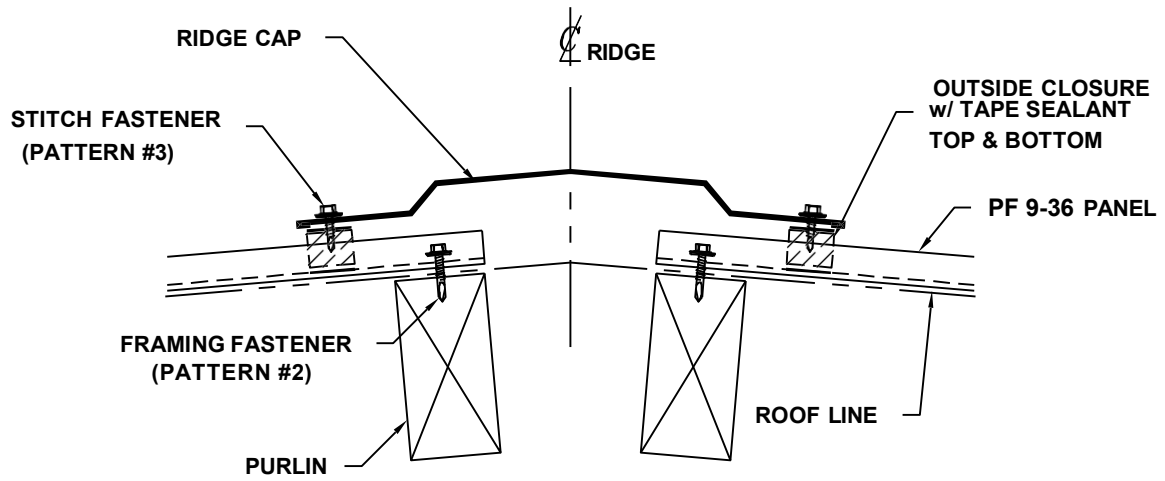


SHINGLED RAKE DETAIL



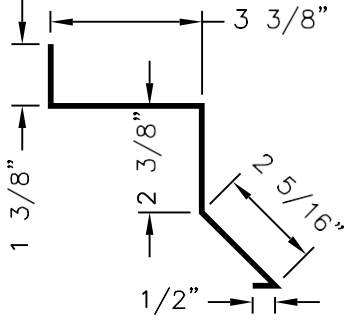
SHINGLED RAKE TRIM (P-SRT)

RIDGE DETAIL

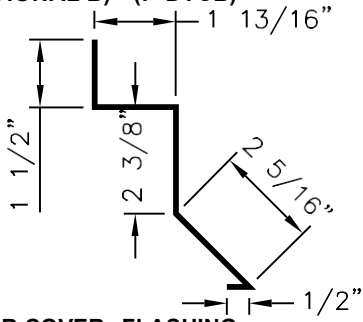


RIDGE CAP

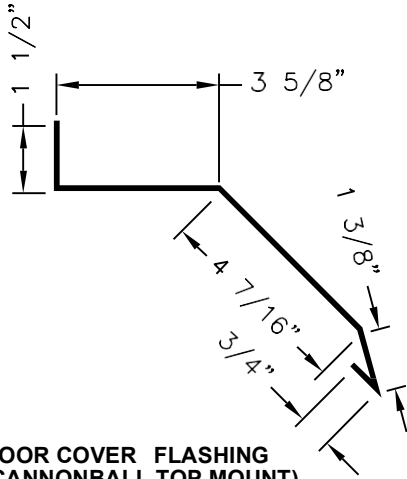
SLIDING DOOR DETAIL



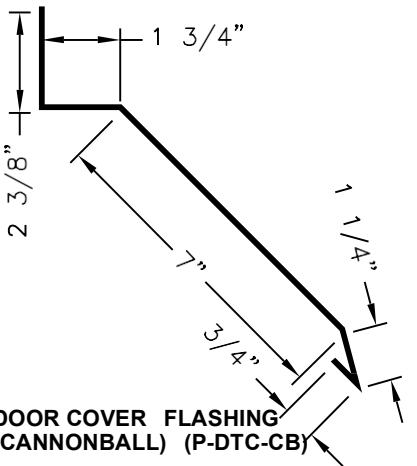
**DOOR COVER FLASHING
(NATIONAL B) (P-DTCB)**



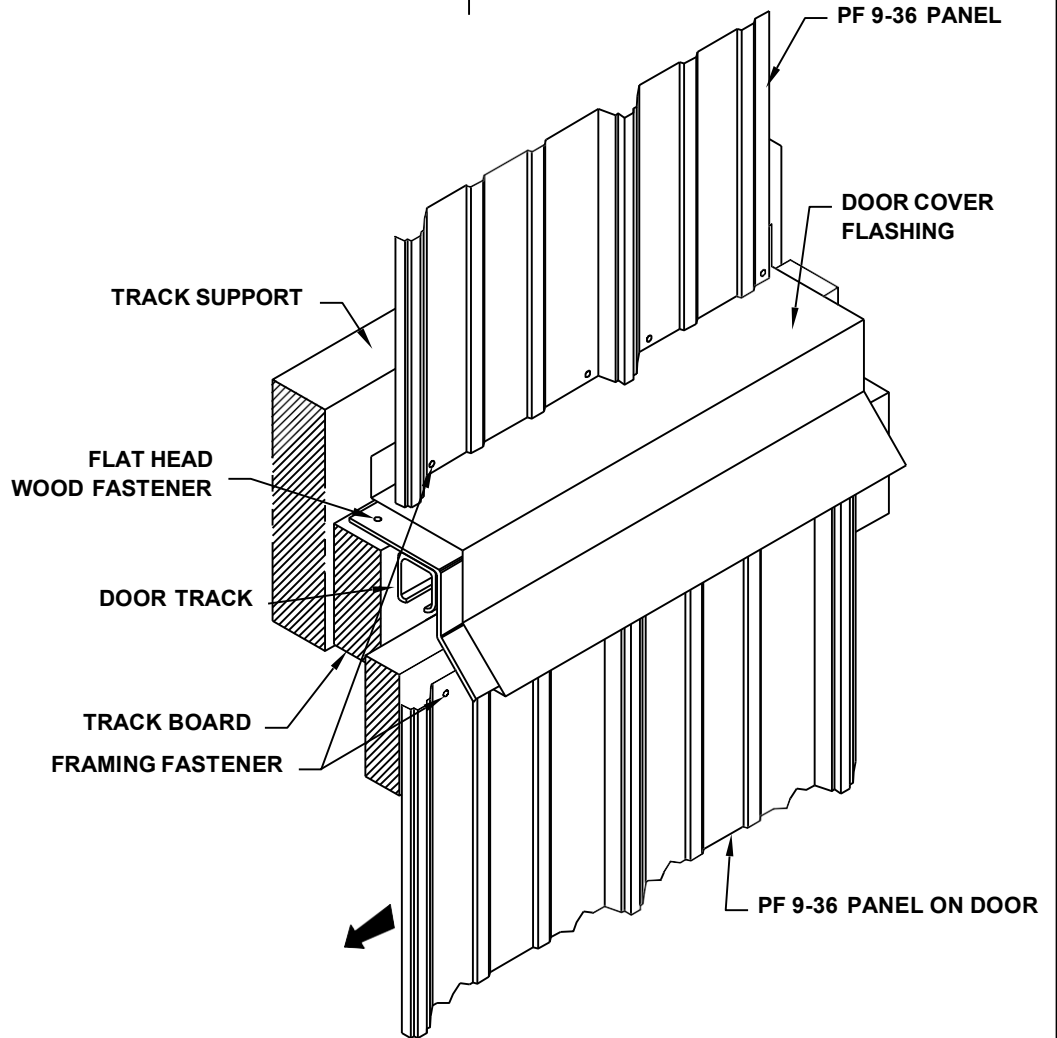
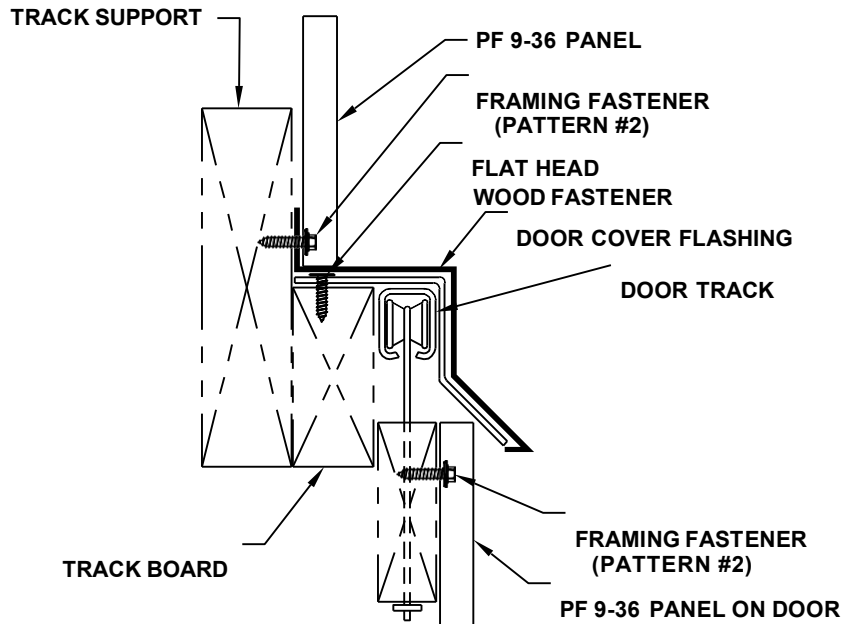
**DOOR COVER FLASHING
(NATIONAL A) (P-DTCA)**



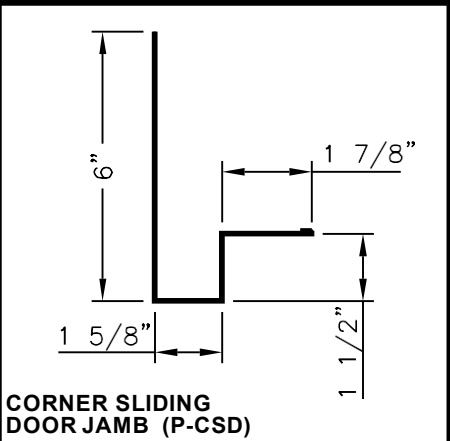
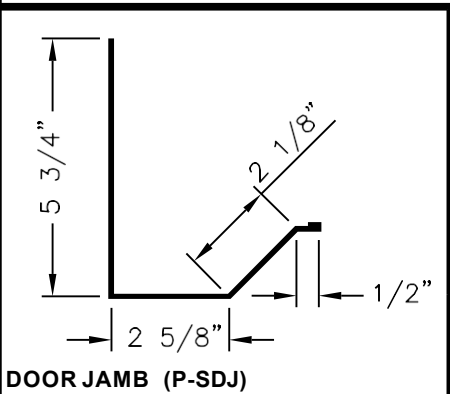
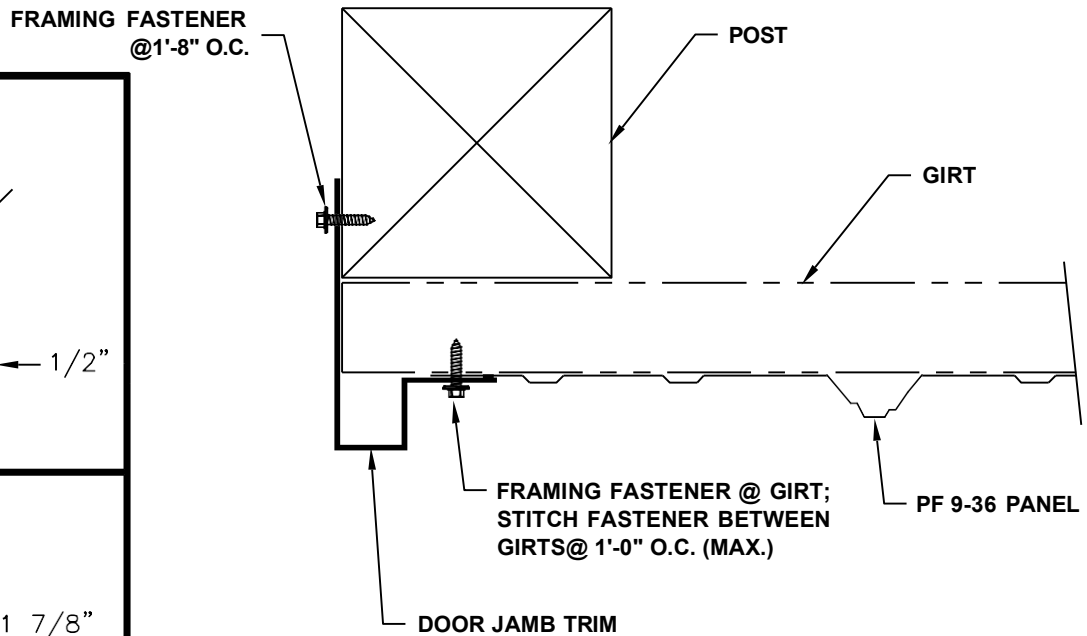
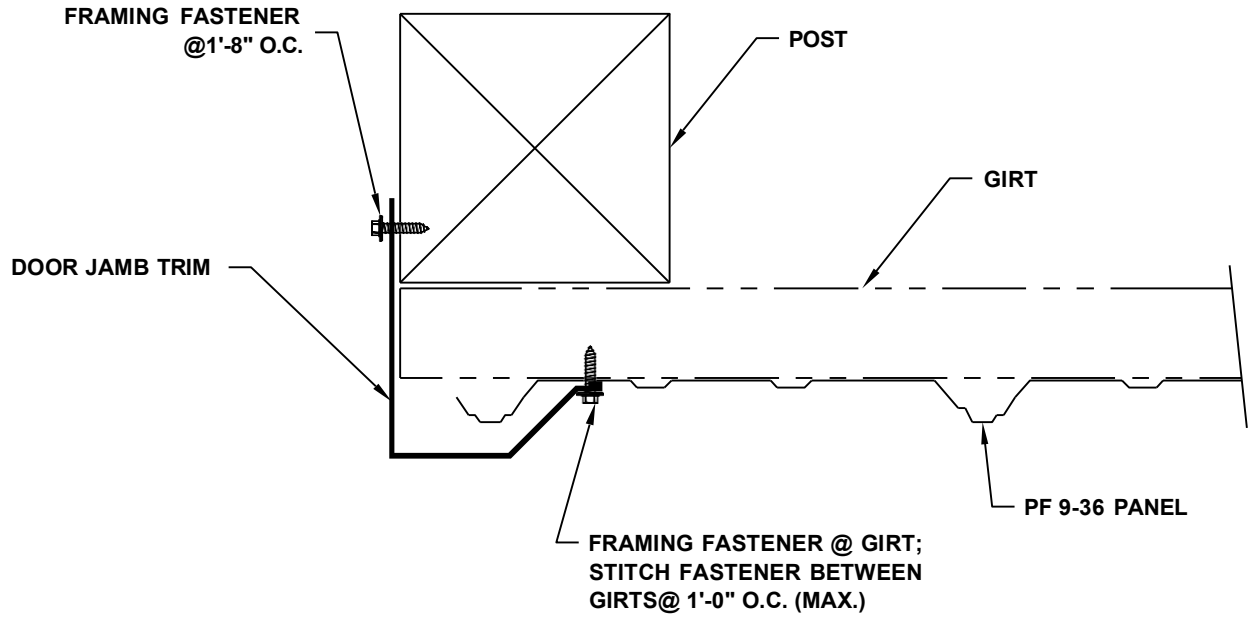
**DOOR COVER FLASHING
(CANNONBALL TOP MOUNT)**



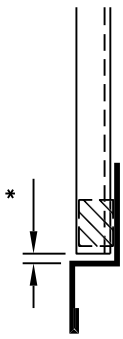
**DOOR COVER FLASHING
(CANNONBALL) (P-DTC-CB)**



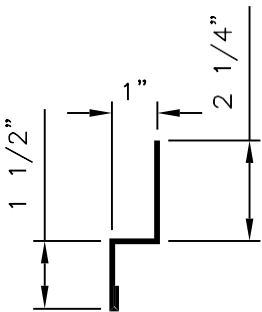
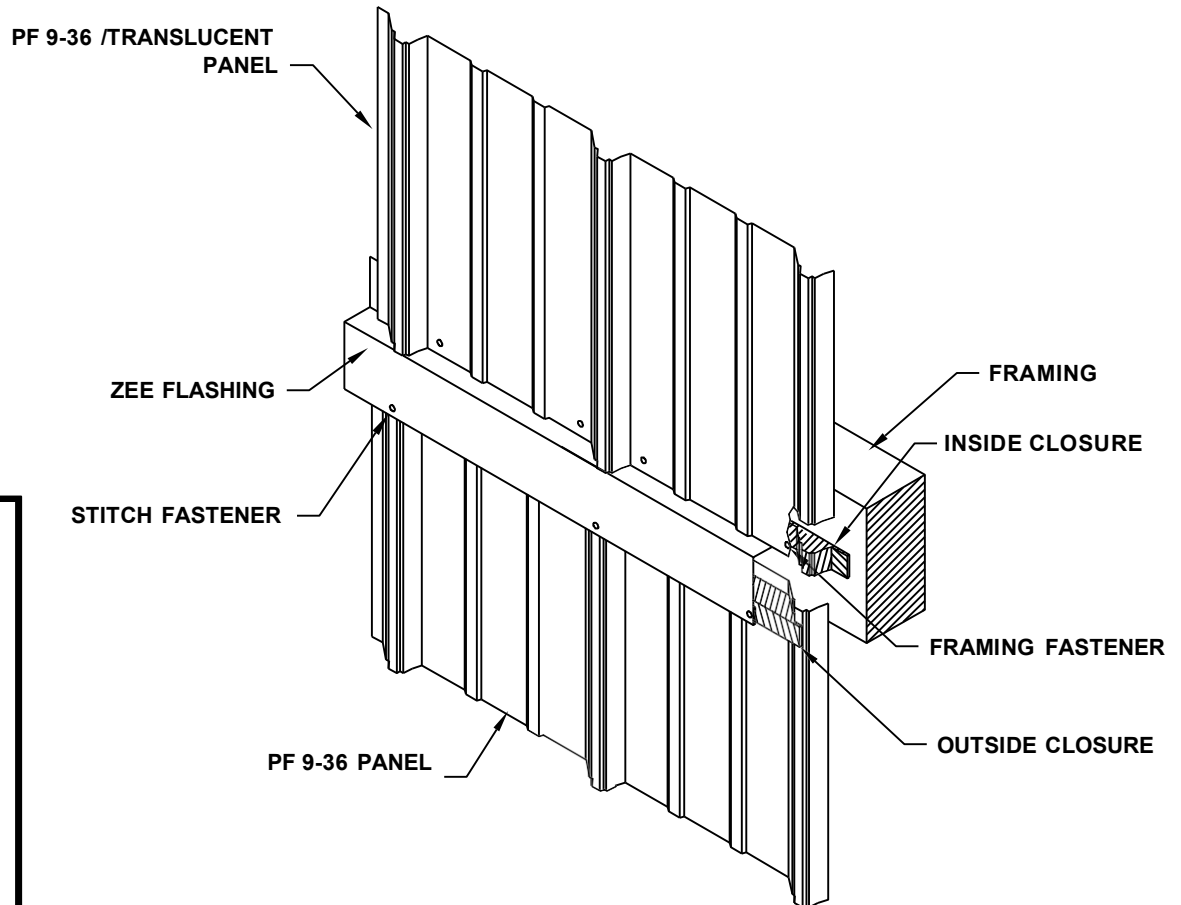
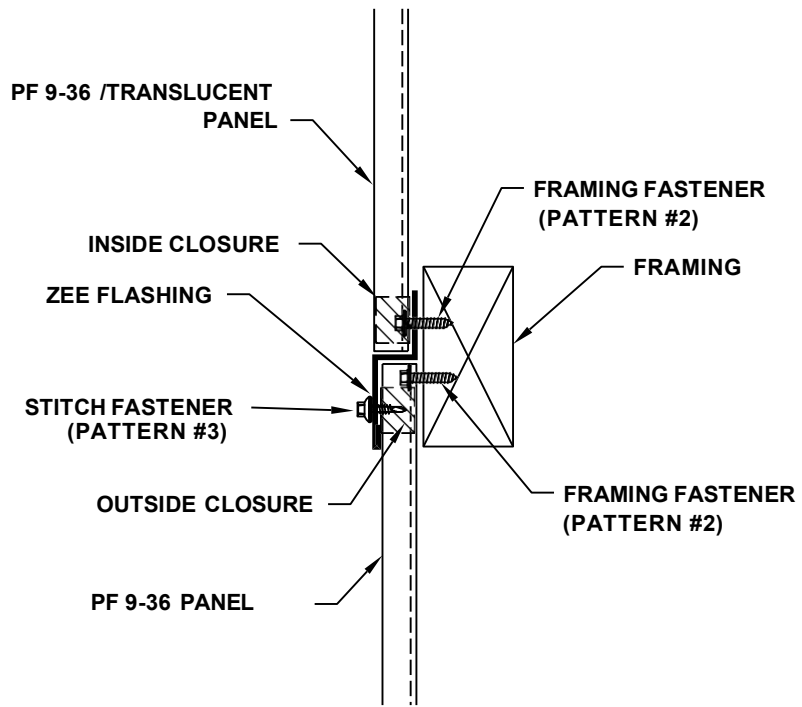
SLIDING DOOR JAMB DETAIL



GABLE END / ZEE FLASHING DETAIL

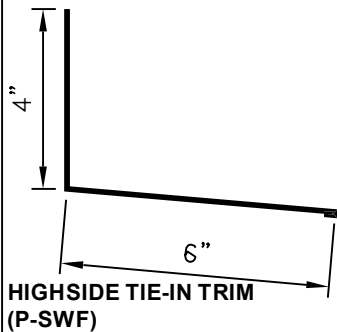
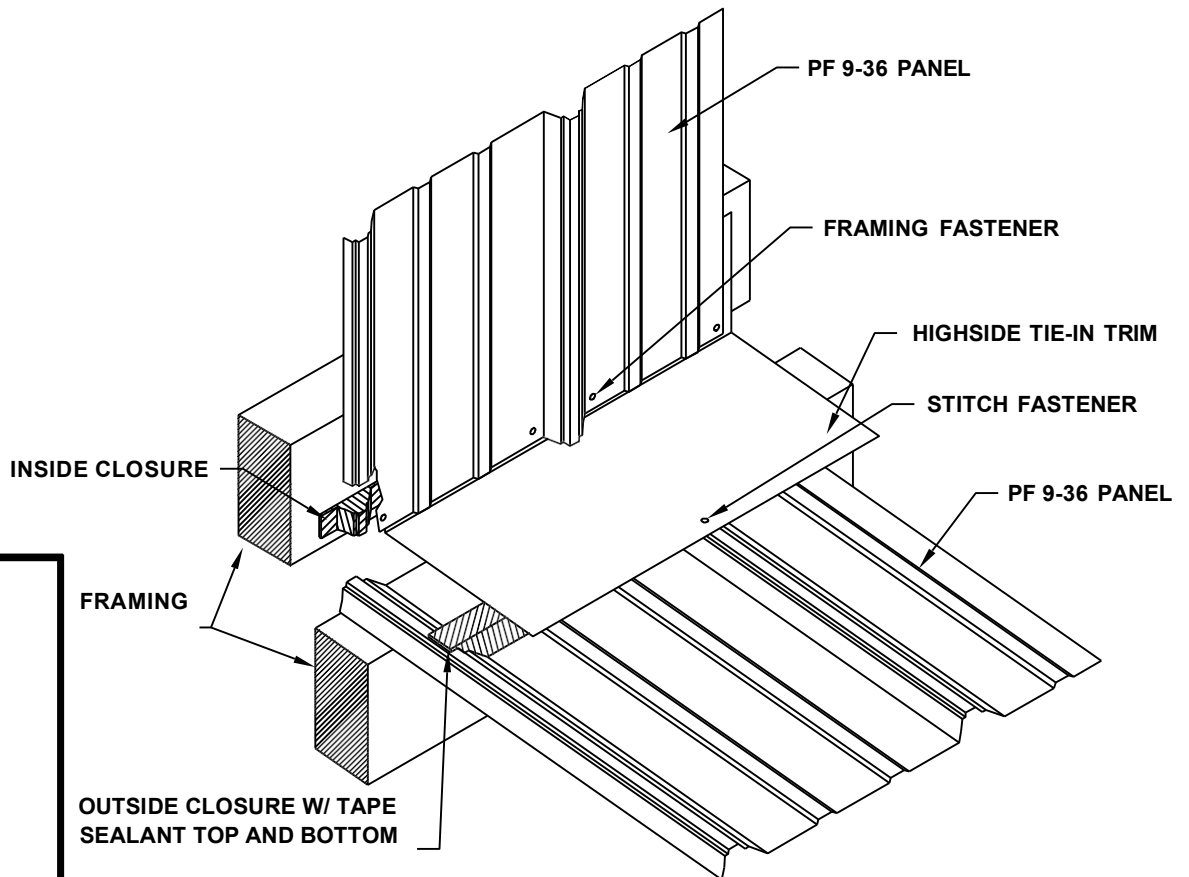
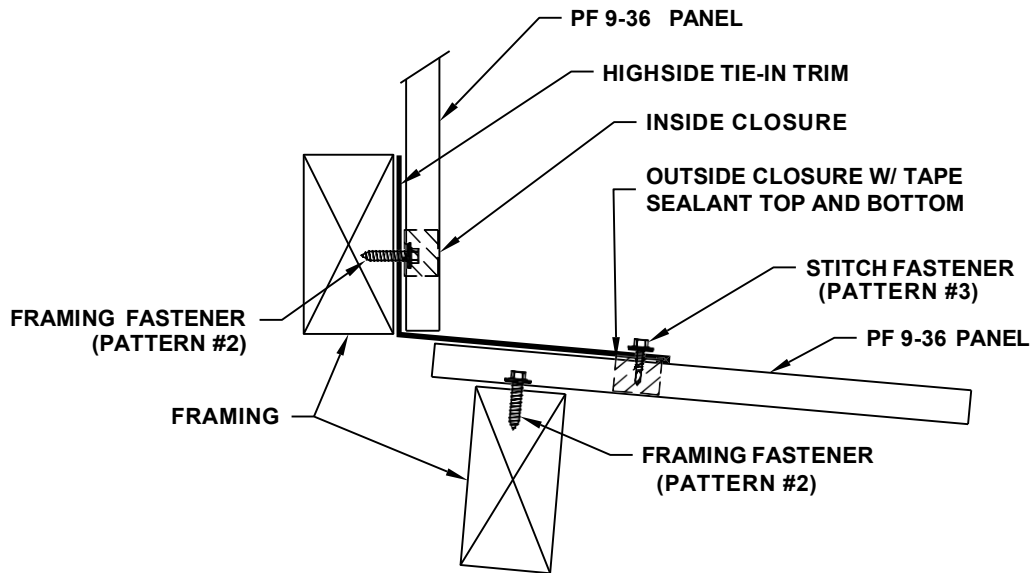


* 1/8" MIN. CLEARANCE BETWEEN PANEL AND ZEE FLASHING.

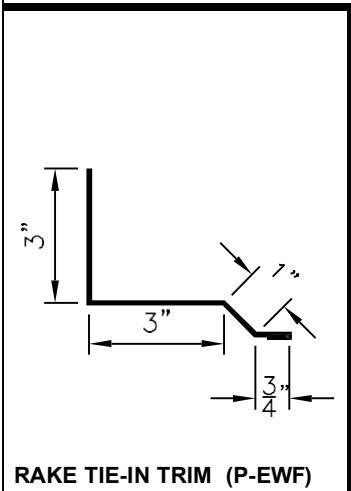
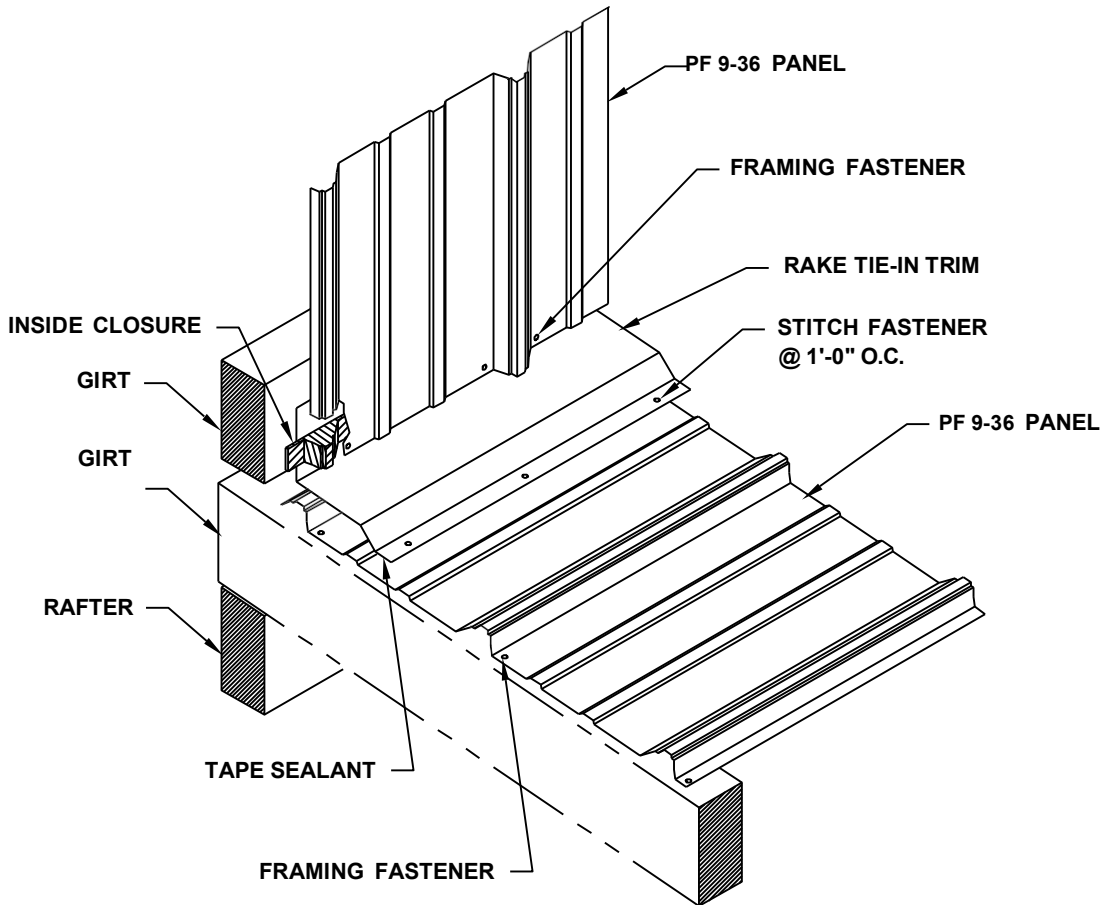
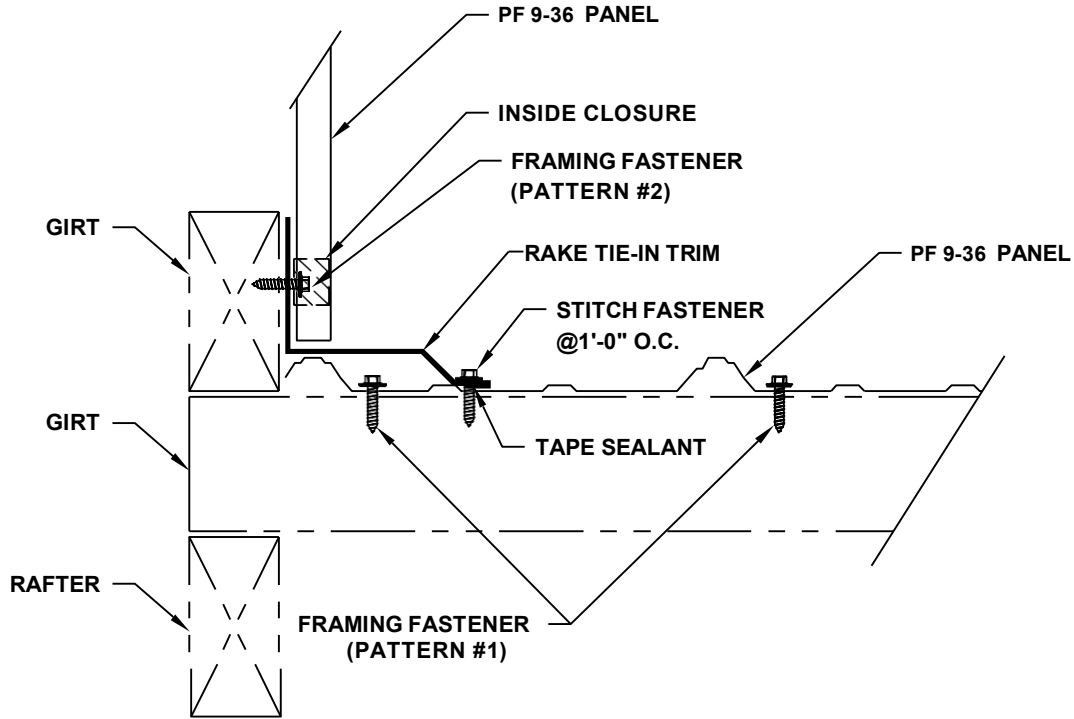


ZEE FLASHING (P-ZF)

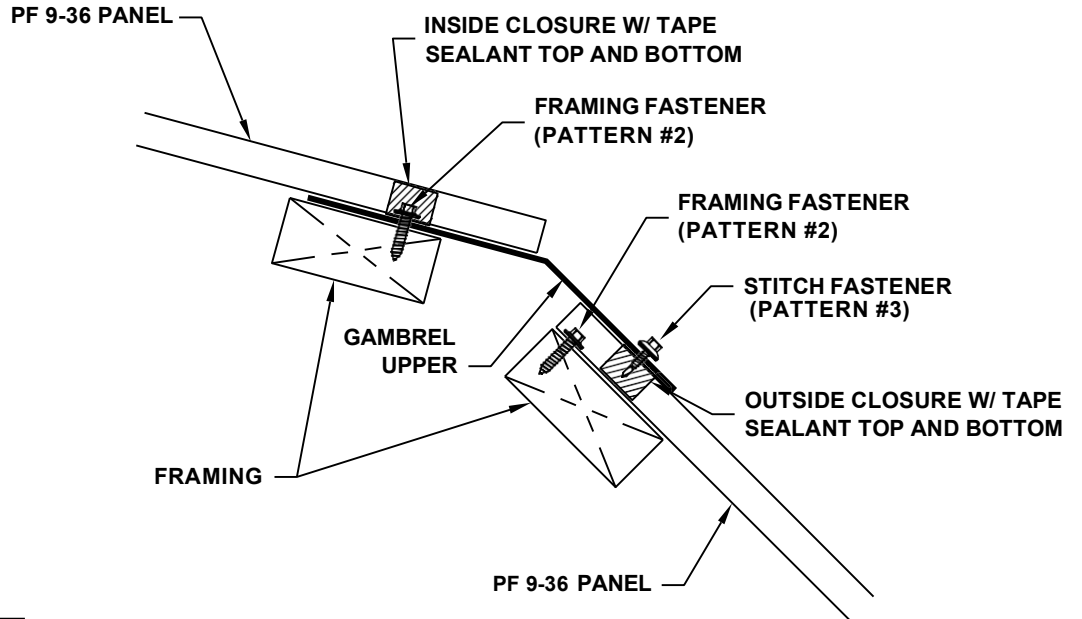
HIGHSIDE TIE-IN DETAIL



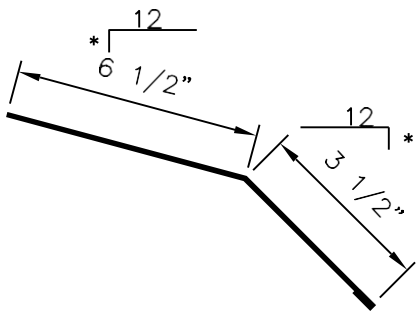
RAKE TIE-IN



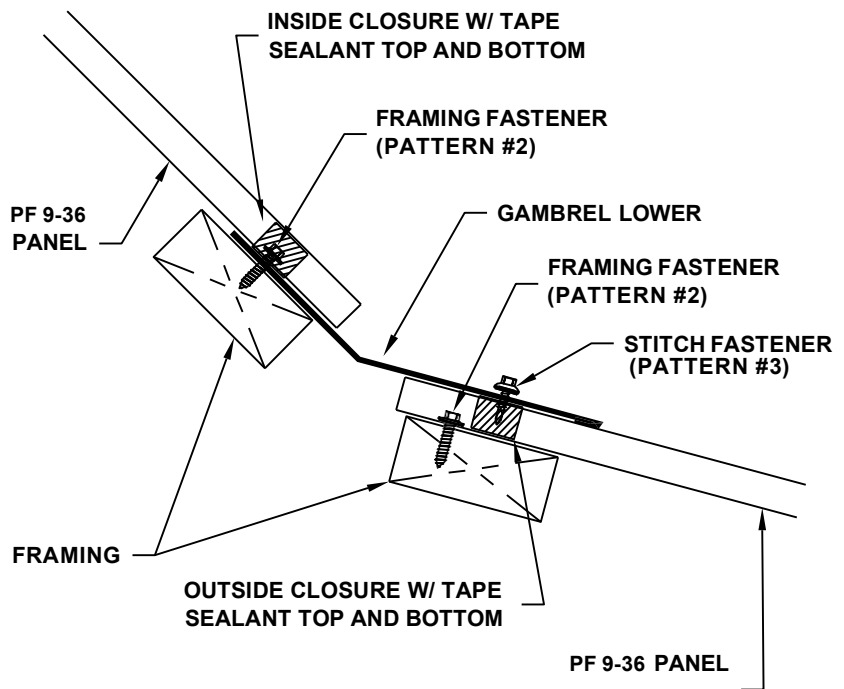
GAMBREL AND TRANSITION DETAIL



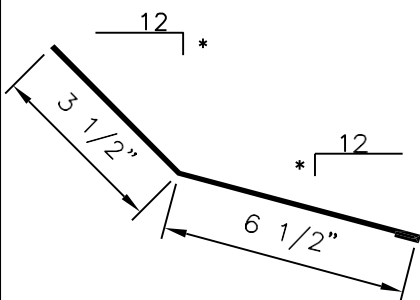
SPEC. GAMBREL UPPER



(* SPECIFY PITCH)

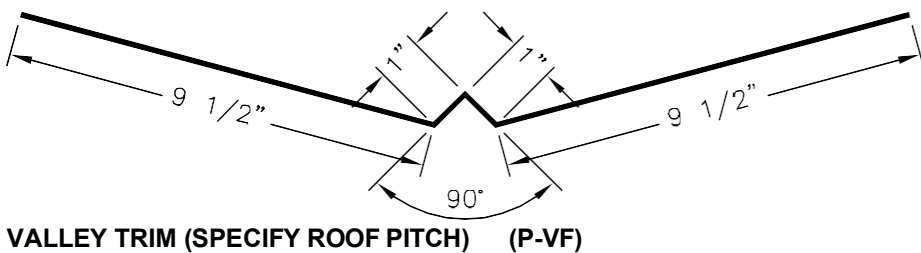
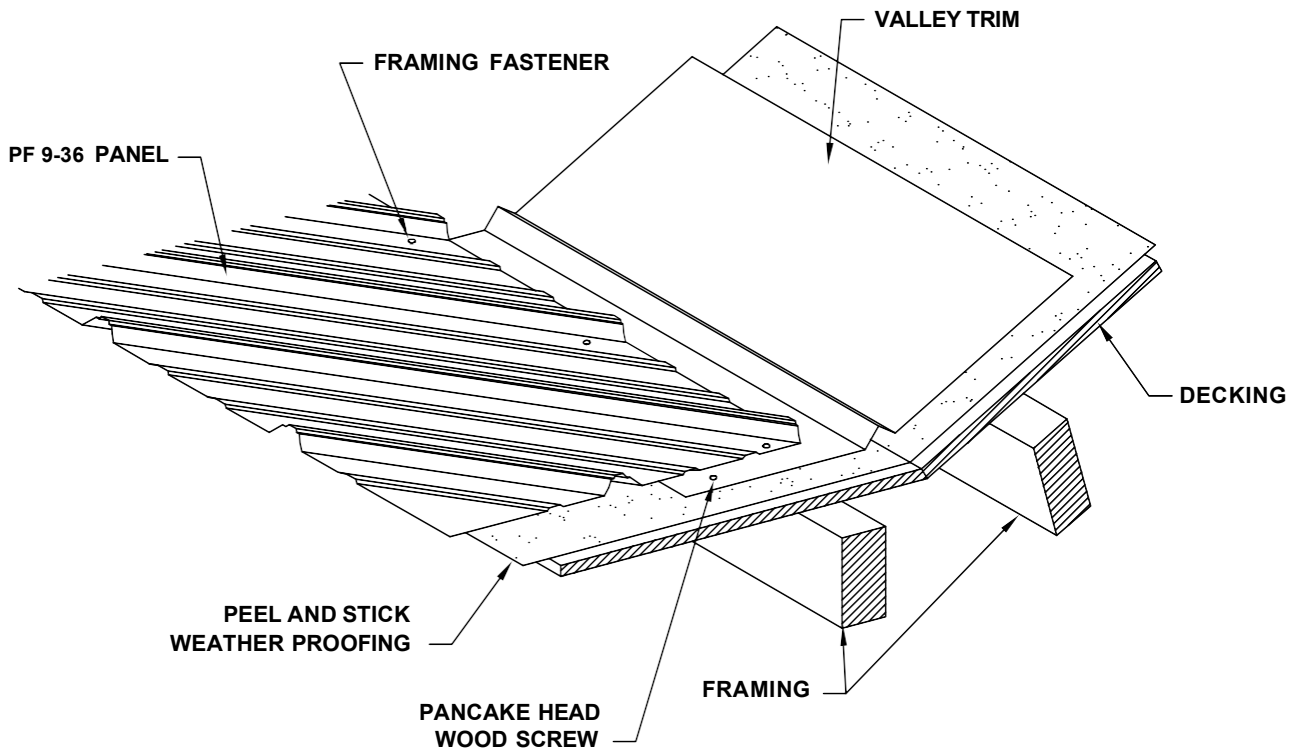
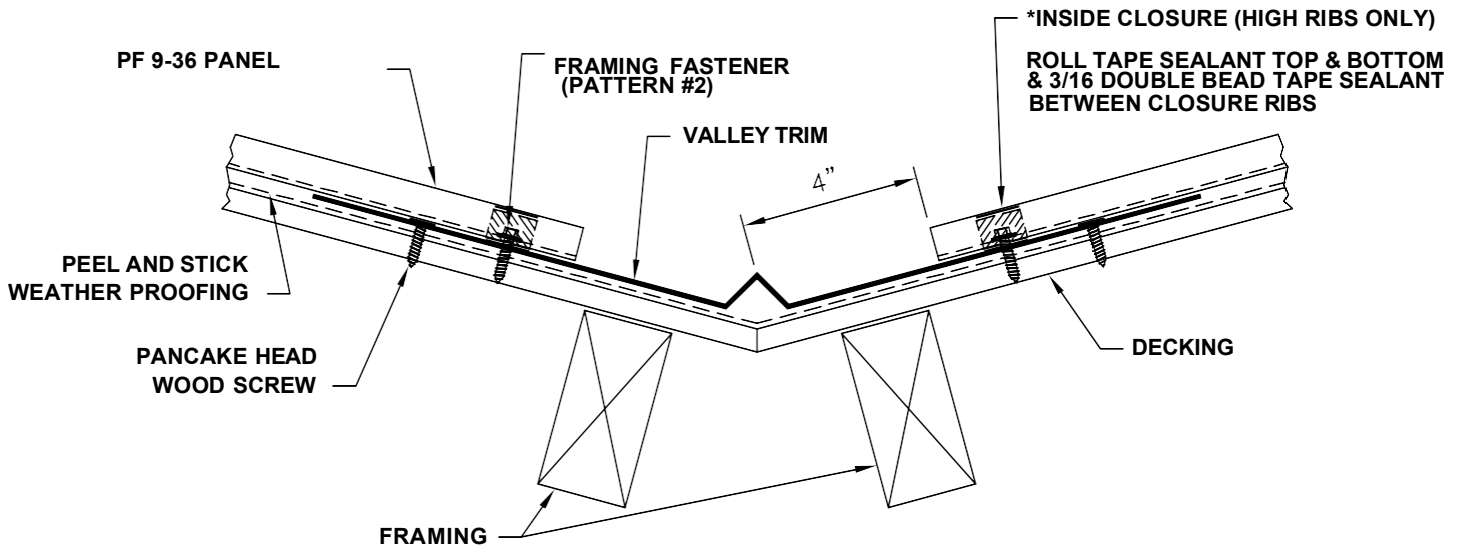


SPEC. GAMBREL LOWER



(* SPECIFY PITCH)

VALLEY DETAIL



***NOTE: USE HIGH RIB OF CLOSURE ONLY!
PLACE CLOSURE SQUARE TO PANEL RUN
WITH TAPE ON TOP AND BOTTOM. RUN 3/16"
DOUBLE BEAD TAPE SEALANT BETWEEN
HIGH RIBS FULL LENGTH OF VALLEY.**