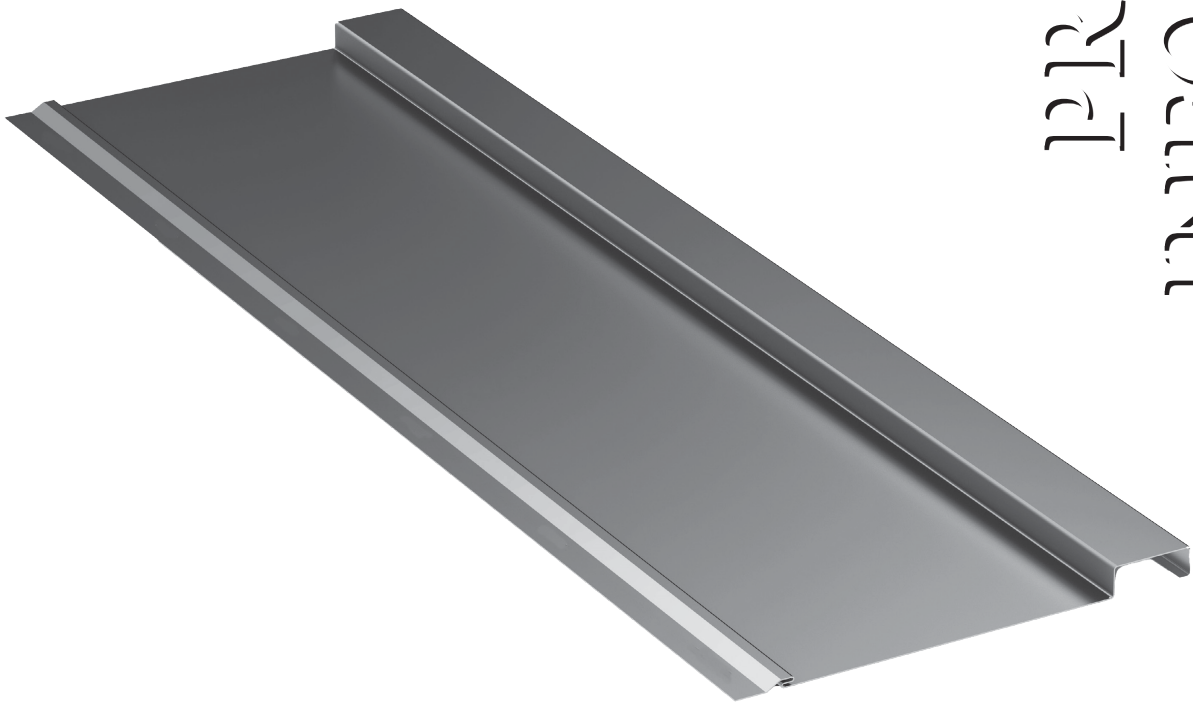




# PROFORM BOARD & BATTEN



PRODUCT  
INFORMATION

Corporate office 5719 50th Ave. Whitecourt, AB T7S 1N9  
Phone: 780-706-4467

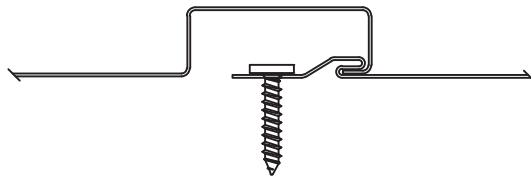
## Panel/Trim/Accessories

# PF BOARD & BATTEN

## DETAILS



PF Board and Batten



Typical Seam Engagement

### PF Load Tables and Section Properties

For any available Testing Data, Section Properties, or Load Tables, please visit [www.proformmetalsltd.com](http://www.proformmetalsltd.com). For additional information, please contact Proform Metals LTD 780-706-4467.

#### Details:

##### Applications

Wall panel.

##### Substrates

Plywood or OBS.

##### Material

Standard - 24 GA. ASTM A792 (50 ksi steel)

AZ55 - Bare

AZ50 - Painted

##### Manufacturing

Roll-formed in factory.

##### Finishes

Acrylic Coated Galvalume®

Fluoropolymer (Kynar 500® PVDF resin-based)

#### Pan Conditions

Flat Pan

Oil canning is inherent in all metal panels and is not cause for panel rejection.

#### Testing \*

Uplift: ASTM E1592 (Pending)

Air & Water: ASTM E283, ASTM E331 (Pending)

\*Testing and Approvals are product specific.

Please inquire for details\*

#### Note:

- Contents in this manual are subject to change without notice. To confirm this book is the most current copy, please visit Proforms website at [www.proformmetalsltd.com](http://www.proformmetalsltd.com).

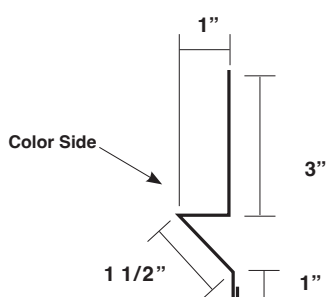
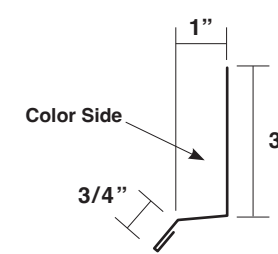
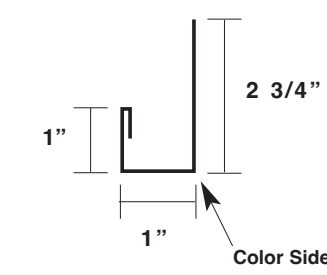
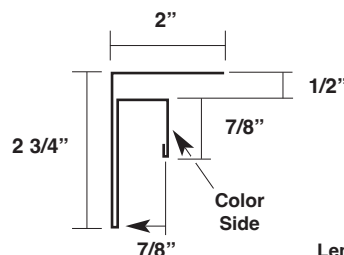
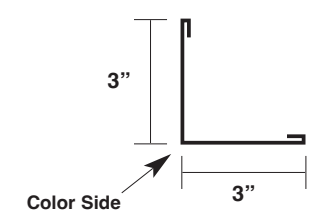
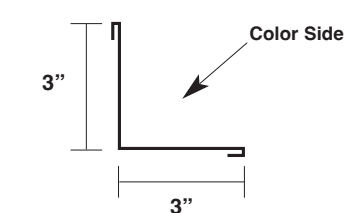
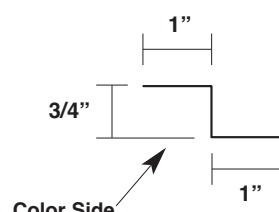
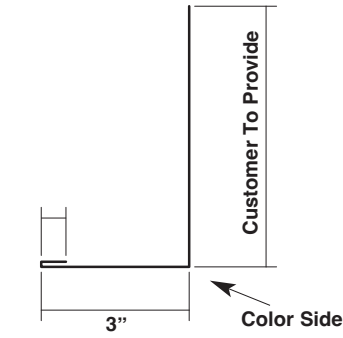
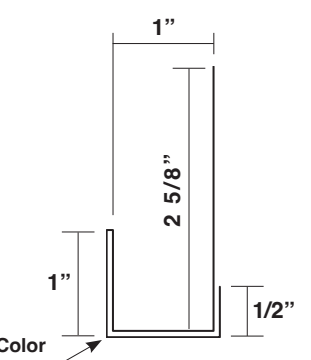
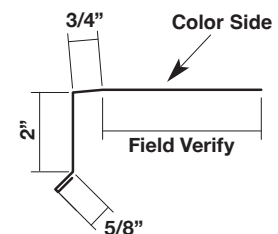
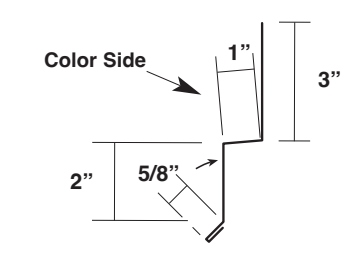
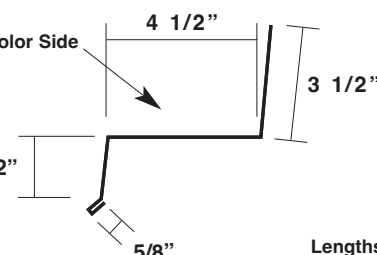
---

# PF Board & Batton

---

# PF Board & Batton

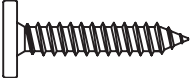
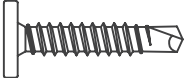
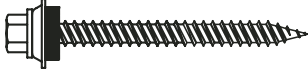
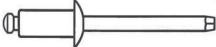

## TRIM

<p><b>Base Trim</b></p>  <p>Color Side</p> <p>Lengths: 10' - 3" 14' - 3"</p>	<p><b>Simple Base Trim</b></p>  <p>Color Side</p> <p>Lengths: 10' - 3" 14' - 3"</p>	<p><b>Head/Jamb Trim</b></p>  <p>Color Side</p> <p>Lengths: 10' - 3" 14' - 3"</p>
<p><b>F and J x 1/2" MTFJ12</b></p>  <p>Color Side</p> <p>Lengths: 10' - 3" 14' - 3" 16' - 3"</p>	<p><b>Outside Angle Trim</b></p>  <p>Color Side</p> <p>Lengths: 10' - 3" 14' - 3"</p>	<p><b>Inside Angle Trim</b></p>  <p>Color Side</p> <p>Lengths: 10' - 3" 14' - 3"</p>
<p><b>Zee Closure MT-184</b></p>  <p>Color Side</p>	<p><b>Special Jamb Trim</b></p>  <p>Customer To Provide</p> <p>Color Side</p>	<p><b>Alternate Head/Jamb Trim</b></p>  <p>Color Side</p> <p>Lengths: 10' - 3" 14' - 3" 20' - 3"</p>
<p><b>2" Sill Trim</b></p>  <p>Color Side</p> <p>Field Verify</p>	<p><b>**Vertical Splice Trim</b></p>  <p>Color Side</p>	<p><b>Masonry Wainscoat</b></p>  <p>Color Side</p> <p>Lengths: 10' - 3" 14' - 3"</p>

(H) Indicates an open hem. All other hems are closed.

# PF Board & Batton

## ACCESSORIES

<p>#10 - 12 x 1" Type A Pancake Head Woodgrip Item #: 36116001</p> 	<p>#10 - 16 x 1" TEK2 Pancake Head Self-Driller Item #: 36117</p> 	<p>#9 - 15 Type A Woodgrip W/Washer - Plain (Part # varies by color)</p>  <p>Lengths: 1" 1 1/2" 2" 2 1/2"</p>
<p>43D PopRivets (Part # Varies by Color)</p> 	<p>Titebond Caulk Sealant (Part # varies by color)</p> 	

---

# PF Board & Batton

NOTES

---

# PF Board & Batton

NOTES

