

**Proform**

**PF-12-36**



**INSTALATION**

# TABLE OF CONTENTS

PAGE NUMBER:	DETAIL DESCRIPTION
A-1.....	TABLE OF CONTENTS
A-2.....	GENERAL NOTES
B-1.....	FASTENER PATTERNS
C-1.....	SIMPLE BASE w/o CONCRETE NOTCH TRIM DETAIL
C-2.....	BASE TRIM DETAIL
C-3.....	SIMPLE BASE w/ CONCRETE NOTCH DETAIL
C-4.....	WALL PANEL TO GIRT DETAIL
C-5.....	OUTSIDE CORNER DETAIL
C-6.....	INSIDE CORNER DETAIL
C-7.....	HEAD TRIM DETAIL
C-8.....	JAMB TRIM DETAIL
C-9.....	EAVE DETAIL
C-10.....	EAVE w/ GUTTER DETAIL
C-11.....	ROOF PANEL LAP DETAIL
C-12.....	INTERMEDIATE PURLIN DETAIL
C-13.....	RIDGE DETAIL
C-14.....	RAKE DETAIL
C-15.....	RAKE TIE-IN DETAIL
C-16.....	HIGH SIDE EAVE DETAIL
C-17.....	HIGH SIDE TIE-IN DETAIL
C-18.....	MASONRY WAINSCOAT DETAIL
C-19.....	DIE-FORMED RIDGE CAP DETAIL
C-20.....	TYPICAL TRIM LAP DETAILS

# GENERAL NOTES

The details shown on the following pages are suggestions or guidelines for installing the PF-12-36 Panel wall and roof panel system. The installation details shown here are proven methods of construction, but they are not intended to cover all building requirements, designs or codes. The details may require changes or revisions due to individual project conditions.

Installation procedures shall be in accordance with the manufacturer's printed instructions, details or approved shop drawings. Installers should thoroughly familiarized themselves with all instructions prior to beginning the installation process.

The designer/installer is responsible to ensure the following:

That the details here meet the particular building requirements.

That adequate water tightness is maintained.

That a proper uniform substructure is used to avoid panel distortion and that the substructure meets necessary code requirements.

That all supporting members have been examined and are straight, level and plumb.

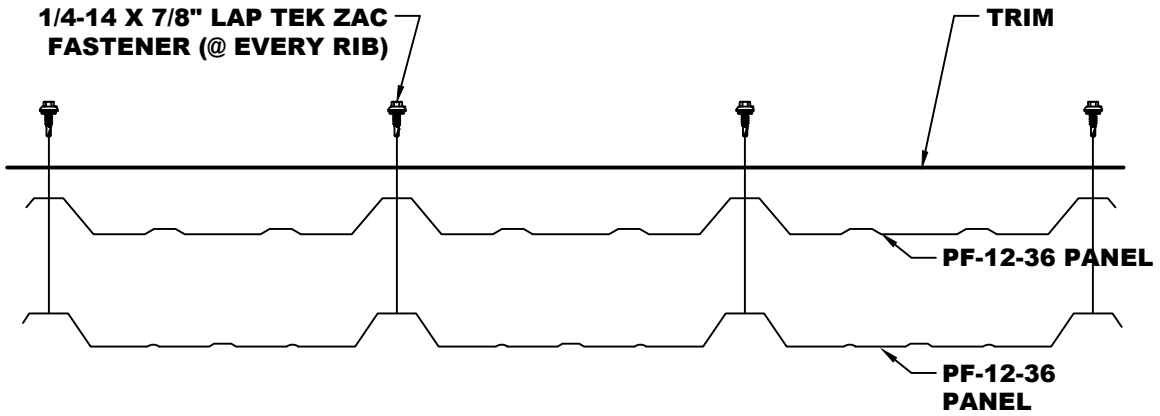
Proform Metals LTD can provide all flashings and accessories shown in the installation drawings unless noted otherwise. Panels, flashing and trim shall be installed true and in proper alignment with any exposed fasteners equally spaced for the best appearance. Sealant shall be field applied on a clean, dry surface.

Some field cutting and fitting of panels and flashings is to be expected and to be considered a part of normal installation work. Workmanship shall be of the best industry standards and with installation performed by experienced metal craftsmen.

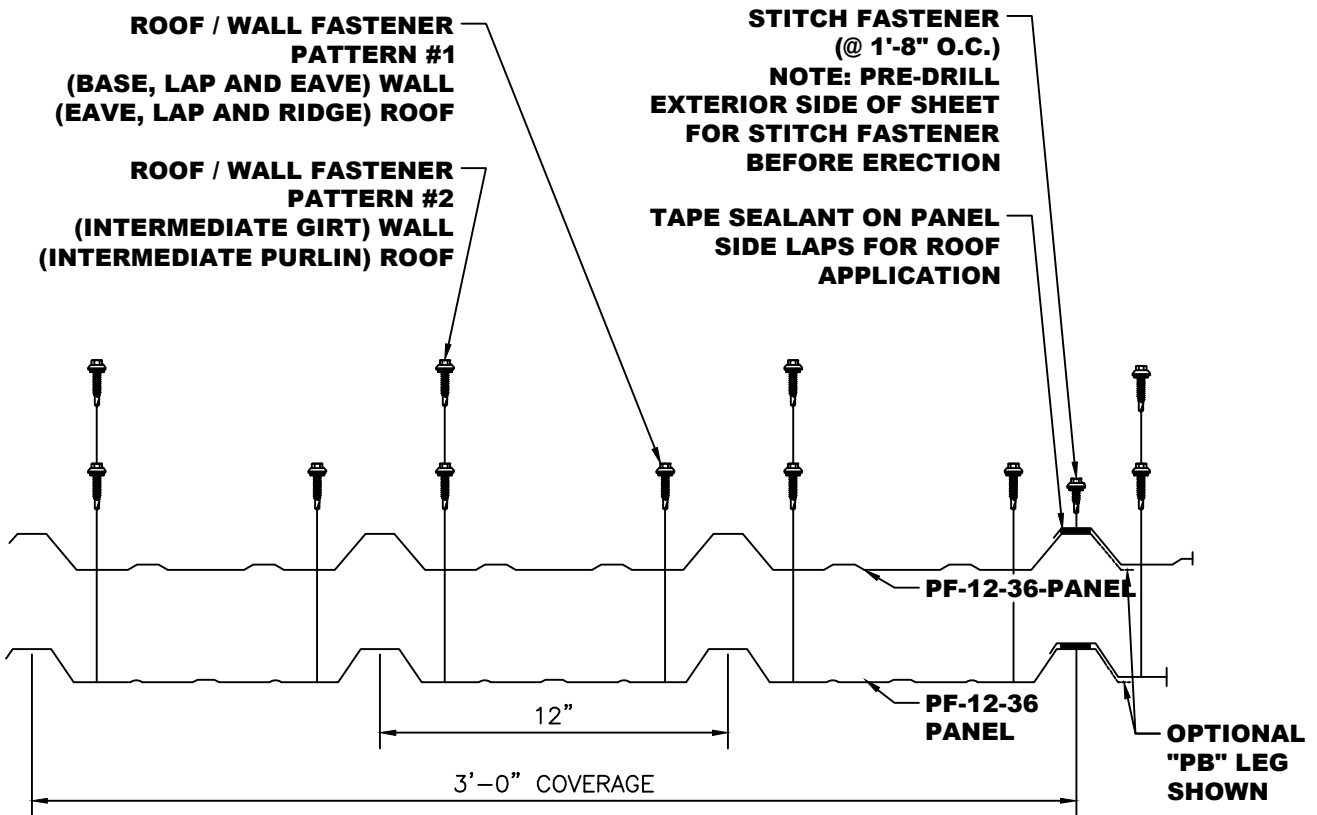
Oil canning of metal panels is inherent in the product and is not a cause for rejection.

Contents of this manual are subject to change without notice. To confirm this book is the most current copy, please visit Proform Metal LTD's website at [www.proformmetalltd.com](http://www.proformmetalltd.com).

# FASTENER PATTERNS

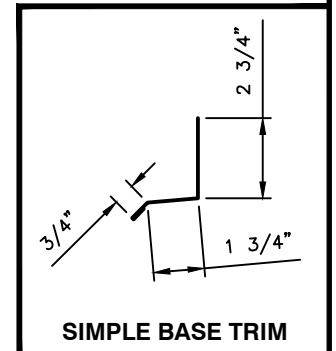
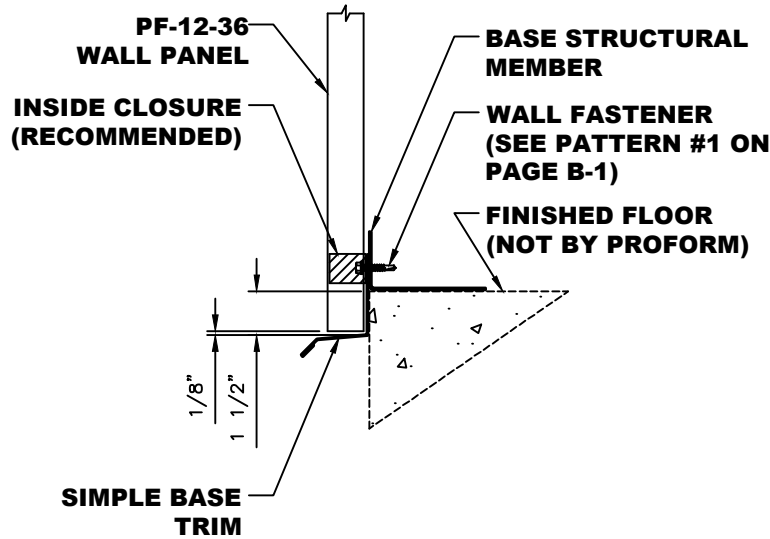


TRIM FASTENER PATTERN

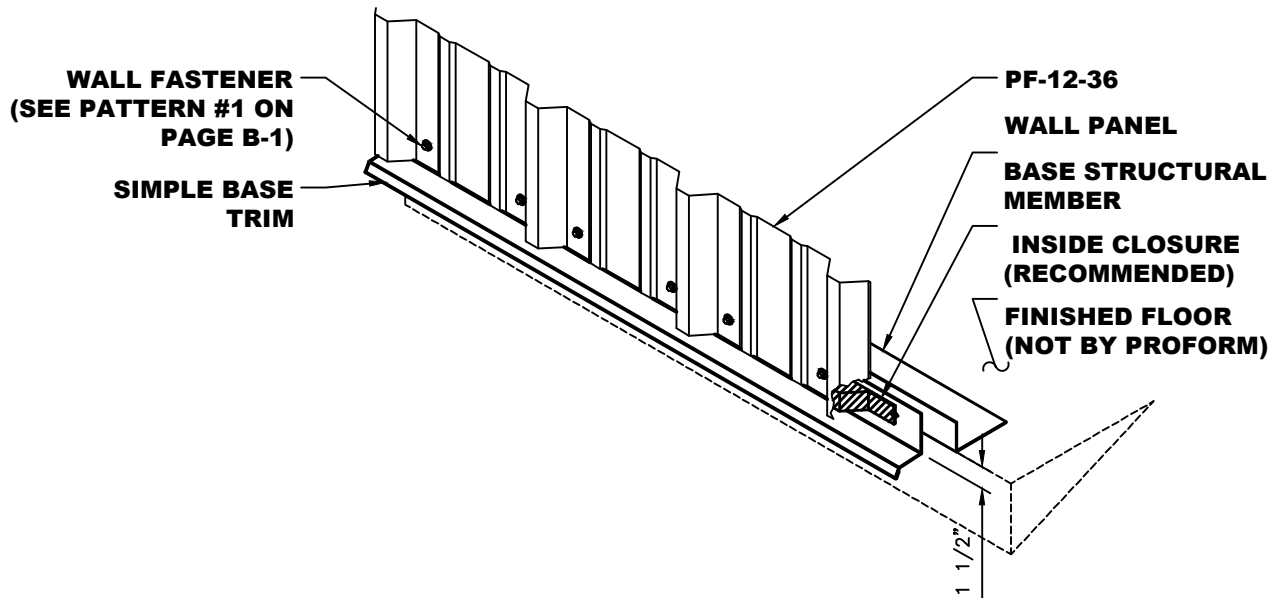


PANEL FRAMING AND STITCH FASTENER PATTFRNS

# SIMPLE BASE DETAIL

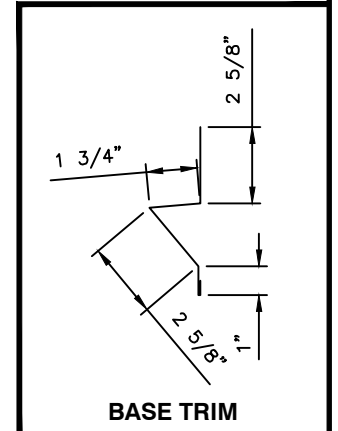
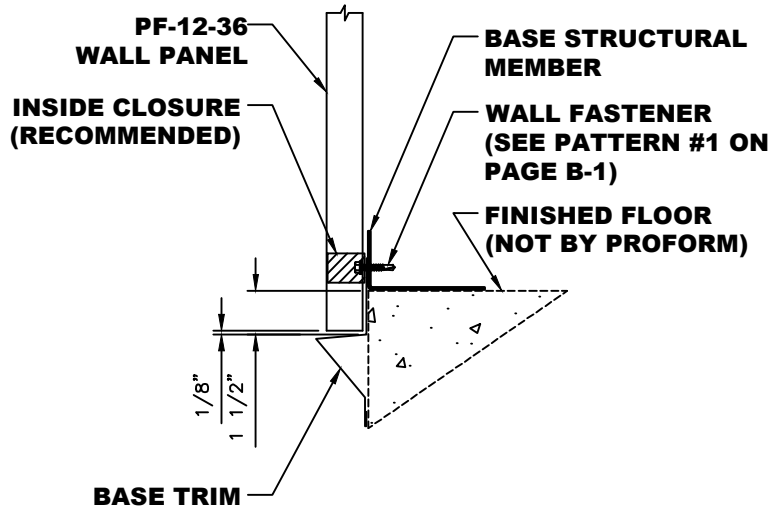


- NOTES:**
1. Base Structural Member set flush with edge of Finished Floor.
  2. Set Simple Base Trim 1 1/2" down face of finished floor.
  3. Set Closure in position on Simple Base Trim.
  4. Set Multi-Rib / R-Panel Wall Panel into place. Make sure to leave a 1/8" gap between trim and panel.
  5. Attach panel with Framing Fasteners per Fastening Pattern #1 shown on page B-1.

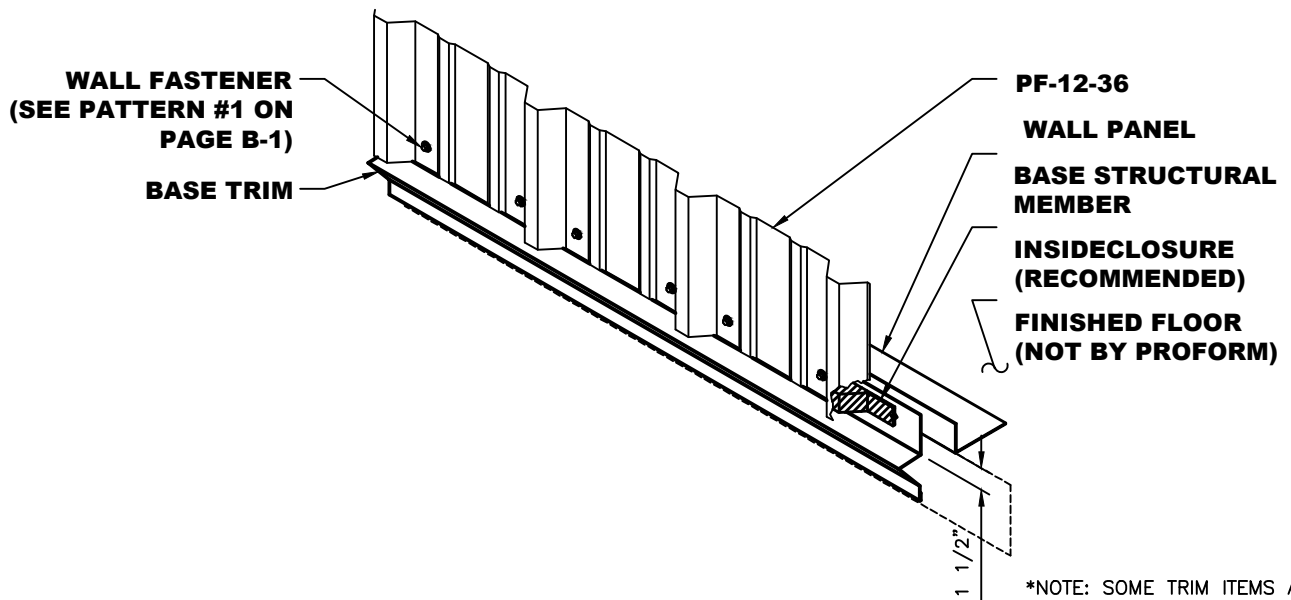


\*NOTE: SOME TRIM ITEMS AND FASTENERS HAVE BEEN REMOVED FOR CLARITY OF ISOMETRIC DETAIL.

# BASE DETAIL

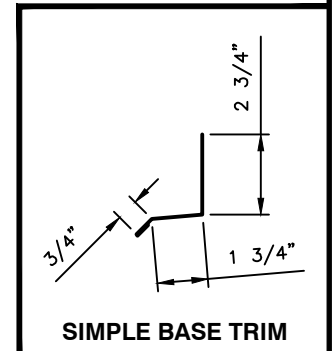
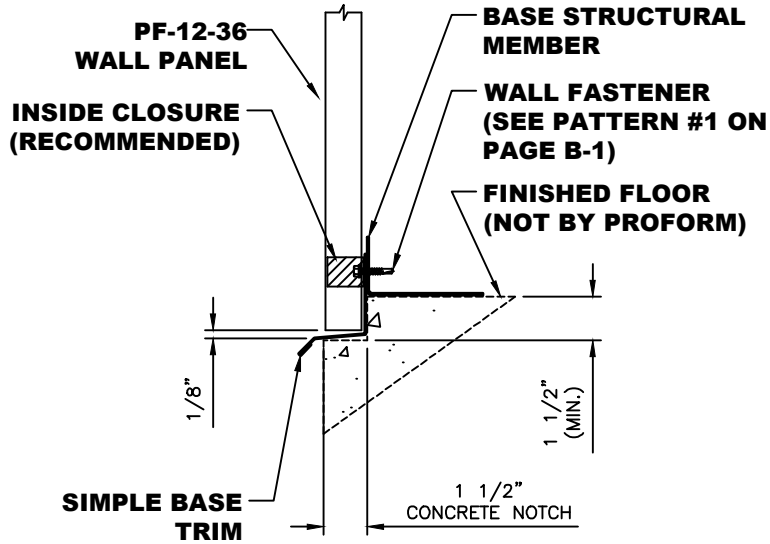


- NOTES:**
1. Base Structural Member set flush with edge of Finished Floor.
  2. Set Base Trim 1 1/2" down face of finished floor.
  3. Set Closure in position on Base Trim.
  4. Set Multi-Rib / R-Panel Wall Panel into place. Make sure to leave a 1/8" gap between trim and panel.
  5. Attach panel with Framing Fasteners per Fastening Pattern #1 shown on page B-1.

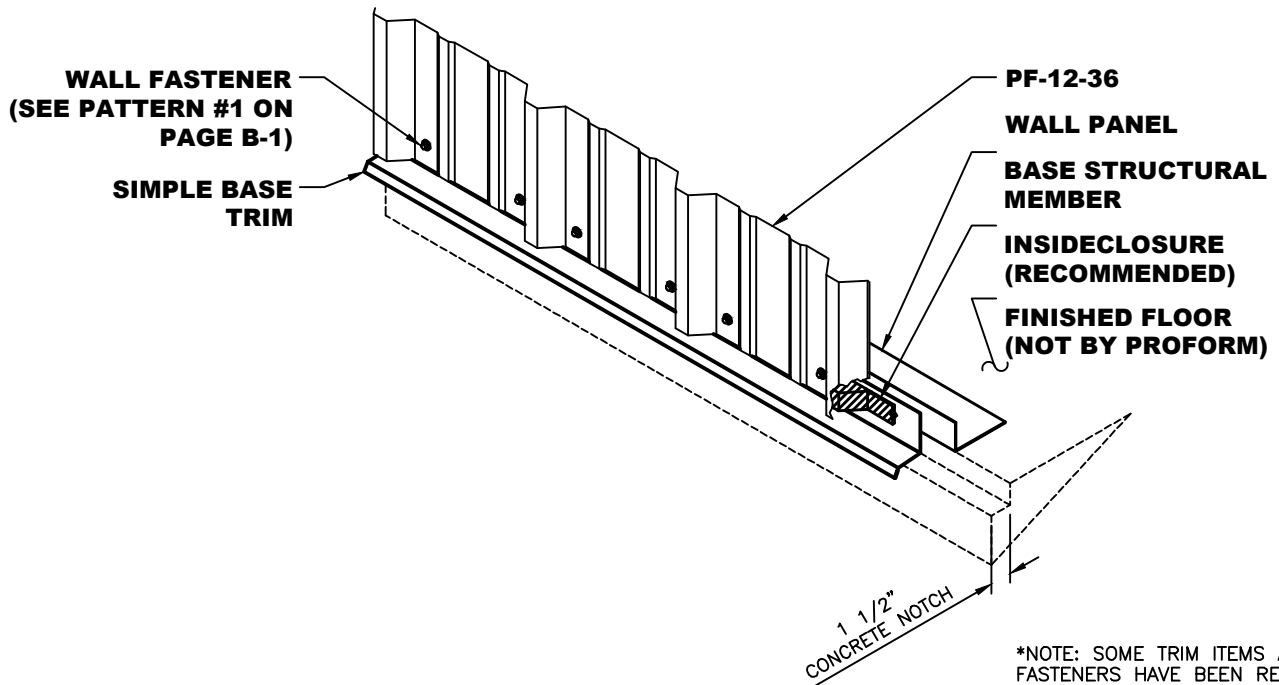


\*NOTE: SOME TRIM ITEMS AND FASTENERS HAVE BEEN REMOVED FOR CLARITY OF ISOMETRIC DETAIL.

# SIMPLE BASE DETAIL

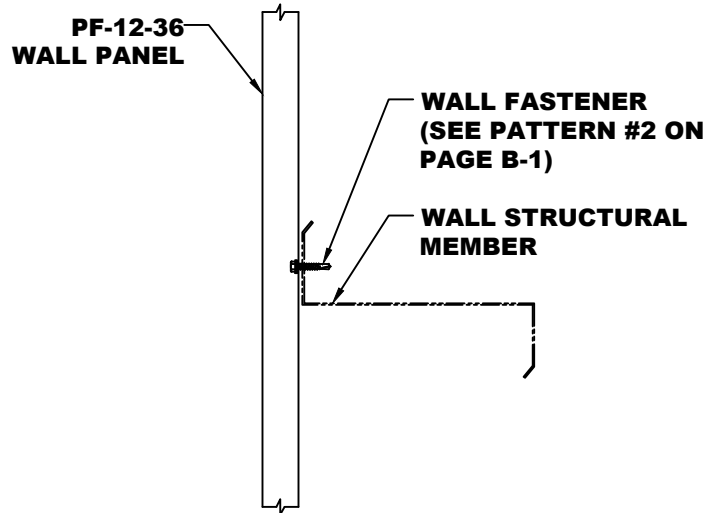


- NOTES:**
1. Base Structural Member set flush with edge of concrete notch.
  2. Set Simple Base Trim in concrete notch.
  3. Set Closure in position on Simple Base Trim.
  4. Set Multi-Rib / R-Panel Wall Panel into place. Make sure to leave a 1/8" gap between trim and panel.
  5. Attach panel with Framing Fasteners per Fastening Pattern #1 shown on page B-1.

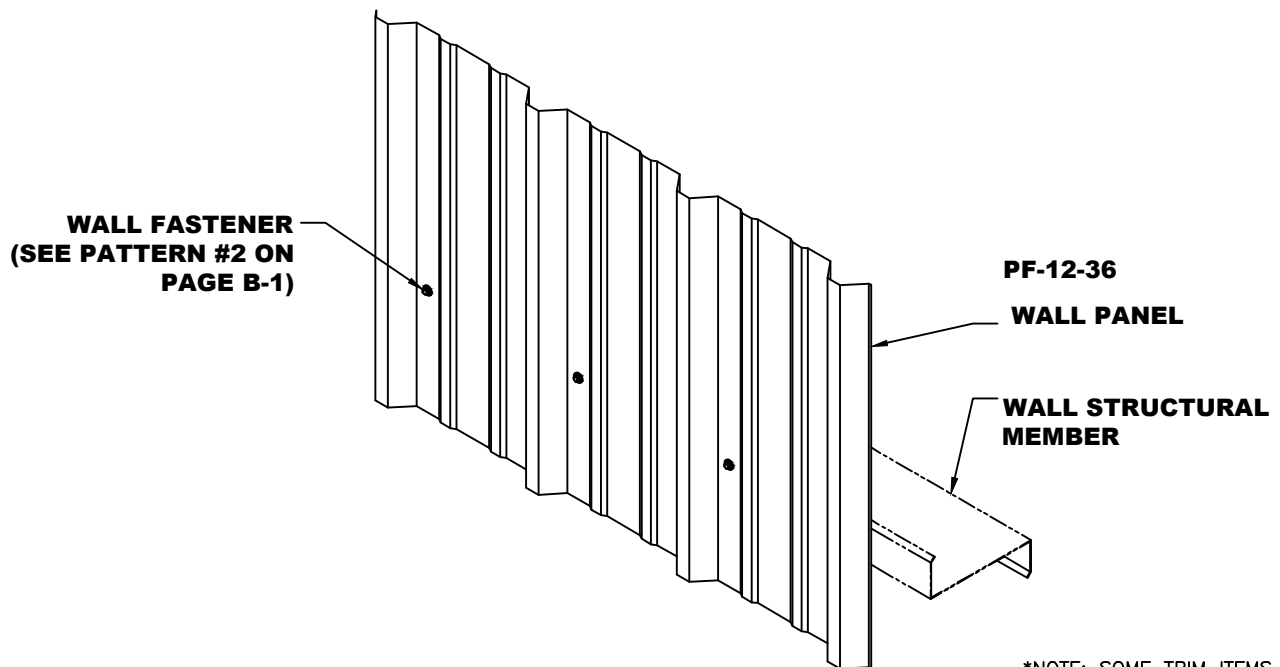


\*NOTE: SOME TRIM ITEMS AND FASTENERS HAVE BEEN REMOVED FOR CLARITY OF ISOMETRIC DETAIL.

# WALL PANEL TO GIRT DETAIL

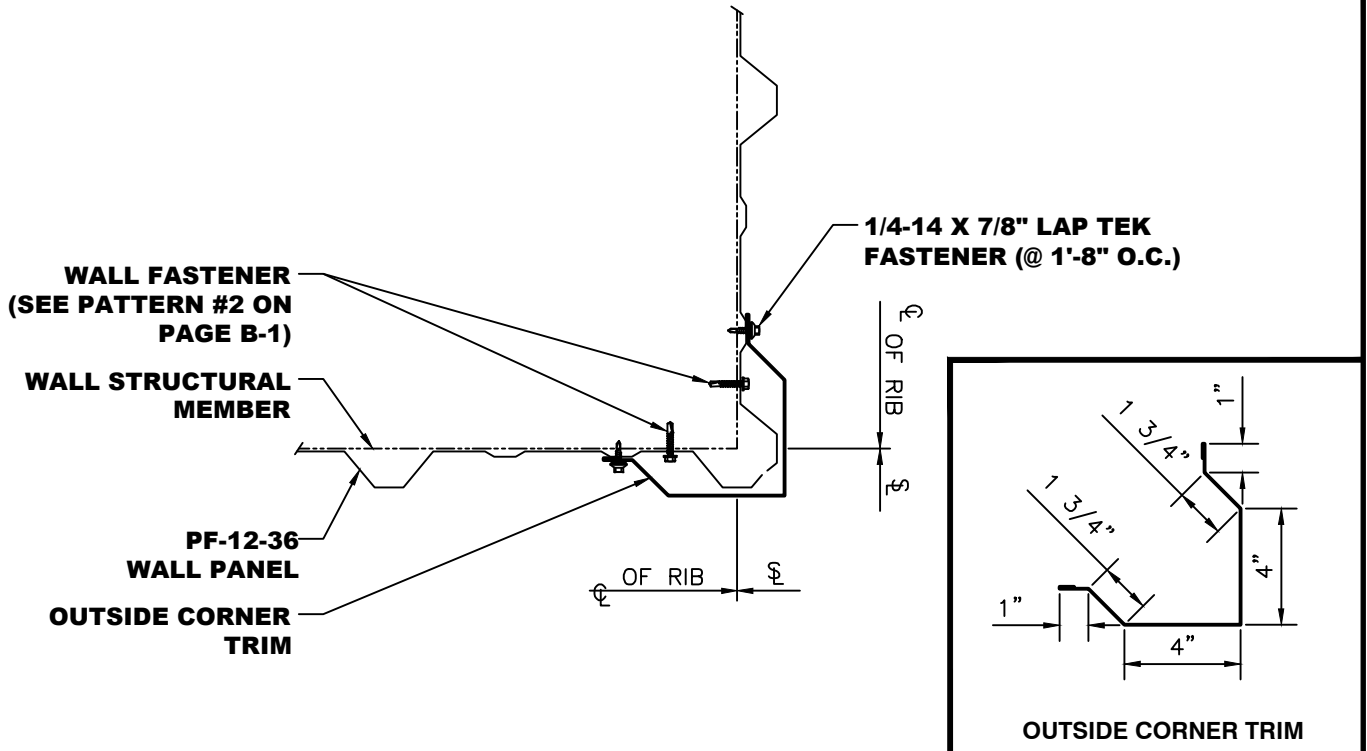


**NOTES: 1. Attach PF-12-36 Wall panel to Wall Structural Member with Framing Fasteners using Fastener Pattern #2 as shown on page B-1.**

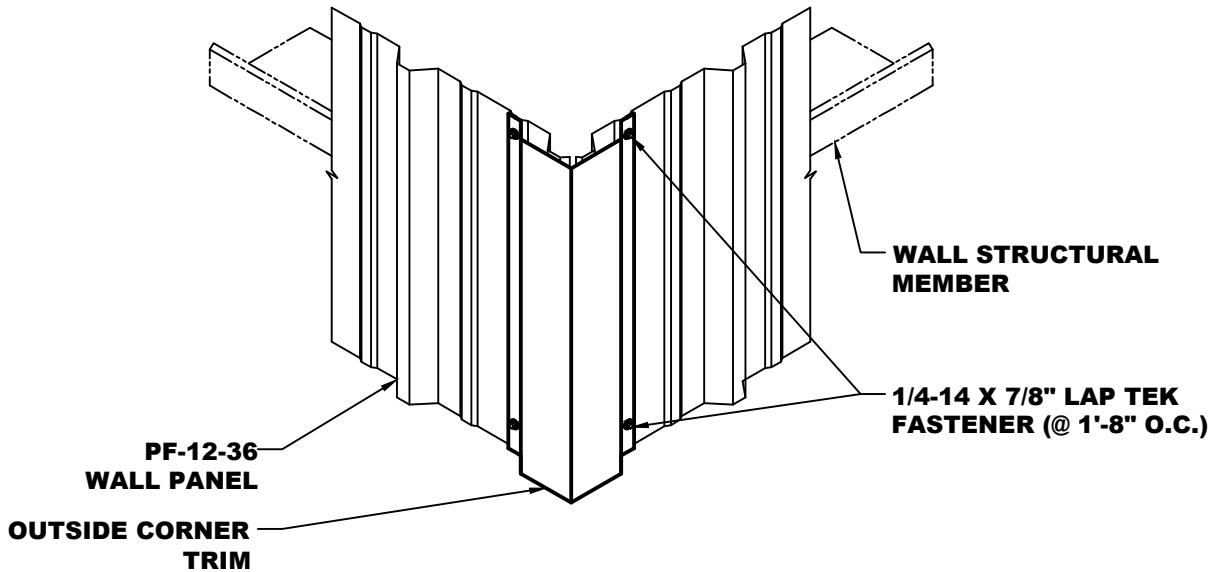


\*NOTE: SOME TRIM ITEMS AND FASTENERS HAVE BEEN REMOVED FOR CLARITY OF ISOMETRIC DETAIL.

# OUTSIDE CORNER DETAIL

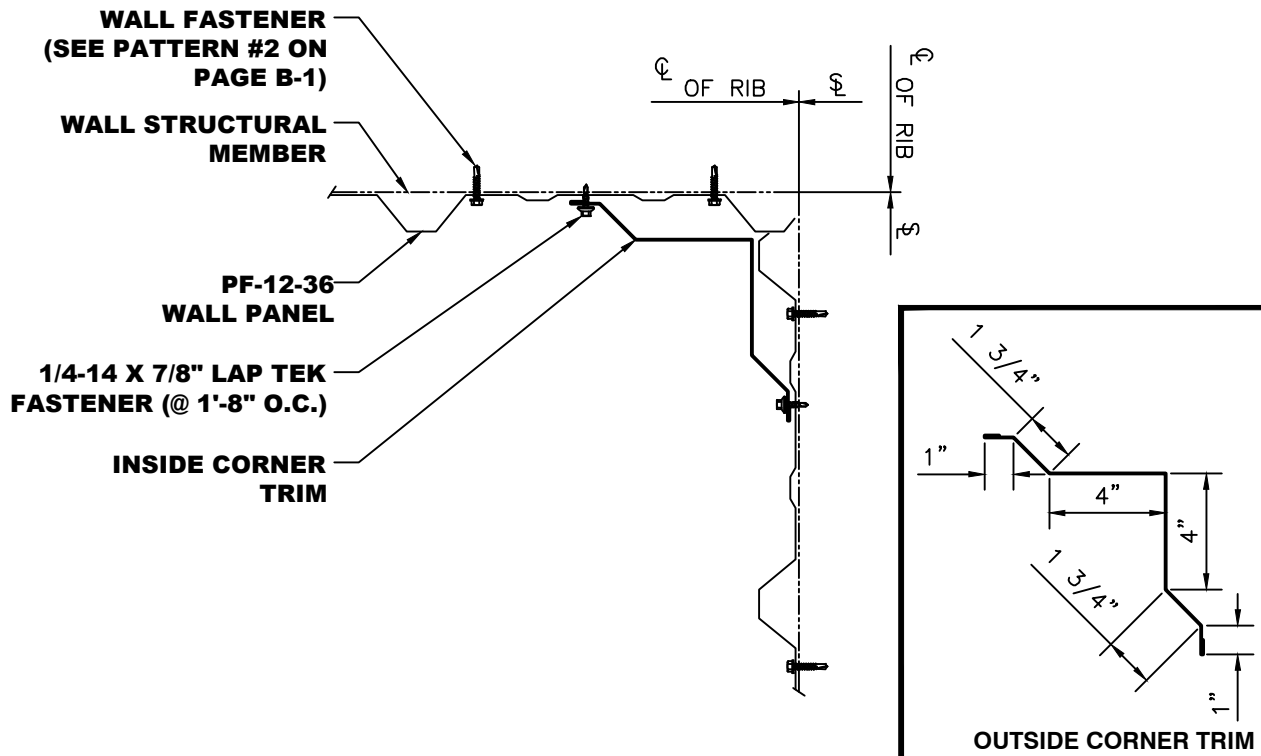


**NOTES: 1. Attach PF-12-36 Wall panel to Wall Structural Member with Framing Fasteners using Fastener Pattern #2 as shown on page B-1.**

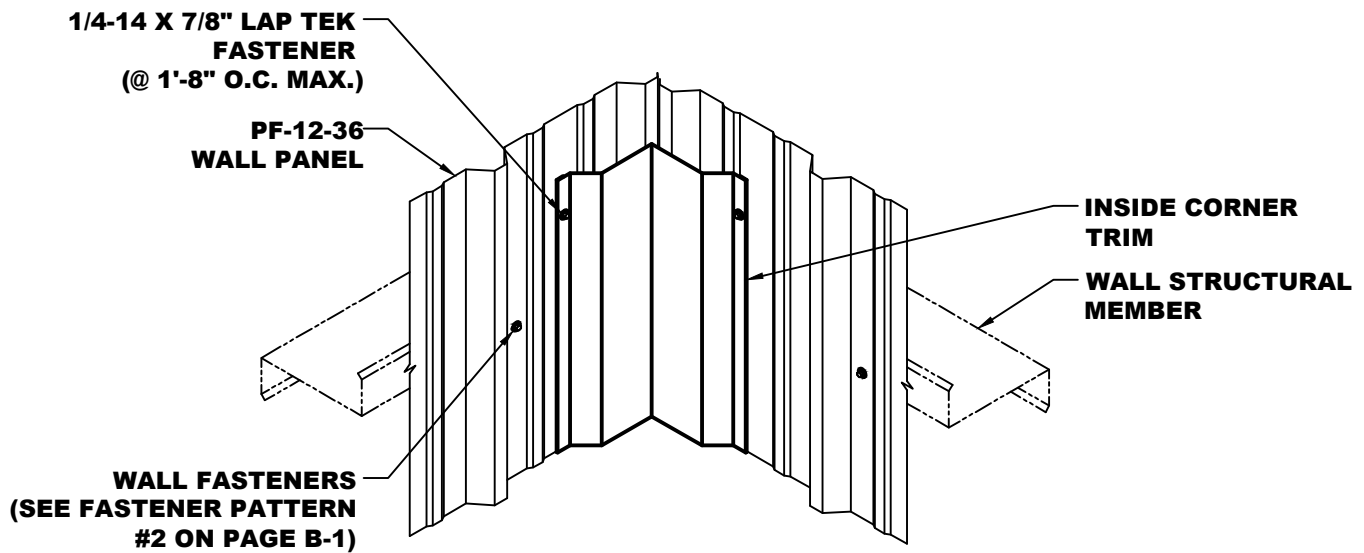


\*NOTE: SOME TRIM ITEMS AND FASTENERS HAVE BEEN REMOVED FOR CLARITY OF ISOMETRIC DETAIL.

# OUTSIDE CORNER DETAIL

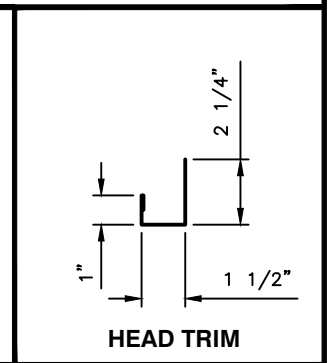
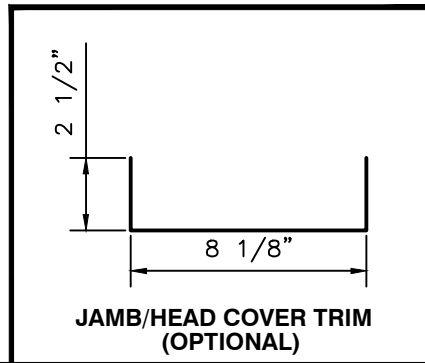
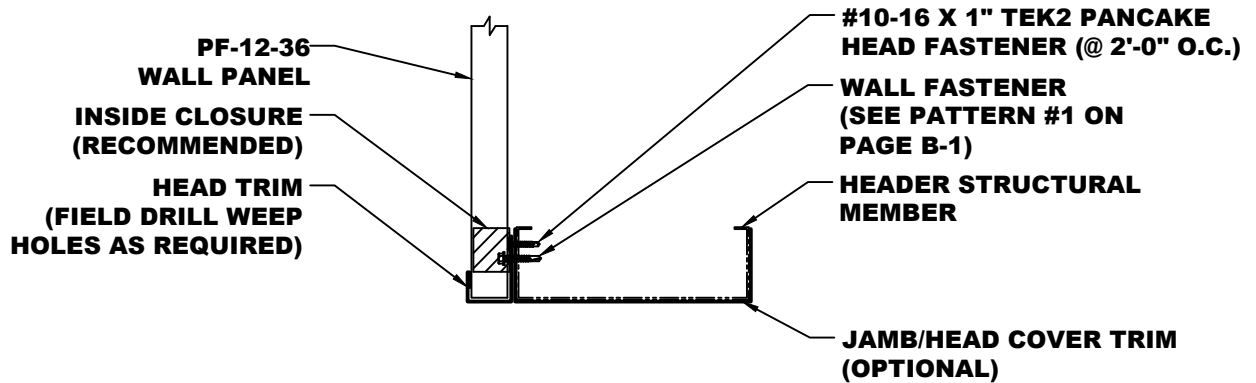


- NOTES:**
1. Attach PF-12-36 Wall panel to Wall Structural Member with Wall Fasteners using Fastener Pattern #2 as shown on page B-1.
  2. Inside Corner Trim to run from Base Trim to top of wall.
  3. Attach Inside Corner Trim to wall panel with 1/4-14 x 7/8" LapTek Faseners at 1'-8" O.C. (Max.).

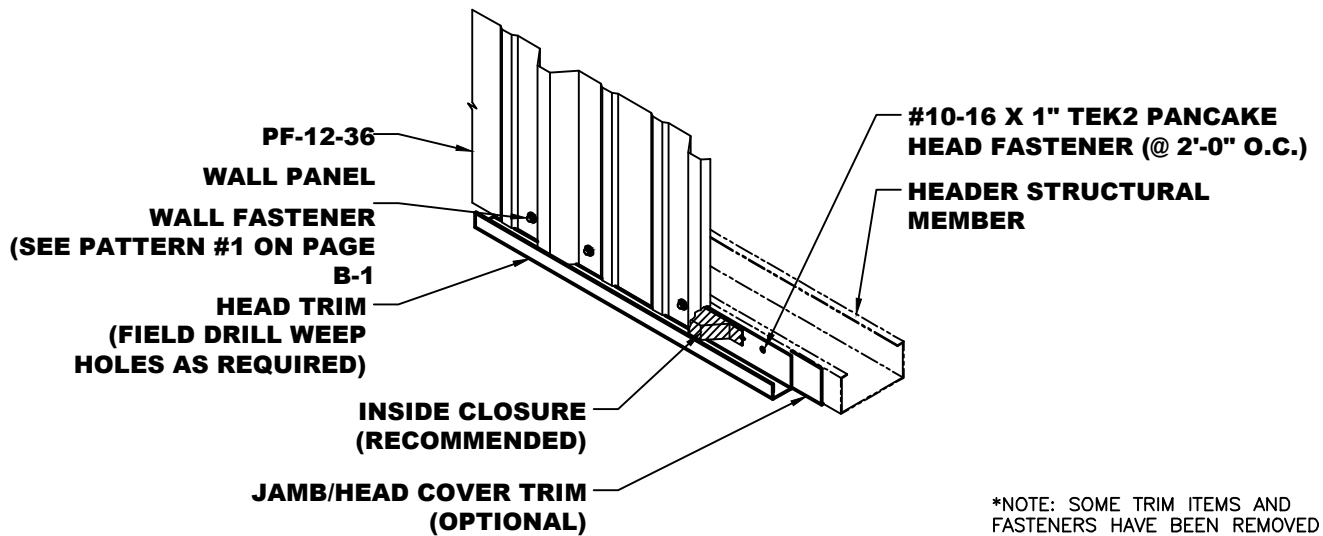


\*NOTE: SOME TRIM ITEMS AND FASTENERS HAVE BEEN REMOVED FOR CLARITY OF ISOMETRIC DETAIL.

# HEAD TRIM DETAIL

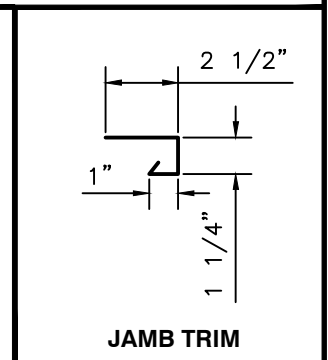
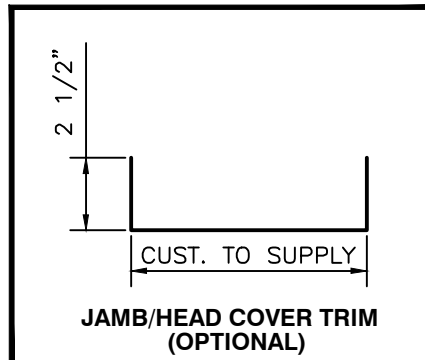
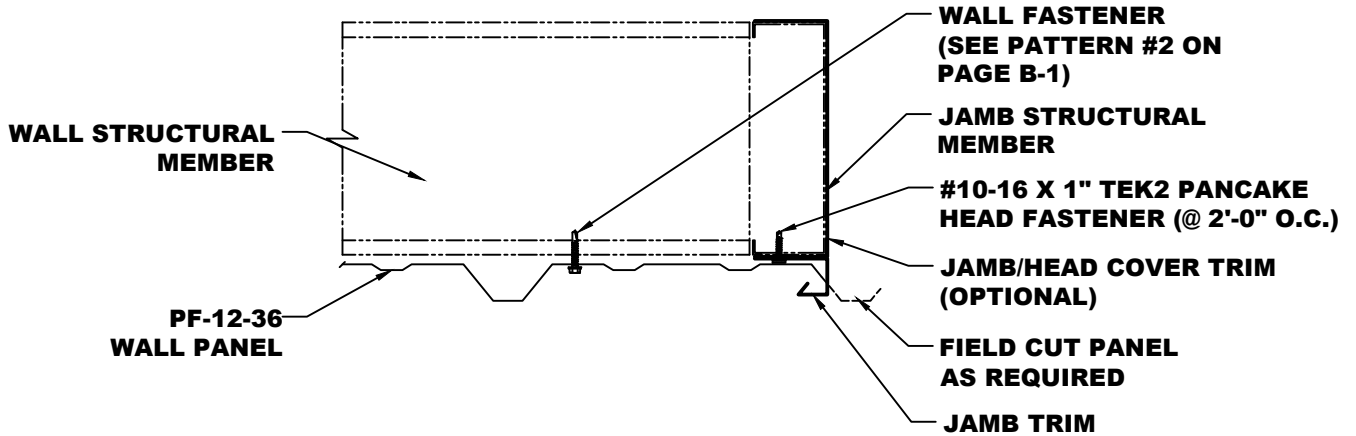


- NOTES:**
1. Attach Head Trim to Header using #10-16 x 1" TEK2 Pancake Head Fasteners every 2'-0" O.C.
  2. Set Inside Closure in position on Head Trim.
  3. Install PF-12-36 Panel to Header Structural Member with Wall Fasteners using Fastener Pattern #1 on page B-1.

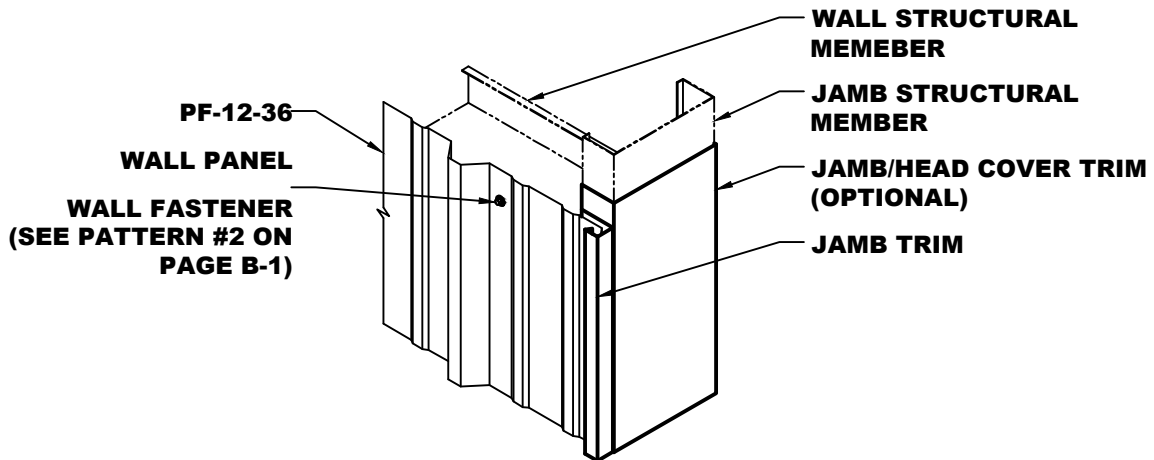


\*NOTE: SOME TRIM ITEMS AND FASTENERS HAVE BEEN REMOVED FOR CLARITY OF ISOMETRIC DETAIL.

# JAMB TRIM DETAIL

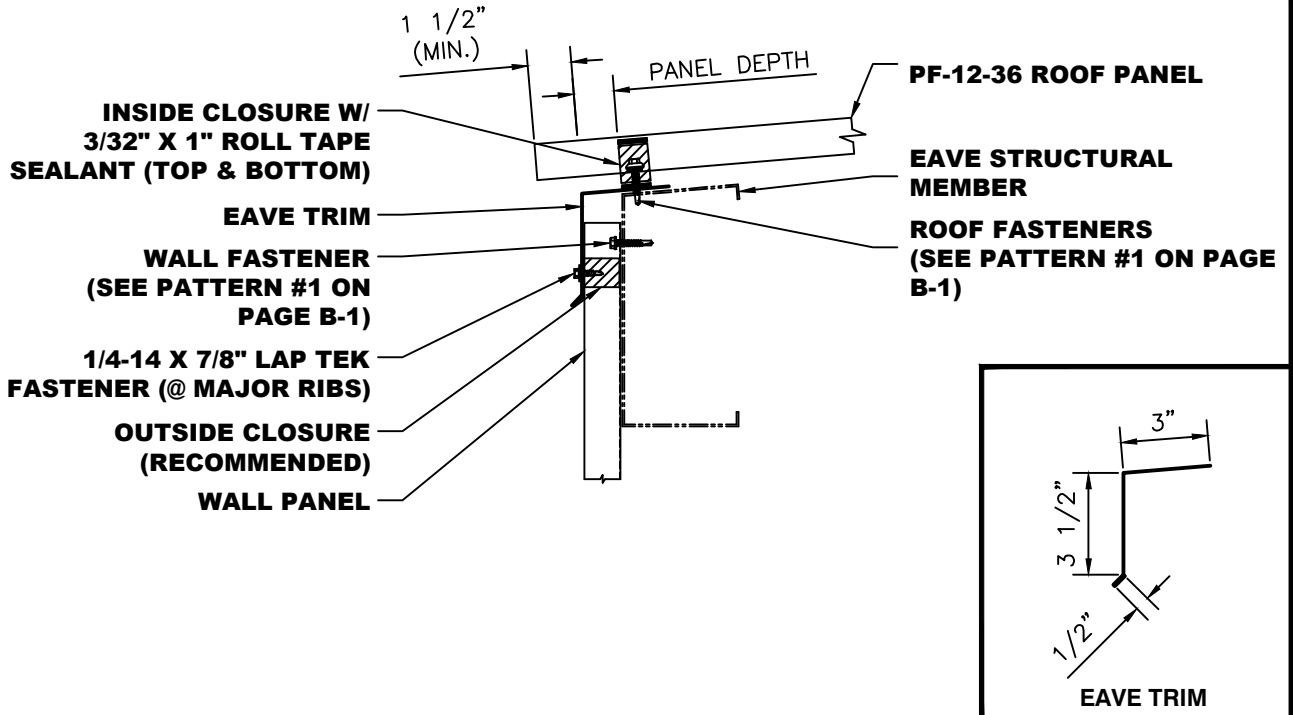


- NOTES:**
1. Attach Jamb Trim to Jamb Structural Member using #10-16 x 1" TEK2 Pancake Head Fasteners every 2'-0" O.C.
  2. Install PF-12-36 Panel to Wall Structural Member with Wall Fasteners using Fastener Pattern #2 on page B-1.

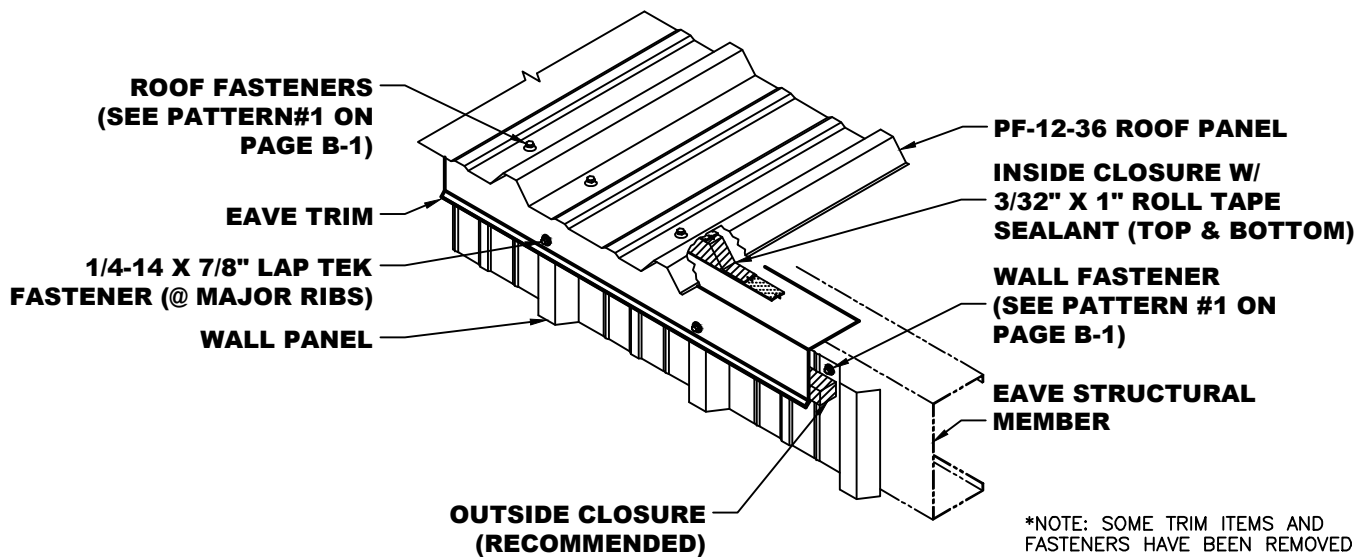


\*NOTE: SOME TRIM ITEMS AND FASTENERS HAVE BEEN REMOVED FOR CLARITY OF ISOMETRIC DETAIL.

# EAVE DETAIL

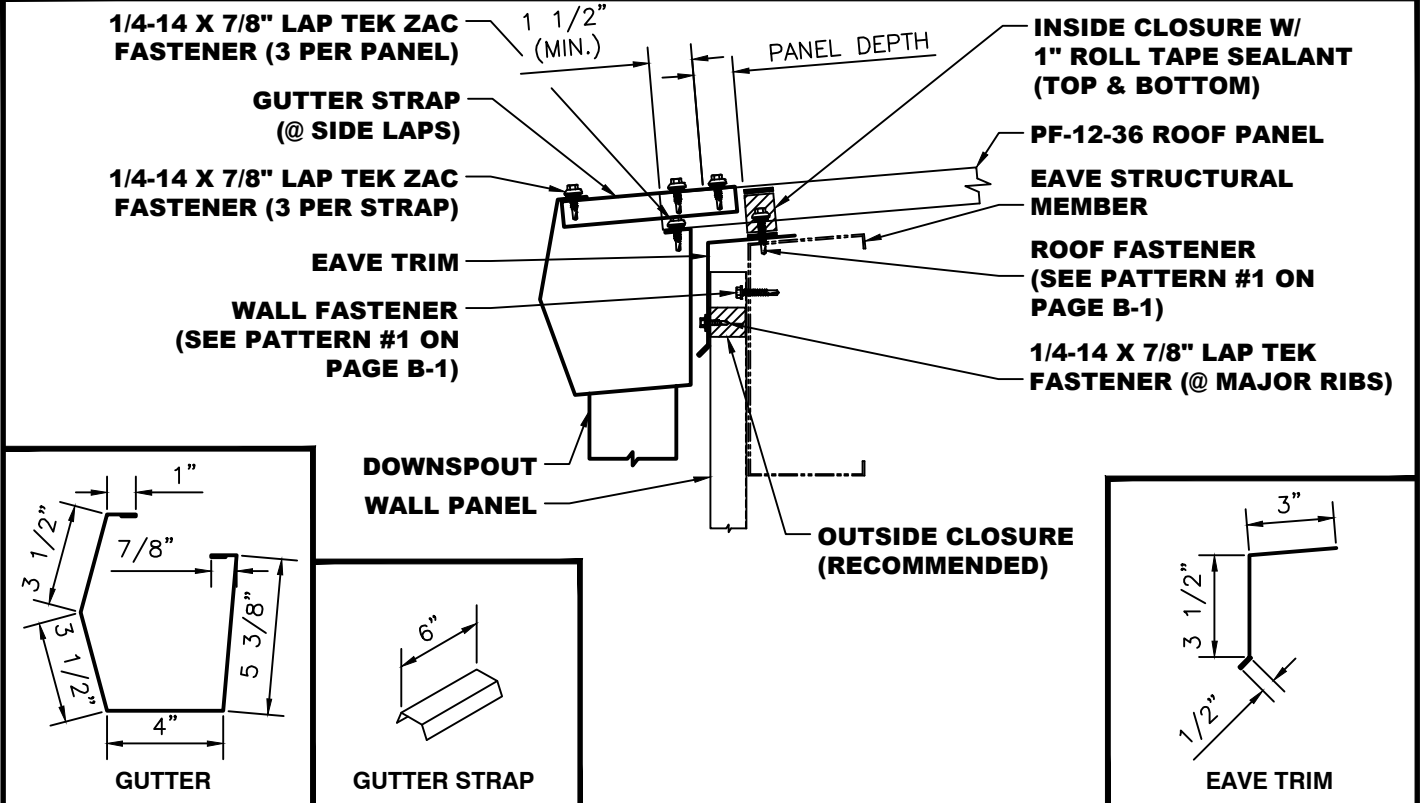


- NOTES:**
1. Attach Wall Panel to Eave Structural Member with Wall Fasteners using Fastener Pattern #1 on page B-1.
  2. Eave Trim to run from out of wall to out of wall.
  3. Trim pieces lap 2". Apply 3/32" x 3/8" Butyl Tape Sealant in trim laps and Pop Rivet trims as shown on page C-18.
  4. Attach Eave Trim to Wall Panel at major ribs with 1/4-14 x 7/8" Lap Tek Fasteners.
  5. Apply continuous run of 1" Butyl Tape Sealant on top of Eave Trim.
  6. Set Closures in tape and apply another continuous run of 1" Butyl Tape Sealant on top of closures.
  7. Attach PF-12-36 Panels in place with Roof Fasteners. See Fastener Pattern #1 on page B-1.

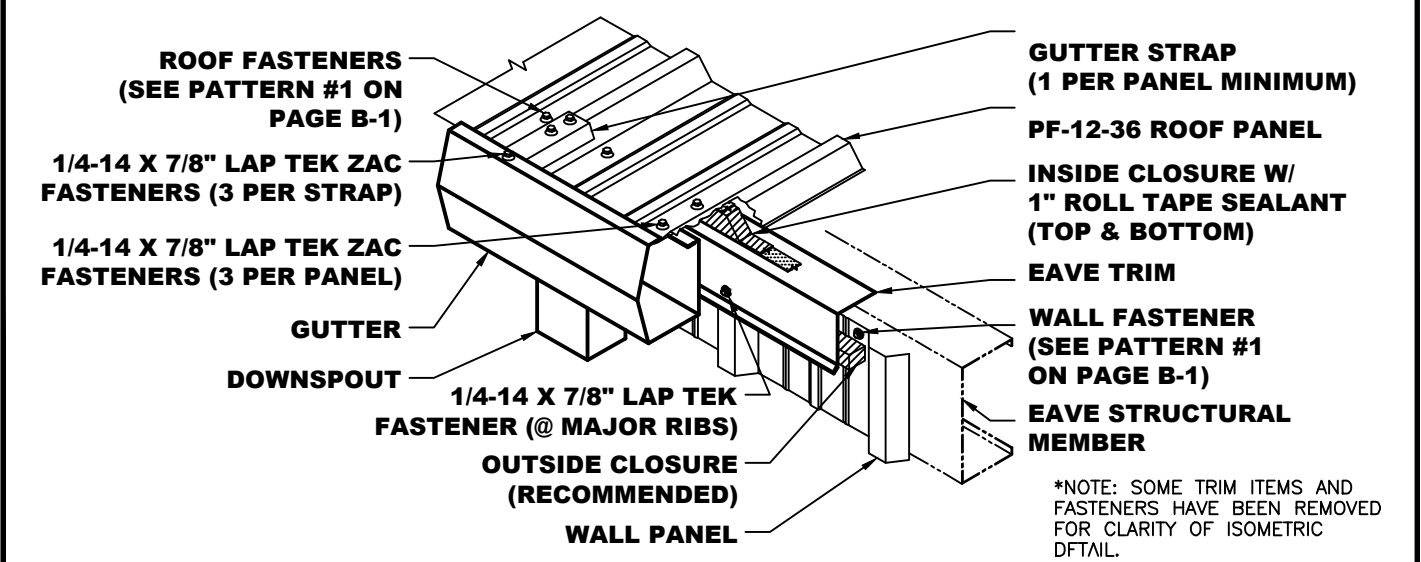


\*NOTE: SOME TRIM ITEMS AND FASTENERS HAVE BEEN REMOVED FOR CLARITY OF ISOMETRIC DETAIL.

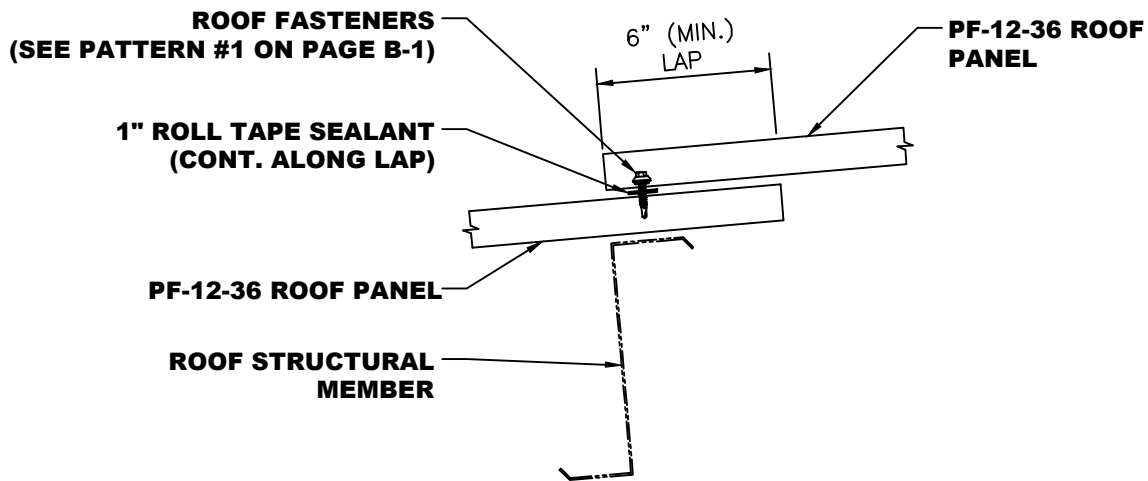
# EAVE w/ GUTTER DETAIL



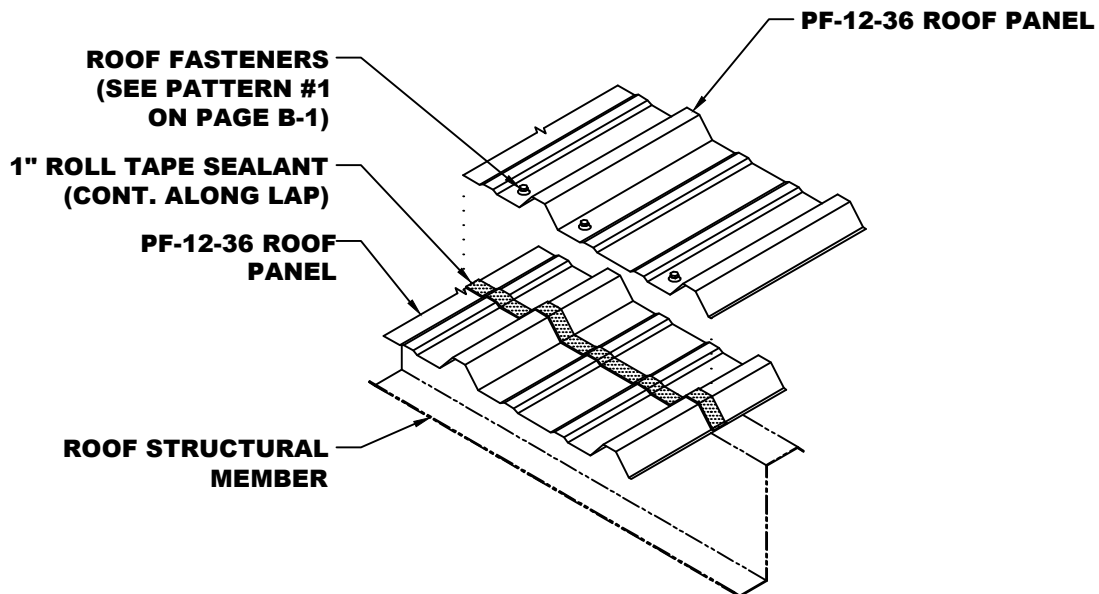
- NOTES:**
1. Attach Wall Panel to Eave Structural Member with Wall Fasteners using Fastener Pattern #1 on page B-1.
  2. Eave Trim and Gutter to run from out of wall to out of wall.
  3. Trim pieces lap 2". Apply 3/32" x 3/8" Butyl Tape or Butyl Tube Sealant at trim laps and Pop Rivet trims as shown on page C-18.
  4. Attach Eave Trim to wall panels at major ribs with 1/4-14 x 7/8" Lap Tek fasteners.
  5. Apply continuous run of 1" Roll Tape Sealant on top of Eave Trim.
  6. Set Inside Closures in tape and apply another continuous run of 1" Roll Tape Sealant on top of closures.
  7. Attach PF-12-36 Panels with Roof Fasteners. See Fastener Pattern #1 on page B-1.
  8. Attach Gutter to roof panel with (1) 1/4-14 x 7/8" Lap Tek ZAC Fasteners. (3 per panel) Attach Gutter Straps to panel ribs with (2) 1/4-14 x 7/8" Lap Tek ZAC Fastener. Then attach Gutter to Gutter Strap with (1) 1/4-14 x 7/8" Lap Tek ZAC Fasteners.



# ROOF PANEL LAP DETAIL

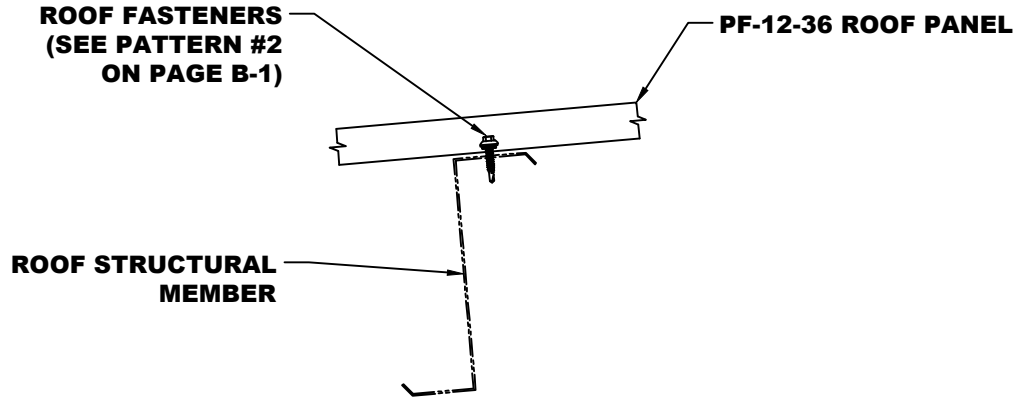


- NOTES:**
1. Extend lower PF-12-36 Panel 6" past web of Roof Structural Member.
  2. Apply continuous run of 1" Roll Tape Sealant on top of lower PF-12-36 panel 5 3/4" down from end of panel.
  3. Install upper PF-12-36 panel and fasten with Roof Fasteners. See Fastener Pattern #1 on page B-1.

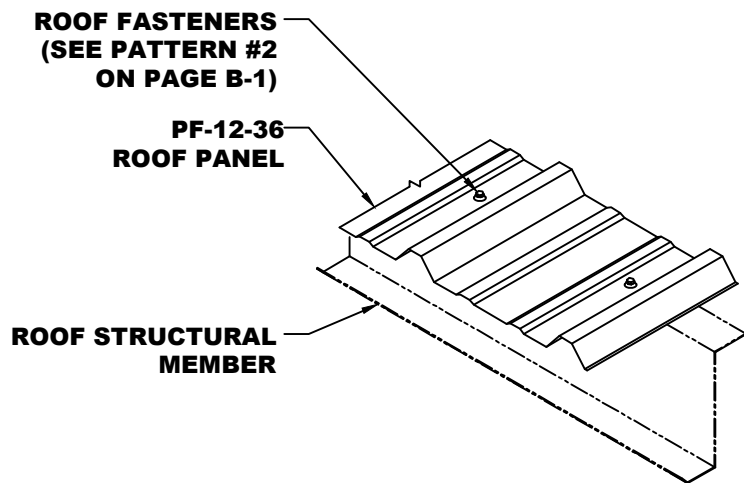


\*NOTE: SOME TRIM ITEMS AND FASTENERS HAVE BEEN REMOVED FOR CLARITY OF ISOMETRIC DETAIL.

# INTERMEDIATE PURLIN DETAIL

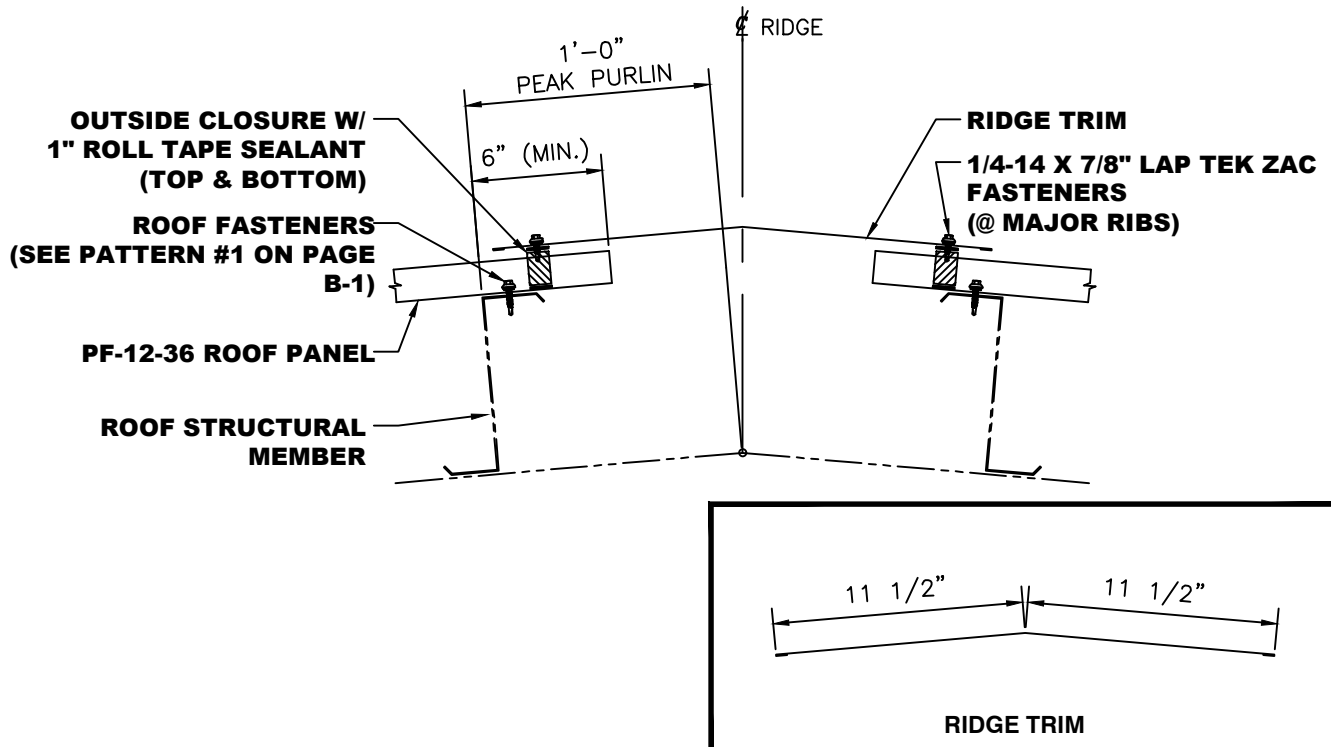


**NOTES: 1. Attach Multi-Rib / R-Panel Roof Panels with Roof Fasteners. See Fastener Pattern #2 on page B-1.**

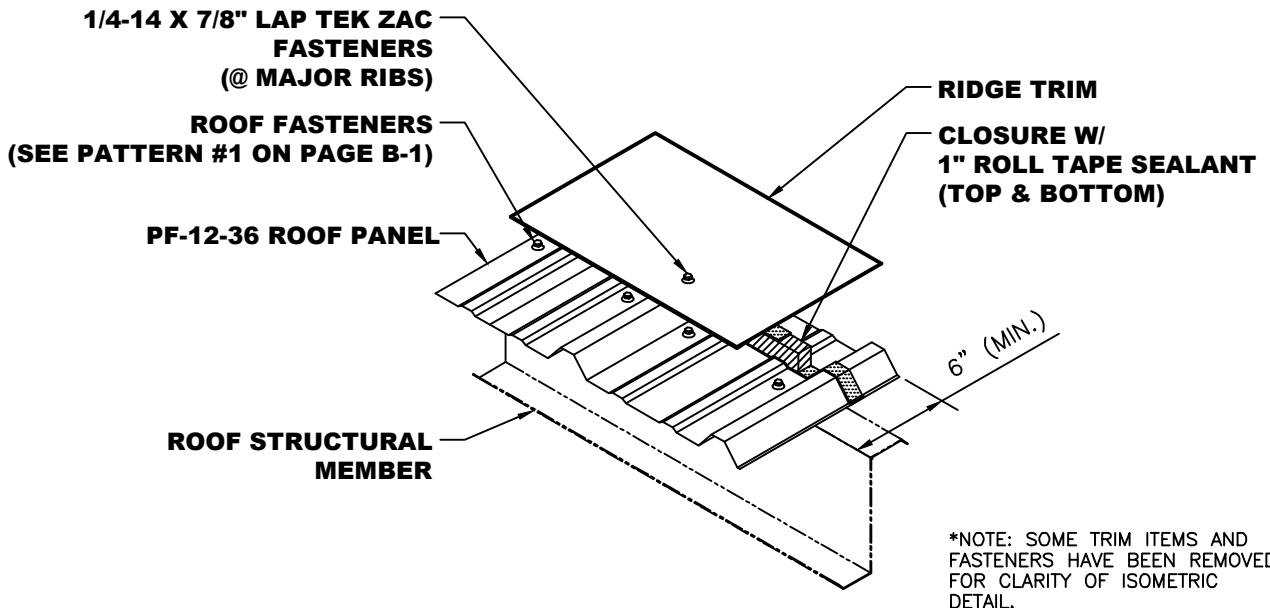


\*NOTE: SOME TRIM ITEMS AND FASTENERS HAVE BEEN REMOVED FOR CLARITY OF ISOMETRIC DETAIL.

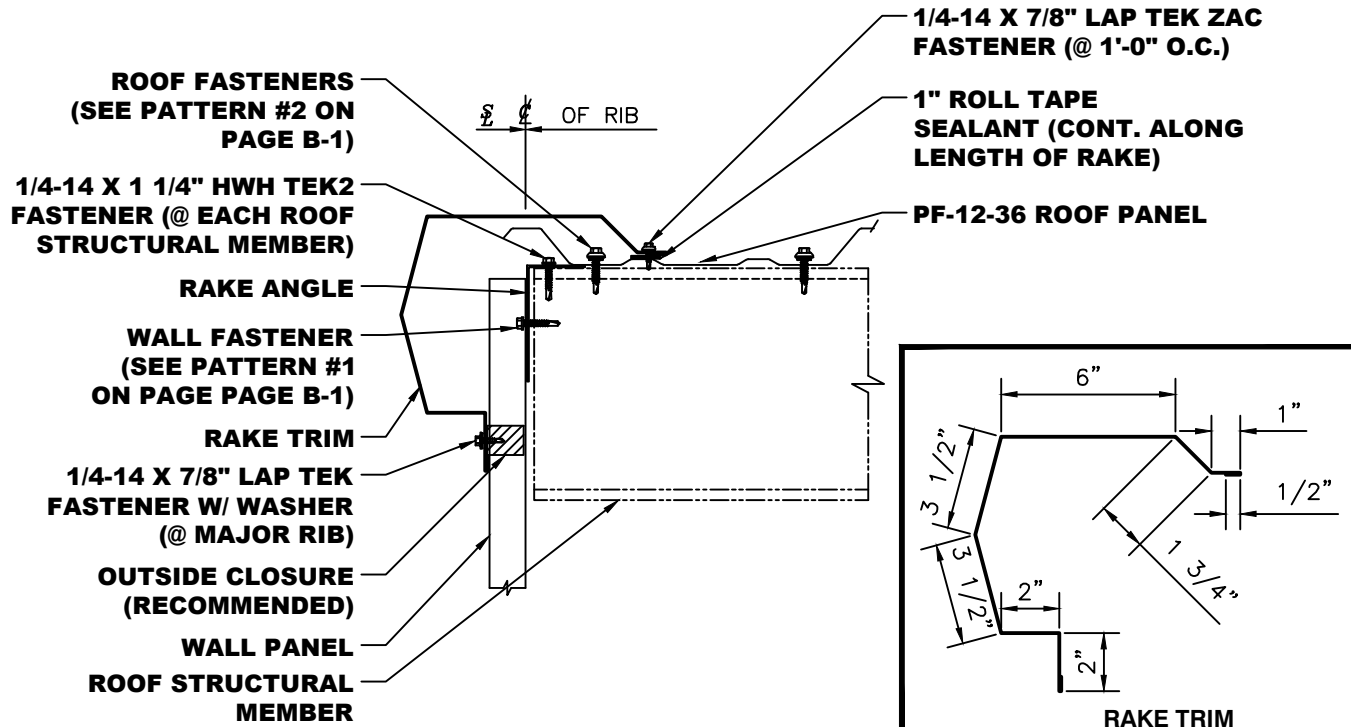
# RIDGE DETAIL



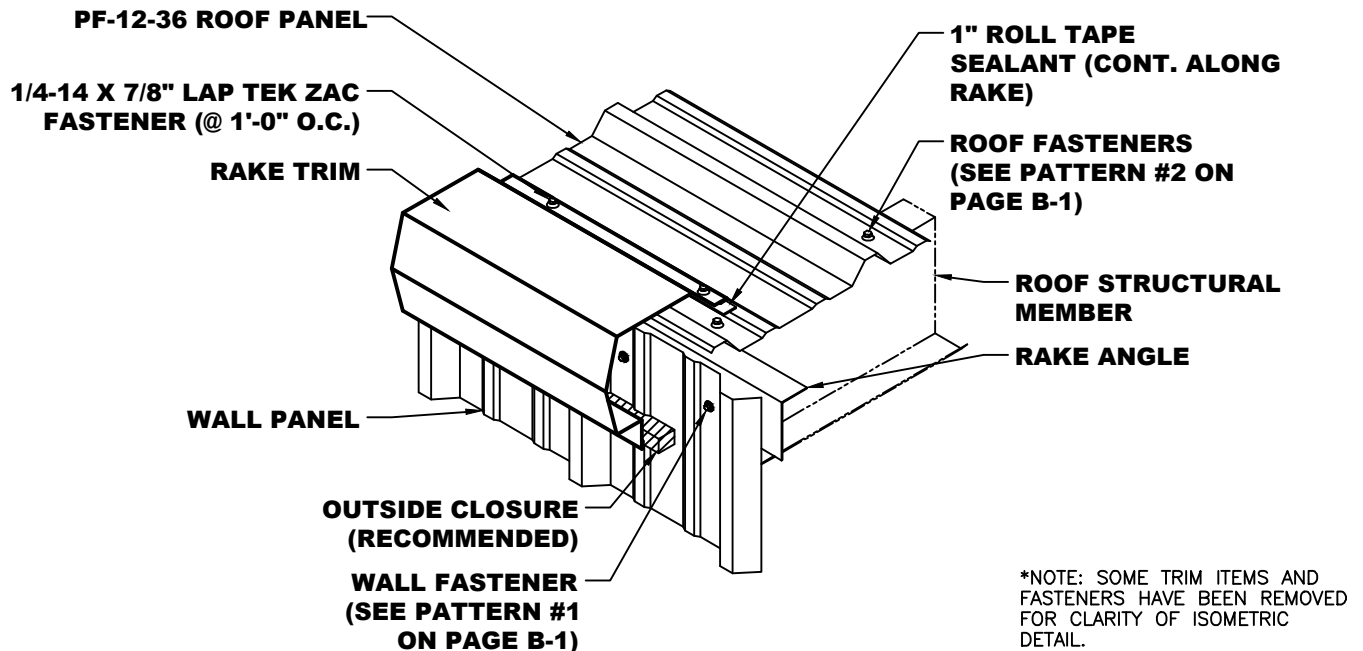
- NOTES:**
1. Attach PF-12-36 Panels with Roof Fasteners. See Fastener Pattern #1 on page B-1.
  2. Install a continuous line of 1" Butyl Tape Sealant above fasteners. Seat Outside Closures in tape sealant. Install another continuous line of 1" Tape Sealant on top of closures.
  3. Attach Ridge Trim to roof panels with 1/4-14 x 7/8" Lap Tek ZAC Fasteners at major ribs. Make sure fastener penetrates sealant.
  4. Trim pieces lap 2". Apply 3/32" x 3/8" Butyl Tape or Butyl Tube Sealant at trim laps and secure trim joint with 1/4-14 x 7/8" Lap Tek ZAC Fasteners at 4" O.C.



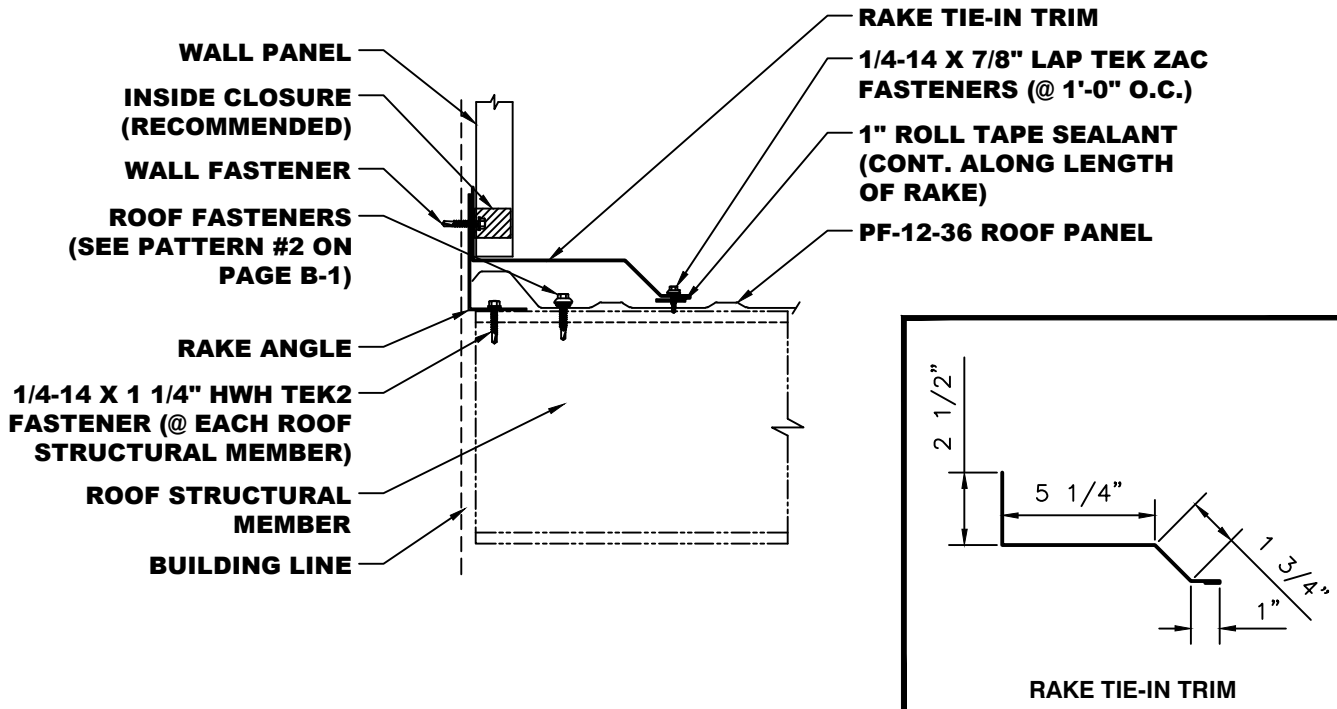
# RAKE DETAIL



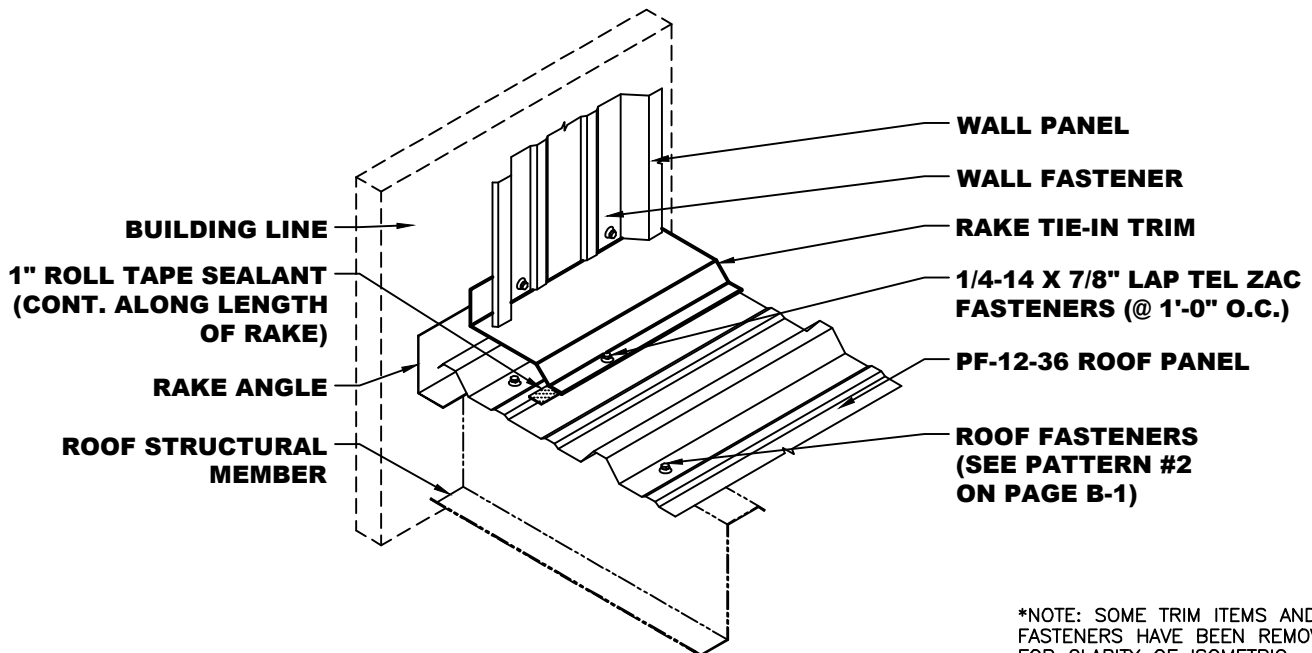
- NOTES:**
1. Attach Wall Panel to Rake Angle with Wall Fasteners using Fastener Pattern #1 on page B-1.
  2. Attach PF-12-36 Panels in place with Roof Fasteners. See Fastener Pattern #2 on page B-1.
  3. Install a continuous line of 1" Butyl Tape Sealant were Rake Trim rest on roof panel.
  4. Attach Rake Trim to roof panels with 1/4-14 x 7/8" Lap Tek ZAC Fasteners at 1'-0" O.C. Make sure fastener penetrates sealant.
  5. Attach Rake Trim to Wall Panels with 1/4-14 x 7/8" Lap Tek Fasteners with Washer at major ribs.
  6. Trim pieces lap 2". Apply 3/32" x 3/8" Butyl Tape or Butyl Tube Sealant at trim laps and secure trim joint with 1/4-14 x 7/8" Lap Tek ZAC Fasteners at 4" O.C.



# RAKE TIE-IN DETAIL

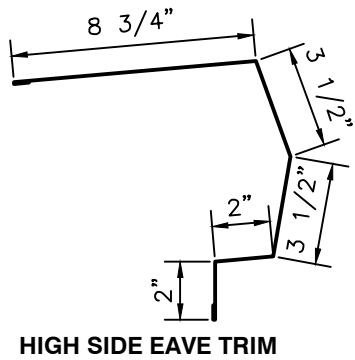
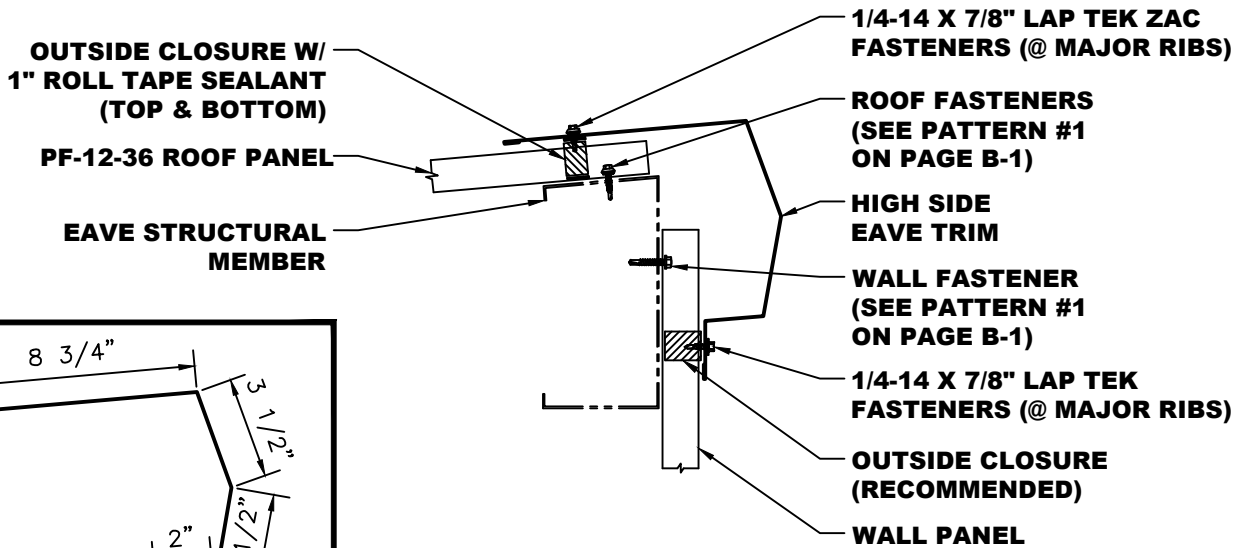


- NOTES:**
1. Attach PF-12-36 Roof Panels with Roof Fasteners. See Fastener Pattern #2 on page B-1.
  2. Install a continuous line of 1" Butyl Tape Sealant where Rake Tie-In Trim rest on roof panel.
  3. Attach Rake Trim to roof panels with 1/4-14 x 7/8" Lap Tek ZAC Fasteners at 1'-0" O.C. Make sure fastener penetrates sealant.
  4. Trim pieces lap 2". Apply 3/32" x 3/8" Butyl Tape or Butyl Tube Sealant at trim laps and secure trim joint with 1/4-14 x 7/8" Lap Tek ZAC Fasteners at 4" O.C.

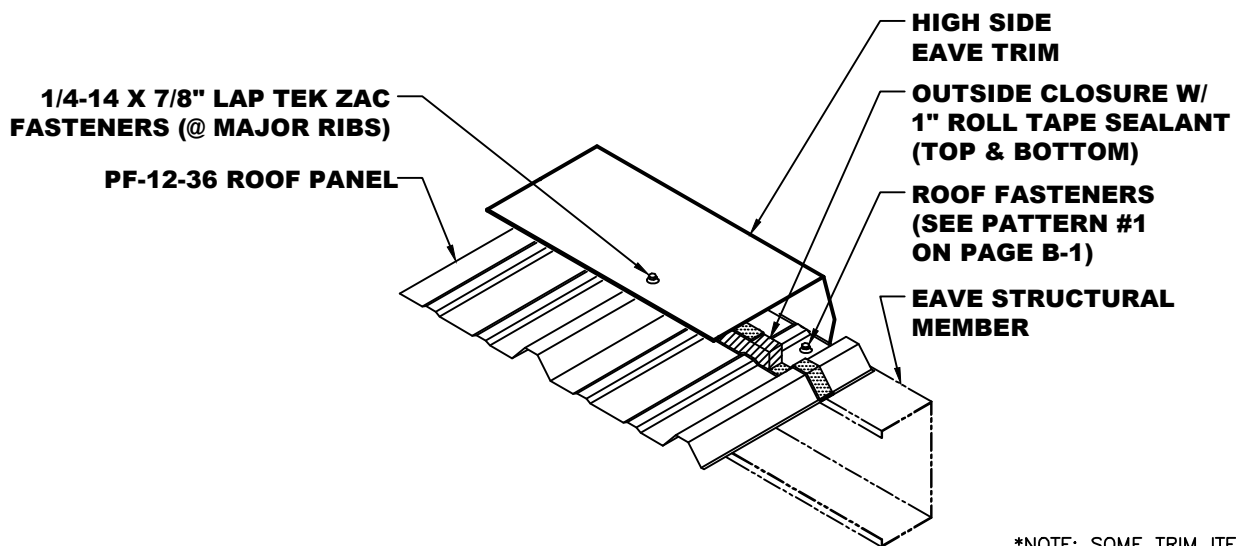


\*NOTE: SOME TRIM ITEMS AND FASTENERS HAVE BEEN REMOVED FOR CLARITY OF ISOMETRIC DETAIL.

# HIGH SIDE EAVE DETAIL



- NOTES:**
1. Attach PF-12-36 Roof Panels with Roof Fasteners. See Fastener Pattern #1 on page B-1.
  2. Install a continuous line of 1" Butyl Tape Sealant below fasteners. Seat Outside Closures in tape sealant. Install another continuous line of 1" Tape Sealant on top of closures.
  3. Attach High Side Eave Trim to roof panels with 1/4-14 x 7/8" Lap Tek ZAC Fasteners at major ribs. Make sure fastener penetrates sealant.
  4. Trim pieces lap 2". Apply 3/32" x 3/8" Butyl Tape or Butyl Tube Sealant at trim laps and secure trim joint with 1/4-14 x 7/8" Lap Tek ZAC Fasteners at 4" O.C.



\*NOTE: SOME TRIM ITEMS AND FASTENERS HAVE BEEN REMOVED FOR CLARITY OF ISOMETRIC DETAIL.

# HIGH SIDE TIE-IN DETAIL

**1/4-14 X 7/8" LAP TEK ZAC  
FASTENER (@ MAJOR RIBS)**

**HIGH SIDE TIE-IN TRIM**

**OUTSIDE CLOSURE W/  
1" ROLL TAPE SEALANT  
(TOP & BOTTOM)**

**PF-12-36 ROOF PANEL**

**ROOF STRUCTURAL  
MEMBER**

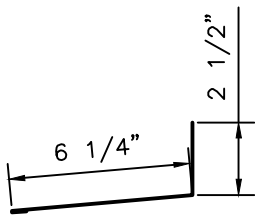
**WALL PANEL**

**WALL FASTENER**

**WALL STRUCTURAL  
MEMBER**

**INSIDE CLOSURE  
(RECOMMENDED)**

**ROOF FASTENER  
(SEE PATTERN #1 ON  
PAGE B-1)**



**HIGH SIDE TIE-IN TRIM**

- NOTES:**
- 1. Attach PF-12-36 Roof Panels with Roof Fasteners. See Fastener Pattern #1 on page B-1.**
  - 2. Install a continuous line of 1" Butyl Tape Sealant. Seat Outside Closures in tape sealant. Install another continuous line of 1" Tape Sealant on top of closures.**
  - 3. Attach High Side Tie-In Trim to roof panels with 1/4-14 x 7/8" Lap Tek Fasteners at major ribs. Make sure fastener penetrates sealant.**
  - 4. Trim pieces lap 2". Apply 3/32" x 3/8" Butyl Tape or Butyl Tube Sealant at trim laps and secure trim joint with 1/4-14 x 7/8" Lap Tek Fasteners at 4" O.C.**

**WALL PANEL**

**WALL FASTENER**

**1/4-14 X 7/8" LAP TEK ZAC  
FASTENER (@ MAJOR RIBS)**

**PF-12-36 ROOF PANEL**

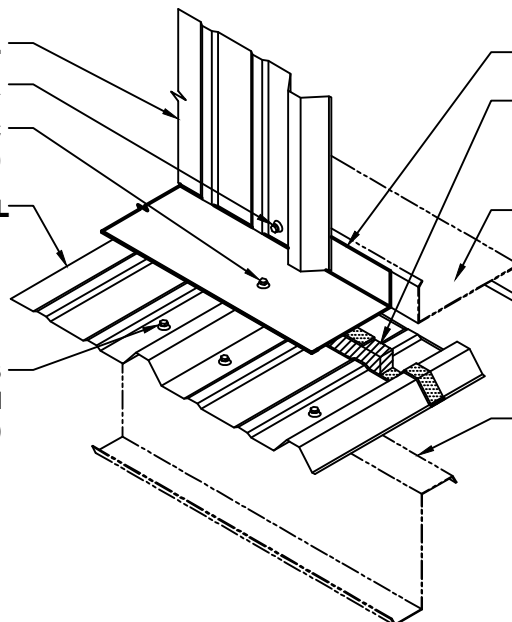
**ROOF FASTENERS  
(SEE PATTERN #1 ON  
PAGE B-1)**

**HIGH SIDE TIE-IN TRIM**

**OUTSIDE CLOSURE W/  
1" ROLL TAPE SEALANT  
(TOP & BOTTOM)**

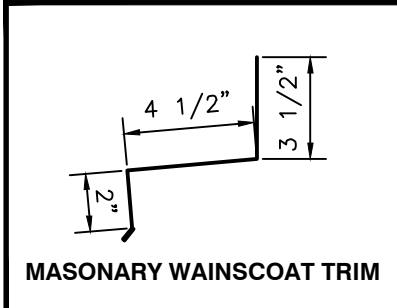
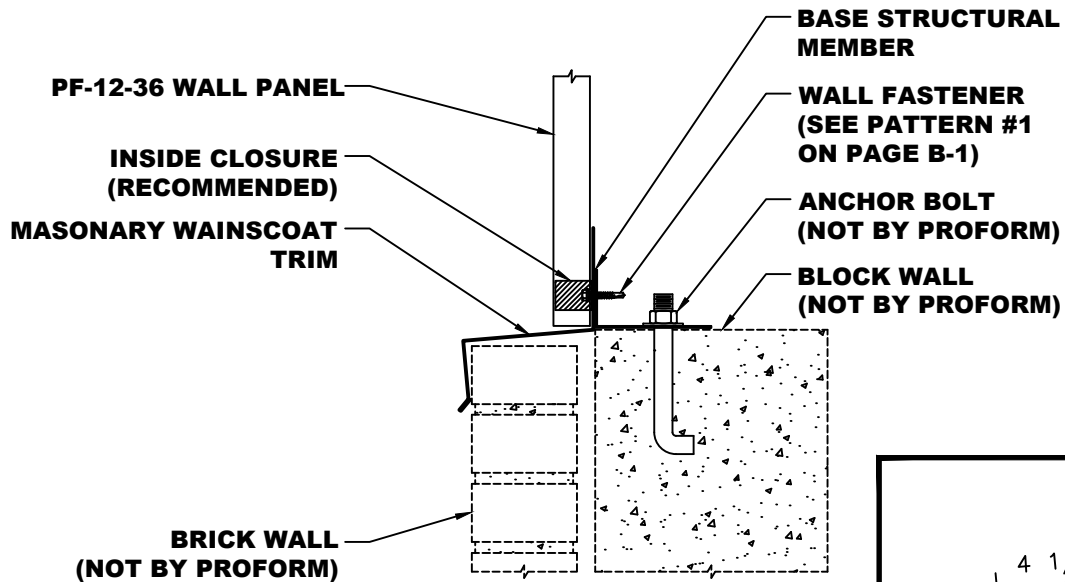
**WALL STRUCTURAL  
MEMBER**

**EAVE STRUCTURAL  
MEMBER**

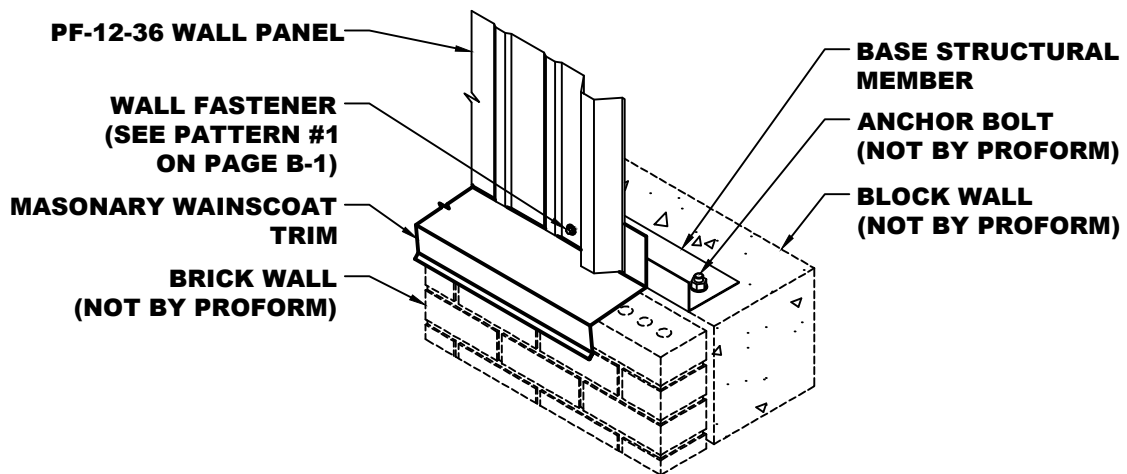


**\*NOTE: SOME TRIM ITEMS AND  
FASTENERS HAVE BEEN REMOVED  
FOR CLARITY OF ISOMETRIC  
DETAIL.**

# MASONRY WAINSCOAT DETAIL

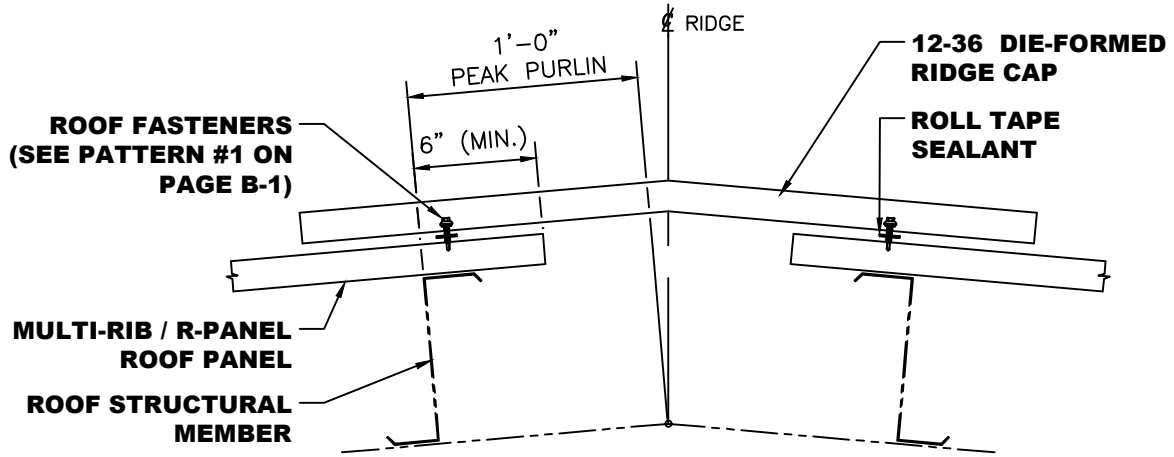


- NOTES:**
1. Attach Masonry Waincoat Trim to Base Structural Member with Temporary Framing Fasteners.
  2. Set Inside Closure in place.
  3. Attach PF-12-36 Wall Panels with Wall Fasteners. See Fastener Pattern #1 on page B-1.

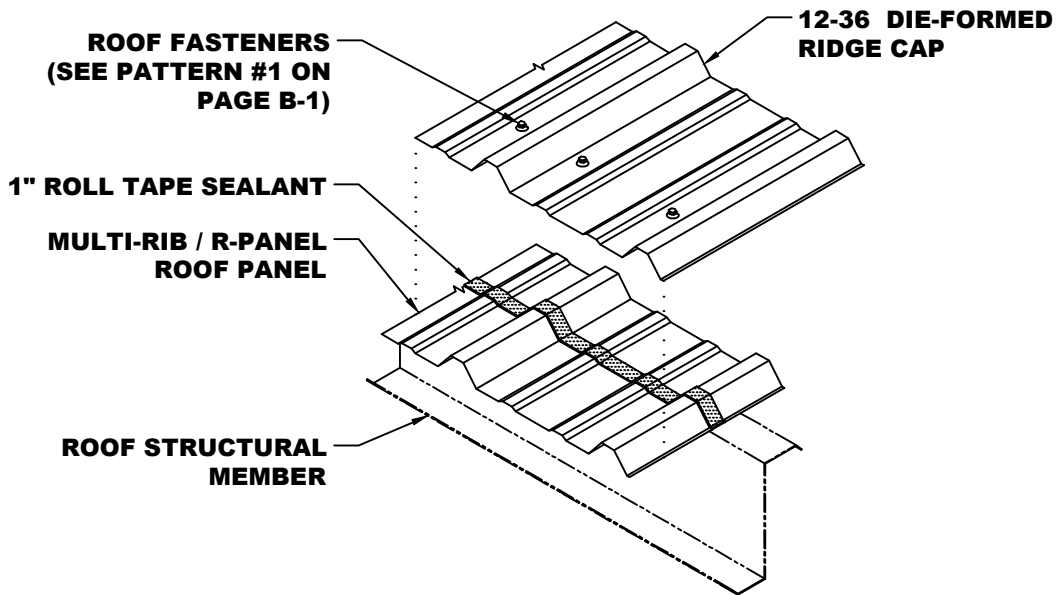


\*NOTE: SOME TRIM ITEMS AND FASTENERS HAVE BEEN REMOVED FOR CLARITY OF ISOMETRIC DETAIL.

# DIE-FORMED RIDGE CAP DETAIL

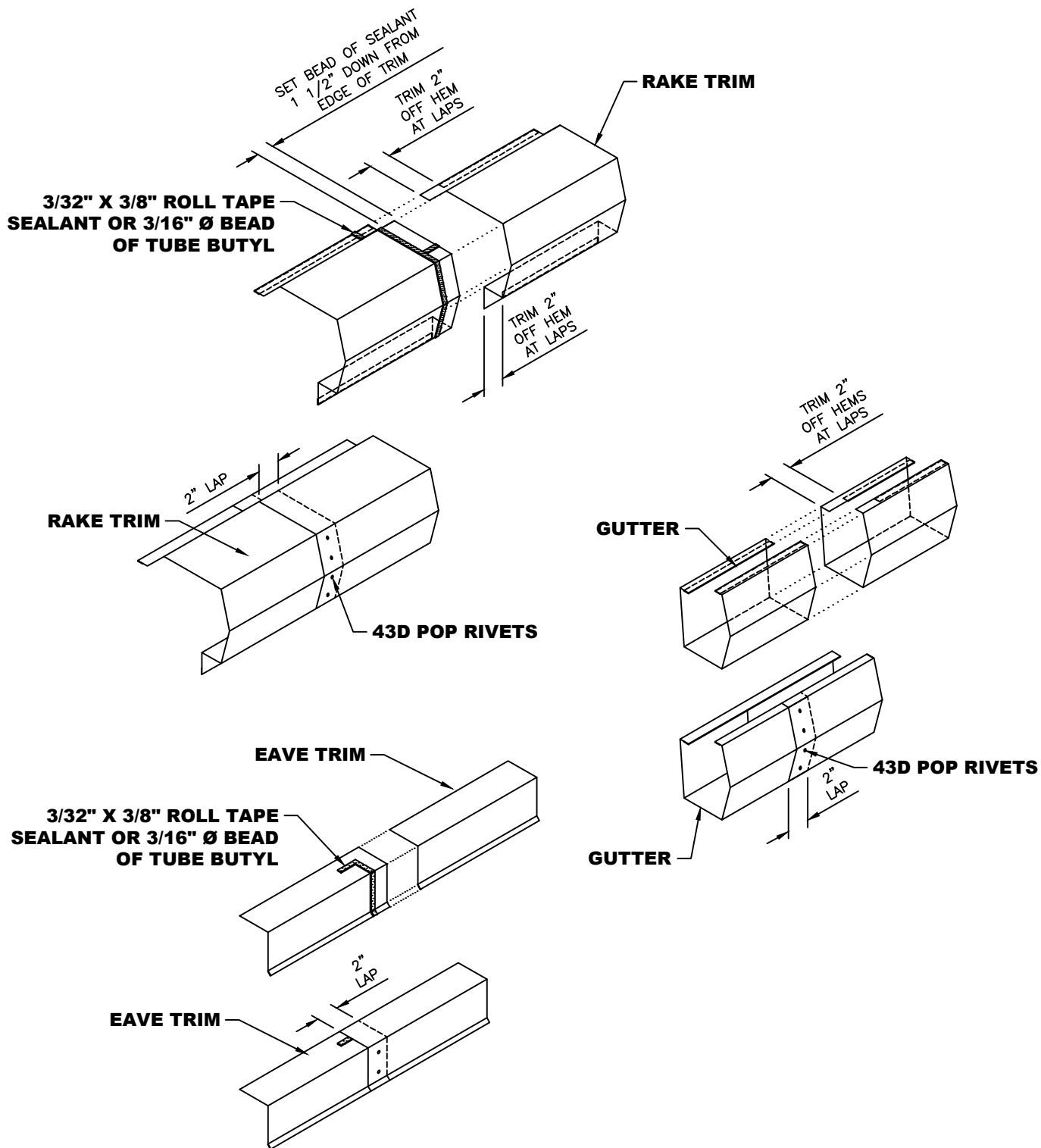


- NOTES:** 1. Install a continuous line of 1" Butyl Tape Sealant along Ridge.  
2. Attach Multi-Rib / R-Panel Die-Formed Ridge Cap using Roof Fasteners.  
See Fastener Pattern #1 on page B-1. (Make sure fasteners penetrate Butyl Tape Sealant.)



\*NOTE: SOME TRIM ITEMS AND FASTENERS HAVE BEEN REMOVED FOR CLARITY OF ISOMETRIC DETAIL.

# TYPICAL TRIM LAP DETAIL



**NOTE:** 1. Apply 3/32" x 3/8" Roll Tape Sealant or a 3/16" Ø bead of Tube Butyl 1 1/2" back from the edge of the trim. Also, apply a piece of tape sealant or bead of Tube Butyl as a Pigtail to completely seal joint.  
2. Notch the hems on the upper trim piece 2" so that the trim will fit flat in the lap joint.  
3. Secure trim laps with Pop Rivets as shown above.