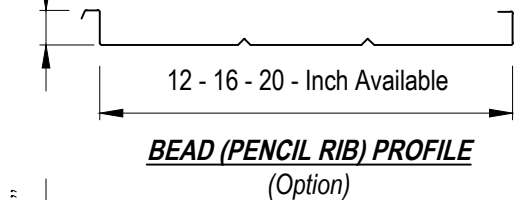
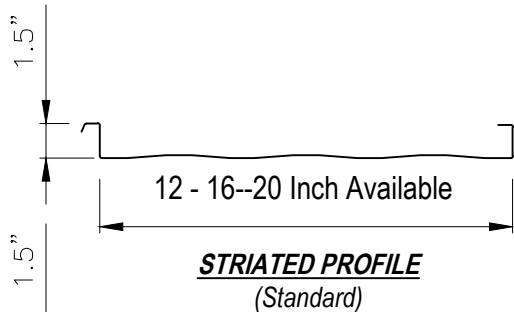


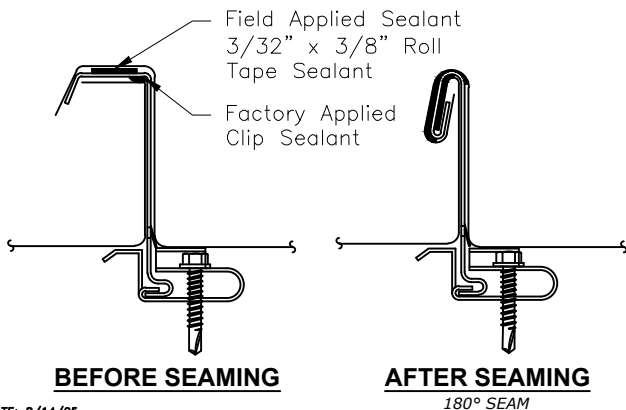
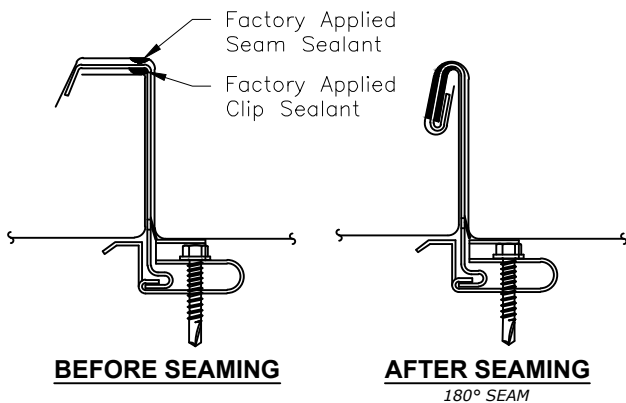
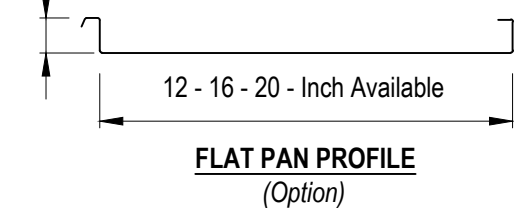
# Proform Metals LTD

## PF 1.5" Panel

## Product Data



**\*NOTE:**  
12" wide panel has a single Pencil Rib



### Applications

Mechanically Seamed roof/wall panel used on slopes down to 1:12. Continuous length up to 80'. Convex curving only – 12ft minimum radius.

### Substrates

Solid Wood Decking, Metal Deck, Rigid Insulation/Metal Deck or Open Framing.

### Material

Standard – 24 GA. ASTM A792 (50 ksi steel) AZ55 – Bare  
AZ50 – Painted  
Optional – 22 GA. ASTM A792 (50 ksi steel) AZ55 – Bare  
AZ50 – Painted  
– 0.032" Aluminum

### Manufacturing

Roll formed in factory. (Peachtree City Plant only)  
Available Factory Eave Notching of 1 1/2"

### Finishes

Acrylic Coated Galvalume®  
Fluoropolymer (Kynar 500® PVDF resin-based)

### Pan Conditions

Striated or Flat  
Oil canning is inherent in all metal panels and is not cause for panel rejection. A signed oil canning acknowledgement will be required for all orders prior to production.

### Testing \*

Uplift: ASTM E1592 (16" panel only), UL 580 Class 90  
Air & Water Infiltration: ASTM E1680, ASTM E1646  
Fire Resistance: UL 263 & UL 790 Class A  
Impact Testing: UL 2218 Class 4  
Florida Product Approval: FL 8051.2

\*Testing and Approvals are product specific. Please inquire for details.\*

### NOTE:

All data represented on this sheet may not be applicable to all widths and gauges. Please contact McElroy Metal for more information.

### NOTE:

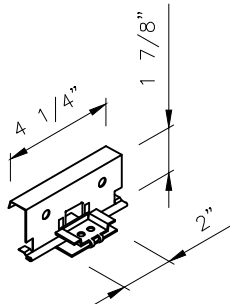
Factory applied seam sealant can only be ordered on panels that will NOT be curved. If curving these panels, the installer must field apply 3/32" x 3/8" Roll Tape Butyl Sealant.

\*Requires a Mechanical Seamer and Hand Seamer to finish seam.\*

# Proform Metals LTD

## PF 1.5" Panel (Continued)

## Product Data



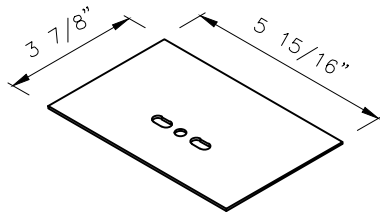
### LOW FLOATING CLIP

2-Piece

Clip: 22 GA. Galvanized G90 - ASTM A653 (50 ksi)

Base: 16 GA. Galvanized G90 - ASTM A653 (50 ksi)

NOTE: Fixed Clips Not Available

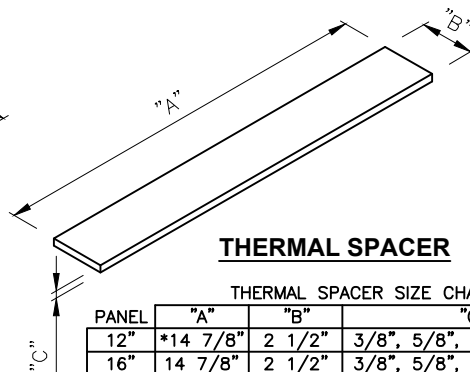


### BEARING PLATE

16 GA.

RED PRIMED - ASTM A1011 (55 ksi)

GALVANIZED - ASTM A653 (55 ksi)

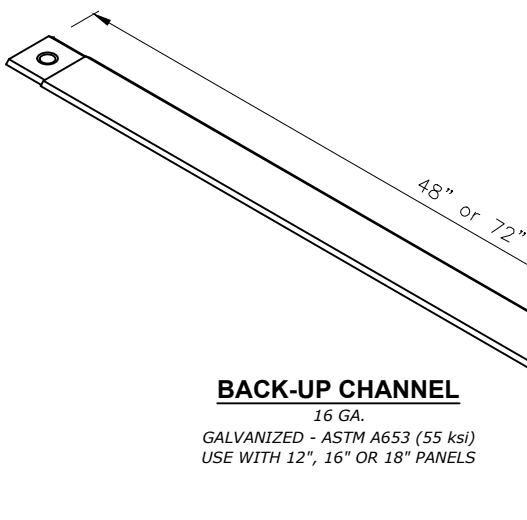


### THERMAL SPACER

THERMAL SPACER SIZE CHART

PANEL	"A"	"B"	"C"
12"	*14 7/8"	2 1/2"	3/8", 5/8", 1" or 1 3/8"
16"	14 7/8"	2 1/2"	3/8", 5/8", 1" or 1 3/8"
18"	16 7/8"	2 1/2"	3/8", 5/8", 1" or 1 3/8"

\*NOTE: FOR 12" PANELS, FIELD CUT 14 7/8" SPACERS DOWN TO 10 7/8" LONG.

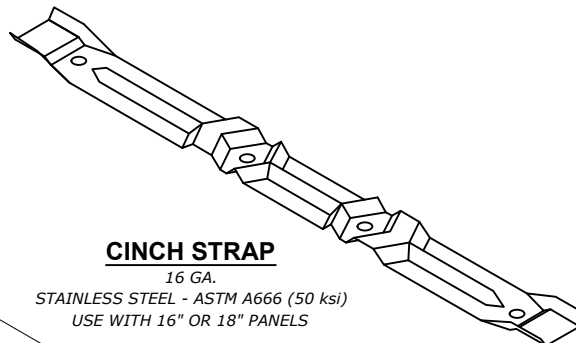


### BACK-UP CHANNEL

16 GA.

GALVANIZED - ASTM A653 (55 ksi)

USE WITH 12", 16" OR 18" PANELS

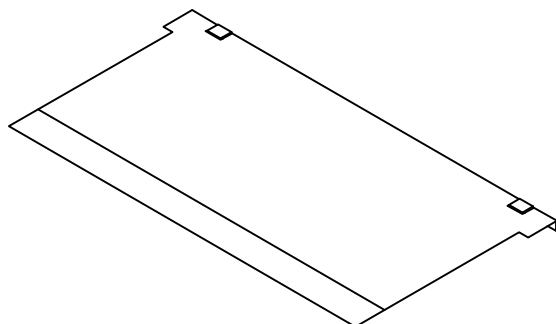


### CINCH STRAP

16 GA.

STAINLESS STEEL - ASTM A666 (50 ksi)

USE WITH 16" OR 18" PANELS



### BACK-UP PLATE

16 GA.

GALVANIZED - ASTM A653 (55 ksi)

USE WITH 16" OR 18" PANELS ONLY

### PROFORM ARCHITECTURAL ZEE CLOSURE

26 GA. - ASTM A792 (50 ksi)

FIELD CUT TO FORM OUTSIDE CLOSURES FOR 12", 16" AND 18" WIDE PANELS

