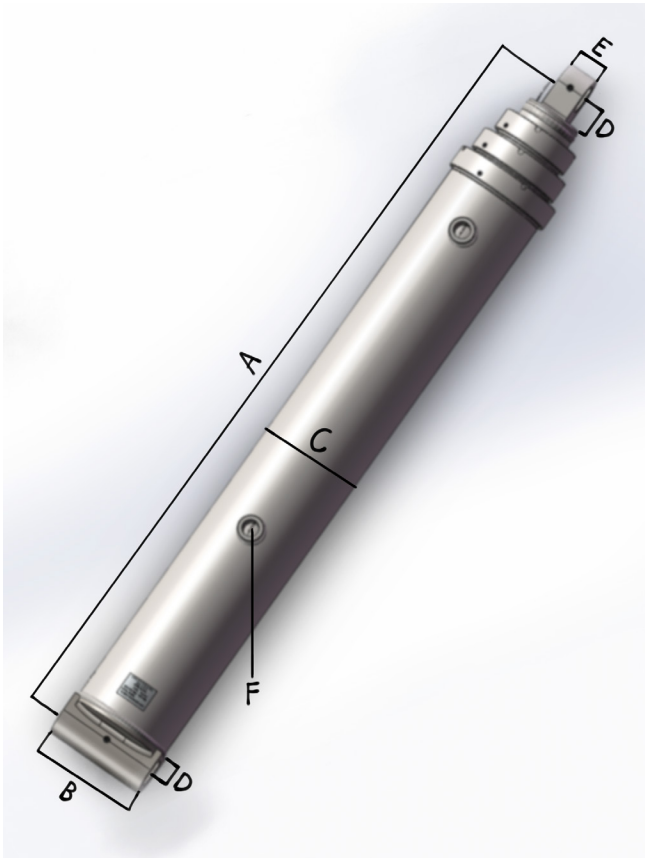




INDUSTRIAL HOIST, INC.

# TELESCOPIC HYDRAULIC CYLINDER

8S120X3



WEIGHT CAPACITY PER STAGE				
Stage	Diameter		Maximum Thrust	
	Customary	Metric	Customary	Metric
1	4"	101.6 mm	35,200 lbs	16 tons
2	5"	127.0 mm	55,000 lbs	25 tons
3	6"	152.4 mm	79,200 lbs	36 tons

TECHNICAL DATA		
	Customary	Metric
Maximum Working Pressure	2,900 psi	200 bar
Weight	284 lbs	129 kg
Total Volume	12.6 gal	48 L
Work Volume	10.5 gal	40 L

DIMENSIONS		
	Customary	Metric
A	53.5"	1359 mm
Stroke	120"	3049 mm
Open	173.5"	4408 mm
B	7.125"	181 mm
C	7"	177.8 mm
D	2"	50.8 mm
E	2"	50.8 mm
F	NPT 1"	NPT 1"

TECHNICAL NOTES
It is recommended that the cylinder rest with 20 to 50 mm (3/4 to 2 inches) of its course opened, while installed on the equipment.
Limit the extension of the last stage to 70% of its total course.
The only recommended function for this hydraulic cylinder is to open and close, and should not be used in any other way.
The cargo weight is for reference only.
All stages are plated with hard chrome.