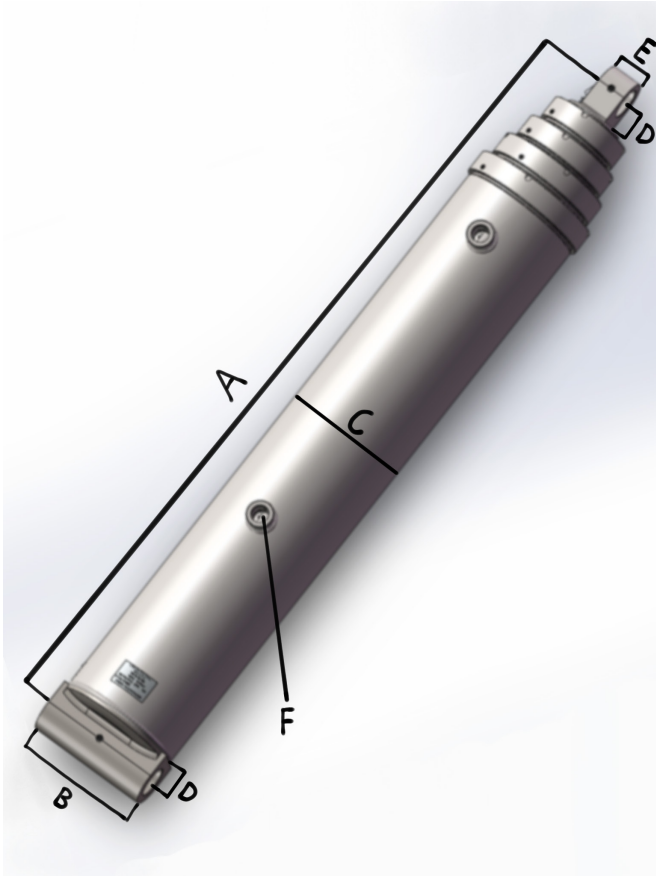




INDUSTRIAL HOIST, INC.

TELESCOPIC HYDRAULIC CYLINDER

8S156X4



WEIGHT CAPACITY PER STAGE

Stage	Diameter		Maximum Thrust	
	Customary	Metric	Customary	Metric
1	4"	101.6 mm	35,200 lbs	16 tons
2	5"	127 mm	55,000 lbs	25 tons
3	6"	152.4 mm	79,200 lbs	36 tons
4	7"	177.8 mm	107,800 lbs	49 tons

TECHNICAL DATA

	Customary	Metric
Maximum Working Pressure	2,900 psi	200 bar
Weight	392 lbs	178 kg
Total Volume	19.5 gal	74 L
Work Volume	16.6 gal	63 L

DIMENSIONS

	Customary	Metric
A	53"	1346 mm
Stroke	156"	3963 mm
Open	209"	5309 mm
B	8.19"	208 mm
C	8.12"	206.25 mm
D	2"	50.8 mm
E	2"	50.8 mm
F	NPT 1"	NPT 1"

TECHNICAL NOTES

It is recommended that the cylinder rest with 20 to 50 mm (3/4 to 2 inches) of its course opened, while installed on the equipment.

Limit the extension of the last stage to 70% of its total course.

The only recommended function for this hydraulic cylinder is to open and close, and should not be used in any other way.

The cargo weight is for reference only.

All stages are plated with hard chrome.