

Combo Unit: **R-MOD ET**



INTRODUCTION

- New series of stepper motors with integrated ministep bipolar chopper drives; setting by means of EtherCAT interface and based on encoder.
- More compact system housed in a metallic box mounted on motor body, minimizing dimensions and optimizing wiring and mounting easiness.
- Target: advanced applications with distributed electronics requiring compact dimensions and ensuring perfect integration in complex EtherCAT architectures.

HIGHLIGHTS EtherCAT[®] INTERFACE

- Communication by means of EtherCAT (CoE) interface.
- Modes of operation: PROFILE POSITION and CSP.
- Different variety of HOMING operation modes.
- PROXIMITY hardware input.
- Motor current overboost.
- Intelligent management of the current profile.



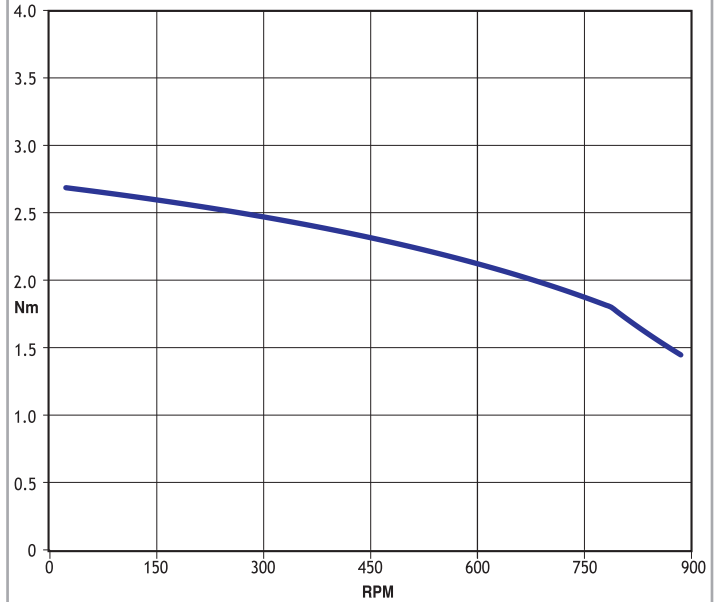
R-MOD ET X ₁ - X ₂ - X ₃ - X ₄ - X ₅ - n		
<i>X₁ = Electronic features</i>	<i>X₂X₃X₄X₅ = Motor type and power</i>	<i>n = Release software</i>
E: EtherCAT - Encoder	X ₂ = Maximum power X ₃ = Mechanical hardware identification X ₄ = Motor type X ₅ = Motor current	Alphanumeric character
Available version: R-MOD ET E3H2MA		

TECHNICAL FEATURES

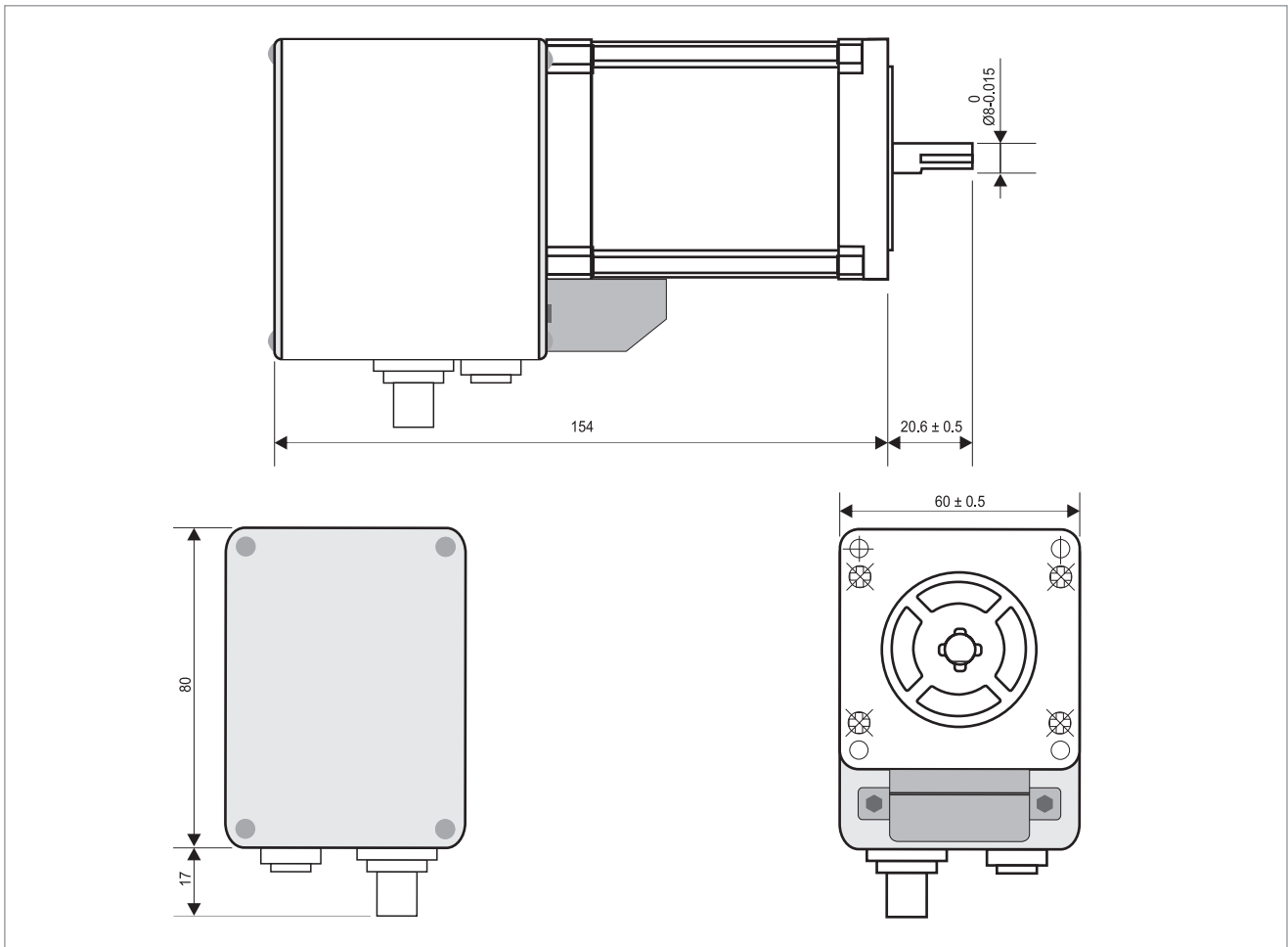
- Range of operating voltage: 24-48 V_{DC}.
- Automatic current reduction at motor standstill.
- Protections:
 - Protection against under-voltage and over-voltage.
 - Protection against a short-circuit at motor outputs.
 - Overtemperature protection.
- Electronic damping facility for further acoustic noise and mechanic vibrations reduction.
- Command to execute runs with position control to set: distance, direction, speed and acceleration.
- Command to execute zero research (HOMING).
- Possibility to detect motor loss of synchronism or stall and position error by means of encoder.

EtherCAT®

R-MOD ET MOTORS (□ 60 mm) TORQUE CURVE - 48 V_{DC}



MECHANICAL DIMENSIONS



© R.T.A. s.r.l. PAVIA (Italy) Allegato cat. CAE 06-14 Ed. 01.03.2018



R.T.A. s.r.l.
Via E. Mattei - Fraz. Divisa
27020 MARCIGNAGO (PV) ITALY
Tel. +39.0382.929.855 - Fax +39.0382.929.150
www.rta.it

R.T.A. Deutschland GmbH
Bublitzer Straße 34
40599 DÜSSELDORF (Germany)
Tel. +49.211.749.668.60 - Fax +49.211.749.668.66
www.rta-deutschland.de

R.T.A. IBERICA-Motion Control Systems S.L.
C/Generalitat 22, 1º 3º
08850 GAVA - BARCELONA (Spain)
Tel. +34.936.388.805 - Fax +34.936.334.595
www.rta-iberica.es