

Combo Unit: **HI-MOD A/E**

CANopen[®]



INTRODUCTION

- Series of stepper motors with integrated ministepp bipolar chopper drives equipped with programmable motion controller. Setting by means of CANopen interface. It is based on the following versions:
 - **HI-MODE** with Incremental Encoder
 - **HI-MODA** with Multi-Turn Absolute Encoder
- Compact system housed in a metallic box mounted on motor body, minimizing dimensions and optimizing wiring and mounting easiness.
- Target: advanced applications requiring the detection of motor loss of synchronism or stall by means of encoder and programmable motion controller setting by means of CANopen interface.
- UL/CSA certified.

FILE NUMBER: E355001



HIGHLIGHTS

- Microstepping function up to 3.200 step/rev.
- Communication by means of CANopen interface .
- Command to execute runs with position control to set: distance, direction, speed and acceleration.
- Command to execute zero research (HOMING).
- Possibility to detect motor loss of synchronism or stall and position error by means of Incremental Encoder (HI-MOD E) or high resolution Multi-Turn Absolute Encoder (HI-MODA).
- The system does not need back-up battery to keep the information when shut down (HI-MODA).

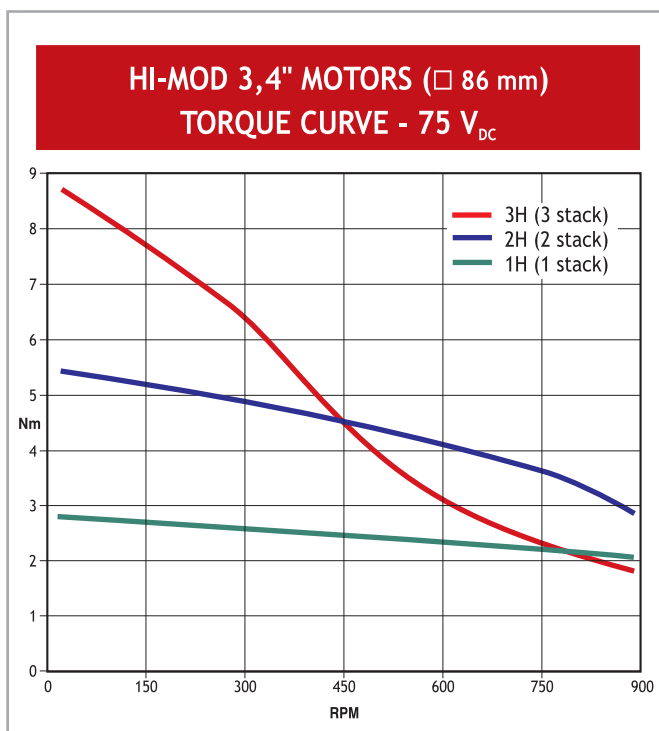
CANopen[®]

HI-MOD X₁ - X₂ - X₃ - X₄ - X₅ - n

X ₁ = Electronic features	X ₂ X ₃ X ₄ X ₅ = Motor type and power	n = Release software
E: CANopen - Incremental Encoder A: CANopen - Multi-Turn Absolute Encoder	X ₂ = Maximum power X ₃ = Mechanical hardware identification X ₄ = Motor type X ₅ = Motor current	0 ÷ 9

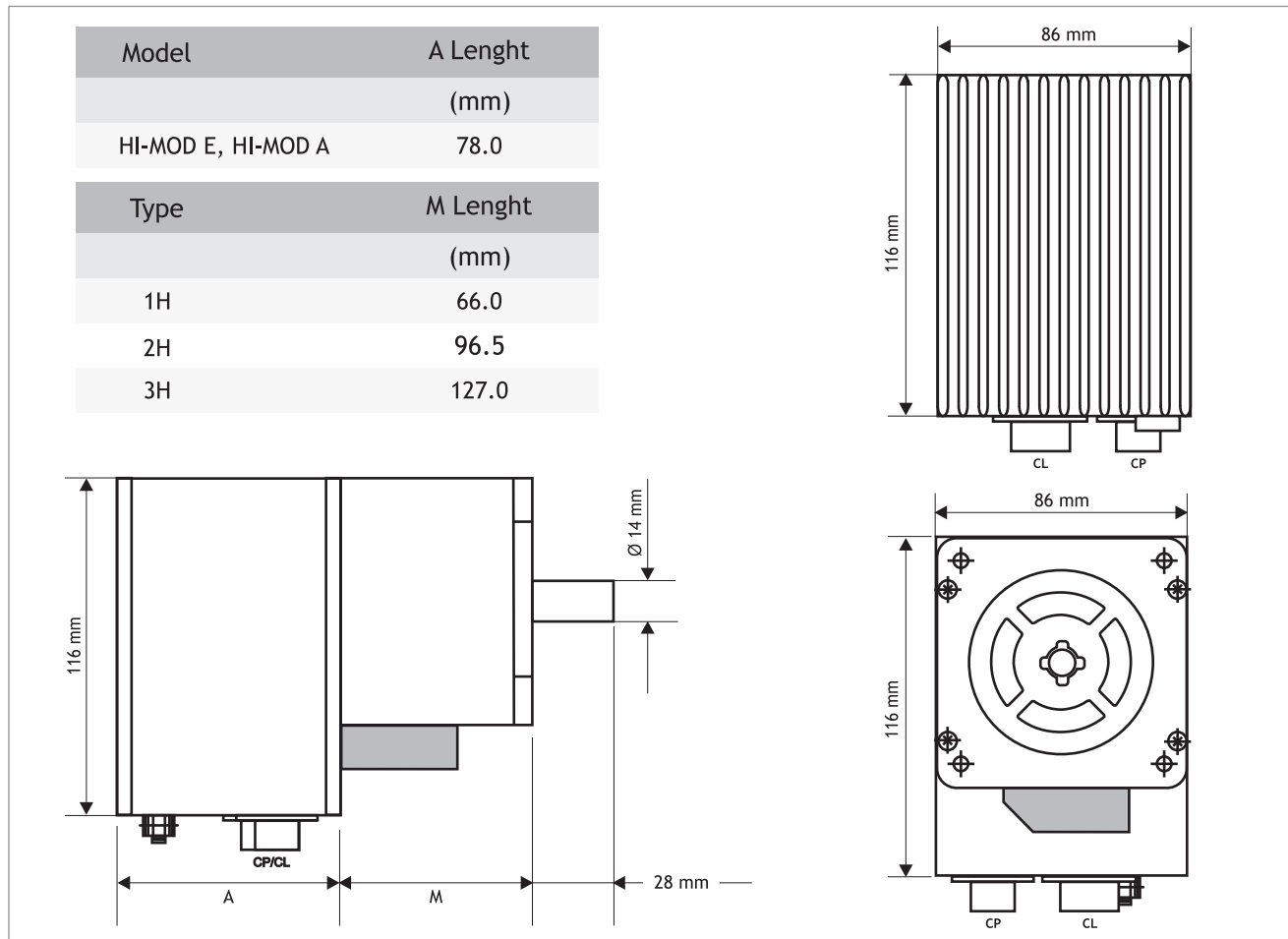
TECHNICAL FEATURES

- Range of operating voltages: 32-75 V_{DC}.
- Microstepping: 400, 800, 1.600 and 3.200 steps /rev. Setting by means of CANopen interface.
- Automatic current reduction at motor standstill.
- Protections:
 - Protection against under-voltage and over-voltage.
 - Protection against a short-circuit at motor outputs.
 - Overtemperature protection.
- Electronic resonance damping circuit to ensure acoustic noise and mechanic vibrations reduction.
- Command to execute runs with position control to set: distance, direction, speed and acceleration.
- Command to execute zero research (HOMING).
- Possibility to detect motor loss of synchronism or stall and position error by means of Incremental Encoder (HI-MOD E) or high resolution Multi-Turn Absolute Encoder (HI-MODA).
- The system does not need back-up battery to keep the information when shut down (HI-MODA).
- UL/CSA certified.



RTA[®] US

MECHANICAL DIMENSIONS



© R.T.A. s.r.l. PAVIA (Italy) CAE - 06 - 14



R.T.A. s.r.l.
Via E. Mattei - Fraz. Divisa
27020 MARCIGNAGO (PV) ITALY
Tel. +39.0382.929.855 - Fax +39.0382.929.150
www.rta.it

R.T.A. Deutschland GmbH
Bublitzer Straße 34
40599 DÜSSELDORF (Germany)
Tel. +49.211.749.668.60 - Fax +49.211.749.668.66
www.rta-deutschland.de

R.T.A. IBERICA-Motion Control Systems S.L.
C/Generalitat 22, 1° 3°
08850 GAVA - BARCELONA (Spain)
Tel. +34.936.388.805 - Fax +34.936.334.595
www.rta-iberica.es