

FLANGED BRASS THREADED INSERT  
#8-32 UNC  
DODGE ULTRSERT IV  
UFB000832 OR EQUIV.  
6 PLACES

FLANGED BRASS THREADED INSERT  
#6-32 UNC  
DODGE ULTRSERT IV  
UFB000632-177 OR EQUIV.  
3 PLACES

ITEM NO.	PartNo	DESCRIPTION	QTY.
1	SKD 00071	SKO DRUM HANDLE DETENT	1
2	SKD 00171	.1875 DIA SLOTTED ROLL PIN X .875	1
3	SKD 00172	#5-40 THIN LOCKNUT	1
4	SKD 00249	SKO DRUM CLIP RIGHT HALF	1
5	SKD 00250	SKO DRUM CLIP LEFT HALF	1
6	SKD 00251	SKO DRUM DRUM CASE	1
7	SKD 00252	SKO DRUM COVER	1
8	SKD 00253	SKO DRUM INDEXER FRONT	1
9	SKD 00254	SKO DRUM INDEXER BACK	1
10	SKD 00255	SKO DRUM INDEXER WIND DISC	1
11	SKD 00256	SKO DRUM TORSION WIND SPRING	1
12	SKD 00257	SKO DRUM INEXER STOP RAIL	1
13	SKD 00258	SKO DRUM DUMMY ROUND	3
14	SKD 00259	SKO DRUM WIND HANDLE	1
15	SKD 00260	SKO DRUM WINDER SHAFT	1
16	SKD 00261	#6-32 FLAT HD CAP SCREW X .500	3
17	SKD 00262	#6-32 BRASS THREADED INSERT	3
18	SKD 00263	#5-40 BTN HD CAP SCREW X .3125	1
19	SKD 00264	SKO DRUM HANDLE DETENT SPRING	1
20	SKD 00265	#8-32 SOCKET HD CAP SCREW X .500	6
21	SKD 00266	#8-32 BRASS THREADED INSERT	6
22	SKD 00267	3MM STEEL BALL	14
23	SKD 00268	#8 MIL SPEC WASHER	6
24	SKD 00269	.125 SLOTTED ROLL PIN X .78	1
25	SKD 00270	SKO DRUM 1/4-20 LOCKNUT	1
26	SKD 00358	SKO DRUM MHO DUMMY ROUND	1
27	SKD 00458	SKO DRUM FHO DUMMY ROUND	1
28	SKD 0271	SKO DRUM 2.5M X 10 SLOTTED ROLL PIN	2

**PROPRIETARY AND CONFIDENTIAL**  
THE INFORMATION CONTAINED IN THIS DRAWING IS THE SOLE PROPERTY OF CONNECTICUT SHOTGUN MFG CO. ANY REPRODUCTION IN PART OR AS A WHOLE WITHOUT THE WRITTEN PERMISSION OF CONNECTICUT SHOTGUN MFG CO. IS PROHIBITED.

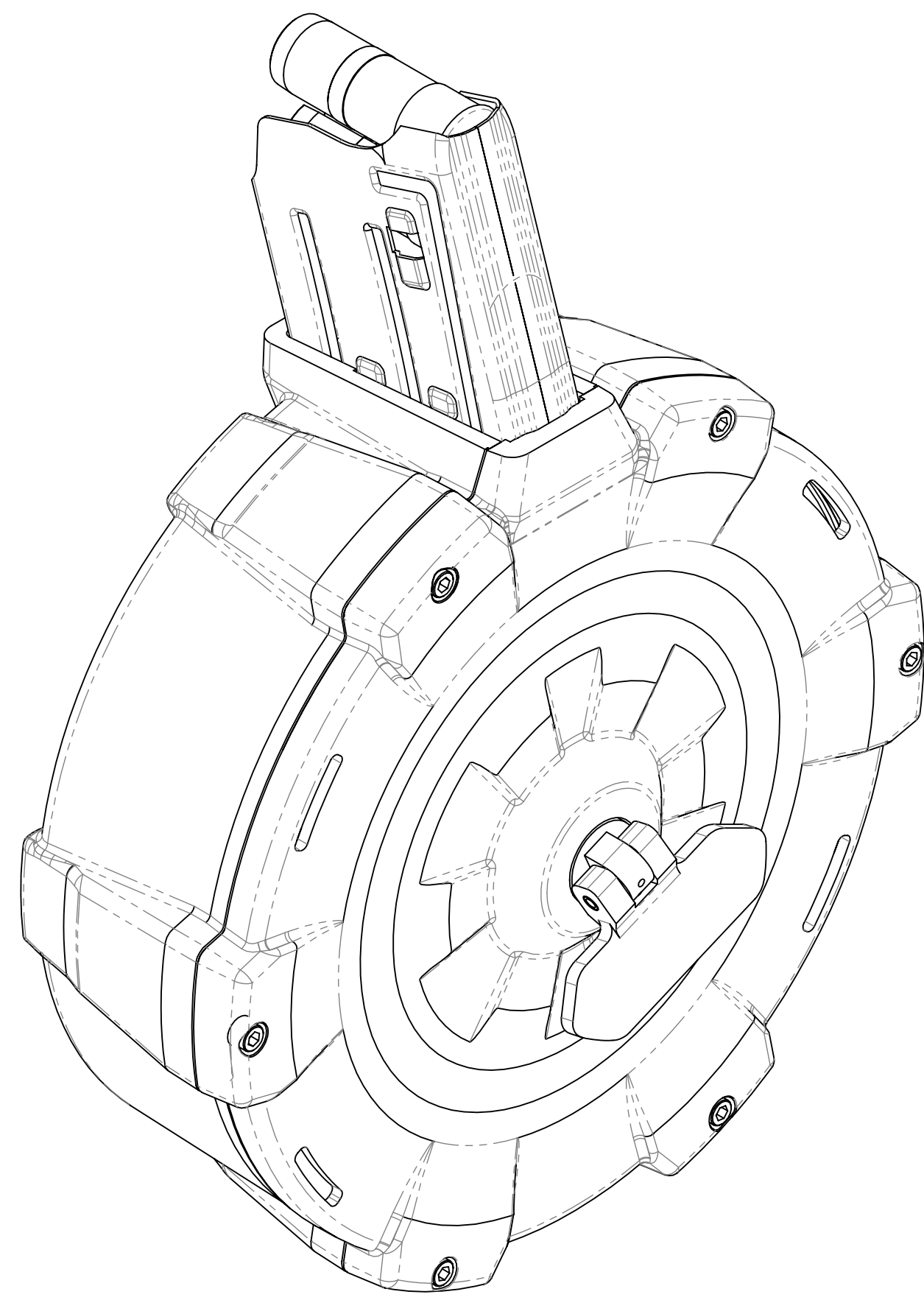
UNLESS OTHERWISE SPECIFIED:		DRAWN	NAME	DATE	CONNECTICUT SHOTGUN MFG CO
DIMENSIONS ARE IN INCHES		CHECKED	P.J.C	08/18/21	
TOLERANCES:		G.A.			
FRACTIONAL ±.02		COMMENTS:			
ANGULAR: MACH ±.12 BEND ±					
TWO PLACE DECIMAL ±.01					
THREE PLACE DECIMAL ±.003					
INTERPRET GEOMETRIC TOLERANCING PER:					
MATERIAL:					
NEXT ASSY	USED ON	FINISH			
APPLICATION					

TITLE:  
**SKO 25 RND  
DRUM MAG**

SIZE DWG. NO. REV  
**D SKD 11025 H**

SCALE: 1:5 WEIGHT: SHEET 1 OF 2

D SKD 11025 H



SKO  
25  
ROUND  
DRUM

