



ITEM NO.	Description	MATERIAL	PartNo	QTY.
1	DBL PUMP BOLT BODY		DP 0013	1
2	DBL PUMP BOLT LOCK	4140	DP 0015	1
3	DBL PUMP FIRING PIN	4140 STEEL	DP 0016	1
4	M3 SOC HD CAP SCREW X .16MM		DP 0036	1
5	DBL PUMP EXTRACTOR		DP 0043	1
6	DBL PUMP LIFTER		DP 0044	1
7	DBL PUMP MAG TUBE THREADED END		DP 0052	1
8	DBL PUMP BARREL SCREW		DP 0053	1
9	SP PUMP MAGAZINE TUBE PLUNGER		DP 0056	1
10	M3 HEX LOCK NUT BLACK		DP 0072	1
11	#8-32 BIN HD CAP SCREW		DP 0078	4
12	DBL PUMP LOW HD #6-32 X .25	OPTION 6-32 FLT HD X 1/4 SP 00244	DP 0079	2
13	#8-32 FLAT HD CAP SCREW X .375		DP 0106	2
14	EXTRACTOR SLOTTED ROLL PIN Ø2MM X 18MM		DP 0134	1
15	BOLT SLOTTED ROLL PIN Ø5/32 X 5/8LONG	FASTENAL	DP 0135	1
16	FIRING PIN SLOTTED ROLL PIN Ø3MM X 10MM	FASTENAL	DP 0136	1
17	SP SAFETY END CAP		DP 0290-2	2
18	DBL PUMP SPREADER CHOKE TUBE		DP 1998	1
19	DBL PUMP EXTRACTOR SPRING		DP 2120	1
20	SKO FOREND ATTACHMENT	SKO 00109		1
21	SP 12 RECEIVER		SP 00001	1
22	SP BARREL EXTENSION	4140	SP 00005	1

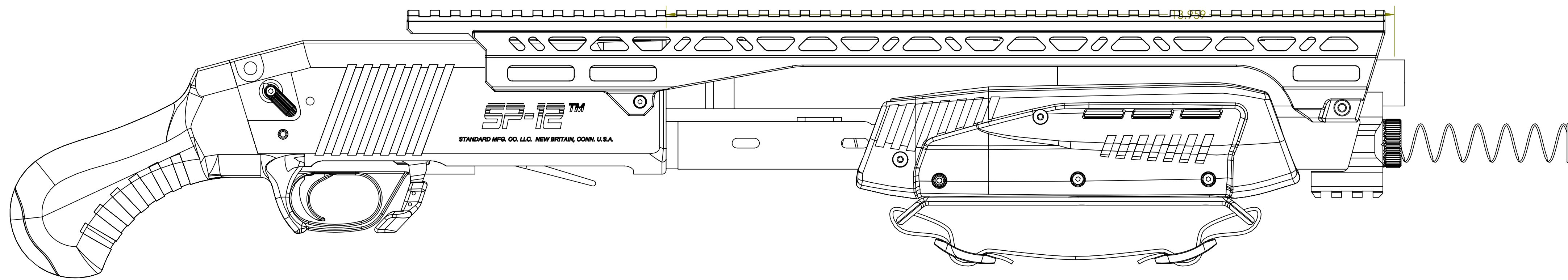
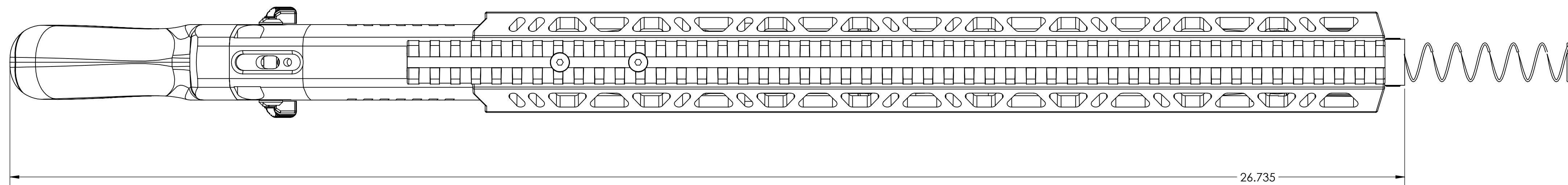
ITEM NO.	Description	MATERIAL	PartNo	QTY.
23	#5-40 SOC HD CAP SCREW X .25		SP 00011	4
24	SP SINGLE BOLT SLED	4140	SP 00014	1
25	SP 12 SHELL RELEASE RIGHT		SP 00027	1
26	SP BOLT RELEASE BUTTON		SP 00030	1
27	SP 12 BARREL LUG		SP 00038	1
28	SP 12 BOLT RELEASE ARM RIGHT		SP 00041	1
29	1/4-20 SOCKET HEAD CAP SCREW X .750		SP 00049	1
30	SP 12 TRIGGER GROUP HOUSING		SP 00050	1
31	SP TRIGGER	ADK	SP 00051	1
32	SP 12 SAFETY SEAR LINK		SP 00052	1
33	SP SEAR	4140	SP 00053	1
34	SP TRIGGER LOCK LINK	1075	SP 00054	1
35	SP HAMMER SPRING GUIDE PIN	01 STEEL	SP 00055	1
36	SP HAMMER SPRING GUIDE MANDREL	01 STEEL	SP 00056	2
37	SP HAMMER SPRING ANCHOR POST	01 STEEL	SP 00057	1
38	SP HAMMER	4140	SP 00058	1
39	SP TRIGGER PLUNGER	01 STEEL	SP 00059	1
40	SP TRIGGER SAFETY SPACER	01 STEEL	SP 00060	1
41	SP BOLT RELEASE LEVER		SP 00061	1
42	SP TRIGGER PLUNGER SPRING	MUSIC WIRE	SP 00062	1
43	SP SEAR SPRING	MUSIC WIRE	SP 00063	1
44	SP TRIGGER SEAR RETURN SPRING	MUSIC WIRE	SP 00064	1
45	SP HAMMER SPRING	MUSIC WIRE	SP 00065	2
46	SP HAMMER PIVOT PIN	01 STEEL	SP 00066	1
47	SP TRIGGER/SEAR PIVOT PIN	01 STEEL	SP 00067	1
48	SP TRIGGER E-CLIP	FASTENAL	SP 00068	1
49	SP LIFTER PIVOT PIN		SP 00086	1
50	SP PUMP SLIDE ARM LEFT	FASTENAL	SP 00102	1
51	SP SLIDE ARM CROSS PIECE	4140	SP 00103	1
52	SP PUMP SLIDE ARM LEFT		SP 00104	1
53	SP TRIGGER GROUP PIN		SP 00105	1
54	#6-32 FLAT HD CAP SCREW X .375		SP 00108	4
55	SP TRIGGER GROUP PIN SLEEVE		SP 00109	1
56	SP TRIGGER PIN SLEEVE RETAINER		SP 00110	1
57	SP 12 FOREND KNOB PLUNGER		SP 00112	1
58	SP 12 SAFETY PLUNGER		SP 00113	1
59	SP 12 SAFETY PLUNGER SPRING		SP 00114	2
60	#6-32 SET SCREW X .125		SP 00115	1
61	M2.5 SOC HD CAP SCREW X 6MM		SP 00116	2
62	SP 12 SHELL RELEASE LEFT		SP 00127	1
63	SP FOREND STRAP MOUNT		SP 00133	1
64	SP WEBBED HAND STRAP		SP 00134	1
65	SP 1.5" STRAP BUCKLE		SP 00135	2
66	SP 12 RECEIVER RAIL POST		SP 00162	1
67	SP 12 TRIGGER PIVOT PIN		SP 00167	1
68	SP SAFETY BARREL LEFT		SP 00190	1
69	SP SAFETY BARREL RIGHT		SP 00191	1
70	SP TACTICAL SAFETY LOCK WASHER		SP 00192	1
71	1/4-20 MIL SPEC LOCK WASHER		SP 00195	1
72	SP 12 SHORTY GRIP		SP 00204	1
73	SP 12 SHORTY GRIP CAP		SP 00205	1
74	SP TRIGGER RETURN M3 x 6MM SET SCREW		SP 00210	1
75	SP 12 FOREND LEFT		SP 00231	1
76	SP 12 FOREND RIGHT		SP 00232	1
77	SP 12 MOLDED SHORTY BARREL SHROUD		SP 00240	1
78	#6-32 BRASS INSERT		SP 00241	1
79	.500 ID EXTERNAL TOOTH LOCKWASHER		SP 00242	1
80	#6-32 SOC HD CAP SCREW X .625 LONG		SP 00243	1
81	#10-24 FLAT HD CAP SCREW X .500		SP 00245	2
82	SP 12 SHORTY MAGAZINE SPRING		SP 00255	1
83	SP SHORTY BARREL X 14.5 LONG		SP 00317	1
84	SP SHORTY PUMP MAGAZINE TUBE		SP 00350	1
85	4-40 SOC HD CAP SCREW X .250		T22 0113	1

SP 1057  
SLIDE ARM  
ASSY

ZONE	REV.	DESCRIPTION	DATE	APPROVED
	B	SPRING SUPPORTS, SOFTGRIP	7/1/2014	
	E	FOREND BOLT LOCK WASHER	12/2/2021	
	D	FASTENERS ADDED	12/2/2021	
	G	FASTENER CALLOUT AND OPTION	2/2/2022	
	H	DP 00290-2, SP 01057, SP 00106, SP 00107 REMOVED	6/16/2022	

PROPRIETARY AND CONFIDENTIAL  
THE INFORMATION CONTAINED IN THIS DRAWING IS THE SOLE PROPERTY OF CONNECTICUT SHOTGUN MFG CO. ANY REPRODUCTION IN PART OR AS A WHOLE WITHOUT THE WRITTEN PERMISSION OF CONNECTICUT SHOTGUN MFG CO. IS PROHIBITED.

UNLESS OTHERWISE SPECIFIED: DIMENSIONS ARE IN INCHES TOLERANCES: FRACTIONAL ±.02 ANGULAR: MACH ±.12 BEND ± TWO PLACE DECIMAL ±.01 THREE PLACE DECIMAL ±.003		NAME P/JC	DATE 11/30/21	CONNECTICUT SHOTGUN MFG CO
DRAWN	CHECKED	ENG APPR.	MFG APPR.	TITLE: <b>SHORTY PUMP ASSY EXPLODED</b>
INTERPRET GEOMETRIC TOLERANCING PER: MATERIAL		G.A.	COMMENTS:	SIZE DWG. NO. <b>D SP 02000 H</b>
NEXT ASSY	USED ON	FINISH	APPLICATION	SCALE: 1:10 WEIGHT: SHEET 1 OF 2



**PROPRIETARY AND CONFIDENTIAL**  
 THE INFORMATION CONTAINED IN THIS DRAWING IS THE SOLE PROPERTY OF CONNECTICUT SHOTGUN MFG CO. ANY REPRODUCTION IN PART OR AS A WHOLE WITHOUT THE WRITTEN PERMISSION OF CONNECTICUT SHOTGUN MFG CO. IS PROHIBITED.

UNLESS OTHERWISE SPECIFIED:		DRAWN	NAME	DATE	CONNECTICUT SHOTGUN MFG CO
DIMENSIONS ARE IN INCHES		CHECKED	PJC		
TOLERANCES:		ENG APPR.			
FRACTIONAL ±.02		MFG APPR.			
ANGULAR: MACH ±.12 BEND ±.01		Q.A.			
TWO PLACE DECIMAL ±.01		COMMENTS:			
THREE PLACE DECIMAL ±.003					
INTERPRET GEOMETRIC TOLERANCING PER:					
MATERIAL					
NEXT ASSY	USED ON	FINISH			
APPLICATION					

**TITLE:**  
**SHORTY PUMP**  
**ASSY EXPLODED**

SIZE DWG. NO. REV  
**D 02000 H**  
 SCALE: 1:4 WEIGHT: SHEET 2 OF 2

D SP 02000