

**PLUMBING KEYNOTES:**

- P1 PROVIDE 2" V UP
- P2 PROVIDE SANITARY PIPING BELOW FLOOR.
- P3 DROP 1/2" CONDENSATE DRAIN LINE TO HUB DRAIN. REFER TO A1/P-201 FOR DETAIL.
- P4 CONNECT CANOPY STORM LINE TO EXISTING STORM SYSTEM ON SITE. COORDINATE LOCATION AND INVERTS WITH G.C..
- P5 PROVIDE 3" HUB DRAIN, HD-1, FOR CASE CONDENSATE SUCH THAT A CODE COMPLIANT AIR GAP IS MAINTAINED PRIOR TO ROUGH-IN. COORDINATE WITH REFRIGERATION CONTRACTOR, G.C., AND ALDI FIELD REPRESENTATIVE EXACT LOCATIONS BEFORE INSTALLING PER DIMENSIONS SHOWN ON P-102. SIMILAR TO DETAIL C1/P-201.
- P7 ROUTE 2" CONDENSATE DRAIN LINE FROM PUMP AT LOCATION SHOWN AND RUN TO HUB DRAIN.
- P8 SUMP PUMP AND BASIN AT LOCATION SHOWN. REFER TO DETAIL B1/P-201.
- P9 PROVIDE HUB DRAIN FOR FUTURE USE WITH CAP, REFER TO P-201 FOR FUTURE CAP SPECIFICATIONS.
- P10 PROVIDE 3" HUB DRAIN, HD-1, FOR COOLER/FREEZER CONDENSATE. COORDINATE WITH REFRIGERATION CONTRACTOR, G.C., AND ALDI FIELD REPRESENTATIVE SUCH THAT A CODE COMPLIANT AIR GAP IS MAINTAINED PRIOR TO ROUGH-IN. REFER TO LOCATION PLAN P-102. SIMILAR TO DETAIL A1/P-201.
- P11 PROVIDE CLEANOUT.
- P12 PROVIDE VENT THROUGH ROOF.
- P13 PROVIDE 2" PVC DOWNSPOUT FROM CANOPY TO EXISTING STORM SYSTEM. PROVIDE WALL CLEANOUT WITHIN PILASTER 24" ABOVE FINISHED GRADE.
- P14 PROVIDE ROOF DRAIN.

- P15 PROVIDE ROOF HYDRANT AT A MINIMUM OF DISTANCE OF 4'-0" FROM ROOF HATCH OPENING.
- P16 PROVIDE HUB DRAIN FOR SUMP DISCHARGE. REFER TO C1/P-102 FOR DETAIL.
- P17 PROVIDE GAS PIPING TO RTU. PROVIDE WITH DIRT LEG AND ISOLATION SHUTOFF VALVE. MAKE FINAL CONNECTION TO UNIT. REFER TO DETAIL D1/P-201.
- P18 PROVIDE 3/4" ANTI-FREEZE LOCKABLE BOX WALL HYDRANT. MOUNT 18" ABOVE FINISHED GRADE. PROVIDE WITH TWO (2) EXTRA KEYS.
- P19 PROVIDE WATER CLOSET AND FLUSH VALVE. CONNECT TO EXISTING UTILITIES AS REQUIRED.
- P20 PROVIDE URINAL AND FLUSH VALVE. CONNECT TO EXISTING UTILITIES AS REQUIRED.
- P21 PROVIDE LAVATORY AND FAUCET. CONNECT TO EXISTING UTILITIES AS REQUIRED.
- P22 PROVIDE SINK AND FAUCET. CONNECT TO EXISTING UTILITIES AS REQUIRED.
- P23 PROVIDE MOP BASIN. CONNECT TO EXISTING UTILITIES AS REQUIRED.

**GENERAL PLUMBING NOTES:**

1. PRIOR TO BID, P.C. AND G.C. SHALL VERIFY SANITARY SEWER SYSTEM LOCATION, ROUTING, PITCHES, INVERTS, SIZES AND TIE-IN POINT. ALL SEWER SYSTEM INFORMATION SHALL BE COORDINATED WITH ALDI, INC. REPRESENTATIVE AT TIME OF BID WALK-THROUGH. INFORM PLUMBING ENGINEER OF ANY AND ALL DISCREPANCIES FROM WORK SHOWN ON PLUMBING DRAWINGS PRIOR TO BID DATE.
2. ENSURE EXISTING GAS METER HAS CAPACITY OF 570 MBH TOTAL LOAD AND 10" W.C. MIN. AT GAS METER. PIPE SIZES BASED ON INTERNATIONAL FUEL GAS CODE, 0.5 INCH W.C. PRESSURE DROP AND 0.6 S.C.
3. ENSURE EXISTING MAIN GAS SHUT-OFF VALVE ON VERTICAL OFFSET TAGGED AND LABELED, 5'-0" AFF.
4. ALL GAS PIPING SHALL BE INSPECTED AND TESTED IN ACCORDANCE WITH THE REQUIREMENTS OF INTERNATIONAL FUEL GAS CODE SECTION 406.1.
5. CUT AND CAP ALL EXISTING GAS BRANCHES THAT WILL NO LONGER BE IN USE FOR THIS SYSTEM. COORDINATE ALL BRANCHES THAT ARE MOVED WITH G.C. AND ALDI REP PRIOR TO REMOVAL.
6. ALL WATER PIPING SHALL BE ROUTED AWAY FROM ELECTRICAL EQUIPMENT WHENEVER POSSIBLE. REFER TO P-501 GENERAL NOTES FOR ROUTING INFORMATION.
7. ALL ELEVATIONS ARE TAKEN FROM FINISHED FLOOR: 0'-0"

Issued:	Date:
A Issued for Permit/Bid	2/27/2017
B	
C	
D	
E	
Revisions:	Date:
1	
2	
3	
4	
5	
6	
7	
8	
9	

Seal	Seal
PROJECT ARCHITECT/ENGINEER	DATE
PROJECT LEAD	DATE
PROJECT DESIGNER	DATE

Copyright © 2017  
 APD Engineering & Architecture, PLLC  
 Drawing Alteration  
 It is a violation of law for any person, unless acting under the direction of licensed Architect, Professional Engineer, Landscape Architect, or Land Surveyor to alter any item on this document in any way. Any licensee who alters this document is required by law to affix his or her seal and to add the notation "Altered By" followed by his or her signature and the specific description of the alteration or revision.  
**DO NOT SCALE PLANS**  
 Copying, Printing, Software and other processes required to produce these prints can stretch or shrink the actual paper or layout. Therefore, scaling of this drawing may be inaccurate. Contact APD E&A with any need for additional dimensions or clarifications.

**APD ENGINEERING & ARCHITECTURE, PLLC**  
 615 Fishers Run  
 Victor, NY 14564  
 585.742.2222  
 585.924.4914 fax  
 www.apd.com

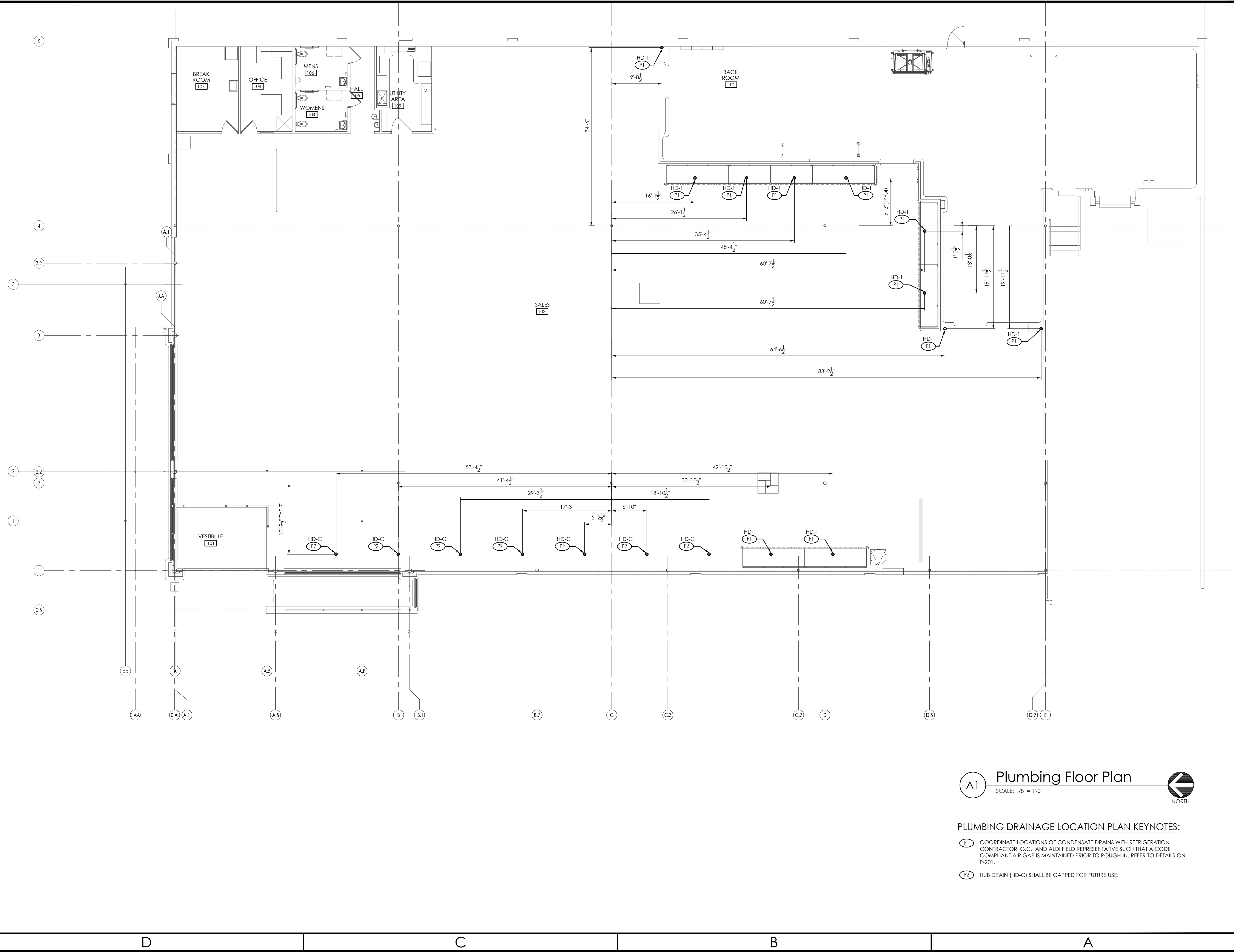
**Picard Engineering**  
 Engineering, Consulting and Design  
 P.O. Box 23791 Tel: 585.292.6060  
 3159 Winton Rd South, Suite 207 Fax: 585.292.6064  
 Rochester, New York 14602 Email: info@picardeng.com

**ALDI Inc.**  
 300 State Route #281  
 Tully, NY 13159  
 (315) 696-6205  
 (315) 696-2426 fax

ALDI Inc. Store #: 76  
 Henrietta, NY  
 611 Jefferson Road  
 Henrietta, NY 14623  
 Monroe County  
 Project Name & Location:

<b>Plumbing Floor Plan</b> Drawing Name:	
Date: 07/25/16	Project No. 16-0304A
Type: V1.07	
Drawn By: BJL	P-101
Scale: As Noted	Drawing No.

PLOTTED: 2/27/2017 1:49 PM



**A1 Plumbing Floor Plan**  
SCALE: 1/8" = 1'-0"

- PLUMBING DRAINAGE LOCATION PLAN KEYNOTES:**
- (P1) COORDINATE LOCATIONS OF CONDENSATE DRAINS WITH REFRIGERATION CONTRACTOR, G.C., AND ALDI FIELD REPRESENTATIVE SUCH THAT A CODE COMPLIANT AIR GAP IS MAINTAINED PRIOR TO ROUGH-IN. REFER TO DETAILS ON P-201.
  - (P2) HUB DRAIN (HD-C) SHALL BE CAPPED FOR FUTURE USE.

Issued:	Date:
A Issued for Permit/Bid	2/27/2017
B	
C	
D	
E	
Revisions:	Date:
1	
2	
3	
4	
5	
6	
7	
8	
9	

Seal	Seal
PROJECT ARCHITECT/ENGINEER	DATE
PROJECT LEAD	DATE
PROJECT DESIGNER	DATE

Copyright © 2017  
APD Engineering & Architecture, PLLC  
Drawing Alteration  
It is a violation of law for any person, unless acting under the direction of licensed Architect, Professional Engineer, Landscape Architect, or Land Surveyor to alter any item on this document in any way. Any licensee who offers this document is required by law to affix his or her seal and to add the notation "Altered By" followed by his or her signature and the specific description of the alteration or revision.  
**DO NOT SCALE PLANS**  
Copying, Printing, Software and other processes required to produce these prints can stretch or shrink the actual paper or layout. Therefore, scaling of this drawing may be inaccurate. Contact APD E&A with any need for additional dimensions or clarifications.

**APD ENGINEERING & ARCHITECTURE, PLLC**  
615 Fishers Run  
Victor, NY 14564  
585.742.2222  
585.924.4914 fax  
www.apd.com

**Picard Engineering**  
Engineering, Consulting and Design  
P.O. Box 23791 Tel: 585.292.6060  
3159 Winton Rd South, Suite 207 Fax: 585.292.6064  
Rochester, New York 14602 Email: info@picardeng.com

**ALDI Inc.**  
300 State Route #281  
Tully, NY 13159  
(315) 696-6425  
(315) 696-2426 fax

ALDI Inc. Store #: 76  
Henrietta, NY  
611 Jefferson Road  
Henrietta, NY 14623  
Monroe County  
Project Name & Location:

<b>Plumbing Drainage Location Plan</b>	
Drawing Name:	
Date: 07/25/16	Project No. 16-0304A
Type: V1.07	
Drawn By: BJL	P-102
Scale: As Noted	Drawing No.

## PLUMBING MATERIAL LIST

- NOTES:**
- ANY SUBSTITUTIONS TO THE SPECIFIED MATERIALS AND/OR EQUIPMENT MUST BE APPROVED BY OWNER BEFORE BIDDING AND ANY SUBSTITUTIONS SHALL BE STATED ON THE BID. IF NO SUBSTITUTIONS ARE NOTED ON THE BID, PROVIDED MATERIALS AND/OR EQUIPMENT SHALL BE FURNISHED EXACTLY AS SPECIFIED WITH NO EXCEPTIONS.
  - REFER TO SPECIFICATIONS FOR ADDITIONAL INFORMATION FOR ALL ABOVE EQUIPMENT/DEVICES LISTED ABOVE FOR COMPLETE INSTALLATION, MOUNTING AND CONNECTION REQUIREMENTS.
  - ALL FIXTURES, DEVICES AND MATERIAL SHALL COMPLY WITH THE SAFE DRINKING WATER ACT OF 2011.

FIXTURE	SYMBOL	DESCRIPTION
WATER CLOSET	WC-A	WATER CLOSET - AMERICAN STANDARD MADERA #3461.128 VITREOUS CHINA, FLOOR MOUNTED, TOP SPUD, ELONGATED BOWL, RIM 17 1/4" ABOVE FLOOR FOR WHEELCHAIR USE, BOLT CAPS, SLOAN SOLAR POWERED, SENSOR OPERATED FLUSH VALVE WITH BATTERY BACK-UP SOLIS 8111-1.28 WITH 1.28 GPF, 3/4" ANGLE SUPPLY AND STOP AND 1/2" TOP SPUD CONNECTION AND SHALL BE CHROME PLATED, ADA COMPLIANT, VACUUM BREAKER, FACTORY SUPPLIED BATTERIES FOR BACK-UP ONLY, LOW BATTERY INDICATOR LIGHT, WALL AND SPUD FLANGES, WHITE HEAVY DUTY MOLDED SOLID PLASTIC ELONGATED SEAT WITH OPEN FRONT - BEMIS 1955.
URINAL	UR-A	URINAL - AMERICAN STANDARD "WASHBROOK" 6590.001 EC, FLUSH VALVE TYPE, 0.5 GPF WHITE VITREOUS CHINA, WASHOUT, 3/4" TOP SPUD, 2" OUTLET, ELONGATED - 14" RIM, FURNISH CARRIER WITH TOP AND BOTTOM BEARING PLATES, BOLT SECURELY TO FLOOR, SLOAN SOLAR POWERED, SENSOR OPERATED FLUSH VALVE WITH BATTERY BACK-UP SOLIS 8186-0.5 WITH 0.5 GPF, 3/4" INLET, SHALL BE CHROME PLATED, WITH SCREWDRIVER BACK CHECK ANGLE STOP VALVE, ADA COMPLIANT, VACUUM BREAKER, FACTORY SUPPLIED BATTERIES FOR BACK-UP ONLY, LOW BATTERY INDICATOR LIGHT, WALL AND SPUD FLANGES, MOUNT 15 1/2" AFF TO RIM AND VALVE HANDLE AT 44" AFF MAXIMUM. PROVIDE REMOVABLE STAINLESS STEEL STRAINER AMERICAN STANDARD D470680070A.
LAVATORY	LAV-A	LAVATORY - AMERICAN STANDARD "NEW LUCERNE" 0356.421, 20"x18" VITREOUS CHINA, WALL HUNG WITH SINGLE CENTER HOLE FOR FAUCET, AMERICAN STANDARD 7723.018 OFFSET TAILPIECE ASSEMBLY WITH GRID DRAIN, SUPPLY WITH ANGLE STOPS, ADJ. CHROME PLATED CAST BRASS TRAP WITH CO. WADE W520-D FLOOR MOUNTED CARRIER WITH CONCEALED ARMS ONLY, WALL BRACKET WILL NOT BE ACCEPTABLE. INSTALL TAILPIECE, TRAP, TRAP-ARM AND SUPPLIES PARALLEL AS TIGHT AS POSSIBLE TO WALL FOR WHEELCHAIR USE. INSULATE AS PER SPEC, PROVIDE WITH SLOAN MODEL SF-2450 ELECTRONIC SENSOR ACTIVATED HAND WASHING FAUCET WITH BATTERY POWERED INFRARED SENSOR WITH ADJUSTABLE RANGE, 4" CENTERSE, SINGLE TEMPERED WATER SUPPLY CONNECTION AND 2.2 GPM VANDAL RESISTANT AERATOR, AND ADA COMPLIANT.
SINK	SK-A	SINK - JUST SL-ADA-1921-A-GR, 14"x18"x6 1/2" (MAX) SINGLE COMPARTMENT, 20GA., TYPE 304 (18-8) STAINLESS STEEL SELF-RIMMING, THREE FAUCET HOLES, 3/8" CUP STRAINER DRAIN AND OFFSET TAILPIECE, ASSEMBLY AMERICAN STANDARD 6409.170 LEDGE TYPE FAUCET WITH 8" SPOUT, AERATOR & WRISTBLADE HANDLES, 17 GA. C.P. BRASS CONTINUOUS WASTE, ADJ. CHROME PLATED CAST BRASS TRAP, INSULATE AS PER SPEC.
ANTI-FREEZE WALL HYDRANT	WH-1	ANTI-FREEZE WALL HYDRANT - WOODFORD B65 WITH VACUUM BREAKER, FREEZELESS, AUTOMATIC DRAINING, FLUSH MOUNT WITH WALL BOX AND LOCKING COVER, FURNISH WITH (2) EXTRA KEYS.
HUB DRAIN	HD-1	HUB DRAIN - OPEN-ENDED CAST IRON HUB DRAIN PIPE, FULL PIPE SIZE, WITH DEEP SEAL TRAP, PROVIDE WITH TRAP GUARD INSERT, INSTALL DRAINS OUT OF LIFT TRUCK TRAFFIC WAY.
HUB DRAIN CAP (FOR FUTURE DRAINS)	HD-C	CLEANOUT - ZURN CO-2401-VP GENERAL PURPOSE CLEANOUT WITH THREADED ADJUSTABLE HOUSING, TAPERED NICKEL BRONZE COVER, MINIMUM SIZE SHALL BE 3" AND HAVE A 4" MAXIMUM. ADJUST LOCATION TO BE READILY ACCESSIBLE AND OUTSIDE OF THE PATHWAY TO DOORS.
ROOF DRAIN	RD-1	ROOF DRAIN - WADE 3000-SO SERIES, CAST IRON ROOF WITH WIDE FLANGE BODY, FLASHING RING, CAST IRON MUSHROOM DOME, OUTLET SIZE AS NOTED ON P101 WITH TY SEAL SIDE OUTLET.
FLOOR CLEANOUT CONCRETE FLOORS	DPCO	FLOOR CLEANOUT - WADE 4000-X CAST IRON CLEANOUT WITH THREADED ADJUSTABLE HOUSING, TAPERED BRASS PLUG AND ROUND SCORIATED CAST IRON HEAVY DUTY TOP MINIMUM SIZE SHALL BE LINE SIZE UP TO 4" MAXIMUM. ADJUST LOCATION TO BE READILY ACCESSIBLE AND OUTSIDE OF THE PATHWAY TO DOORS, ANSI LOAD CLASS: SPECIAL DUTY (OVER 10,000 LBS).
FLOOR CLEANOUT WITH TILE FLOORS	DPCO	FLOOR CLEANOUT - WADE 4000-1 CAST IRON CLEANOUT WITH THREADED ADJUSTABLE HOUSING, TAPERED BRASS PLUG AND ROUND SCORIATED NICKEL BRONZE TOP MINIMUM SIZE SHALL BE LINE SIZE UP TO 4" MAXIMUM. ADJUST LOCATION TO BE READILY ACCESSIBLE AND OUTSIDE OF THE PATHWAY TO DOORS.
WALL CLEANOUT	WPCO	WADE 8560 W/ 8304-VP ROUND STAINLESS STEEL ACCESS COVER
ROOF HYDRANT	RH-1	WOODFORD SRH-MS - HOSE CONNECTION BACKFLOW PREVENTER, MODEL 50H WITH 3/4" HOSE CONNECTION, ASSE 1052 LISTED, FIELD TESTABLE DUAL CHECK HOLDS AGAINST 125 PSI BACKFLOW PRESSURE, 3/4" NPT FEMALE INLET CONNECTION, 1/2" U.S. MADE GALVANIZED PIPE, MAXIMUM WORKING PRESSURE: 100 PSI, MAXIMUM TEMPERATURE 120°F.
CONDENSATE PUMP SYSTEM	SP-1	SIMPLEX SUMP PUMP SYSTEM - LIBERTY SUBMERSIBLE SINGLE STAGE PUMP MODEL LE51 RATED AT 1/2 HP, 115V, 60 HZ., 1 PHASE, 12 FLA. AT 1725 RPM, UNIT SHALL PRODUCE 40 GPM AT 22 FEET OF DYNAMIC HEAD, PUMP SHALL INCLUDE 2" DISCHARGE CONNECTION, NEMA-4X INDOOR DUPLEX CONTROL PANEL WITH 2 FLOAT SWITCHES AND HIGH WATER ALARM AND WITH INTEGRAL OVERLOAD PROTECTION, STAINLESS STEEL GUIDE RAIL SYSTEM WITH QUICK DISCONNECTS AND PIPING TO INCLUDE AN INTERNAL BALL CHECK VALVE, DISCHARGE PIPING TO BE SCHEDULE 80 PVC AND FURNISHED WITH A PVC SHUT-OFF BALL VALVE. PUMP SHALL BE OF CLASS 25 CAST IRON CONSTRUCTION WITH OIL FILLED MOTOR HOUSING, BUNA-N MOLDED DOUBLE LIP SEALS AND O-RINGS, CAST STAINLESS STEEL IMPELLER AND 440 STAINLESS STEEL ROTARY CUTTER AND PLATE WITH (4) BLADES, 25 FT. 3-PHASE SECOW MULTICONDUCTOR CORD, PUMP EXTERIOR CASTING SHALL BE PAINTED AND PROTECTED WITH POWDER COAT PAINT, ALARM SHALL BE LIBERTY ALM-2, COORDINATE ALARM MOUNTING LOCATION WITH G.C.  BASIN SPEC: AK INDUSTRIES MODEL AKP301 60 BASIN, 30" DIAMETER X 36" DEEP BASIN  BASIN COVER SPEC: AK INDUSTRIES MODEL AKP70370 SERIES, PC SHALL WIDEN A SINGLE 2" OUTLET ON COVER TO ACCOMMODATE THE 3" VENT REQUIRED BY PUMP.
MOP BASIN	MB-A	MOP BASIN - FIAT MSB-3624, 36"x24"x10", MOLDED STONE INTEGRAL 3" DRAIN AND STAINLESS STEEL STRAINER, AMERICAN STANDARD 8344.112 FAUCET WITH VACUUM BREAKER, COLOR INDEX, INTEGRAL STOPS, CHROME FINISH AND 6' HOSE, DEEP SEAL TRAP.

## FIXTURE CONNECTION SCHEDULE

DESCRIPTION & SYMBOL	CONNECTION SIZE				
	HOT	TEMPERED	COLD	WASTE	VENT
WATER CLOSET (WC-A)	---	---	1"	3"	2"
LAVATORY (LAV-A)	---	3/8"	---	1-1/2"	1-1/2"
SINK (SK-A)	---	3/8"	3/8"	1-1/2"	1-1/2"
ANTI-FREEZE WALL HYDRANT (WH-1)	---	---	3/4"	---	---
URINAL (UR-A)	---	---	3/4"	2"	2"
MOP BASIN (MB-A)	1/2"	---	1/2"	3"	2"

\*1/2" ROUGH-IN, 3/8" SUPPLY

## GENERAL NOTES:

- IF REQUIRED BY LOCAL CODE USE CAST IRON PIPE IN LIEU OF PVC PIPE FOR SANITARY.
- CAULK ALL CLEANOUT GRATINGS FLUSH TO AVOID TRAPPING OF DIRT.
- ALL PIPING AT WALLS SHALL BE WITHIN CURB DEPTH.

## PLUMBING LEGEND

SYMBOL	ABBREV	ITEM
---	G	NATURAL GAS
---	V	VENT
---	SAN	SAN. WASTE
---	ST	STORM DRAIN
---	CW	DOMESTIC WATER
⊗		CONNECT TO EXISTING
⊗		DISCONNECT FROM EXISTING
⊕		TEE
⊕		ELBOW - UP
⊕		ELBOW DOWN
⊕		ELBOW
⊕		P-TRAP
⊕		ROOF DRAIN

Issued:	Date:
A Issued for Permit/Bid	2/27/2017
B	
C	
D	
E	

Revisions:	Date:
1	
2	
3	
4	
5	
6	
7	
8	
9	

Copyright © 2017  
APD Engineering & Architecture, PLLC  
Drawing Alteration  
It is a violation of law for any person, unless acting under the direction of licensed Architect, Professional Engineer, Landscape Architect, or Land Surveyor to alter any item on this document in any way. Any licensee who alters this document is required by law to affix his or her seal and to add the notation "Altered By" followed by his or her signature and the specific description of the alteration or revision.

**DO NOT SCALE PLANS**  
Copying, Printing, Software and other processes required to produce these prints can stretch or shrink the actual paper or layout. Therefore, scaling of this drawing may be inaccurate. Contact APD E&A with any need for additional dimensions or clarifications.

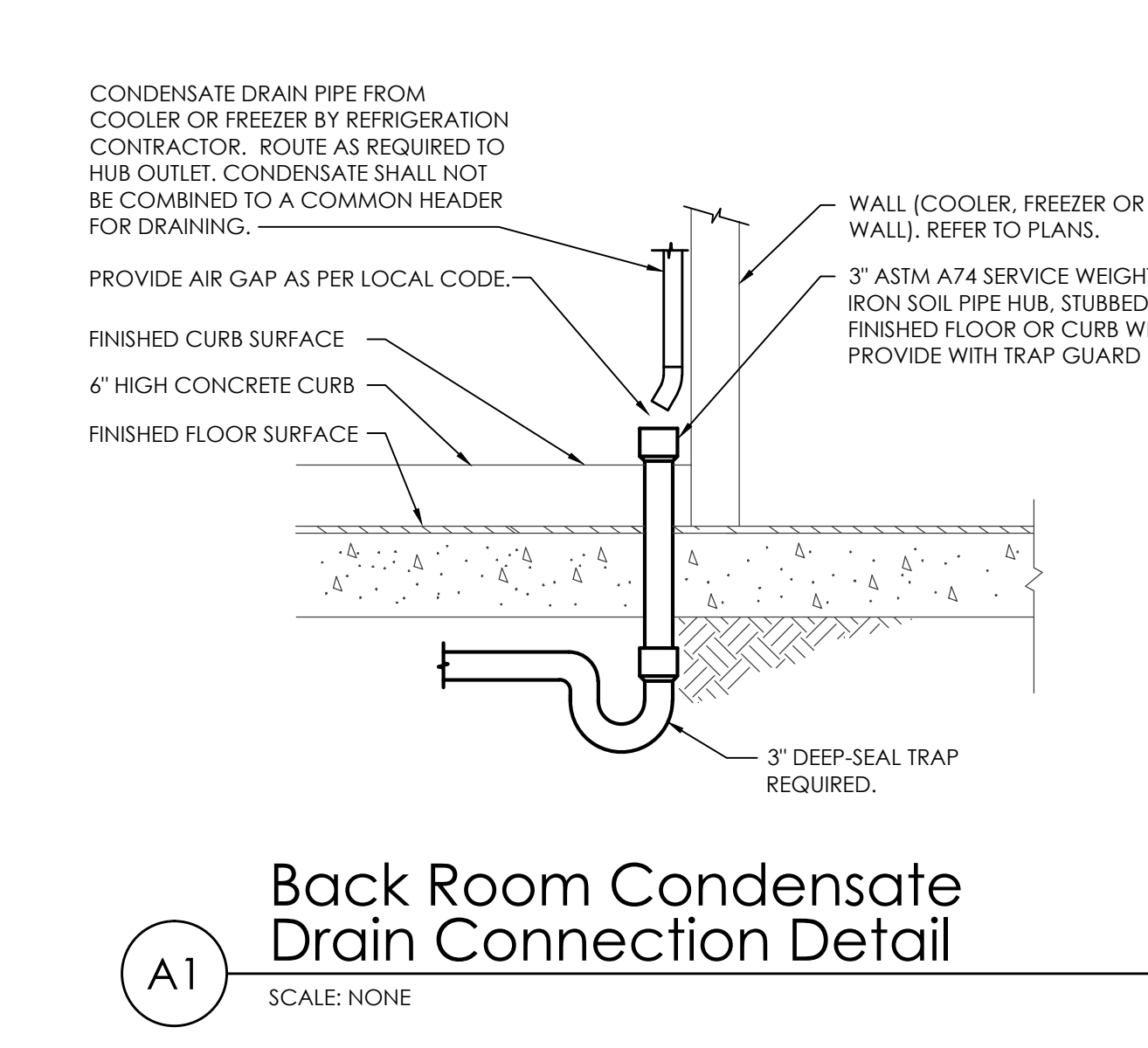
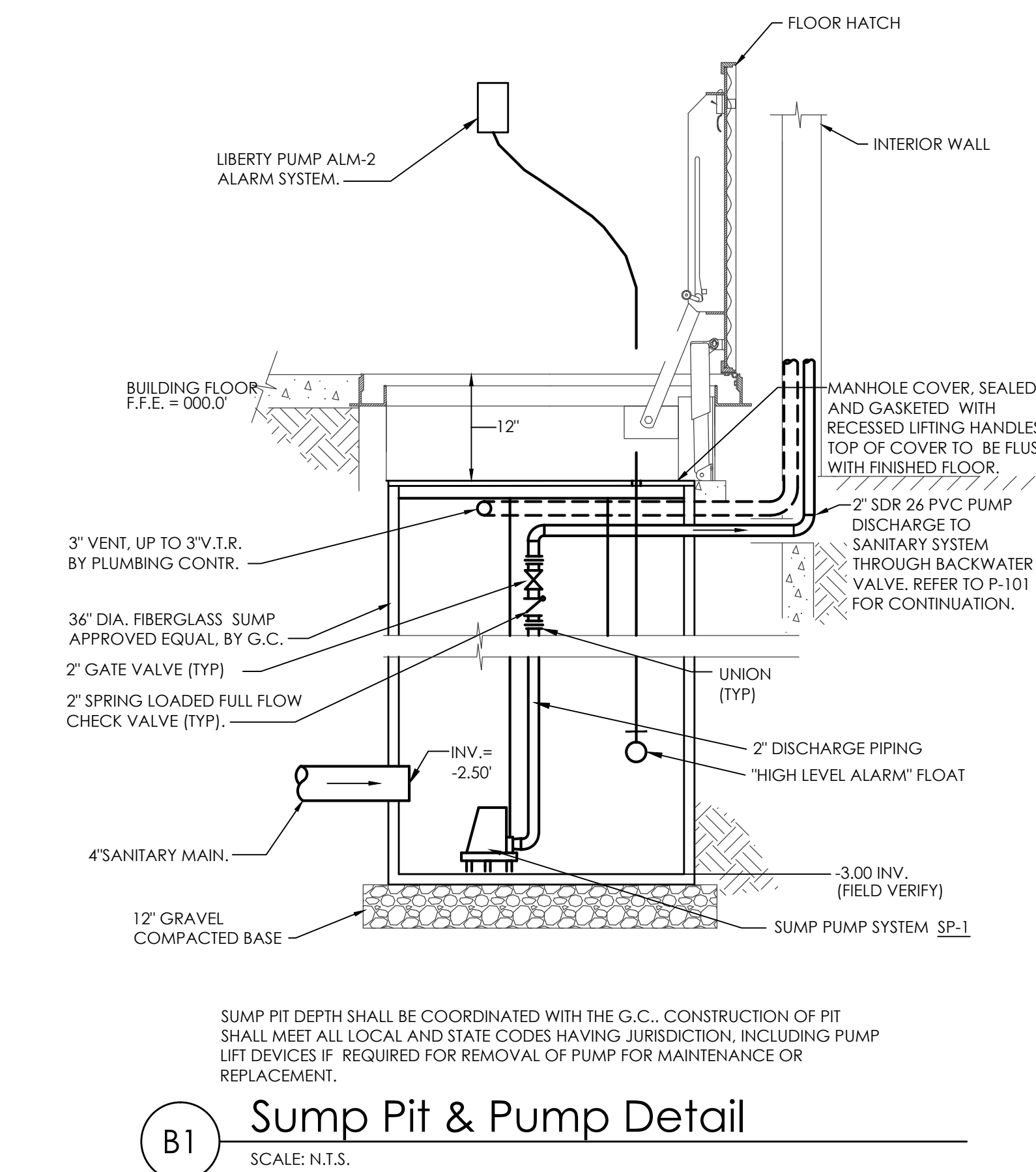
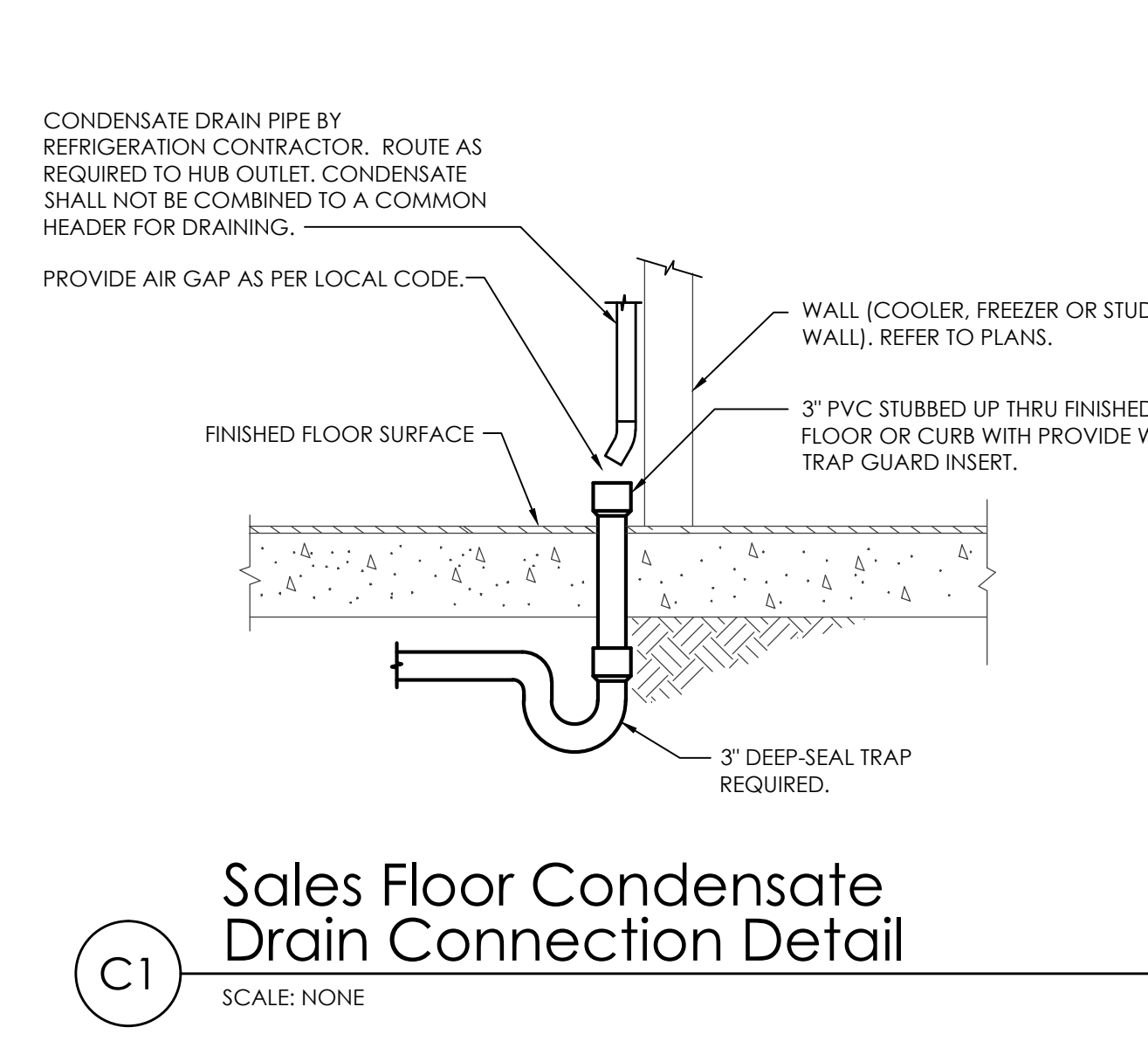
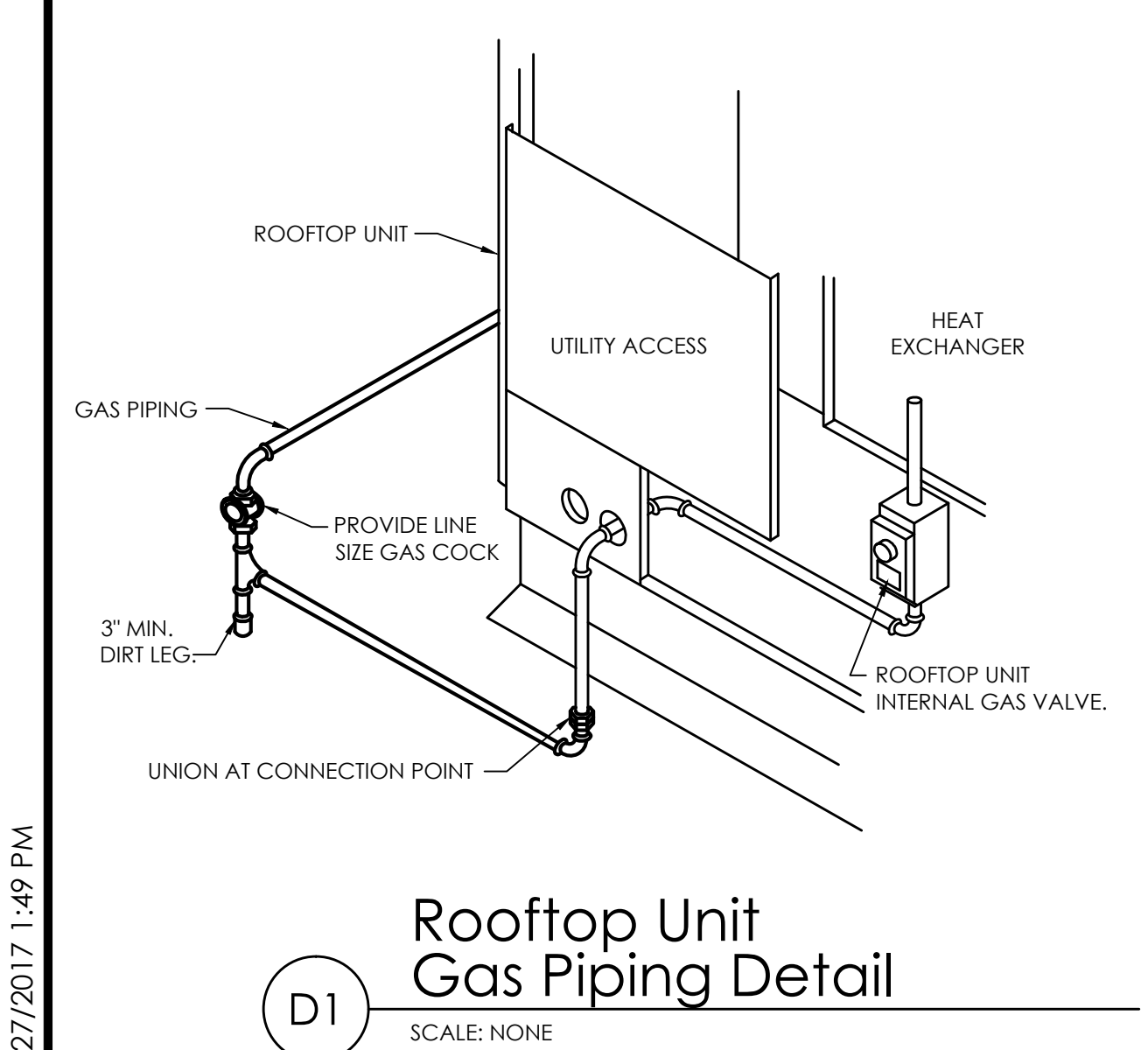
**APD ENGINEERING & ARCHITECTURE, PLLC**  
615 Fishers Run  
Victor, NY 14564  
585.742.2222  
585.924.4914 fax  
www.apd1.com

**Picard Engineering**  
Engineering, Consulting and Design  
P.O. Box 23791  
3150 Winton Rd South, Suite 207  
Rochester, New York 14602  
Tel: 585.292.6060  
Fax: 585.292.6064  
Email: info@picardeng.com

**ALDI Inc.**  
300 State Route #281  
Tully, NY 13159  
(315) 696-2625  
(315) 696-2426 fax

**ALDI Inc. Store #: 76**  
**Henrietta, NY**  
611 Jefferson Road  
Henrietta, NY 14623  
Monroe County  
Project Name & Location:

**Plumbing Isometric, Details & Schedule**  
Drawing Name:  
Date: 07/25/16  
Type: V1.07  
Drawn By: BJL  
Scale: As Noted  
Project No. 16-0304A  
P-201  
Drawing No.



PLOTTED: 2/27/2017 1:49 PM