



ARO22 ALIGNMENT LIFTS

ALIGNMENT-READY RUNWAY LIFTS **22,000 lbs. CAPACITY**

NEW HIGH-CAPACITY OPEN FRONT DESIGN / ENGINEERED FOR CARS and COMMERCIAL VEHICLES

Productivity and profitability align with the Rotary Lift.

Give your shop more flexible options for repairs. Standard with exclusive, unmatched features and productivity enhancing accessories, Rotary's versatile ARO22 is compatible with all available Rotary wheel alignment systems.

SMARTFILL™ INTEGRATED AIR INFLATION SYSTEM

Optional SmartFILL™ system allows tires to be set to the desired psi while the technician performs other work. Dual tire filling enables separate pressure settings for front and rear axle tires.



SHOWN:
ARO22N000

Shown, SMARTFILL™ air inflation system controls

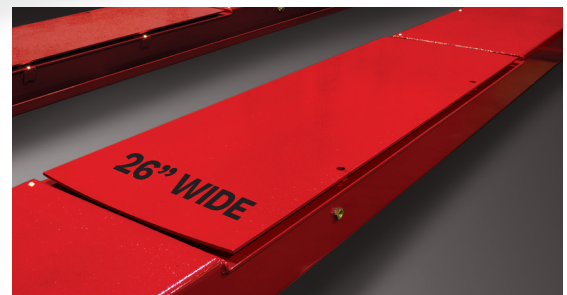


ROBUST OPEN FRONT DESIGN

The patented articulating roller system balances roller loads extending lift life. Oversized columns make this the most rigid system available. 5/8" cables utilize US premium wire stands with internal lubrication. Large cast sheaves extend cable life.

AIR LOCKING REAR STEER PLATES

Air locking rear steers improve the quality and speed of the alignment process. Plates are flush with 26" wide runways. Operated from the power column.



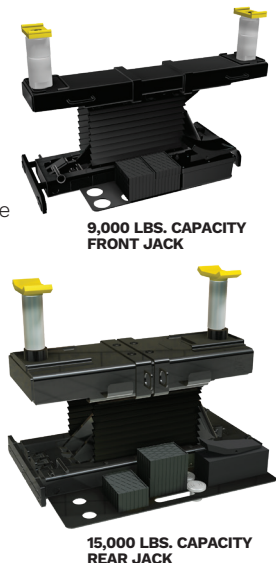
AIR OPERATED ROLLING JACKS

A 9,000 lbs. capacity front jack and a low-profile 15,000 lbs. capacity rear jack come standard. Accommodate the widest vehicle range (Class 1 through Class 5) in this lift segment.

Standard with frame-engaging adapters, extensions and polymer pads

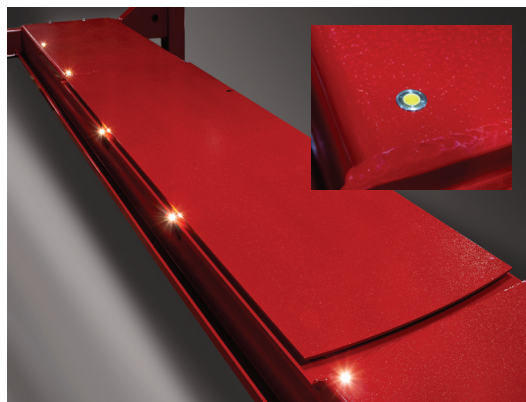
When fully lowered, rolling jacks have a sub-3" height above runways creating a low drive-over height for cars and trucks.*

*Measured height without adapters



9,000 LBS. CAPACITY FRONT JACK

15,000 LBS. CAPACITY REAR JACK



LED RUNWAY LIGHTING SYSTEM

Integrated into the runways, the adjustable lighting system illuminates the under vehicle workspace with the capability to adjust to the ambient lighting conditions. Dimmer controls enable Lumen adjustment ideal for every application.

Recessed, adjustable runway pans allow 3-positions for two heavy duty stainless steel turning radius gauges included with lift.



Rotary ARO22 ALIGNMENT LIFTS

AVAILABLE IN TWO RUNWAY LENGTHS TO SERVICE A WIDE RANGE OF VEHICLE CHOICES

215" Standard runway length / S MODEL

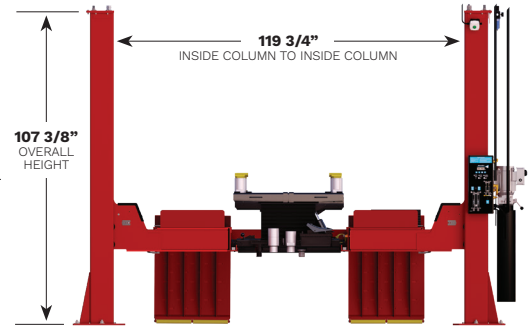
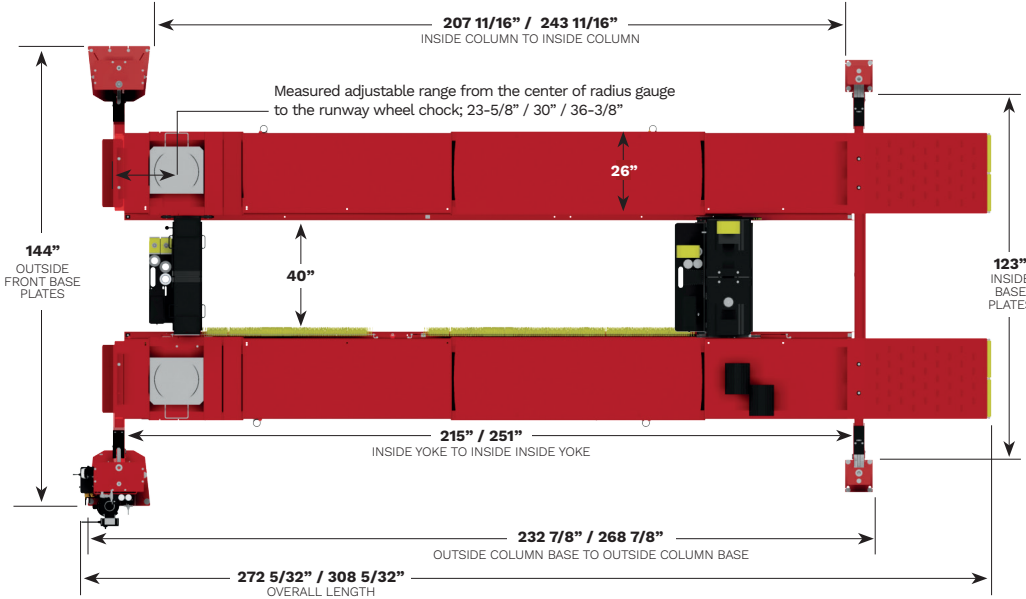
- 82" to 165" 4-wheel alignment wheelbase range
- 179" 2-wheel alignment wheelbase
- 194" general service wheelbase

251" Extended runway length / EL MODEL

- 82" to 165" 4-wheel alignment wheelbase range
- 215" 2-wheel alignment wheelbase
- 230" general service wheelbase

Lift Features:

- Intuitive, easy to use control console
 - durable lift functions from a single lifting point
- Dual function Sentinel Lock™ System
 - runways are always level
- Internal airlines
- Air filter / regulator / lubricator included
- ALI Gold Certified



OPTIONAL LIFT ACCESSORIES

Ramp Kits allow for drive-thru capability / Includes two ramps and hardware

MW-200 / MW-500 Air Operated Tire and Wheel Lifts
200 lbs. and 500 lbs. capacities / Includes air hose and air tool connection

SPOTLINE™ Laser Kit
Motion activated laser helps center vehicles in bays quickly and accurately

TECH LIGHT™ Line Light R
Rechargeable LED inspection hand lamp with top spot light

Oil Drain Pans include splash guard, drain valve and dust cap

Lock Light™ provides an instant green light visual confirmation when lift is lowered to its locks

Removable Work Steps with slots on sides of runways

MODEL ARO22
Lift Colors are Blue and Red **4 POST LIFT**

S MODEL EL MODEL	ARO22N000 ARO22N001	Length Between Columns	207 11/16" S Model 243 11/16" EL Model
Lift Capacity	22,000 lbs.	Ramp Length	41"
Rise*	74"	Runway Platform Width	26"
Width Overall BASEPLATE TO BASEPLATE	147 7/8"	Minimum Runway Height	8 5/16"
Length Overall WITH RAMPS	272 5/32" S Model 308 5/32" EL Model	Width Between Runways	40"
		Width Between Columns	119 3/4"

Overall Height	107 3/8"
Min. Bay Size	15' x 26' or 28'
Motor / Voltage	208 - 230V
Time of Full Rise	105 seconds

*Rise measures floor to top of runway at full stroke.
Lift Colors are Blue and Red

Rotary GREATER SHOP PRODUCTIVITY / HIGHER PROFITS

Rotary TOWER-FREE Wheel Alignment Systems

Mobile, easy-to-use and do not require a designated bay or tower maximizing available workspace. Service cars to the largest commercial vehicles.

Learn more about our wheel service equipment at rotarywheelservice.com.

ROTARY WHEEL SERVICE EQUIPMENT now carries a 3 year warranty. See website for details.



Rotary Lift

2700 Lanier Drive / Madison, IN 47250, USA

rotarylift.com



Lit# Rotary ARO22 Cutsheet.2023.05

©2023 VEHICLE SERVICE GROUP®, Printed in U.S.A., All Rights Reserved. Unless otherwise indicated, ROTARY, VEHICLE SERVICE GROUP®, DOVER and all other trademarks are property of Dover Corporation and its affiliates.

Sales:
800.445.5438
insidesales@vsgdover.com

Tech. Support:
800.445.5438
technicalsupport@rotarylift.com

Government Sales: 800.445.5438 X5655

For additional information: rotarylift.com/Government-Purchasing-Assistance/

Product specifications, part numbers, images and component descriptions are subject to change without notice or liability.