



CENTURY DYNAMICS, LLC

A Defense Company!



CENTURY DYNAMICS, LLC

WWW.CENTURYDYNAMICS.COM | WWW.CENTURY-DYNAMICS.COM

4500 Mercantile Plaza, Suite 300 Fort Worth, TX, 76137, USA

sales@century-dyanamics.com | Tel: 817-612-1500 | Fax: 817-887-1776

DUNS# 079785337 | CAGE Code 7D4P2

BBB A Rating | ITAR Registered | TRACE Certified

CENTURY DYNAMICS, LLC

A DEFENSE COMPANY!

Century Dynamics, LLC is a manufacturer and distributor for a wide variety of Military, aviators, combat gear, LE, and special forces protective gear, communication, energy equipment, and military grade firearms.

We are a U.S. based ITAR registered manufacturer, a registered US defense contractor.

We are located in the heart of Fort Worth, TX, USA, near Dallas/Fort Worth International Airport.

Century Dynamics specializes in manufacturing firearms and a wide variety of Military and LE protective gear & fire-Retardant Clothing, Boots, Ballistic vests, and helmets. Non-ballistic helmets, flyer's boots, jackets, gloves, aviation helmets, and Oxygen masks, military grade rechargeable batteries, military & special forces headsets and communication equipment, semi-automatic rifles, sniper rifles, shoguns, and handguns.

We are proud to be a distributing partner to several reputable manufacturers in the aviation and defense fields. From weaponized and commercial helicopters to Night Vision systems, Thermal Imaging systems and sights, ammunition, firearms, and firearms sights.



CENTURY DYNAMICS, LLC

WWW.CENTURYDYNAMICS.COM | WWW.CENTURY-DYNAMICS.COM
4500 Mercantile Plaza, Suite 300 Fort Worth, TX, 76137, USA
sales@century-dyanamics.com | Tel: 817-612-1500 | Fax: 817-887-1776
DUNS# 079785337 | CAGE Code 7D4P2
BBB A Rating | ITAR Registered | TRACE Certified



Headsets & Communication Equipment



CENTURY DYNAMICS, LLC

WWW.CENTURYDYNAMICS.COM | WWW.CENTURY-DYNAMICS.COM
4500 Mercantile Plaza, Suite 300 Fort Worth, TX, 76137, USA
sales@century-dyanamics.com | Tel: 817-612-1500 | Fax: 817-887-1776
DUNS# 079785337 | CAGE Code 7D4P2
BBB A Rating | ITAR Registered | TRACE Certified

1. Military bone conduction tactical headset CDE-570



- **Bone conduction speaker and microphone**

1. Transfer sound signals to the brain through the temporal bone on both sides of cheeks, effectively reduced background noise when talking.
2. Solved the communication problems in high noise environment

- **Do not rely on eardrum:**

1. Let your ears breathe freely, protect your eardrum.
2. Be alert on the surrounding environment

- **Apply to all kinds of:**

1. Adjust the firmness of the headset according to head size.
2. More comfortable and strong

- **Optional anti-noise earplugs:**

1. Can be equipped with anti-noise earplugs to listen very clear voice under high noisy environment

- **Super waterproof resistant:**

1. Suitable for all kinds of complicated application environment

- **Suitable application:**

1. Swat,
2. Riot Police,
3. Sniper,
4. Army,
5. Chemical Defense Corps, etc.



CENTURY DYNAMICS, LLC

WWW.CENTURYDYNAMICS.COM | WWW.CENTURY-DYNAMICS.COM
4500 Mercantile Plaza, Suite 300 Fort Worth, TX, 76137, USA
sales@century-dyanamics.com | Tel: 817-612-1500 | Fax: 817-887-1776
DUNS# 079785337 | CAGE Code 7D4P2
BBB A Rating | ITAR Registered | TRACE Certified

2. Fire rescue skull microphone helmet headset CDE-129



■ Gas mask best partner!

1. Bone conduction technology core adopted, deliver clear sound, and let ears breathe
2. Sound is transmitted by vibrating bones keeping ambient noise away

■ Bone conduction microphone:

1. Pick up clear voice in noisy environment
2. Unique shoulder strap design: can be embedded inside the helmet, suitable to work with helmet and gas masks

■ Light-weight speaker:

1. Sound localization, accurate and clear, seamless communication.

■ Environmental PU cable:

1. Reinforced with Kevlar, Sturdy and tensile, does not fear the cold, heat and severe environment

■ Big round IP66 PTT:

1. Large surface button easy to use.
2. Keying is possible even with gloves, under clothing or using the elbow, even by only pressing the edge

■ Fast connector between conduction parts and PTT

1. This fast connection function enables user quick response to any emergency event

■ Suitable application:

1. Firefighting, rescue, mining, chemical engineering and other special occasions



CENTURY DYNAMICS, LLC

WWW.CENTURYDYNAMICS.COM | WWW.CENTURY-DYNAMICS.COM
4500 Mercantile Plaza, Suite 300 Fort Worth, TX, 76137, USA
sales@century-dynamics.com | Tel: 817-612-1500 | Fax: 817-887-1776
DUNS# 079785337 | CAGE Code 7D4P2
BBB A Rating | ITAR Registered | TRACE Certified

3. CDE-M003 Military handset H-189/GR

IP68 Water and Dust Resistant

▪ **Military Standard made**

1. CDE-M003 Series Handset is designed and built according to military standard STD-MIL-810
2. Its modular construction is based on a rugged housing and provides the necessary flexibility to fulfill numerous requirements
3. The specifications of each module ensure the handset complying with the most stringent standard on operation reliability and Electromagnetic Compatibility
4. The low profile of earpiece ensures the handsets can be used in conjunction with a protective helmet
5. A wide range of microphone and earphone options are available



CENTURY DYNAMICS, LLC

WWW.CENTURYDYNAMICS.COM | WWW.CENTURY-DYNAMICS.COM
4500 Mercantile Plaza, Suite 300 Fort Worth, TX, 76137, USA
sales@century-dyanamics.com | Tel: 817-612-1500 | Fax: 817-887-1776
DUNS# 079785337 | CAGE Code 7D4P2
BBB A Rating | ITAR Registered | TRACE Certified

4. Military noise cancelling dynamic handset CDE-M004 H-250/U



- **The PTE-M004**

1. is a lightweight noise-canceling dynamic handset, microphone and speaker specifications are optional. Water and dust resistant can be made to be IP68
2. The rugged construction is designed and manufactured according to U.S. Military Specifications MIL-PRF-49078

- **Application**

1. Suitable to use with military handheld radios and man-pack radio equipment such as AN/PRC-70 and AN/PRC-77
2. *Can be interchangeable with H-250/U and H-189/GR handsets*



CENTURY DYNAMICS, LLC

WWW.CENTURYDYNAMICS.COM | WWW.CENTURY-DYNAMICS.COM
4500 Mercantile Plaza, Suite 300 Fort Worth, TX, 76137, USA
sales@century-dyanamics.com | Tel: 817-612-1500 | Fax: 817-887-1776
DUNS# 079785337 | CAGE Code 7D4P2
BBB A Rating | ITAR Registered | TRACE Certified

5. CDE-777 Military headset



The CDE-777 headset is designed and made according to military standard MIL-STD-810, can be used in all kinds of weather

- **Speakers inside big earmuffs**
 1. Can protect eardrum in high noise environment, and insure users can hear clear voice
- **Microphone**
 1. Noise-canceling boom microphone, the flexible-mount metal frame can be 360 degrees, and the structure allows users freely adjust the microphone to suitable point
- **Cables are comply with the US military standards of MIL-STD-810**
 1. **PTT switch** Double pole, double throw toggle switch for radio and intercom communication
 2. High-noise headset includes boom microphone and quick disconnected microphone download, is
 3. available in single and dual radio configurations, and is a replacement of AT H-161F/GR
 4. Reliable communications designed to integrate with your day to day activities
- **Suitable users:**
 1. Infantry and Transport Troops in HF noise environment, and other military users, etc.



CENTURY DYNAMICS, LLC

WWW.CENTURYDYNAMICS.COM | WWW.CENTURY-DYNAMICS.COM
 4500 Mercantile Plaza, Suite 300 Fort Worth, TX, 76137, USA
 sales@century-dyanamics.com | Tel: 817-612-1500 | Fax: 817-887-1776
 DUNS# 079785337 | CAGE Code 7D4P2
 BBB A Rating | ITAR Registered | TRACE Certified

6. CDE-787 military headset



■ Headset Provides

1. Hearing protection with noise reduction rating
2. Design according to military standard **MIL-STD-810**, can be used in all kinds of weather
3. The flexible-mount metal frame can be **360** degrees

■ Microphone

1. Noise cancelling boom microphone assembly allows precise adjustments that stay in place

■ PTT switch:

1. Can be hands-free monitoring, and can be easily controlled by gloved hands

■ *Cables and raw materials comply with the US military standards of MIL-STD-810*

1. High-noise headset includes boom microphone and quick disconnected microphone download,
2. Available in single and dual radio configurations
3. Reliable communications designed to integrate with your day to day activities



CENTURY DYNAMICS, LLC

7. Combat Vehicle Crewman Helmet headset DH-132 CDE-747



- **High frequency abate shell**
 1. Reduces the high noise rating, provides protection to the user's ears and bring comfortable feeling
- **Noise compensation microphone**
 1. can provide clear and reliable voice signal, and can be quickly located, easy to use
- **Earphone**
 1. Soft, wide, foam ear cushions and individually sprung headband wires of stainless sprung steel provide an even and consistent distribution of pressure around the ears for the best possible comfort
- **Suspension headset**
 1. Show you clear sound quality, high secrecy, and keep the external a quiet environment
 2. Cables and raw materials are complying with the US military standard of **MIL-STD 810**, can be a replacement of DH-132 helmet headset
- **Suitable users:**
 1. Armor forces and people in VHF noise environment, and other military use



CENTURY DYNAMICS, LLC

WWW.CENTURYDYNAMICS.COM | WWW.CENTURY-DYNAMICS.COM
4500 Mercantile Plaza, Suite 300 Fort Worth, TX, 76137, USA
sales@century-dyanamics.com | Tel: 817-612-1500 | Fax: 817-887-1776
DUNS# 079785337 | CAGE Code 7D4P2
BBB A Rating | ITAR Registered | TRACE Certified

8. Light-weight single-ear tactical headset CDE-M10, CDE-M10A

The **CDE-M10** headset is an extremely light-weight headband single ear headset.

Microphone and light weight smart earphone both are supported by a housing unit, and is mounted on a lightweight cloth belt



- **Microphone**

1. Noise-canceling and waterproof IP67 can be either electrets or dynamic type

- **PTT switch**

1. Big round PTT, two kinds for option: Concave and convex
2. Convenient operation and stable performance
3. All kinds of military connectors are available for option



CENTURY DYNAMICS, LLC

WWW.CENTURYDYNAMICS.COM | WWW.CENTURY-DYNAMICS.COM

4500 Mercantile Plaza, Suite 300 Fort Worth, TX, 76137, USA

sales@century-dyanamics.com | Tel: 817-612-1500 | Fax: 817-887-1776

DUNS# 079785337 | CAGE Code 7D4P2

BBB A Rating | ITAR Registered | TRACE Certified

9. Noise-canceling tactical headset CDE-M11



- **An excellent tactical headset**
 1. Specially under high-noise combat situations
- **The headset**
 1. Consists of a single earpiece with an adjustable noise-canceling boom microphone
- **Using three adjustable straps**
 1. Which is easy to fixate the headset on the user's head
- **Adjustable elastic straps**
 1. With Velcro for comfort wearing
- **Lower profile design**
 1. Allows wearing under helmet or head wear



CENTURY DYNAMICS, LLC

10. Ear bone conduction headset CDE-540



- **Ear bone headset**
 1. With medicinal grade silica gel and strong PU cable with Kevlar.
- **Has two kinds**
 1. of PTT switch: big convex PTT and concave PTT for choice
- **Comfortably**
 1. Wearing for long time and easy to use
- **Top Noise-canceling**
 1. Can work under varying environmental conditions.
- **Can work in half-open**
 1. or closed helmet, face cover or mask (police, fireman, army)
- **Can perfectly work**
 1. For Swat,
 2. Riot Police,
 3. Sniper,
 4. Anti-terrorist,
 5. Chemical Defense Corps, etc.



CENTURY DYNAMICS, LLC

WWW.CENTURYDYNAMICS.COM | WWW.CENTURY-DYNAMICS.COM
4500 Mercantile Plaza, Suite 300 Fort Worth, TX, 76137, USA
sales@century-dyanamics.com | Tel: 817-612-1500 | Fax: 817-887-1776
DUNS# 079785337 | CAGE Code 7D4P2
BBB A Rating | ITAR Registered | TRACE Certified

11. Noise-canceling tactical headset CDE-760



- **Head Band**
 1. Structure for comfortable wear
- **Hands Free**
 1. Headset provide reliable, clear, stable communication conditions for users
- **Environmental PU**
 1. Cable reinforced with Kevlar
- **Ideal for**
 1. Police Surveillance personnel and
 2. Sports enthusiasts such as motorcyclists



CENTURY DYNAMICS, LLC

12. Throat Microphone Headset CDE-796



- **With medicinal Grade**
 1. Acoustic tube; discreet and comfortable
- **Excellent intelligent capability,**
 1. Great noise cancellation capability.
- **Kevlar reinforced cable**
 1. Reliable and durable for use
- **Throat shock part**
 1. Adopts soft silicone and tape combination, bringing users long-time wearing comfortable
- **360 degrees rotatable clip,**
 1. Free user's hands can well match with tactical helmet, motorcycle helmet and gas mask and breathing masks
- **Suitable for**
 1. Public Safety,
 2. Special Forces,
 3. Anti-terrorism Commando,
 4. Paratroopers,
 5. Marines



CENTURY DYNAMICS, LLC

WWW.CENTURYDYNAMICS.COM | WWW.CENTURY-DYNAMICS.COM
4500 Mercantile Plaza, Suite 300 Fort Worth, TX, 76137, USA
sales@century-dyanamics.com | Tel: 817-612-1500 | Fax: 817-887-1776
DUNS# 079785337 | CAGE Code 7D4P2
BBB A Rating | ITAR Registered | TRACE Certified

13. Remote speaker microphone IP67 CDE-1315



- **IP67 Rated.**

1. Acceptable for fire-fighting Dep.,
2. Sea patrolman / woman,
3. army etc.

- **High quality Speaker**

1. and noise-canceling mic provide loud and clear sound

- **Environmental PU Cable**

1. reinforced with Kevlar, robust design
2. Sturdy plastic 360 rotating clip



CENTURY DYNAMICS, LLC

14. CDE-750G Aviation headband headset



- **High-attenuating shells**
 1. With optimized acoustic design and excellent space for the ears with best possible sound quality and comfort
- **Dynamic noise-canceling**
 1. Flexible boom microphone, provide clear voice
- **Big Round PTT,**
 1. Two kinds of option: concave and convex, 360 rotate 360 degree belt clip, convenient fixed position to facilitate users to focus on mission
- **Ear cups with acoustic**
 1. Noise reduction material and comfortable gel ear pads
 2. Kevlar reinforced cable - very durable
- **Suitable for VHF**
 1. Noisy environments like airport,
 2. Racing sports



CENTURY DYNAMICS, LLC

WWW.CENTURYDYNAMICS.COM | WWW.CENTURY-DYNAMICS.COM
4500 Mercantile Plaza, Suite 300 Fort Worth, TX, 76137, USA
sales@century-dynamics.com | Tel: 817-612-1500 | Fax: 817-887-1776
DUNS# 079785337 | CAGE Code 7D4P2
BBB A Rating | ITAR Registered | TRACE Certified

15. Super light noise cancelling headset with helicopter and industry 2 version CDE-769



- **High Performance Material**
 1. Extremely light, comfortable wearing for long time
- **Excellent Passive Anti-noise Effect**
 1. With flexible-operated steel bracket
- **Microphone**
 1. Ensures clear sound in wild environment
- **Weight:**
 1. 530g for headset only
- **Suitable for**
 1. Helicopters,
 2. fixed wings,
 3. Aircraft carrier,
 4. ATC, and
 5. Heliport.



CENTURY DYNAMICS, LLC



Aviation & Military Helmets



CENTURY DYNAMICS, LLC

WWW.CENTURYDYNAMICS.COM | WWW.CENTURY-DYNAMICS.COM
4500 Mercantile Plaza, Suite 300 Fort Worth, TX, 76137, USA
sales@century-dyanamics.com | Tel: 817-612-1500 | Fax: 817-887-1776
DUNS# 079785337 | CAGE Code 7D4P2
BBB A Rating | ITAR Registered | TRACE Certified

1. CARBON/ KEVLAR HGU-55/P WITH BUNGEE VISOR



Made in the USA

- **Three Helmet Shell Sizes:**

1. Medium (Up to 22.25"),
2. Large (22.25 to 24.75) and
3. XL (24.75" and Above)

- **Five Confer Comfort Liner® sizes:**

1. 1/2"
2. (S), 3/8"
3. (M), 5/16"
4. (L), 1/4"
5. (XL), 1/8"
6. (XXL)

- **Visor color options:**

1. Smoke, Yellow and Clear (Other options coming soon!)

- **NVG Lip Lights Available**

- **8-Step Paint Finishing Process-**

1. Custom colors at no extra charge!

- **Lightweight Crushable**

1. Ear Cups

- **Adjustable Heavy-Duty**

1. Leather Chin Strap
2. High-Strength Integrated Chin/Nape Strap Assembly

- **EPS Liner**

1. Meets MIL Spec Communications Included

- **Lightweight Dupont Kevlar®**

1. Highly Adjustable Comfort Fit



CENTURY DYNAMICS, LLC

WWW.CENTURYDYNAMICS.COM | WWW.CENTURY-DYNAMICS.COM

4500 Mercantile Plaza, Suite 300 Fort Worth, TX, 76137, USA

sales@century-dynamics.com | Tel: 817-612-1500 | Fax: 817-887-1776

DUNS# 079785337 | CAGE Code 7D4P2

BBB A Rating | ITAR Registered | TRACE Certified

2. DUAL VISOR ANVIS 6 (SPH-4 & SPH-5)



- **Lightweight Dupont Kevlar®**
 1. Carbon Fiber Visor Housing
- **Two Helmet Shell Sizes:**
 1. Regular (Up to 22.25" circumference),
 2. XL (22.25" and Above)
- **Optional Confer Foam Hush Kit**
- **8 Step Paint Finishing Process-**
 1. Custom colors at no extra charge!
- **Five Confer Comfort Liner® sizes:**

1. 1/2"	4. (L), 1/4"
2. (S), 3/8"	5. (XL), 1/8"
3. (M), 5/16"	6. (XXL)
- **Visor color options:**

1. Clear,	4. Silver Reflected Tinted or
2. Smoke,	5. Gold Reflected Tinted
3. Yellow,	
- **NVG Quick Release System Available**
- **Lightweight Crushable**
 1. Ear Cups
 2. High Strength Kevlar® Reinforced Yoke Retention
- **Optional Flex Mic Boom**
- **Adjustable Heavy-Duty Leather**
 1. Chin Strap
- **EPS Shock Liner meets MIL specs**
- **Optional Fidlock® Magnetic Buckle**



CENTURY DYNAMICS, LLC

WWW.CENTURYDYNAMICS.COM | WWW.CENTURY-DYNAMICS.COM
 4500 Mercantile Plaza, Suite 300 Fort Worth, TX, 76137, USA
 sales@century-dynamics.com | Tel: 817-612-1500 | Fax: 817-887-1776
 DUNS# 079785337 | CAGE Code 7D4P2
 BBB A Rating | ITAR Registered | TRACE Certified



Century 6 Kevlar Single Visor Helmet

The Century6 Kevlar Single Visor Helmet, is a lightweight helmet based on the U.S. Army's Sound Protective Helmet. It is the most comfortable and best fitting helicopter helmet on the market! The Kevlar Single Visor Helmet has been tested to MIL-H-43925D and is exportable without the need of an export license.

The Anvis6 Kevlar® Single Visor Helmet comes standard High Strength Kevlar® Reinforces Retention Assembly; eliminating forward role while using NVG's. This helmet features the best passive noise attenuation technology when using our Confor® foam inserts. Unlike some of our competitors, all of our lenses meet MIL-V-43511 specifications.

Fresh Kevlar Hat, Dual Visor, or Single Visor Hat. The lightweight and efficient Kevlar shell is an improvement from the old SPH-4 helmet fiberglass case. This helmet is fitted with the versatile dual visor assembly, each with its own actuation knob, which houses both clear and dark visors. This helmet is complete with Transparent & Dark visors, TPL lining and impact styrene, black retention assembly with fixed strap on one side and double buckle adjustment on the other side, ear cups, wire boom assembly, contact cord and plug(s), and civilian communications consisting of 300ohm earphones and Electret microphone.

Kevlar is an incredibly lightweight and effective synthetic polymer at its heart, which is weaved into a material that is 5 times stronger than steel when the weight is equal. Kevlar has an extremely high resistance to tensile and is 8 times stronger than steel wire. This is then turned into a thread that can be woven into cloth or other materials until it is processed into its fiber optic-form. And it's made into body armor and bulletproof coats.



CENTURY DYNAMICS, LLC

WWW.CENTURYDYNAMICS.COM | WWW.CENTURY-DYNAMICS.COM
4500 Mercantile Plaza, Suite 300 Fort Worth, TX, 76137, USA
sales@century-dyanamics.com | Tel: 817-612-1500 | Fax: 817-887-1776
DUNS# 079785337 | CAGE Code 7D4P2
BBB A Rating | ITAR Registered | TRACE Certified



A significant thing to remember about Kevlar is that it can not be put in direct sunlight and is not waterproof. If this happens, the fibers will lose their density, making it much less efficient. That's why you see Kevlar as being mainly used as an inner lining or center of a product. The best thing about Kevlar is that is mixed with other composite materials will make it much stronger than it is by itself.

- Made in the USA
- Two Helmet Shell Sizes: Regular (Up to 22.25" circumference) and XL (22.25" and Above)
- Five Confor Comfort Liner® sizes: 1/2" (S), 3/8" (M), 5/16" (L), 1/4" (XL), 1/8" (XXL)
- Visor color options: Smoke and Clear
- NVG Lip Lights Available
- 8-Step Paint Finishing Process- Custom colors at no extra charge!
- Lightweight Crushable Ear Cups
- Adjustable Heavy Duty Leather Chin Strap
- Optional Fidlock® Magnetic Buckle
- High-Strength Kevlar® Reinforced Yoke Retention Harness
- EPS Liner Meets MIL Spec
- Communications Included
- Lightweight Dupont Kevlar®
- Highly Adjustable Comfort Fit



CENTURY DYNAMICS, LLC

WWW.CENTURYDYNAMICS.COM | WWW.CENTURY-DYNAMICS.COM
4500 Mercantile Plaza, Suite 300 Fort Worth, TX, 76137, USA
sales@century-dyanamics.com | Tel: 817-612-1500 | Fax: 817-887-1776
DUNS# 079785337 | CAGE Code 7D4P2
BBB A Rating | ITAR Registered | TRACE Certified

3. DYNAMICS BALLISTIC HELMET

Provides the perfect combination of protection, weight, and comfortability.

Technical Specification;

NIJ Level IIIA (according to NIJ STD 0106.01 / 0108.01)
(Tested 9mm, 357, and .44 magnum)

9mm (1400fps) BFD: Avg less then 14mm all locations
(front/back/crown/sides)

Fragment Performance:

17gr V50 \geq 2400 ft/sec (731 m/s)

Blunt Impact Performance:

Exceeds current ACH Blunt Impact Protection requirements
(per AR/PD 10-02)

Material: Available in Aramid & Kevlar (Dupont)

Durable adjustable webbing chin strap, with fast snap buckle
Netting design on the interior top, lose shock absorption,
and ventilate

Weight: 2.98LB – 3.31LB / 1.35-1.50kg

Standard PASGT shell for max coverage
Interior plastic suspension netting system
No nails shown outside the shell

Colors: Desert Tan, Olive Green, Black, & Camo

Options: NVG mounts, side Picatinny rail mounts, & ABS
film cover



CENTURY DYNAMICS, LLC

4. Pilots Skull Caps



- Made from 100% cotton to absorb perspiration and keep helmet clean.
- One solid color Grey USAF.
- Wearing a skull cap under your helmet will absorb perspiration and keep your helmet clean and fresh.
- Our skull caps are made from extra absorbent cotton polyester fabric.
- Buy several so you have clean caps ready to wear while the rest are in the laundry.
- **Standard colors are**
 1. white, black, red, royal, navy, grey, green and yellow.
 2. Many special colors are available with minimum orders.
- **Sizes**
 1. M
 2. L
 3. XL



CENTURY DYNAMICS, LLC

WWW.CENTURYDYNAMICS.COM | WWW.CENTURY-DYNAMICS.COM
4500 Mercantile Plaza, Suite 300 Fort Worth, TX, 76137, USA
sales@century-dyanamics.com | Tel: 817-612-1500 | Fax: 817-887-1776
DUNS# 079785337 | CAGE Code 7D4P2
BBB A Rating | ITAR Registered | TRACE Certified

5. ZsH 7AP Flight Helmet



This ZsH-7AP Pilot Helmet is in use on Mig 29 and SU 27 Fighter Jets. ZSH-7 series helmet, with its clever internally secured hard visor assembly
 Helmet compatible with a bracket where a Night Vision Equipment (NVE) . Its has a dark visor, complete avionics and an occipital bladder inside.

This air bag consisting of a rubber bladder protected by a nylon bag, used to tighten the face against the oxygen mask automatically, as the oxygen pressure was increased. Its Compatible with Oxygen Mask and avionics also the small hose to connect to the occipital bladder Communication connector is ZSh.

Pair of Earphone 1600 Ohms .

2 Pin Female connector for Attach Throat microphone LA-5 or compatible.

Oxygen Mask

KM 35 M Oxygen Mask is developed and manufactured as per the specifications of, which is for use in SU 30 MK I Aircraft. This KM 35 M Oxygen Mask is compatible for use with ZSH 7 APN Helmet Flying. This is an integrated Mask Oxygen wherein the Microphone and the Line Amplifier comes fitted with the mask with 2 Pin male connectors. The salient features of this design are the rubber used for manufacturing of the face piece that is Medical Grade Silicon Rubber. With this rubber there is no chance of causing irritations to the skin of user. The face is molded using Rubber Injection molding process. The KM 35 M Oxygen Mask manufactured by us is lighter than Russian equivalent Mask Oxygen. The KM 35 M Oxygen Mask is blast-proof up to a speed of 600 Knots (tested at NAL, Bangalore), and provides protection to the pilots face against any injury due to impact or otherwise, as per international standards. This manual is intended to guide the user with respect to usage, servicing, and maintenance of the helmet.



CENTURY DYNAMICS, LLC



Aviators, LE, & Military Protective Gear



CENTURY DYNAMICS, LLC

WWW.CENTURYDYNAMICS.COM | WWW.CENTURY-DYNAMICS.COM
4500 Mercantile Plaza, Suite 300 Fort Worth, TX, 76137, USA
sales@century-dyanamics.com | Tel: 817-612-1500 | Fax: 817-887-1776
DUNS# 079785337 | CAGE Code 7D4P2
BBB A Rating | ITAR Registered | TRACE Certified

1. DYNAMICS BALLISTIC VEST



Provides the perfect combination of protection, weight, and comfortability.

- **Technical Specification;**

Material for the soft surface:

Kevlar/PE

Material for the hard surface: HPPE

Protection Level:

NIJ A 0101.04 & 0101.06

Protection against 7.62x51 NATO round & 9x19 Luger round

Protection area 0.6

Front & back, shoulder, collar, upper arms, and groins

Configuration:

Consists of outer cover, SAP (soft armor panels), protective cover.

The outer cover adopts 1000D Nylon flame retardant tearing resistant fabric.

Adjustable straps on shoulders and waist. Front and back pockets accommodate HAP to upgrade ballistic performance.

SAP is made of Dupont Kevlar material, labeled with "wearing side, date of production", to avoid reversed assembling.

Protective cover is thermally sealed with black coating nylon fabric, tight water seepage resistance to hydrostatic pressure more than 18 kpa for outstanding waterproof and UV protection function and long-term durable performance. Available in Black, olive green, and camouflage.



CENTURY DYNAMICS, LLC

WWW.CENTURYDYNAMICS.COM | WWW.CENTURY-DYNAMICS.COM

4500 Mercantile Plaza, Suite 300 Fort Worth, TX, 76137, USA

sales@century-dynamics.com | Tel: 817-612-1500 | Fax: 817-887-1776

DUNS# 079785337 | CAGE Code 7D4P2

BBB A Rating | ITAR Registered | TRACE Certified

2. MBU-20/P OXYGEN MASK



- **The MBU-20/P Combat Edge**
 1. HALP (High Altitude Low Profile) oxygen mask is current issue to
- **USAF Flight Crews**
 1. Flying aircraft like the F-16, F-15, and other tactical aircraft. It is also in use by
- **NASA astronauts**
 1. in training. Port for optional small hose that connects the mask to Combat Edge bladder inside helmet.

3. MBU-12/P OXYGEN MASK



- **The MBU-12/P**
 1. is designed to replace the MBU-5/P. This unit offers superior comfort and efficiency including downward vision.
- **Low Profile Design**
 1. provides excellent stability during high G maneuvers.
- **Includes Miniature**
 1. "electret" microphone for general aviation,
- **CX4707C Cable Assembly,**
 1. offset bayonets, AN safety connector, dust cover.



CENTURY DYNAMICS, LLC

WWW.CENTURYDYNAMICS.COM | WWW.CENTURY-DYNAMICS.COM
 4500 Mercantile Plaza, Suite 300 Fort Worth, TX, 76137, USA
 sales@century-dyanamics.com | Tel: 817-612-1500 | Fax: 817-887-1776
 DUNS# 079785337 | CAGE Code 7D4P2
 BBB A Rating | ITAR Registered | TRACE Certified

4. CSU-13B/P U.S. AIR FORCE ANTI-G SUIT



1. Bladders located at the abdomen, thighs and calf area.
2. Waist and leg entrance zipper fasteners.
3. Cord lacing fit adjustment with lacing covers.
4. Detachable leg pockets.
5. Leather reinforced shin pockets and shroud knife pocket.
6. Available in 7 sizes and lengths.

■ Specifications

1. MIL-Spec: MIL-DTL-83406D

■ Shell Fabric:

1. FR Aramid Cloth

■ Color:

1. Sage Green

■ Bladder Fabric:

1. Polyurethane Coated Nylon

■ Sizes:

1. NSN's: 8475-00-545-8197 (small-regular)
2. 8475-00-545-8204 (small-long)
3. 8475-00-545-8211 (medium-regular)
4. 8475-00-550-7394 (medium-long)
5. 8475-00-545-8221 (large-regular)
6. 8475-00-545-8227 (large-long)
7. 8475-00-545-8248 (large-X-long)



CENTURY DYNAMICS, LLC

5. Flyer's Gloves

Made with Nomex fire resistant material designed and manufactured for fighter pilots. **Made in the USA.**

■ Technical Specification;

1. Flyers Summer Gloves
2. Fire resistant (nomex) and perspiration resistant
3. Made of knitted leather sheepskin
4. Gauntlet cuff with elastic webbing

■ Glove Sizing

1. Size X-Small - Nomex 7; Military 2; 7-7
2. Size Small - Nomex 8; Military 3; 8-8-8
3. Size Medium -Nomex 9; Military 4; 9-9
4. Size Large Nomex 10; Military 5; 10-10
5. Size X-Large Nomex 11; Military 6; 11-11
6. Size XX-Large Nomex 12; 12-12

■ Measuring Instructions:

1. With the hand flat and the thumb excluded, measure around the knuckles.



CENTURY DYNAMICS, LLC

WWW.CENTURYDYNAMICS.COM | WWW.CENTURY-DYNAMICS.COM
4500 Mercantile Plaza, Suite 300 Fort Worth, TX, 76137, USA
sales@century-dyanamics.com | Tel: 817-612-1500 | Fax: 817-887-1776
DUNS# 079785337 | CAGE Code 7D4P2
BBB A Rating | ITAR Registered | TRACE Certified

6. Flyer's Boots FWU-8/P

The FWU-8/P is a lightweight flight boots designed and manufactured for fighter pilots. **Made in the USA.**

■ Technical Specification;

1. Specially designed for use by pilots
2. Genuine Good year welt construction
3. Black full grain cowhide upper
4. Natural full grain cowhide lining
5. Black cowhide with Velcro flap turndown top line 5 1/2 iron Texorist insole 3 iron jet fuel resistant midsole 16 iron black military chevron design oil proof outsole Black chevron design oil proof heel Heavy duty solvent boxtoe Leather board counter
6. Nylon lace with cinch clamp closure
7. Nylon-singer "lock stitch" stitching
8. Military left and right shanks of fiberboard covered steel 701 last Speed lacers

■ Height:

1. 7 inches

■ Sizes:

- 1.7 through 12 ½

■ Widths:

1. A-E



CENTURY DYNAMICS, LLC

7. Flyer's Jacket CWU-45/P

The CWU-45P is a winter weight flight jacket made from flame resistant Nomex material and is the genuine current-issue jacket for the USN and USAF. **Made in the USA.**



■ Technical Specification;

1. Fire-resistant fabric
2. Manufactured to US Military Specification MIL-J-83388E
3. Front zipper closure with storm flap
4. Fully lined double-stitched patch pockets with hook and loop fastener tape closure
5. Fastener tape patch
6. Knit cuffs and waistband

■ **Color:** Sage Green

■ **Fit:** Normal



CENTURY DYNAMICS, LLC

WWW.CENTURYDYNAMICS.COM | WWW.CENTURY-DYNAMICS.COM

4500 Mercantile Plaza, Suite 300 Fort Worth, TX, 76137, USA

sales@century-dyanamics.com | Tel: 817-612-1500 | Fax: 817-887-1776

DUNS# 079785337 | CAGE Code 7D4P2

BBB A Rating | ITAR Registered | TRACE Certified

8. Pilot Coveralls CWU-27/P



Made in the USA

Pilot Coveralls CWU-27/P - Available in Navy Blue, Sag Green, Desert Tan, Orange, EMS Blue, and SAR Red

Features flame-resistant, non-melting material

Fabric is lightweight, will never fade

NIR compliant* (all colors except Black)

Felled seams throughout for enhanced durability

Six primary pockets with additional accessory pockets

Two-way zipper front with cloth pull

Adjustable hook and loop closure at sleeve cuffs

Adjustable waist belt with hook and loop closure

Zippered leg openings

Reinforced shoulders to prevent wear

Bi-swing back improves range of motion

Nomex® 92% meta aramid / 5% para aramid / 3% conductive fibers

Made in the USA

Used by USNAVY, USAF, USARMY, & US Coast Guards pilots



CENTURY DYNAMICS, LLC

WWW.CENTURYDYNAMICS.COM | WWW.CENTURY-DYNAMICS.COM

4500 Mercantile Plaza, Suite 300 Fort Worth, TX, 76137, USA

sales@century-dynamics.com | Tel: 817-612-1500 | Fax: 817-887-1776

DUNS# 079785337 | CAGE Code 7D4P2

BBB A Rating | ITAR Registered | TRACE Certified



Military Grade Firearms



CENTURY DYNAMICS, LLC

WWW.CENTURYDYNAMICS.COM | WWW.CENTURY-DYNAMICS.COM
4500 Mercantile Plaza, Suite 300 Fort Worth, TX, 76137, USA
sales@century-dyanamics.com | Tel: 817-612-1500 | Fax: 817-887-1776
DUNS# 079785337 | CAGE Code 7D4P2
BBB A Rating | ITAR Registered | TRACE Certified



Century Dynamics Military grade firearms

BF-12 BULLPUP SEMI-AUTOMATIC LINE	1	LV-500 LEVER ACTION SERIES	13
BF-12 HYBRID BULLPUP	2	SP-500 STRAIGHT PULL SERIES	14
BG 410 SERIES	4	OVER/ UNDER SERIES	16
P.K VERTICAL MAG SERIES	5-6	SINGLE BARREL SERIES	17
SEMI-AUTOMATIC SERIES	8-9-10	BLANK PISTOL SERIES	18
PUMP-ACTION SERIES	11-12	SPARE PARTS	19-20



CENTURY DYNAMICS, LLC

WWW.CENTURYDYNAMICS.COM | WWW.CENTURY-DYNAMICS.COM
 4500 Mercantile Plaza, Suite 300 Fort Worth, TX, 76137, USA
 sales@century-dyanamics.com | Tel: 817-612-1500 | Fax: 817-887-1776
 DUNS# 079785337 | CAGE Code 7D4P2
 BBB A Rating | ITAR Registered | TRACE Certified



BF-12 BULLPUP SEMI-AUTO LINE



BF-12
002



BF-12
003



BF-12
004



BF-12
005



BF-12
006



BF-12
007

GAUGE	MECHANISM	CHAMBER	BARREL	BODY	BARREL	CHOKE	MAGAZINE CAPACITY
12 Gauge	Gas Operated	76 mm (3")	4140 Full Steel	Full Aluminium/Upper Lower Metal, Lower Synthetic	47 cm, 51 cm, 55 cm, 61 cm	Mobil Chock, Slug	2+1, 5+1 7+1, 10+1



CENTURY DYNAMICS, LLC

WWW.CENTURYDYNAMICS.COM | WWW.CENTURY-DYNAMICS.COM

4500 Mercantile Plaza, Suite 300 Fort Worth, TX, 76137, USA

sales@century-dynamics.com | Tel: 817-612-1500 | Fax: 817-887-1776

DUNS# 079785337 | CAGE Code 7D4P2

BBB A Rating | ITAR Registered | TRACE Certified



BF-12 BULLPUP HYBRID



HYBRID
001



HYBRID
002



HYBRID
003

Pump Action+ Semi Auto



HYBRID
004

GAUGE	MECHANISM	CHAMBER	BODY	BARREL	CHOKE	BUTTSTOCK	MAGAZINE CAPACITY
12 Gauge	Hybrid (Pump Action+ Semi Auto)	76 mm (3")	7075-T6 Aluminum	47 cm, 51 cm, 55 cm, 61 cm	Mobil Chock, Slug	Synthetic	5+1, 10+1



CENTURY DYNAMICS, LLC

WWW.CENTURYDYNAMICS.COM | WWW.CENTURY-DYNAMICS.COM

4500 Mercantile Plaza, Suite 300 Fort Worth, TX, 76137, USA

sales@century-dyanamics.com | Tel: 817-612-1500 | Fax: 817-887-1776

DUNS# 079785337 | CAGE Code 7D4P2

BBB A Rating | ITAR Registered | TRACE Certified



CENTURY DYNAMICS, LLC

WWW.CENTURYDYNAMICS.COM | WWW.CENTURY-DYNAMICS.COM
4500 Mercantile Plaza, Suite 300 Fort Worth, TX, 76137, USA
sales@century-dyanamics.com | Tel: 817-612-1500 | Fax: 817-887-1776
DUNS# 079785337 | CAGE Code 7D4P2
BBB A Rating | ITAR Registered | TRACE Certified



BG 410 SERIES



BG 410
005



BG 410
006



BG 410
007



BG 410
008



BG 410
011



BG 410
013

GAUGE	MECHANISM	CHAMBER	BARREL LENGTH	MAGAZINE CAPACITY	MUZZLE VELOCITY	TOTAL LENGTH
410	Gas Operated	76 mm (3")	51 cm (20") 35 cm (13")	2+1, 9+1, 14+1	700 m/s	33,8"



CENTURY DYNAMICS, LLC

WWW.CENTURYDYNAMICS.COM | WWW.CENTURY-DYNAMICS.COM
 4500 Mercantile Plaza, Suite 300 Fort Worth, TX, 76137, USA
 sales@century-dyanamics.com | Tel: 817-612-1500 | Fax: 817-887-1776
 DUNS# 079785337 | CAGE Code 7D4P2
 BBB A Rating | ITAR Registered | TRACE Certified



PK VERTICAL MAG SERIES



PK
001



PK
002



PK
003



PK
004



PK
005



PK
006



PK
007

GAUGE	MECHANISM	CHAMBER	BARREL LENGTH	STOCK	MAGAZINE CAPACITY	CHOKE
12 Gauge	Gas Operated	76 mm (3")	47 cm, 51 cm, 55 cm, 61 cm	Synthetic	2+1, 5+1 10+1	Mobil Chock, Slug



CENTURY DYNAMICS, LLC

WWW.CENTURYDYNAMICS.COM | WWW.CENTURY-DYNAMICS.COM
 4500 Mercantile Plaza, Suite 300 Fort Worth, TX, 76137, USA
 sales@century-dyanamics.com | Tel: 817-612-1500 | Fax: 817-887-1776
 DUNS# 079785337 | CAGE Code 7D4P2
 BBB A Rating | ITAR Registered | TRACE Certified



PK VERTICAL MAG MAGAZINE



PK
008



PK
009



PK
010



PK
011



PK
012



PK
013



PK
013

GAUGE	MECHANISM	CHAMBER	BARREL LENGTH	STOCK	MAGAZINE CAPACITY	CHOKE
12 Gauge	Gas Operated	76 mm (3")	47 cm, 51 cm, 55 cm, 61 cm	Synthetic	2+1, 5+1 10+1	Mobil Chock, Slug



CENTURY DYNAMICS, LLC

WWW.CENTURYDYNAMICS.COM | WWW.CENTURY-DYNAMICS.COM
 4500 Mercantile Plaza, Suite 300 Fort Worth, TX, 76137, USA
 sales@century-dyanamics.com | Tel: 817-612-1500 | Fax: 817-887-1776
 DUNS# 079785337 | CAGE Code 7D4P2
 BBB A Rating | ITAR Registered | TRACE Certified



CENTURY DYNAMICS



CENTURY DYNAMICS, LLC

WWW.CENTURYDYNAMICS.COM | WWW.CENTURY-DYNAMICS.COM
4500 Mercantile Plaza, Suite 300 Fort Worth, TX, 76137, USA
sales@century-dyanamics.com | Tel: 817-612-1500 | Fax: 817-887-1776
DUNS# 079785337 | CAGE Code 7D4P2
BBB A Rating | ITAR Registered | TRACE Certified



SEMI AUTOMATIC SERIES



GAUGE	MECHANISM	CHAMBER	BARREL LENGTH	BARREL	CHOKE	STOCK	MAGAZINE CAPACITY
12 Gauge	Gas Operated	76 mm (3")	47 cm, 51 cm 66 cm, 71 cm, 76 cm	4140 Full Steel	Mobil Chock, Slug	Synthetic Turkish Walnut	2+1, 4+1 7+1, 10+1



CENTURY DYNAMICS, LLC

WWW.CENTURYDYNAMICS.COM | WWW.CENTURY-DYNAMICS.COM
 4500 Mercantile Plaza, Suite 300 Fort Worth, TX, 76137, USA
 sales@century-dyanamics.com | Tel: 817-612-1500 | Fax: 817-887-1776
 DUNS# 079785337 | CAGE Code 7D4P2
 BBB A Rating | ITAR Registered | TRACE Certified



SEMI AUTOMATIC SERIES



SA
007



SA
008



SA
009



SA
010



SA
011



SA
012

GAUGE	MECHANISM	CHAMBER	BARREL LENGTH	BARREL	CHOKE	STOCK	MAGAZINE CAPACITY
12 Gauge	Gas Operated	76 mm (3")	47 cm, 51 cm 66 cm, 71 cm, 76 cm	4140 Full Steel	Mobil Chock, Slug	Synthetic Turkish Walnut	2+1, 4+1 7+1, 10+1



CENTURY DYNAMICS, LLC

WWW.CENTURYDYNAMICS.COM | WWW.CENTURY-DYNAMICS.COM

4500 Mercantile Plaza, Suite 300 Fort Worth, TX, 76137, USA

sales@century-dyanamics.com | Tel: 817-612-1500 | Fax: 817-887-1776

DUNS# 079785337 | CAGE Code 7D4P2

BBB A Rating | ITAR Registered | TRACE Certified



SEMI AUTOMATIC SERIES



SA
013



SA
014



SA
015



SA
016



SA
017

GAUGE	MECHANISM	CHAMBER	BARREL LENGTH	BARREL	CHOKE	STOCK	MAGAZINE CAPACITY
12 Gauge	Gas Operated	76 mm (3")	47 cm, 51 cm 66 cm, 71 cm, 76 cm	4140 Full Steel	Mobil Chock, Slug	Synthetic Turkish Walnut	2+1, 4+1 7+1, 10+1



CENTURY DYNAMICS, LLC

WWW.CENTURYDYNAMICS.COM | WWW.CENTURY-DYNAMICS.COM
 4500 Mercantile Plaza, Suite 300 Fort Worth, TX, 76137, USA
 sales@century-dyanamics.com | Tel: 817-612-1500 | Fax: 817-887-1776
 DUNS# 079785337 | CAGE Code 7D4P2
 BBB A Rating | ITAR Registered | TRACE Certified



PUMP ACTION SERIES



PA
001



PA
002



PA
003



PA
004



PA
005

GAUGE	MECHANISM	CHAMBER	BARREL LENGTH	BARREL	CHOKE	STOCK	MAGAZINE CAPACITY
12 Gauge	Pump-Action	76 mm (3")	32 cm, 47 cm 51 cm	4140 Full Steel	Mobil Chock, Slug	Synthetic Turkish Walnut	2+1, 4+1 7+1, 10+1



CENTURY DYNAMICS, LLC

WWW.CENTURYDYNAMICS.COM | WWW.CENTURY-DYNAMICS.COM

4500 Mercantile Plaza, Suite 300 Fort Worth, TX, 76137, USA

sales@century-dyanamics.com | Tel: 817-612-1500 | Fax: 817-887-1776

DUNS# 079785337 | CAGE Code 7D4P2

BBB A Rating | ITAR Registered | TRACE Certified



PUMP ACTION SERIES



PA
006



PA
007



PA
008



PA
009



PA
010

GAUGE	MECHANISM	CHAMBER	BARREL LENGTH	BARREL	CHOKE	STOCK	MAGAZINE CAPACITY
12 Gauge	Pump Action	76 mm (3")	32 cm, 47 cm 51 cm	4140 Full Steel	Mobil Chock, Slug	Synthetic Turkish Walnut	2+1, 4+1 7+1, 10+1



CENTURY DYNAMICS, LLC

WWW.CENTURYDYNAMICS.COM | WWW.CENTURY-DYNAMICS.COM
 4500 Mercantile Plaza, Suite 300 Fort Worth, TX, 76137, USA
 sales@century-dyanamics.com | Tel: 817-612-1500 | Fax: 817-887-1776
 DUNS# 079785337 | CAGE Code 7D4P2
 BBB A Rating | ITAR Registered | TRACE Certified



LV-500 LEVER ACTION SERIES



LV
001



LV
002



LV
003



LV
004

GAUGE	MECHANISM	CHAMBER	BARREL LENGTH	BARREL	CHOKE	STOCK	MAGAZINE CAPACITY
12 Gauge	Gas Operated	76 mm (3")	47 cm, 51 cm 66 cm, 71 cm, 76 cm	4140 Full Steel	Mobil Chock, Slug	Synthetic Turkish Walnut	2+1, 4+1 7+1, 10+1



CENTURY DYNAMICS, LLC

WWW.CENTURYDYNAMICS.COM | WWW.CENTURY-DYNAMICS.COM
 4500 Mercantile Plaza, Suite 300 Fort Worth, TX, 76137, USA
 sales@century-dyanamics.com | Tel: 817-612-1500 | Fax: 817-887-1776
 DUNS# 079785337 | CAGE Code 7D4P2
 BBB A Rating | ITAR Registered | TRACE Certified



SP-500 STRAIGHT PULL SERIES



SP
002



SP
003



SP
004



SP
005

GAUGE	CHAMBER	BARREL	BARREL LENGTH	STOCK	MAGAZINE CAPACITY	CHOKE
410	76 mm (3")	4140 Full Steel	55 cm, 61 cm 66 cm, 71 cm	Synthetic Turkish Walnut	2+1, 5+1 10+1	Mobil Chock, Slug



CENTURY DYNAMICS, LLC

WWW.CENTURYDYNAMICS.COM | WWW.CENTURY-DYNAMICS.COM
 4500 Mercantile Plaza, Suite 300 Fort Worth, TX, 76137, USA
 sales@century-dyanamics.com | Tel: 817-612-1500 | Fax: 817-887-1776
 DUNS# 079785337 | CAGE Code 7D4P2
 BBB A Rating | ITAR Registered | TRACE Certified



CENTURY DYNAMICS, LLC

WWW.CENTURYDYNAMICS.COM | WWW.CENTURY-DYNAMICS.COM
4500 Mercantile Plaza, Suite 300 Fort Worth, TX, 76137, USA
sales@century-dyanamics.com | Tel: 817-612-1500 | Fax: 817-887-1776
DUNS# 079785337 | CAGE Code 7D4P2
BBB A Rating | ITAR Registered | TRACE Certified



CENTURY DYNAMICS

OVER/UNDER SERIES



OU
001



OU
002



OU
003



OU
004



OU
005



OU
006

GAUGE	MECHANISM	CHAMBER	BARREL	BARREL LENGTH	STOCK
12 Ga. - 20 Ga. 28 Ga. - 410 Ga.	Ejector (For 12) Extractor (For All)	76 mm (3")	4140 Full Steel	47 cm, 50 cm, 55 cm 61 cm, 66 cm, 71 cm 76 cm, 81 cm	Turkish Walnut



CENTURY DYNAMICS, LLC

WWW.CENTURYDYNAMICS.COM | WWW.CENTURY-DYNAMICS.COM

4500 Mercantile Plaza, Suite 300 Fort Worth, TX, 76137, USA

sales@century-dyanamics.com | Tel: 817-612-1500 | Fax: 817-887-1776

DUNS# 079785337 | CAGE Code 7D4P2

BBB A Rating | ITAR Registered | TRACE Certified



SINGLE BARREL SERIES



SB
001



SB
002



SB
003



SB
004



SB
005



SB
006

GAUGE	MECHANISM	CHAMBER	BARREL	BARREL LENGTH	STOCK
12 Ga. - 20 Ga. 28 Ga. - 410 Ga.	Extractor	76 mm (3")	4140 Full Steel	47 cm, 50 cm, 55 cm 61 cm, 66 cm, 71 cm 76 cm, 81 cm	Turkish Walnut Synthetic



CENTURY DYNAMICS, LLC

WWW.CENTURYDYNAMICS.COM | WWW.CENTURY-DYNAMICS.COM
 4500 Mercantile Plaza, Suite 300 Fort Worth, TX, 76137, USA
 sales@century-dyanamics.com | Tel: 817-612-1500 | Fax: 817-887-1776
 DUNS# 079785337 | CAGE Code 7D4P2
 BBB A Rating | ITAR Registered | TRACE Certified



FIREARMS SPARE PARTS



CENTURY DYNAMICS, LLC

WWW.CENTURYDYNAMICS.COM | WWW.CENTURY-DYNAMICS.COM
4500 Mercantile Plaza, Suite 300 Fort Worth, TX, 76137, USA
sales@century-dyanamics.com | Tel: 817-612-1500 | Fax: 817-887-1776
DUNS# 079785337 | CAGE Code 7D4P2
BBB A Rating | ITAR Registered | TRACE Certified



Military Communication Equipment Connectors & Plugs

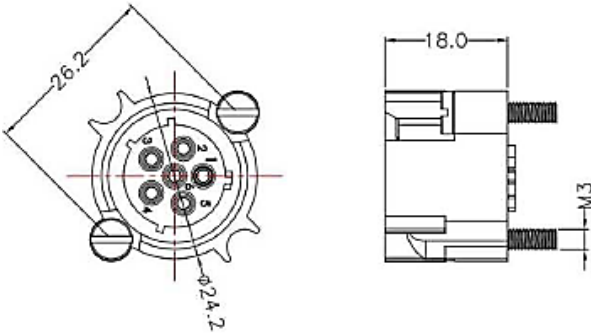


CENTURY DYNAMICS, LLC

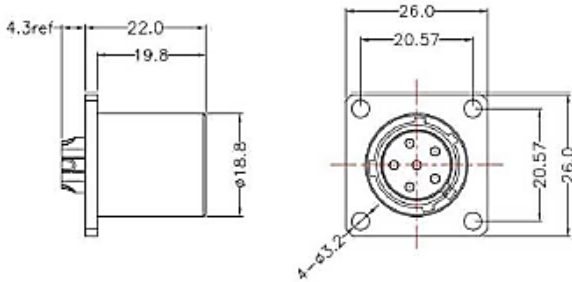
WWW.CENTURYDYNAMICS.COM | WWW.CENTURY-DYNAMICS.COM
4500 Mercantile Plaza, Suite 300 Fort Worth, TX, 76137, USA
sales@century-dynamics.com | Tel: 817-612-1500 | Fax: 817-887-1776
DUNS# 079785337 | CAGE Code 7D4P2
BBB A Rating | ITAR Registered | TRACE Certified

1. BB-2590/U Battery Female Connector

Model#	RS-2590 Female
Brand	Century Dynamics
Material	PA
Gender	Female
Color	Black
Conductors	6 Pin
Mates with	CONN-BB2590-MP male
Dimension	26.2*18mm
Waterproof	IP67
Recycling life	Over 3000 times
Package	PE Bubble pack
Certificate	CE/RoHS/ISO9001
Warranty	12 months
Applications	BB-2590/U, BB-590/U, BB-390B/U, BB-490/U, BA-590/U, BA-5390/U, BA-3590/U Battery



2. BB-2590/U Battery Male Connector (Square)



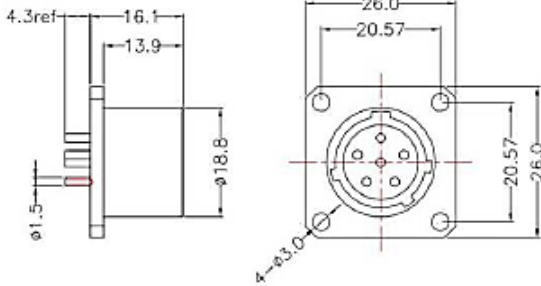
Model#	RS-2590 Male
Brand	Century Dynamics
Material	Aluminum
Gender	Male
Type	Square
Color	Silver, Black & Military Green
Conductors	6 Pin
Mates with	SC-C-179495 connector
Dimension	26.3*18.8mm
Waterproof	IP67
Recycling life	Over 3000 times
Package	PE Bubble pack
Certificate	CE/RoHS/ISO9001
Warranty	12 months
Applications	BB-2590/U, BB-590/U, BB-390B/U, BB-490/U, BA-5590/U, BA-5390/U, BA-3590/U Battery



CENTURY DYNAMICS, LLC

WWW.CENTURYDYNAMICS.COM | WWW.CENTURY-DYNAMICS.COM
 4500 Mercantile Plaza, Suite 300 Fort Worth, TX, 76137, USA
 sales@century-dyanamics.com | Tel: 817-612-1500 | Fax: 817-887-1776
 DUNS# 079785337 | CAGE Code 7D4P2
 BBB A Rating | ITAR Registered | TRACE Certified

3. BB-2590/U Battery Male Connector (Square)



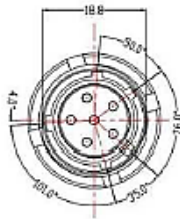
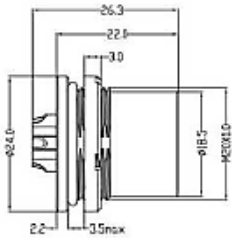
Model#	RS-2590 Male PCB
Brand	Century Dynamics
Material	Aluminum
Gender	Male
Type	Square
Color	Silver, Black & Military Green
Conductors	6 Pin
Mates with	SC-C-179495 connector
Dimension	20.4*18.8mm
Waterproof	IP67
Recycling life	Over 3000 times
Package	PE Bubble pack
Certificate	CE/RoHS/ISO9001
Warranty	12 months
Applications	BB-2590/U, BB-590/U, BB-390B/U, BB-490/U, BA-590/U, BA-5390/U, BA-3590/U Battery



CENTURY DYNAMICS, LLC

WWW.CENTURYDYNAMICS.COM | WWW.CENTURY-DYNAMICS.COM
 4500 Mercantile Plaza, Suite 300 Fort Worth, TX, 76137, USA
 sales@century-dyanamics.com | Tel: 817-612-1500 | Fax: 817-887-1776
 DUNS# 079785337 | CAGE Code 7D4P2
 BBB A Rating | ITAR Registered | TRACE Certified

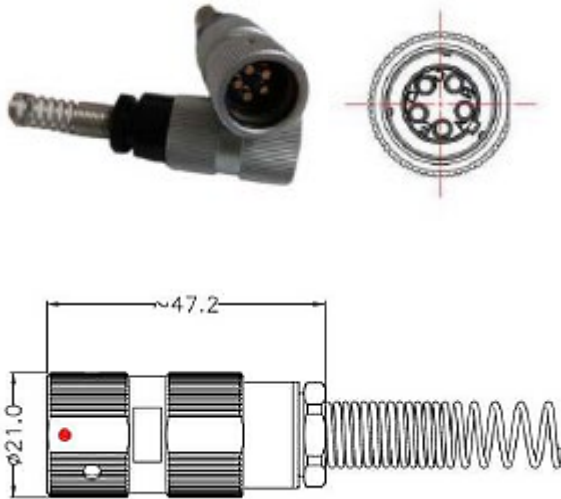
4. BB-2590/U Battery Male Connector (Round)



Model#	RS-2590 Male
Brand	Century Dynamics
Material	Aluminum
Gender	Male
Type	Round
Color	Silver
Conductors	6 Pin
Mates with	SC-C-179495 connector
Dimension	26.3*18.5mm
Waterproof	IP67
Recycling life	Over 3000 times
Package	PE Bubble pack
Certificate	CE/RoHS/ISO9001
Warranty	12 months
Applications	BB-2590/U, BB-590/U, BB-390B/U, BB-490/U, BA-590/U, BA-5390/U, BA-3590/U Battery



5. U229 Connector

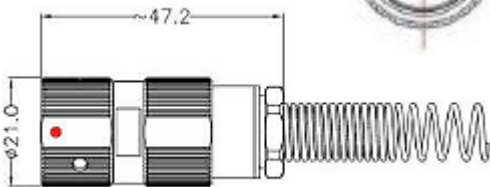


Model#	RS-U229
Brand	Century Dynamics
Replacement	Amphenol U-229/U
Material	Stainless steel/Copper
Gender	Female
Color	Black & silver grey
Conductors	5 Pin (MAX 27 Pins)
Mates with	U-183/U, U-283/U
Dimension	47.2*21mm
Waterproof	IP67
Recycling life	Over 3000 times
Package	PE Bubble pack
Certificate	CE/RoHS/ISO9001
Warranty	12 months
Applications	Military headset, handset, speaker MIC...



CENTURY DYNAMICS, LLC

6. U329 Connector



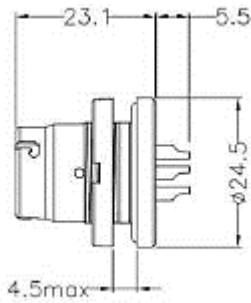
Model#	RS-U329
Brand	Century Dynamics
Replacement	Amphenol U-329/U
Material	Stainless steel/Copper
Gender	Female
Color	Black & silver grey
Conductors	6 Pin
Mates with	U-283/U
Dimension	47.2*21mm
Waterproof	IP67
Recycling life	Over 3000 times
Package	PE Bubble pack
Certificate	CE/RoHS/ISO9001
Warranty	12 months
Applications	Military headset, handset, speaker MIC...



CENTURY DYNAMICS, LLC

WWW.CENTURYDYNAMICS.COM | WWW.CENTURY-DYNAMICS.COM
 4500 Mercantile Plaza, Suite 300 Fort Worth, TX, 76137, USA
 sales@century-dyanamics.com | Tel: 817-612-1500 | Fax: 817-887-1776
 DUNS# 079785337 | CAGE Code 7D4P2
 BBB A Rating | ITAR Registered | TRACE Certified

7. U283 Connector (Front Lock)



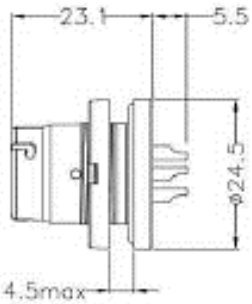
Model#	RS-U283
Brand	Century Dynamics
Replacement	Amphenol U-283/U
Material	Stainless steel/Copper
Gender	Male
Color	Black & Silver Grey
Conductors	6 Pin (MAX 27 Pins)
Mates with	U-229/U, U329/U
Dimension	28.6*24.5mm
Waterproof	IP67
Recycling life	Over 3000 times
Package	PE Bubble pack
Certificate	CE/RoHS/ISO9001
Warranty	12 months
Applications	Military manpack, handheld radios transceiver...



CENTURY DYNAMICS, LLC

WWW.CENTURYDYNAMICS.COM | WWW.CENTURY-DYNAMICS.COM
 4500 Mercantile Plaza, Suite 300 Fort Worth, TX, 76137, USA
 sales@century-dyanamics.com | Tel: 817-612-1500 | Fax: 817-887-1776
 DUNS# 079785337 | CAGE Code 7D4P2
 BBB A Rating | ITAR Registered | TRACE Certified

8. U183 Connector (Front-lock)



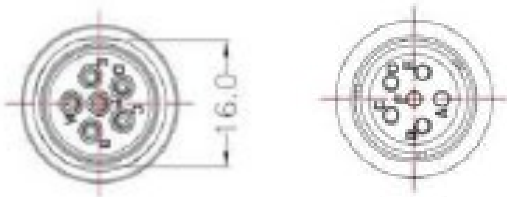
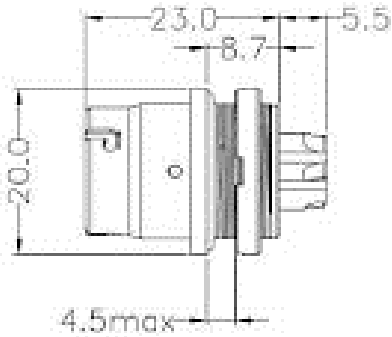
Model#	RS-U183
Brand	Century Dynamics
Replacement	Amphenol U-183/U
Material	Stainless steel/Copper
Gender	Male
Color	Black & Silver Grey
Conductors	5 Pin
Mates with	U-229/U
Dimension	28.6*24.5mm
Waterproof	IP67
Recycling life	Over 3000 times
Package	PE Bubble pack
Certificate	CE/RoHS/ISO9001
Warranty	12 months
Applications	Military manpack, handheld radios transceiver...



CENTURY DYNAMICS, LLC

WWW.CENTURYDYNAMICS.COM | WWW.CENTURY-DYNAMICS.COM
 4500 Mercantile Plaza, Suite 300 Fort Worth, TX, 76137, USA
 sales@century-dyanamics.com | Tel: 817-612-1500 | Fax: 817-887-1776
 DUNS# 079785337 | CAGE Code 7D4P2
 BBB A Rating | ITAR Registered | TRACE Certified

9. U283 Connector (Back-lock)



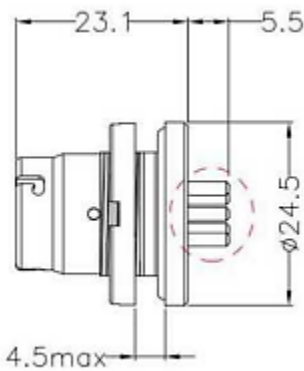
Model#	RS-U283B
Brand	Century Dynamics
Replacement	Amphenol U-283/U
Material	Stainless steel/Copper
Gender	Male
Color	Black & Silver Grey
Conductors	6 Pin
Mates with	U-229/U, U-329/U
Dimension	28.5*20mm
Waterproof	IP67
Recycling life	Over 3000 times
Package	PE Bubble pack
Certificate	CE/RoHS/ISO9001
Warranty	12 months
Applications	Military manpack, handheld radios transceiver...



CENTURY DYNAMICS, LLC

WWW.CENTURYDYNAMICS.COM | WWW.CENTURY-DYNAMICS.COM
 4500 Mercantile Plaza, Suite 300 Fort Worth, TX, 76137, USA
 sales@century-dyanamics.com | Tel: 817-612-1500 | Fax: 817-887-1776
 DUNS# 079785337 | CAGE Code 7D4P2
 BBB A Rating | ITAR Registered | TRACE Certified

10. U283/FT Connector



Model#	RS-U283/FT
Brand	Century Dynamics
Feature	Compatible with PCB board
Material	Stainless steel/Copper
Gender	Male
Color	Black & Silver Grey
Conductors	6 Pin
Mates with	U-229/U, U329/U
Dimension	28.6*24.5mm
Waterproof	IP67
Recycling life	Over 3000 times
Package	PE Bubble pack
Certificate	CE/RoHS/ISO9001
Warranty	12 months
Applications	Military manpack, handheld radios transceiver...

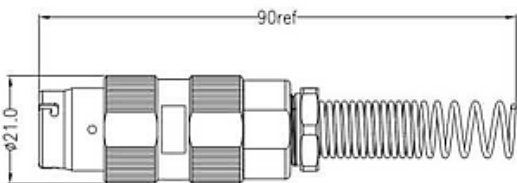


CENTURY DYNAMICS, LLC

WWW.CENTURYDYNAMICS.COM | WWW.CENTURY-DYNAMICS.COM
 4500 Mercantile Plaza, Suite 300 Fort Worth, TX, 76137, USA
 sales@century-dyanamics.com | Tel: 817-612-1500 | Fax: 817-887-1776
 DUNS# 079785337 | CAGE Code 7D4P2
 BBB A Rating | ITAR Registered | TRACE Certified

11. U-328 Connector

Model#	RS-U328
Brand	Century Dynamics
Material	Stainless steel/Copper
Gender	Male
Color	Black & Silver Grey
Conductors	6 Pin
Mates with	U-229/U, U-329/U
Dimension	90*21mm
Waterproof	IP67
Recycling life	Over 3000 times
Package	PE Bubble pack
Certificate	CE/RoHS/ISO9001
Warranty	12 months
Applications	Military manpack, handheld radios transceiver...



CENTURY DYNAMICS, LLC

WWW.CENTURYDYNAMICS.COM | WWW.CENTURY-DYNAMICS.COM

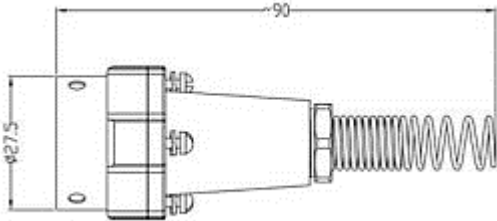
4500 Mercantile Plaza, Suite 300 Fort Worth, TX, 76137, USA

sales@century-dyanamics.com | Tel: 817-612-1500 | Fax: 817-887-1776

DUNS# 079785337 | CAGE Code 7D4P2

BBB A Rating | ITAR Registered | TRACE Certified

12. U161 Connector



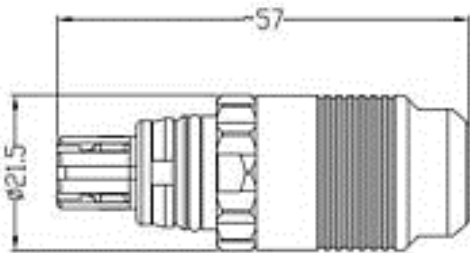
Model#	RS-U161
Brand	Century Dynamics
Material	Copper/Zinc Alloy
Gender	Male
Color	Black
Conductors	10 Pin
Mates with	U-78/U, U-79/U
Dimension	90*27.5mm
Waterproof	IP67
Recycling life	Over 3000 times
Package	PE Bubble pack
Certificate	CE/RoHS/ISO9001
Warranty	12 months
Applications	Military manpack, handheld radios communication, vehicle equipment



CENTURY DYNAMICS, LLC

WWW.CENTURYDYNAMICS.COM | WWW.CENTURY-DYNAMICS.COM
 4500 Mercantile Plaza, Suite 300 Fort Worth, TX, 76137, USA
 sales@century-dyanamics.com | Tel: 817-612-1500 | Fax: 817-887-1776
 DUNS# 079785337 | CAGE Code 7D4P2
 BBB A Rating | ITAR Registered | TRACE Certified

13. AP-107XL Connector



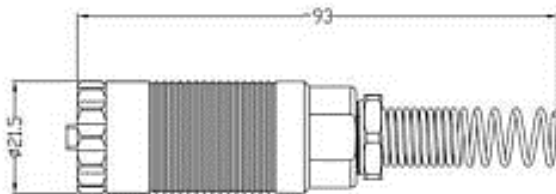
Model#	RS-AP107
Brand	Century Dynamics
Material	Aluminum alloy
Gender	Male
Color	Black
Conductors	7 Pin
Mates with	AJ-107BR
Dimension	57*21.5mm
Waterproof	IP67
Recycling life	Over 3000 times
Package	PE Bubble pack
Certificate	CE/RoHS/ISO9001
Warranty	12 months
Applications	Military manpack, handheld vehicle radios communication equipment



CENTURY DYNAMICS, LLC

WWW.CENTURYDYNAMICS.COM | WWW.CENTURY-DYNAMICS.COM
 4500 Mercantile Plaza, Suite 300 Fort Worth, TX, 76137, USA
 sales@century-dyanamics.com | Tel: 817-612-1500 | Fax: 817-887-1776
 DUNS# 079785337 | CAGE Code 7D4P2
 BBB A Rating | ITAR Registered | TRACE Certified

14. AJ-107BR Connector



Model#	RS-AJ107
Brand	Century Dynamics
Material	Aluminum alloy
Gender	Female
Color	Black
Conductors	7 Pin
Mates with	AP-107XL
Dimension	93*21.5mm
Waterproof	IP67
Recycling life	Over 3000 times
Package	PE Bubble pack
Certificate	CE/RoHS/ISO9001
Warranty	12 months
Applications	Military manpack, handheld vehicle radios communication equipment



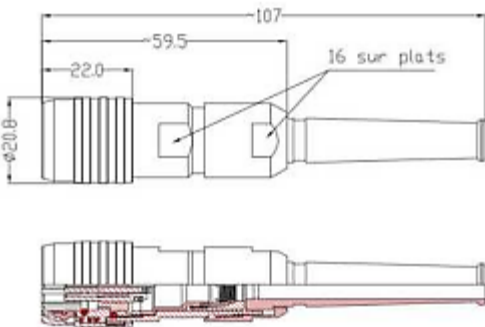
CENTURY DYNAMICS, LLC

WWW.CENTURYDYNAMICS.COM | WWW.CENTURY-DYNAMICS.COM
 4500 Mercantile Plaza, Suite 300 Fort Worth, TX, 76137, USA
 sales@century-dyanamics.com | Tel: 817-612-1500 | Fax: 817-887-1776
 DUNS# 079785337 | CAGE Code 7D4P2
 BBB A Rating | ITAR Registered | TRACE Certified

15. CMA 5N14 Connector



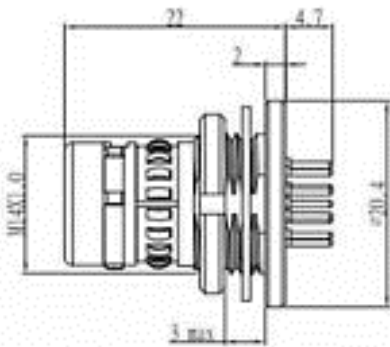
Model#	RS-5N14
Brand	Century Dynamics
Material	Aluminum alloy
Backshell	CMA RA7-70
Gender	Male
Color	Black
Conductors	14 Pin
Mates with	Bernier CMA 7N14
Dimension	107*20.8mm
Waterproof	IP67
Recycling life	Over 3000 times
Package	PE Bubble pack
Certificate	CE/RoHS/ISO9001
Warranty	12 months
Applications	Military manpack, handheld radios communication ,vehicle equipments



CENTURY DYNAMICS, LLC

WWW.CENTURYDYNAMICS.COM | WWW.CENTURY-DYNAMICS.COM
 4500 Mercantile Plaza, Suite 300 Fort Worth, TX, 76137, USA
 sales@century-dyanamics.com | Tel: 817-612-1500 | Fax: 817-887-1776
 DUNS# 079785337 | CAGE Code 7D4P2
 BBB A Rating | ITAR Registered | TRACE Certified

16. CMA 7N14 Connector



Model#	RS-5N14
Brand	Century Dynamics
Material	Aluminum alloy
Gender	Female
Color	Black
Conductors	14 Pin
Mates with	Bernier CMA 5N14
Dimension	26.7*20.4mm
Waterproof	IP67
Recycling life	Over 3000 times
Package	PE Bubble pack
Certificate	CE/RoHS/ISO9001
Warranty	12 months
Applications	Military manpack, handheld radios communication ,vehicle equipments



CENTURY DYNAMICS, LLC

WWW.CENTURYDYNAMICS.COM | WWW.CENTURY-DYNAMICS.COM
 4500 Mercantile Plaza, Suite 300 Fort Worth, TX, 76137, USA
 sales@century-dyanamics.com | Tel: 817-612-1500 | Fax: 817-887-1776
 DUNS# 079785337 | CAGE Code 7D4P2
 BBB A Rating | ITAR Registered | TRACE Certified



Military & Communication Equipment's Rechargeable Batteries



CENTURY DYNAMICS, LLC

WWW.CENTURYDYNAMICS.COM | WWW.CENTURY-DYNAMICS.COM
4500 Mercantile Plaza, Suite 300 Fort Worth, TX, 76137, USA
sales@century-dyanamics.com | Tel: 817-612-1500 | Fax: 817-887-1776
DUNS# 079785337 | CAGE Code 7D4P2
BBB A Rating | ITAR Registered | TRACE Certified



1. Rechargeable Battery BB-2590/U-SMBUS (Meets U.S. Military Standards)

NSN: 6140-01-553-3527

- Our BB-2590/U military battery meets the Military Standards MIL-PRF-32383.
- This is high performance rechargeable Lithium Ion battery with instantaneous start up.
- Dual state of charge “gas gauge” LCD displays.
- SMBUS data communication
- Durable high impact plastic housing and connector enclosure
- High capacity, performance verified, hermetically sealed, lithium-ion cells.
- Protection against short circuit and improper charge.
- High reliability due to all welded Construction.
- Unit contains safety vented cells 100% final testing
- Replacement for: BB-390A/U, BB-590/U, BB-390B/U, BB-490/U, BA-5590/U, BA-5390/U, BA-5290/U, BA-3590/U, and variants.



Item	Specification
Voltage	Typical: 14.4V or 28.8V, Final: 12.0V or 24.0V
Nominal Capacity	14.4V Mode: 15.0Ah at 3.0A to 10V at 23 °C 28.8V Mode: 7.5Ah at 3.0A to 20V at 23 °C
Max Discharge	6.0 A continuous in 28.8V Mode 12.0 A continuous in 14.4V Mode
Pulse Capability	Up to 18A continuous in 28.8V Mode Up to 36A continuous in 14.4V Mode
Weight	About 1500 grams
Dimensions	127*111*62mm
Operating Temp	-20 to +60 °C
Storage Temp	-20 to +60 °C
Exterior/Housing	Hard Plastic Case
Connector	6 pin polarized socked
APPLICATIONS	PRC-104, PRC-119 PRC-138, KY-57 Other equipment



CENTURY DYNAMICS, LLC

WWW.CENTURYDYNAMICS.COM | WWW.CENTURY-DYNAMICS.COM
 4500 Mercantile Plaza, Suite 300 Fort Worth, TX, 76137, USA
 sales@century-dyanamics.com | Tel: 817-612-1500 | Fax: 817-887-1776
 DUNS# 079785337 | CAGE Code 7D4P2
 BBB A Rating | ITAR Registered | TRACE Certified



2. Rechargeable Battery BB-390/U (Meets U.S. Military Standards)

- Our BB-390/U military battery meets the Military Standards MIL-PRF-32052(CR).
- This is high performance rechargeable Nickel Metal Hydride battery
- Durable high impact plastic housing and connector enclosure
- High reliability due to all welded Construction
- Unit contains safety vented cells 100% final testing
- Replacement for: BB-590/U, BB-2590/U, BB-390B/U, BB-490/U, BA-5590/U, BA-5390/U, BA-5290/U, BA-3590/U, and variants.



Item	Specification
Voltage	Typical: 12.0V or 24.0V Final: 10.0V or 20.0V
Nominal Capacity	12V Mode: 9Ah at 0.9A to 10V at 23°C 24V Mode: 4.5Ah at 0.9A to 20V at 23°C
Max Discharge	6A continuous in 24V Mode 12 A continuous in 12V Mode
Pulse Capability (5 seconds)	Up to 18A continuous in 24V Mode Up to 36A continuous in 12V Mode
Weight	About 1600 grams
Dimensions	127*112*63mm
Operating Temp	-20 to +55 °C
Storage Temp	-30 to +45 °C
Exterior/Housing	Hard Plastic Case
Connector	6 pin polarized socked
APPLICATIONS	PRC-104, PRC-119 PRC-138, KY-57 Approximately 50 other military applications



CENTURY DYNAMICS, LLC

WWW.CENTURYDYNAMICS.COM | WWW.CENTURY-DYNAMICS.COM

4500 Mercantile Plaza, Suite 300 Fort Worth, TX, 76137, USA

sales@century-dyanamics.com | Tel: 817-612-1500 | Fax: 817-887-1776

DUNS# 079785337 | CAGE Code 7D4P2

BBB A Rating | ITAR Registered | TRACE Certified

3. Rechargeable Battery BB-590/U (Meets U.S. Military Standards)

- Our BB-590/U military battery meets the Military Standards MIL-B-49436B.
- This is high performance rechargeable Nickel Cadmium battery
- Durable high impact plastic housing and connector enclosure
- High reliability due to all welded Construction
- Unit contains safety vented cells 100% final testing
- replacement for: BB-390A/U, BB-2590/U, BB-390B/U, BB-490/U, BA-5590/U, BA-5390/U, BA-5290/U, BA-3590/U, and variants.



Item	Specification
Voltage	Typical: 12.0V or 24.0V Final: 10.0V or 20.0V
Nominal Capacity	12V Mode: 9Ah at 0.9A to 10V at 23°C 24V Mode: 4.5Ah at 0.9A to 20V at 23°C
Max Discharge	6A continuous in 24V Mode 12 A continuous in 12V Mode
Pulse Capability (5 seconds)	Up to 18A continuous in 24V Mode Up to 36A continuous in 12V Mode
Weight	About 1600 grams
Dimensions	127*112*63mm
Operating Temp	-20 to +55 °C
Storage Temp	-30 to +45 °C
Exterior/Housing	Hard Plastic Case
Connector	6 pin polarized socked
APPLICATIONS	PRC-104, PRC-119 PRC-138, KY-57 Approximately 50 other military applications



CENTURY DYNAMICS, LLC

4. Rechargeable Battery TLI-718 (Meets U.S. Military Standards)

- NSN
- Our TLI-718/U military battery meets the Military Standards MIL-PRF-32383.
- •This is high performance rechargeable Lithium Ion battery with instantaneous start up.
- Durable high impact plastic housing and connector enclosure
- High capacity, performance verified, hermetically sealed, lithium-ion cells
- Protection against short circuit and improper charge.
- High reliability due to all welded Construction.
- Unit contains safety vented cells 100% final testing



Item	Specification
Voltage	Typical: 14.4V, Final: 10.0V
Nominal Capacity	5.0Ah at 1.0A to 10V at 23 °C
Max Discharge	5.0 A
Weight	About 500 grams
Dimensions	96.5*74.6*43.4mm
Operating Temp	-20 to +60 °C
Storage Temp	-30 to +60 °C
Exterior/Housing	Hard Plastic Case
Connector	The output is the shell type contact, the input for the metal contact
APPLICATIONS	Other equipment



CENTURY DYNAMICS, LLC



5. Non-Rechargeable Battery BA-3590/U (Meets U.S. Military Standards)

- Our BA-3590/U military battery meets the Military Standards MIL-B49030/10(EL).
- This is high performance non-rechargeable Alkaline battery
- Durable high impact plastic housing and connector enclosure
- High reliability due to all welded Construction
- Unit contains safety vented cells 100% final testing
- Replacement for: BB-390A/U, BB-2590/U, BB-590/U, BB-490/U, BA-5590/U, BA-5390/U, BA-5290/U, and variants.



Item	Specification
Voltage	Typical: 15.0V or 30.0V, Final: 10.0V or 20.0V
Nominal Capacity	15V Mode: 14.0Ah at 133.3Ω to 10V at 23°C 30V Mode: 7.0Ah at 133.3Ω to 20V at 23°C
Max Discharge	2.0 A continuous in 30V Mode 4.0 A continuous in 15V Mode
Pulse Capability (5 seconds)	Up to 2.5A continuous in 30V Mode Up to 5.0A continuous in 15V Mode
Weight	About 1700 grams
Dimensions	127*111*62mm
Operating Temp	-20°C to +55°C
Storage Temp	-40°C to +45°C
Exterior/Housing	Hard Plastic Case
Connector	6 pin polarized socked
APPLICATIONS	AN/PRC-119 SINCGARS Javelin Medium Anti-Tank CLU Approximately 50 other military applications



CENTURY DYNAMICS, LLC

WWW.CENTURYDYNAMICS.COM | WWW.CENTURY-DYNAMICS.COM
 4500 Mercantile Plaza, Suite 300 Fort Worth, TX, 76137, USA
 sales@century-dyanamics.com | Tel: 817-612-1500 | Fax: 817-887-1776
 DUNS# 079785337 | CAGE Code 7D4P2
 BBB A Rating | ITAR Registered | TRACE Certified

6. Non-Rechargeable Battery BA-5390/U (Meets U.S. Military Standards)

- Our BA-5390/U military battery meets the Military Standards MIL-B-49030(EL).
- This is high performance non-rechargeable Lithium Manganese Dioxide battery
- Durable high impact plastic housing and connector enclosure
- High reliability due to all welded Construction
- Unit contains safety vented cells and safety devices (fuse, TCO, diode)
- Gold plated contacts.
- 100% final testing
- Replacement for: BB-390A/U, BB-2590/U, BB-590/U, BB490/U,BA-5590/U, and variants.



Item	Specification
Voltage	Typical: 15.0V or 30.0V, Final: 10.0V or 20.0V
Nominal Capacity	15V Mode: 20Ah at 250mA to 10V at 23°C 30V Mode: 10Ah at 250mA to 20V at 23°C
Max Discharge	2.0 A continuous in 30V Mode 4.0 A continuous in 15V Mode
Pulse Capability (5 seconds)	Up to 2.5A continuous in 30V Mode Up to 5.0A continuous in 15V Mode
Weight	About 1400 grams
Dimensions	127*111*62mm
Operating Temp	-40°C to +72°C
Storage Temp	-40°C to +55°C
Exterior/Housing	Hard Plastic Case
Connector	6 pin polarized socked
APPLICATIONS	AN/PRC-119 SINGARS Javelin Medium Anti-Tank CLU Approximately 50 other military applications



CENTURY DYNAMICS, LLC

7. Non-Rechargeable Battery BA-5590/U (Meets U.S. Military Standards)

- Our BA-5590/U military battery meets the Military Standards MILPRF-49471.
- This is high performance non-rechargeable Lithium Sulfur Dioxide battery
- Durable high impact plastic housing and connector enclosure
- High reliability due to all welded Construction
- Unit contains safety vented cells and safety devices (fuse, TCO, diode)
- Gold plated contacts.
- 100% final testing
- Replacement for: BB-390A/U, BB-2590/U, BB-590/U, BB-490/U, BA-5390/U, and variants.



Item	Specification
Voltage	Typical: 14.0V or 28.0V, Final: 10.0V or 20.0V
Nominal Capacity	14V Mode: 12.8Ah at 2A to 10V at 23°C 28V Mode: 6.4Ah at 2A to 20V at 23°C
Max Discharge	2.0 A continuous in 28V Mode 4.0 A continuous in 14V Mode
Pulse Capability (5 seconds)	Up to 2.5A continuous in 28V Mode Up to 5.0A continuous in 14V Mode
Weight	About 1100 grams
Dimensions	127*111*62mm
Operating Temp	-30°C to +70°C
Storage Temp	-30°C to +55°C
Exterior/Housing	Hard Plastic Case
Connector	6 pin polarized socked
APPLICATIONS	AN/PRC-119 SINGARS Javelin Medium Anti-Tank CLU Approximately 50 other military applications



CENTURY DYNAMICS, LLC

8. Non-Rechargeable Battery BA-3791/U (Meets U.S. Military Standards)

- Our BA-3791 military battery meets the Military Standards MIL-B-49030(EL).
- This is high performance non-rechargeable Alkaline battery
- Durable high impact plastic housing and connector enclosure
- High reliability due to all welded Construction
- Unit contains safety vented cells 100% final testing
- Replacement for: TNC-2188, and variants



Item	Specification
Voltage	Typical: 15.0V, Maximum: 16.5V, Final: 10.0V
Nominal Capacity	16.0Ah at 23°C, Minimum run time of 20 hours under simulated load conditions
Weight	Max 1650 grams
Dimensions	187*71*65mm
Self-discharge rate	Less than 1.0% per month
Operating Temp	-20°C to +55°C
Storage Temp	-40°C to +45°C
Exterior/Housing	Hard Plastic Case
Connector	2 pin polarized socked
APPLICATIONS	PRC-80 PRC-730 PRC-2200



CENTURY DYNAMICS, LLC

9. Rechargeable Battery BB-2791 (Meets U.S. Military Standards)

- NSN: 6140-01-553-3527
- Our BB-2590/U military battery meets the Military Standards MIL-PRF32383
- This is high performance rechargeable Lithium Ion battery with instantaneous start up.
- Dual state of charge “gas gauge” LCD displays
- SMBUS data communication
- Durable high impact plastic housing and connector enclosure
- High capacity, performance verified, hermetically sealed, lithium-ion
- Protection against short circuit and improper charge
- High reliability due to all welded Construction
- Unit contains safety vented cells 100% final testing
- Replacement for: BA-3791, TNC-2188, and variants

Item	Specification
Voltage	Typical: 14.4V , Final: 10.0V
Nominal Capacity	15.6Ah at 3.0A to 10V at 23 °C
Max Discharge	15.0 A
Pulse Capability	20A
Weight	About 1300 grams
Dimensions	187.0*71.5*65.0mm
Operating Temp	-20 to +60 °C
Storage Temp	-30 to +60 °C
Exterior/Housing	Hard Plastic Case
Connector	2 pin polarized socked
APPLICATIONS	PRC-80, PRC-730 , PRC-2200 Other equipment



CENTURY DYNAMICS, LLC

10. Rechargeable Battery TLI-9380E (Meets U.S. Military Standards)

- NSN:
- Our TLI-9380E military battery meets the Military Standards MILPRF-32383.
- This is high performance rechargeable Lithium Ion battery with instantaneous start up.
- Durable high impact plastic housing and connector enclosure
- High capacity, performance verified, hermetically sealed, lithium-ion cells
- Protection against short circuit and improper charge.
- High reliability due to all welded Construction.
- Unit contains safety vented cells 100% final testing



Item	Specification
Voltage	Typical: 14.4V, Final: 10.0V
Nominal Capacity	15.6Ah at 3.0A to 10V at 23 °C
Max Discharge	7.5 A continuous
Pulse Capability	15A
Weight	About 1400 grams
Dimensions	187*70.6*65.0mm
Operating Temp	-20 to +60 °C
Storage Temp	-30 to +60 °C
Exterior/Housing	Hard Plastic Case
Connector	3 pin polarized socked
APPLICATIONS	Other equipment



CENTURY DYNAMICS, LLC

11. Charger JP-CH0003 (Meets U.S. Military Standards)

- NSN:



Item	Specification
AC Input	95-260VAC, 47-63Hz
Charge Rate	2.0A (Max)
Battery Types	Any combination of the following batteries: BB-390/U - (NiMH), BB-590/U - (NiCd), BB-2590 / U-Lithium-Ion (Li-ion)
User Interface	Off: No battery detected, Green Blinking: Charging, Green Steady On: Charge complete, Red Blinking: Error
Dimensions	L7.21 inch*W3.82 inch*D1.61 inch (183*97*41mm)
Weight	1.5Kg (3.30lbs) without batteries
Charging Temp	0 to +45 Degrees Celsius
Storage Temp	-25 to +70 Degrees Celsius
Operating Altitude	55,000 ft. (16,764m)
Storage Altitude	27,000 ft. (8,229.6m)
Humidity	95% relative
Accessories	Accessories



CENTURY DYNAMICS, LLC

12. Intelligent Robot Battery JP80198320

- Our JP80198320 battery meets the Battery Standards GB 31241- 2014.
- This is high performance rechargeable Lithium Ion battery with instantaneous start up.
- Durable high impact steel housing and connector enclosure
- High capacity, performance verified, hermetically sealed, lithium-ion cells
- Protection against short circuit and improper charge.
- High reliability due to all welded Construction.
- Unit contains safety vented cells 100% final testing



Item	Specification
Voltage	Typical: 46.8V, Final: 35.0V
Nominal Capacity	30.0Ah at 6.0A to 35.0V at 23 °C
Max Discharge	30.0A continuous
Pulse Capability	50.0A
Weight	About 13.5 kg
Dimensions	320*198*80mm
Operating Temp	-20 to +60 °C
Storage Temp	-20 to +45 °C
Exterior/Housing	Hard steel Case
Connector	2 PCS 40A Anderson connectors
Data communications	RS485, 2PIN aviation connectors
APPLICATIONS	Obstacle removal robot



CENTURY DYNAMICS, LLC

13. Intelligent Robot Battery JP140145305

- Our JP140145305 battery meets the Battery Standards GB 31241- 2014.
- This is high performance rechargeable Lithium Ion battery with instantaneous start up.
- Durable high impact aluminum alloy housing and connector enclosure
- High capacity, performance verified, hermetically sealed, lithium-ion cells.
- Protection against short circuit and improper charge.
- High reliability due to all welded Construction.
- Unit contains safety vented cells 100% final testing



Item	Specification
Voltage	Typical: 25.2V, Final: 19.0V
Nominal Capacity	54.6Ah at 10.9A to 19.0V at 23 °C
Max Discharge	15.0A continuous
Pulse Capability	30.0A
Weight	About 11.5 kg
Dimensions	305*145*140mm (Shell free)
Operating Temp	-20 to +60 °C
Storage Temp	-20 to +45 °C
Exterior/Housing	Hard aluminum alloy Case
Connector	4 pin waterproof connectors
Data communications	RS485, 2PIN waterproof connectors
APPLICATIONS	Grid inspection robot



CENTURY DYNAMICS, LLC

14. Intelligent Robot Battery JP5193190

- Our JP5193190 battery meets the Battery Standards GB 31241- 2014.
- This is high performance rechargeable Lithium Ion battery with instantaneous start up.
- Durable high impact aluminum alloy housing and connector enclosure
- High capacity, performance verified, hermetically sealed, lithium-ion cells
- Protection against short circuit and improper charge.
- High reliability due to all welded Construction
- Unit contains safety vented cells 100% final testing



Item	Specification
Voltage	Typical: 25.2V, Final: 19.0V
Nominal Capacity	9.0Ah at 1.8A to 19.0V at 23 °C
Max Discharge	15.0A continuous
Pulse Capability	20.0A
Weight	About 1.8 kg
Dimensions	190*93*51mm
Operating Temp	-20 to +60 °C
Storage Temp	-20 to +45 °C
Exterior/Housing	Hard aluminum alloy Case
Connector	D9 5+2 large current and data communication connectors
Data communications	RS485
APPLICATIONS	Caterpillar robot



CENTURY DYNAMICS, LLC

WWW.CENTURYDYNAMICS.COM | WWW.CENTURY-DYNAMICS.COM
 4500 Mercantile Plaza, Suite 300 Fort Worth, TX, 76137, USA
 sales@century-dyanamics.com | Tel: 817-612-1500 | Fax: 817-887-1776
 DUNS# 079785337 | CAGE Code 7D4P2
 BBB A Rating | ITAR Registered | TRACE Certified

15. Energy Storage Battery JP230410700

- Our JP230410700 battery meets the Battery Standards GB 31241-2014.
- This is high performance rechargeable Lithium Ion battery with instantaneous start up.
- Durable stainless steel case and connector enclosure
- High capacity, performance verified, hermetically sealed, lithium-ion cells.
- Protection against short circuit and improper charge.
- High reliability due to all welded Construction.
- Unit contains safety vented cells 100% final testing



Item	Specification
Voltage	Typical: 51.2V, Final: 40.0V
Nominal Capacity	150.0Ah at 30.0A to 40.0V at 23 °C
Max Discharge	100.0 A continuous
Pulse Capability	150.0A
Weight	About 85.0 kg
Dimensions	700*410*230mm
Operating Temp	-20 to +60 °C
Storage Temp	-20 to +45 °C
Exterior/Housing	Stainless steel Case
Connector	2 pin polarized socked
APPLICATIONS	Standby power supply for test equipment



CENTURY DYNAMICS, LLC

16. Energy Storage Battery JP140140400

- Our JP140140400 battery meets the Battery Standards GB 31241-2014.
- This is high performance rechargeable Lithium Ion battery with instantaneous start up.
- Durable steel case and connector enclosure
- High capacity, performance verified, hermetically sealed, lithium-ion cells.
- Protection against short circuit and improper charge.
- High reliability due to all welded Construction.
- Unit contains safety vented cells 100% final testing



Item	Specification
Voltage	Typical: 21.6V, Final: 15.0V
Nominal Capacity	80.0Ah at 16.0A to 15.0V at 23 °C
Max Discharge	16.0 A continuous
Pulse Capability	30.0A
Weight	About 14.5 kg
Dimensions	400*140*140mm
Operating Temp	-20 to +60 °C
Storage Temp	-20 to +45 °C
Exterior/Housing	Steel Case
Connector	2*4 pin waterproof connectors
APPLICATIONS	Standby power supply for test equipment



CENTURY DYNAMICS, LLC

WWW.CENTURYDYNAMICS.COM | WWW.CENTURY-DYNAMICS.COM
 4500 Mercantile Plaza, Suite 300 Fort Worth, TX, 76137, USA
 sales@century-dyanamics.com | Tel: 817-612-1500 | Fax: 817-887-1776
 DUNS# 079785337 | CAGE Code 7D4P2
 BBB A Rating | ITAR Registered | TRACE Certified

17. Energy Storage Battery JP4850

- Our JP4850 battery meets the Battery Standards GB 31241-2014.
- This is high performance rechargeable Lithium Ion battery with instantaneous start up.
- Durable aluminum alloy case and connector enclosure
- High capacity, performance verified, hermetically sealed, lithium-ion cells.
- Protection against short circuit and improper charge.
- High reliability due to all welded Construction.
- Unit contains safety vented cells 100% final testing



Item	Specification
Voltage	Typical: 51.2V, Final: 40.0V
Nominal Capacity	50.0Ah at 10.0A to 40.0V at 23 °C
Max Discharge	50.0 A continuous
Pulse Capability	60.0A
Weight	About 28.0 kg
Dimensions	550*450*88mm
Operating Temp	-20 to +60 °C
Storage Temp	-20 to +45 °C
Exterior/Housing	Aluminum alloy Case
Connector	2*1 pin connectors
Data communications	RS485 and RS232
APPLICATIONS	Solar energy storage power station



CENTURY DYNAMICS, LLC

18. Energy Storage Battery JP190360360

- Our JP190360360 battery meets the Battery Standards GB 31241-2014.
- This is high performance rechargeable Lithium Ion battery with instantaneous start up.
- Durable steel case and connector enclosure
- High capacity, performance verified, hermetically sealed, lithium-ion cells.
- Protection against short circuit and improper charge.
- High reliability due to all welded Construction.
- Unit contains safety vented cells 100% final testing



Item	Specification
Voltage	Typical: 32.0V, Final: 25.0V
Nominal Capacity	123.0Ah at 24.6.0A to 25.0V at 23 °C
Max Discharge	16.0 A continuous
Pulse Capability	30.0A
Weight	About 14.5 kg
Dimensions	360*360*190mm
Operating Temp	-20 to +60 °C
Storage Temp	-20 to +45 °C
Exterior/Housing	Steel Case
Connector	2 pin Anderson connectors (120A)
Data communications	RS485, 2PIN aviation connectors
APPLICATIONS	Standby power supply for test equipment



CENTURY DYNAMICS, LLC

19. Charger JP-CH0002 (Meets U.S. Military Standards)



Item	Specification
AC Input	95-260VAC, 47-63Hz
DC Input	19 to 30VDC
Charge Rate	2.0A (Max)
Battery Types	Any combination of the following batteries: BB-390/U - (NiMH), BB-590/U - (NiCd), BB-2590 / U-Lithium-Ion (Li-ion)
User Interface	Off: No battery detected, Green Blinking: Charging, Green Steady On: Charge complete, Red Blinking: Error
Dimensions	L7.21 inch*W3.82 inch*D1.61 inch (183*97*41mm)
Weight	0.75Kg (1.65lbs) without batteries
Charging Temp	0 to +45 Degrees Celsius
Storage Temp	-25 to +70 Degrees Celsius
Operating Altitude	55,000 ft. (16,764m)
Storage Altitude	27,000 ft. (8,229.6m)
Humidity	95% relative
Accessories:	AC and DC Cables



CENTURY DYNAMICS, LLC

20. Charger JP-CH0004 (Meets U.S. Military Standards)

Item	Specification
AC Input	95-260VAC, 50-60Hz
DC Input	12 to 36VDC
Charge Rate	2.0A (Max)
Battery Types	Any combination of the following batteries: BB-390/U - (NiMH), BB-590/U - (NiCd), BB-2590 / UBI-2590 (UBBL02) / MRC-2590 /UBBL09 / UBI-2590 SMBus (UBBL10) -Lithium-Ion (Li-ion)
User Interface	Battery type, charging, discharge, 90% Charged
Dimensions	L14 inch*W12 inch*D6 inch (35.56*30.48*15.24cm)
Weight	5.44Kg (12lbs) without batteries
Charging Temp	0 to +45 Degrees Celsius
Storage Temp	-50 to +60 Degrees Celsius
Operating Altitude	55,000 ft. (16,764m)
Storage Altitude	27,000 ft. (8,229.6m)
Humidity	95% relative
Accessories:	AC and DC Cables



CENTURY DYNAMICS, LLC

21. Charger JP07S50A

Item	Specification
AC Input	180-264VAC, 47-63Hz
Charge Rate	50.0A (Max)
Battery Types	22.4V330Ah
User Interface	LED indication: Power on-- Green, Charging--Red, Fully charged-- Green, Abnormal state-- Red flash
Dimensions	L294.0mm*W140.0mm*D90.0mm
Weight	4.5Kg without batteries
Charging Temp	0 to +45 Degrees Celsius
Storage Temp	-25 to +70 Degrees Celsius
Operating Altitude	55,000 ft. (16,764m)
Storage Altitude	27,000 ft. (8,229.6m)
Humidity	95% relative
Accessories:	AC and DC Cables



CENTURY DYNAMICS, LLC

WWW.CENTURYDYNAMICS.COM | WWW.CENTURY-DYNAMICS.COM
 4500 Mercantile Plaza, Suite 300 Fort Worth, TX, 76137, USA
 sales@century-dyanamics.com | Tel: 817-612-1500 | Fax: 817-887-1776
 DUNS# 079785337 | CAGE Code 7D4P2
 BBB A Rating | ITAR Registered | TRACE Certified

22. Charger JP13S10A

Item	Specification
AC Input	180-264VAC, 47-63Hz
Charge Rate	10.0A (Max)
Battery Types	48V30Ah
User Interface	LED indication: Power on-- Green, Charging--Red, Fully charged-- Green, Abnormal state-- Red flash
Dimensions	L155.0mm*W140.0mm*D85.0mm
Weight	1.5Kg without batteries
Charging Temp	0 to +45 Degrees Celsius
Storage Temp	-25 to +70 Degrees Celsius
Operating Altitude	55,000 ft. (16,764m)
Storage Altitude	27,000 ft. (8,229.6m)
Humidity	95% relative
Accessories:	AC and DC Cables



CENTURY DYNAMICS, LLC

WWW.CENTURYDYNAMICS.COM | WWW.CENTURY-DYNAMICS.COM
 4500 Mercantile Plaza, Suite 300 Fort Worth, TX, 76137, USA
 sales@century-dyanamics.com | Tel: 817-612-1500 | Fax: 817-887-1776
 DUNS# 079785337 | CAGE Code 7D4P2
 BBB A Rating | ITAR Registered | TRACE Certified

23. BB-2590/U SMBUS



- NSN 6140-01-490-4316 High performance rechargeable Lithium Ion battery with instantaneous start up.
- Dual state of charge “gas gauge” 2 separate 5 segment LCD’s with constant display.
- This product complies with SMBus v1.1, SBDData v1.1.
- Durable high impact plastic housing and connector enclosure • High capacity, performance verified, hermetically sealed, lithium-ion cells.
- Protection against short circuit and improper charge This battery meets the requirements of MIL-PRF-32052(CR), MIL/PRF-32052/1 & TRCEOMBB01 for:
- Battery voltage • Cycle life • Immersion • Mechanical and thermal shock. Vibration • Insulation resistance • High rate discharge • Low temp. discharge • Full capacity discharge.
- For use in SINGARS & ATCS(PRC-104, 117, 119), Falcon (PRC-138, 117) KY-57, MXF430(V), AN/PSC-5, M22 & other equipment.
- Replacement for BB-2590/U, BB-390A/U, BB-390B/U, BB-490/U, BB-590/U, BA-5290/U, BA-5590/U, NSN: 6140-99-676-4908 Cell chemistry Lithium Ion Nominal voltage 28.8V or two 14.4V sections depending on connection Typical capacity 7.5Ah @ 24V, 15.0Ah @ 12V Max discharge 20.0A in 12V mode, 10.0A in 24V mode Max pulse discharge 36.0A in 12V mode, 18.0A in 24V mode Nominal dimensions 62 x 112 x 127 mm Nominal weight 1.30kg Connector Floating type per U.S Army DWG # SC-C-179495 Case material Modified ABS, desert tan Operating temperature -20oC to +60oC Shelf Life Five (5) years under controlled storage. Disposal Check with local regulations



CENTURY DYNAMICS, LLC

WWW.CENTURYDYNAMICS.COM | WWW.CENTURY-DYNAMICS.COM
 4500 Mercantile Plaza, Suite 300 Fort Worth, TX, 76137, USA
 sales@century-dyanamics.com | Tel: 817-612-1500 | Fax: 817-887-1776
 DUNS# 079785337 | CAGE Code 7D4P2
 BBB A Rating | ITAR Registered | TRACE Certified

24. BB-2590/U SMBUS



Intelligent BB2590 two way charger Soldier Portable Charger with X90 adapter AC and DC power cables can Charges 2 batteries simultaneously with an easy to follow LED lighting sequence. so it provide high power output for batteries ,which developed by Golden battery company can be any combination of the following batteries: BB-390/U - (NiMH), BB-590/U - (NiCd), BB-2590 / UBI-2590 (UBBL02) / MRC-2590 /UBBL09 / UBI-2590 SMBus (UBBL10) - Lithium-Ion (Li-ion), the storage temperature can -25 to +70 Degrees Celsius which meet the environment in some extreme weather and place.

Intelligent bb2590 two-way charger Soldier Portable Charger



NO.	Item	Specification
1	AC Input	95-260VAC, 47-63Hz
2		
3	Charge Rate	2.0A (Max)
4	Battery Types	Any combination of the following batteries: BB-390/U - (NiMH), BB-590/U - (NiCd), BB-2590 / UBI-2590 (UBBL02) / MRC-2590 /U BBL09 / UBI-2590 SMBus (UBBL10) -Lithium-Ion (Li-ion)
5	User Interface	Off: No battery detected, Green Blinking: Charging, Green Steady On: Charge complete, Red Blinking: Error
6	Dimensions	L7.21 inch*W3.82 inch*D1.61 inch (183*97*41mm)
7	Weight	1.5Kg (3.30lbs) without batteries
8	Charging Temp	0 to +45 Degrees Celsius
9	Storage Temp	-25 to +70 Degrees Celsius
10	Operating Altitude	55,000 ft. (16,764m)
11	Storage Altitude	27,000 ft. (8,229.6m)
12	Humidity	95% relative
13	Accessories	AC and DC Cables



CENTURY DYNAMICS, LLC

WWW.CENTURYDYNAMICS.COM | WWW.CENTURY-DYNAMICS.COM
 4500 Mercantile Plaza, Suite 300 Fort Worth, TX, 76137, USA
 sales@century-dyanamics.com | Tel: 817-612-1500 | Fax: 817-887-1776
 DUNS# 079785337 | CAGE Code 7D4P2
 BBB A Rating | ITAR Registered | TRACE Certified



Thank you!

CENTURY DYNAMICS, LLC

WWW.CENTURYDYNAMICS.COM

WWW.CENTURY-DYNAMICS.COM

4500 Mercantile Plaza, Suite 300 Fort Worth, TX, 76137, USA

sales@century-dyanamics.com | Tel: 817-612-1500 | Fax: 817-887-1776

DUNS# 079785337 | CAGE Code 7D4P2

BBB A Rating | ITAR Registered | TRACE Certified

