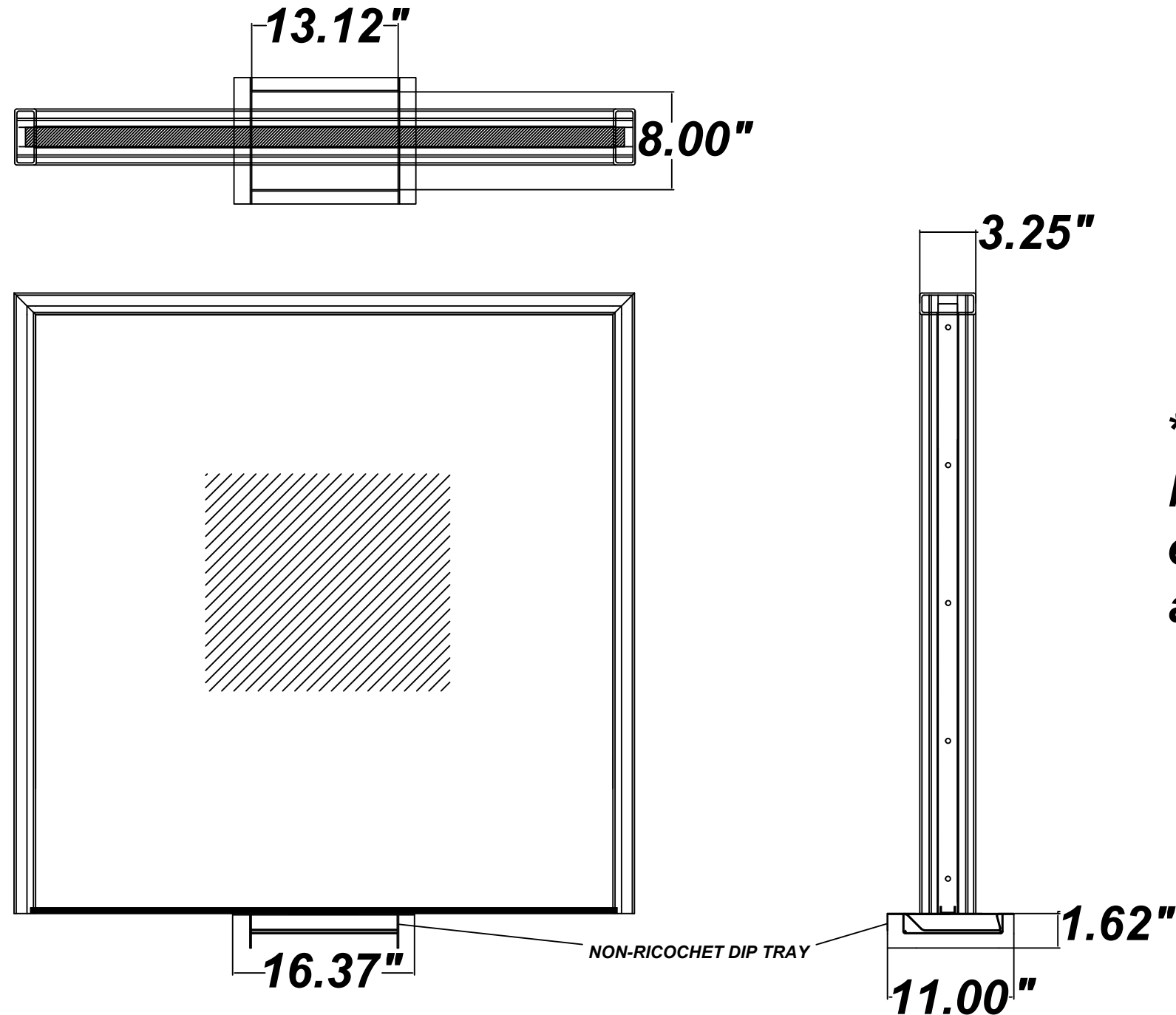


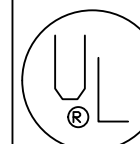
NTW BULLET RESISTANT WINDOW/FRAME ASSEMBLIES

WITH NDT DEAL TRAY



****Assemblies that do not have ballistic framing covering all edges of glazing will not bear a label***

FILE NO. BP1942
SECURITY



LISTED



CHICAGO BULLET PROOF SYSTEMS, INC
2595 BOND ST. UNIVERSITY PARK, IL. 60484

708-534-9102

WWW.CHICAGOBULLETPROOF.COM