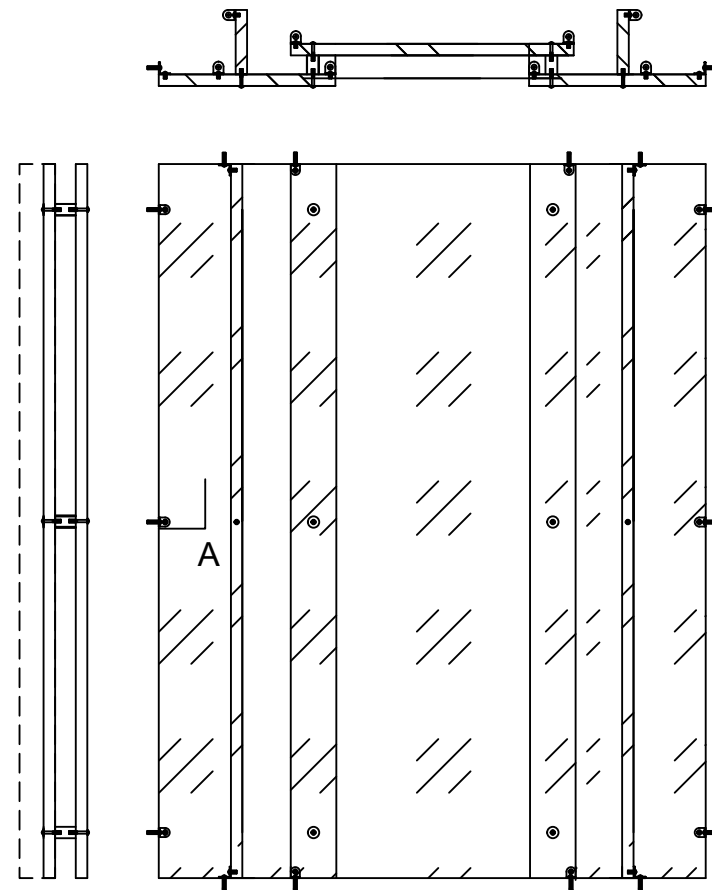
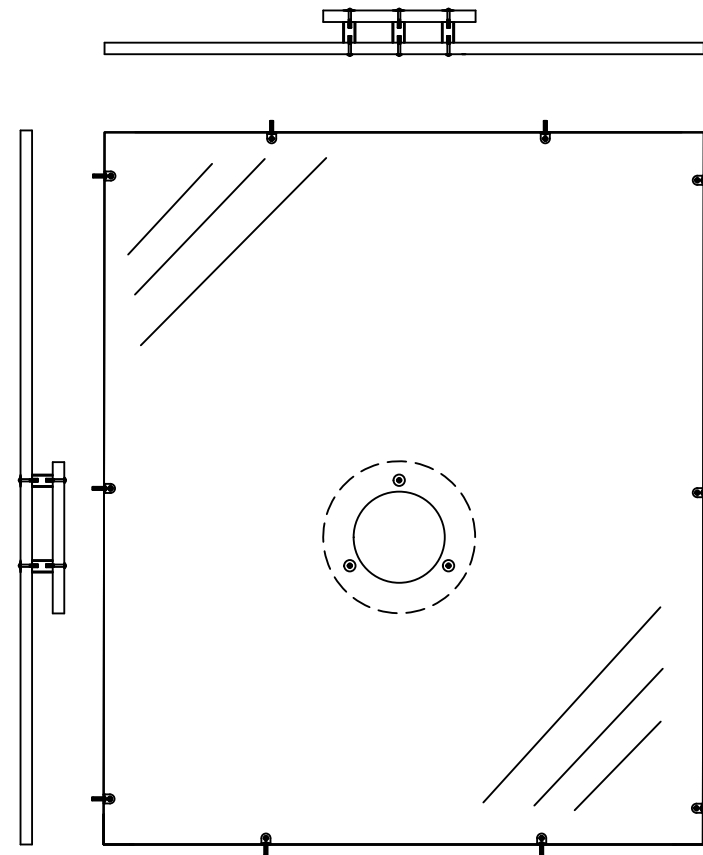


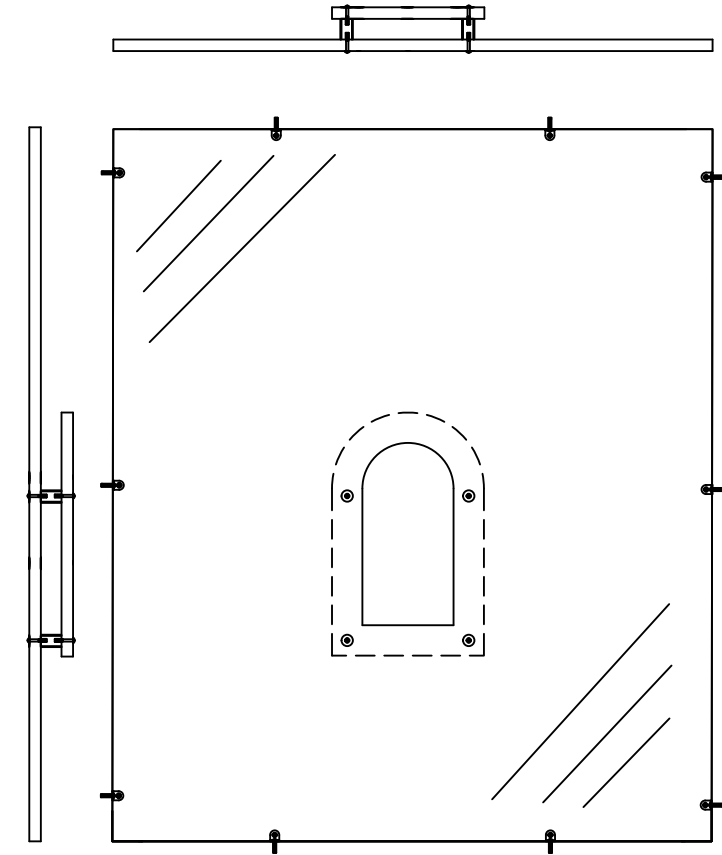
# BULLET RESISTANT TRANSPARENT BARRIER SYSTEMS



BAFFLE CONFIGURATION



HOLE & BACKER



ARCHED HOLE & BACKER

CBP BULLET RESISTANT TRANSPARENT BARRIER SYSTEMS ARE COMPOSED OF BALLISTIC ACRYLIC AND LAMINATED POLYCARBONATE MATERIALS THAT ARE YIELDED FROM STANDARD SHEET SIZES. CONTACT CBP TO ASSIST WITH DESIGN TO REDUCE MATERIAL WASTE AND COST.

THESE SYSTEMS ARE COMPOSED OF BULLET RESISTANT GLAZING MATERIALS BUT DO NOT MEET ALL ASPECTS OF UL 752 STANDARDS. ALL GLAZING MATERIALS ARE TESTED IN 12" SQUARE SAMPLES AND THREE TEST ROUNDS ARE FIRED IN A FOUR INCH TRIANGLE FOR EACH RESPECTIVE BALLISTIC LEVEL (LEVEL 1 - 9mm 124 gr. FMJ LEAD CORE, LEVEL 2 - .357 mag. 240 gr. JSP, LEVEL 3 - .44 mag. 240 gr. Gas Checked SWC).

**MATERIALS AVAILABLE:**

**ACRYLIC:**

- BR LEVEL 1 ACRYLIC 1-1/4" THICK
- BR LEVEL 2 ACRYLIC 1-3/8" THICK
- BR LEVEL 3 ACRYLIC 1-5/8" THICK

**LAMINATED POLYCARBONATE:**

- BR LEVEL 1 LAMINATED POLYCARBONATE 3/4" THICK
- BR LEVEL 2 LAMINATED POLYCARBONATE 1" THICK
- BR LEVEL 3 LAMINATED POLYCARBONATE 1-1/4" THICK



CHICAGO BULLET PROOF SYSTEMS, INC  
 2595 BOND ST. UNIVERSITY PARK, IL. 60484  
 708-534-9102  
 WWW.CHICAGOBULLETPROOF.COM