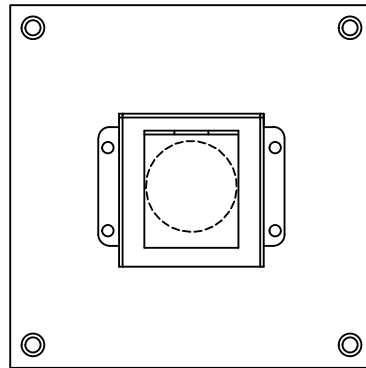


**\*CONTACT CBP FOR UL CERTIFICATION AND OTHER BALLSITIC LEVELS**

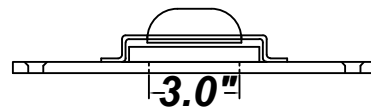
# GP3

**BULLET RESISTANT  
GUNPORT**

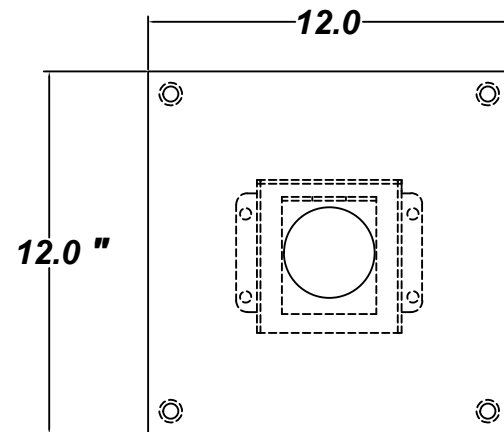
## (WALL MOUNT)



**INTERIOR ELEVATION**

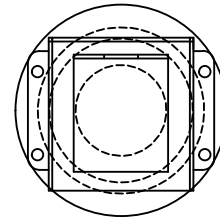


**PLAN**

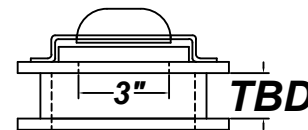


**ATTACK SIDE**

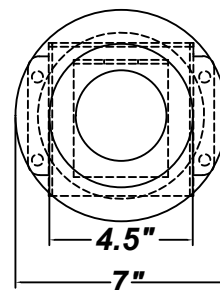
## (GLASS MOUNT)



**INTERIOR ELEVATION**



**PLAN**



**ATTACK SIDE**

### **MODEL GP3 SERIES GUNPORT ASSEMBLIES:**

- AVAILABLE WITH WALL OR GLASS MOUNT'
- STANDARD MODEL FEATURES 3" WEAPONS OPENING / CUSTOM SIZES AVAILABLE
- VERTICALLY ACTING SPRING-LOADED TRIGGER PLATE AUTOMATICALLY COVERS THE FIRING PORT WHEN NOT IN USE.
- OPERATION CONSISTS OF DEPRESSING THE TRIGGER PLATE INWARD WHILE PUSHING THE SLIDE DOWN AND INSERTING THE MUZZLE OF THE WEAPON.
- SLIDE MECHANISM IS TAMPER-RESISTANT FROM THE THREAT SIDE

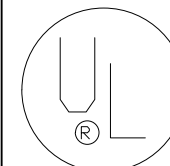
### **MATERIAL/FINISHES:**

- CONSTRUCTED FROM CBP'S CERTIFIED SHOT-TEX BRAND BULLET RESISTANT STEEL.
- GUNPORT AND SLIDE ARE SATIN STAINLESS STEEL FINISH
- WALL MOUNTING PLATE IS PRIME PAINTED, ADDITIONAL STAINLESS STEEL COVER PLATE IS AVAILABLE.
- GLASS MOUNTING RING IS SATIN STAINLESS STEEL WITH A BRUSHED CROME COVER.

### **INSTALLATION:**

- INSTALL WALL MOUNT BY ANCHORING THE UNIT TO THE WALL WITH FOR 3/8" DIAMETER BOLT ANCHORS (NOT SUPPLIED BY FACTORY).
- INSTALL GLASS MOUNT BY DISASSEMBLING INNER AND OUTER RING, INSERTING THE OUTER RING THROUGH THE HOLE PREPARED IN THE GLAZING, AND REASSEMBLING THE INNER AND OUTER RINGS.

FILE NO. BP1942  
SECURITY



LISTED



CHICAGO BULLET PROOF SYSTEMS, INC  
2595 BOND ST. UNIVERSITY PARK, IL. 60484

708-534-9102

WWW.CHICAGOBULLETPROOF.COM