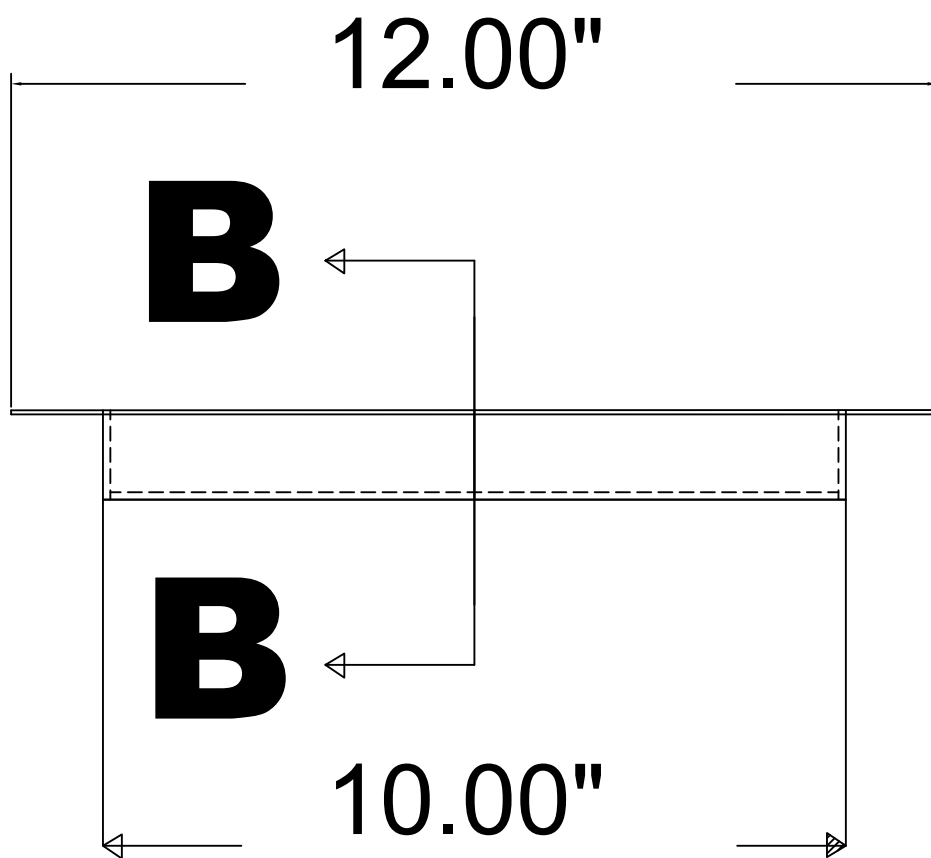
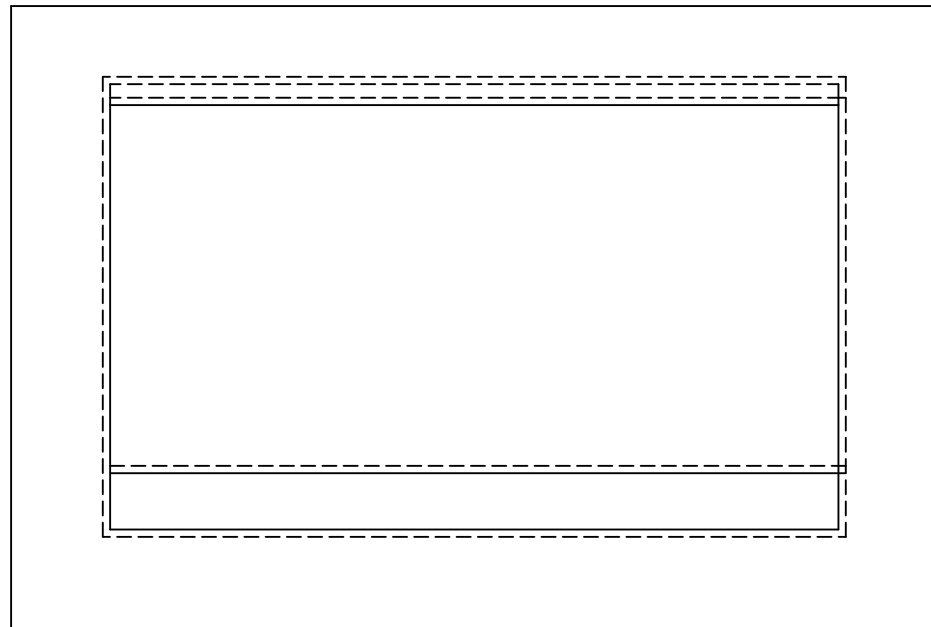


# CYRUS ONE AURORA CUSTOM SIZE



# **NDT** BULLET RESISTANT NON-RICOCHET DEAL TRAY

**Scale: None**

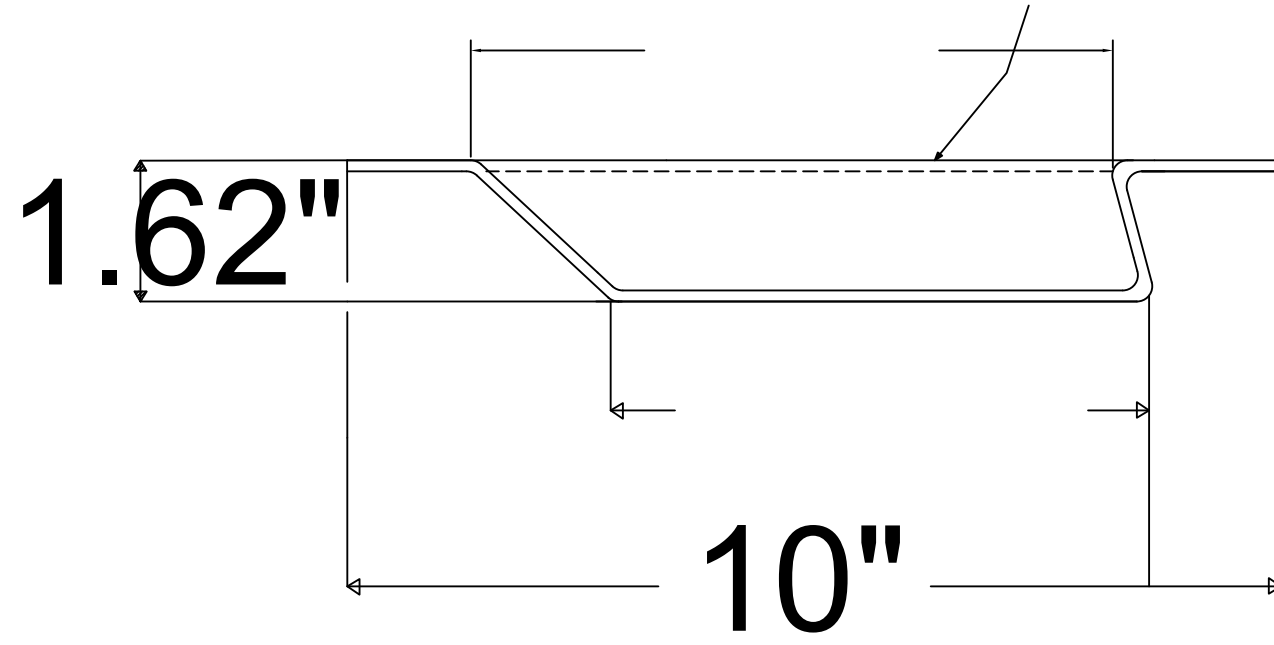
FILE NO. BP1942  
SECURITY



CHICAGO BULLET PROOF SYSTEMS, INC  
2595 BOND ST. UNIVERSITY PARK, IL. 60484  
708-534-9102  
WWW.CHICAGOBULLETPROOF.COM

<b>MATERIAL</b> SHOT-TEX 1S-1S	<b>UL LEVEL</b> 1-3	<b>DEAL TRAY</b> SST NO.4 FINISH	<b>DRAWN BY</b> RANDY R.
--------------------------------------	------------------------	-------------------------------------	-----------------------------

(DEAL TRAY 11GA. SST  
DIRECTIONAL NO. 4 FINISH)



**SECT B-B**