

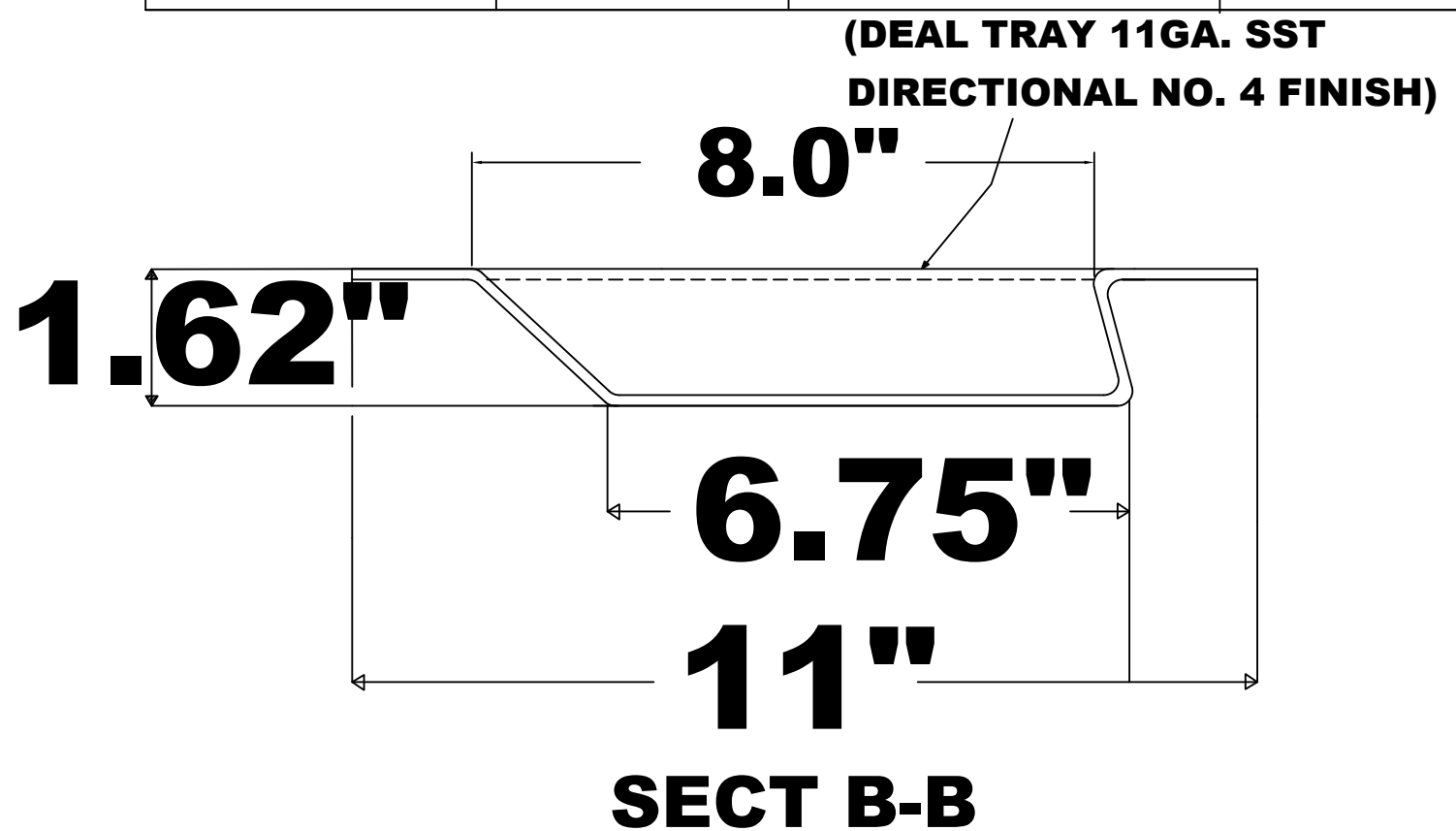
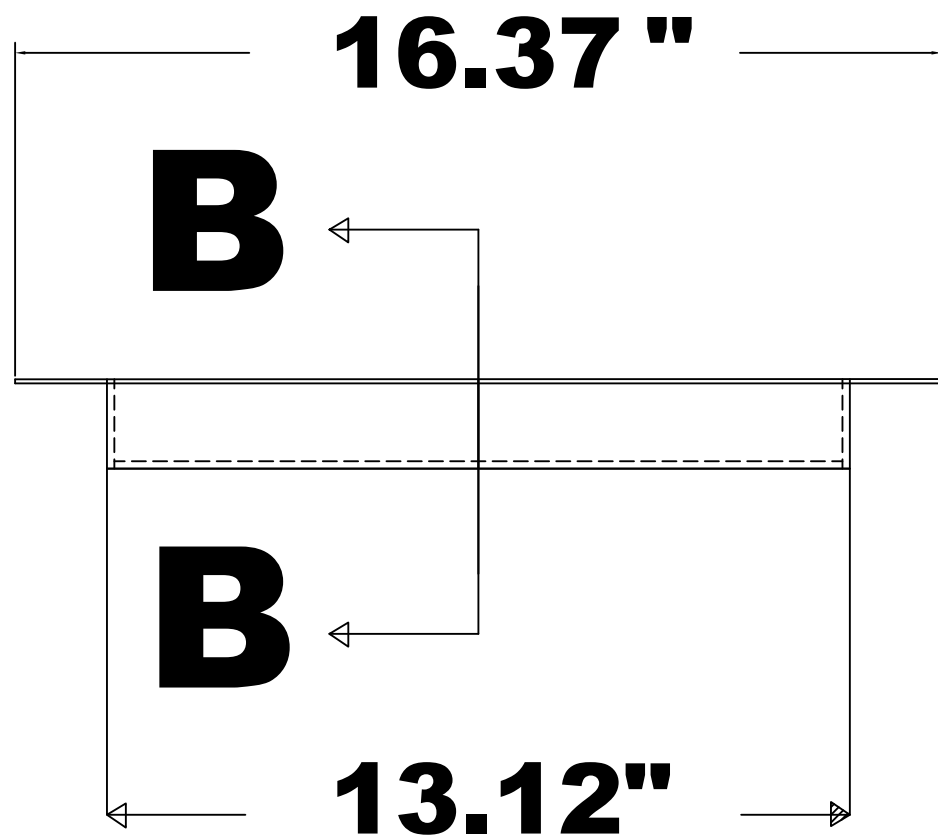
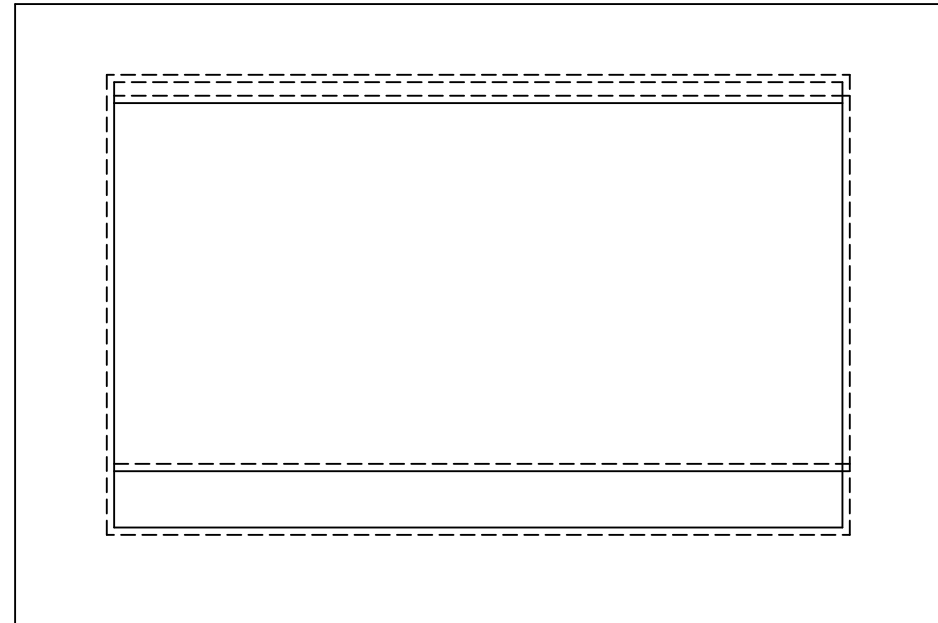
NDT BULLET RESISTANT NON-RICOCHET DEAL TRAY

Scale: None

FILE NO. BP1942
SECURITY



CHICAGO BULLET PROOF SYSTEMS, INC
2595 BOND ST. UNIVERSITY PARK, IL. 60484
708-534-9102
WWW.CHICAGOBULLETPROOF.COM



MATERIAL SHOT-TEX 1S-1S	UL LEVEL 1-3	DEAL TRAY SST NO.4 FINISH	DRAWN BY RANDY R.
--------------------------------------	------------------------	-------------------------------------	-----------------------------

(DEAL TRAY 11GA. SST
DIRECTIONAL NO. 4 FINISH)