

CUSTOM SIZES AVAILABLE

CONTACT CBP FOR GLAZING TYPES AND SIZE RESTRICTIONS

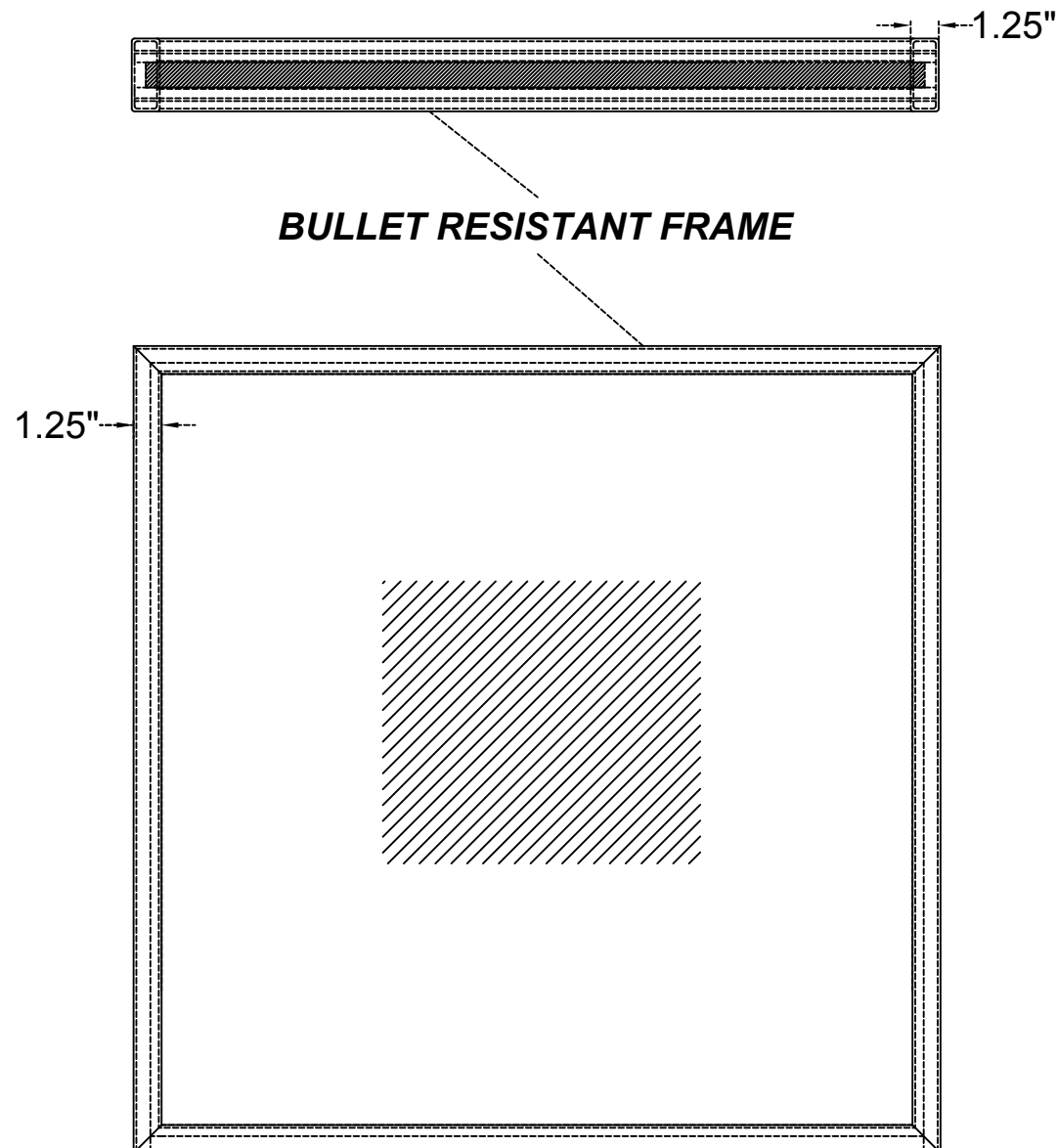
(Mullions may be required for window sizes over 61-1/2" x 85-1/2")

CBP Model NVL

Bullet Resistant Narrow Profile Vision Window

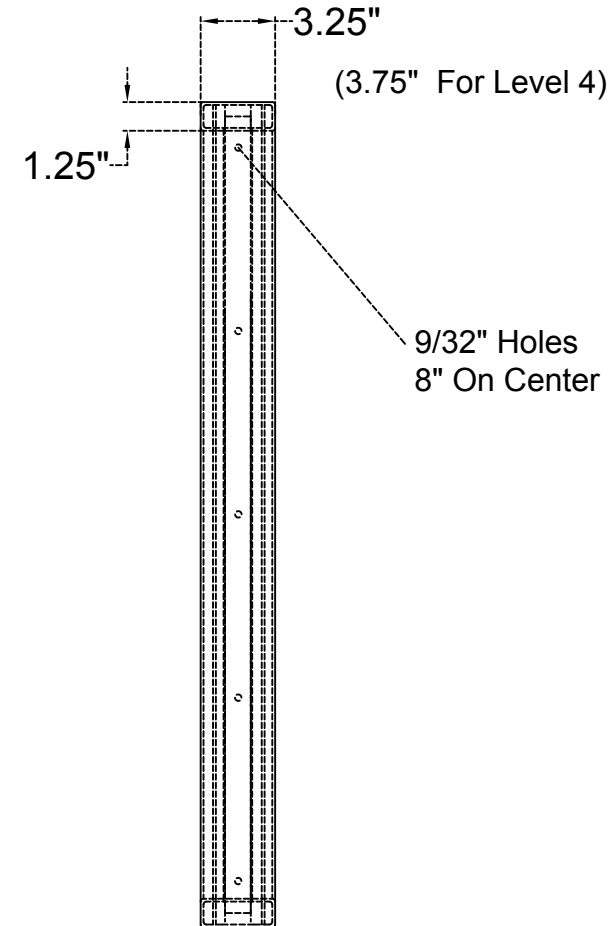
UL 752 Listed and Labeled Levels 1-4, & 6

(A label bearing certification is affixed to the protected side of the frame)

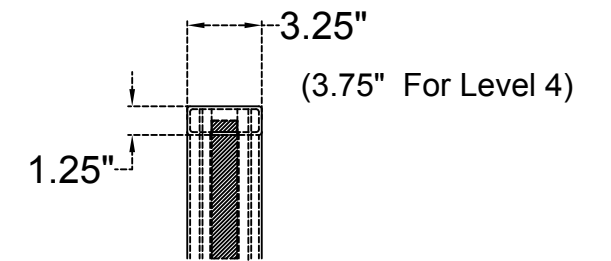


BULLET RESISTANT FRAME

ELEVATION



END VIEW



HEAD/JAMB/SILL SECTION

FILE NO. BP1942 SECURITY  LISTED		 CHICAGO BULLET PROOF SYSTEMS, INC 2595 BOND ST. UNIVERSITY PARK, IL. 60484 708-534-9102 WWW.CHICAGOBULLETPROOF.COM	
<h3>NVL WINDOW</h3>			
MATERIAL: SHOT-TEX		FINISH: PRIME PAINTED, POWDER COATED, OR STAINLESS STEEL	
DWG. NO.: NVL	REVISION: 0	UL LEVEL: 1-4, & 6	GLAZING: TBD
SHEET: 1 OF 1		TOLERANCES: +/-1/16"	SCALE: 1-1
WEIGHT: TBD		<i>Metaltek Fabricating, Inc. 2014</i>	