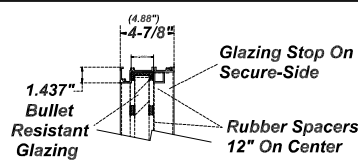
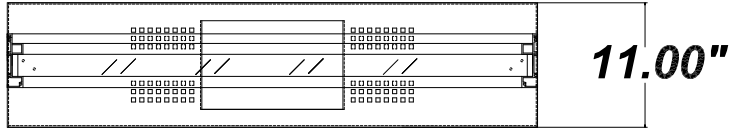


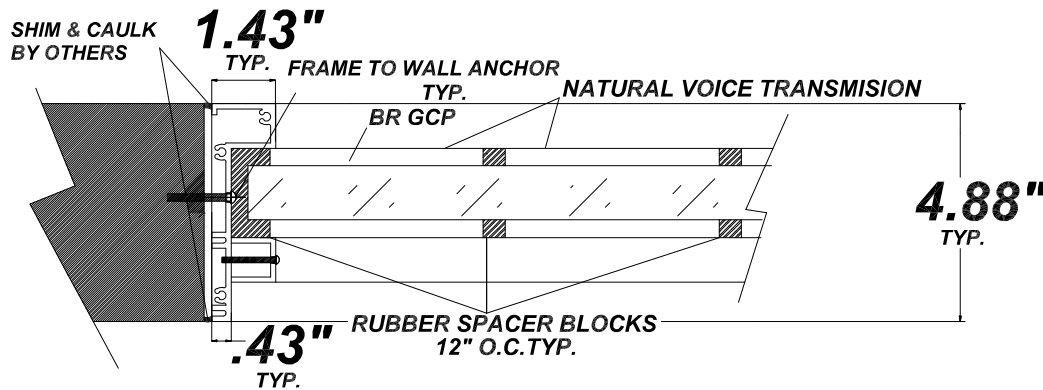
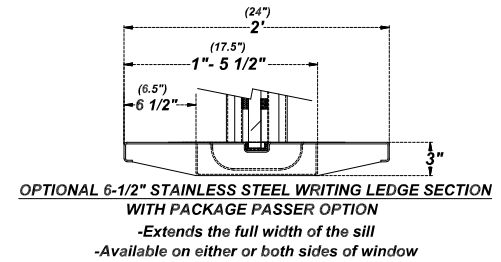
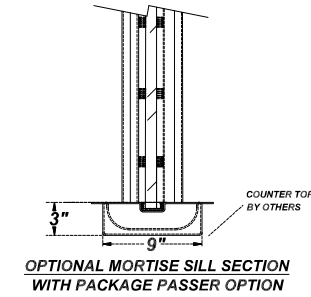
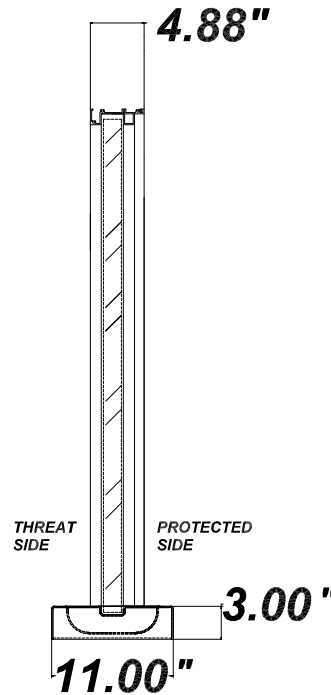
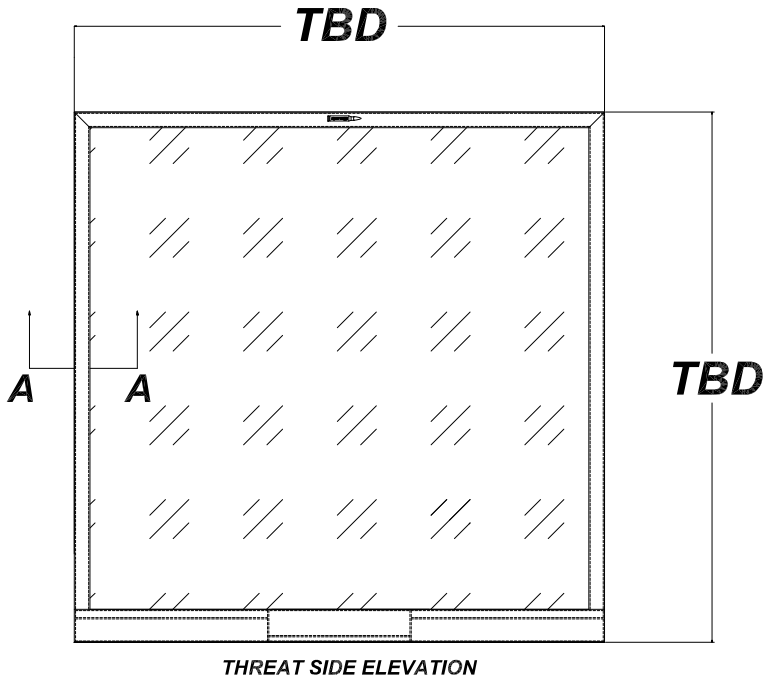
**CUSTOM SIZES AVAILABLE**  
**CONTACT CBP FOR GLAZING TYPES AND SIZE RESTRICTIONS**  
*(Mullions may be required for window sizes over 63" x 87")*



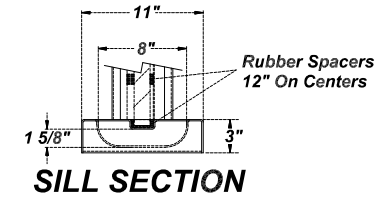
**HEAD/JAMB SECTION**  
 STANDARD FRAME PROFILE: 2" X 5.5"

**SATW** BULLET RESISTANT WINDOW/FRAME ASSEMBLIES

Bullet resistant aluminum frames are armored to UL levels 1-3 with bullet resistant fiberglass, and armored to UL level 4-8 with bullet resistant Shot-Tex steels



**SECT: A-A**



FRAMING SHOWN FOR NATURAL VOICE APPLICATION,  
 SEALANT GLAZED FRAMING IS ALSO AVAILABLE - CONSULT CBP FOR DETAILS

FILE NO. BP-143 SECURITY			
UL LISTED		CHICAGO BULLET PROOF SYSTEMS, INC 2595 BOND ST. UNIVERSITY PARK, IL 60464 708-534-9102 WWW.CHICAGOBULLETPROOF.COM	
<b>SATW/NATVOICE.DWG</b> <b>STANDARD ALUMINUM TRANSACTION WINDOW</b>			
MATERIAL TBD	UL LEVEL TBD	FRAME FINISH CLEAR ANODIZED, DARK BRONZE ANODIZED, OR POWDER COATED	SILL FINISH STAINLESS STEEL
WEIGHT TBD	GLAZING TBD	DRAWN BY RANDY R.	CHECKED BY MAX S.