

CUSTOM SIZES AVAILABLE

CONTACT CBP FOR GLAZING TYPES AND SIZE RESTRICTIONS

CBP Model SLDTW

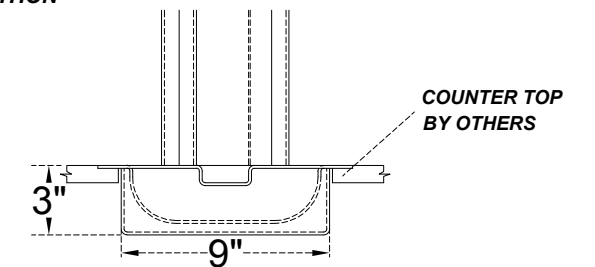
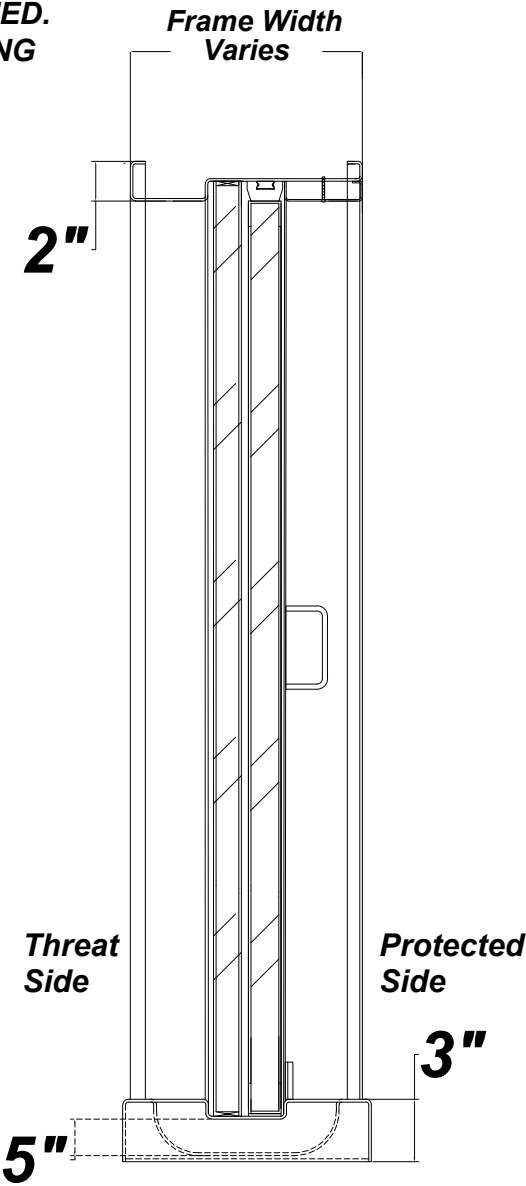
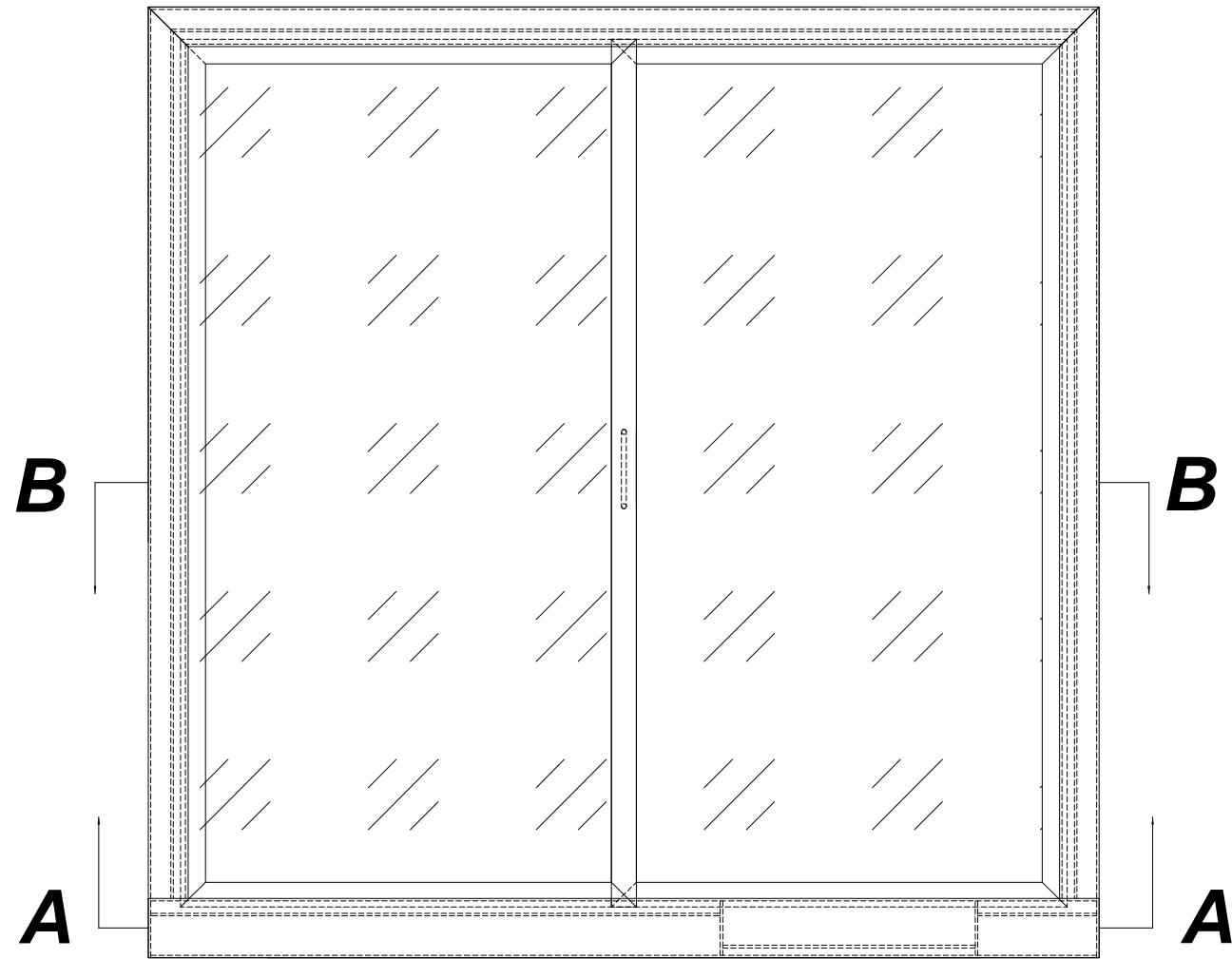
Bullet Resistant Sliding Transaction Window

UL 752 Levels 1-6, & 8

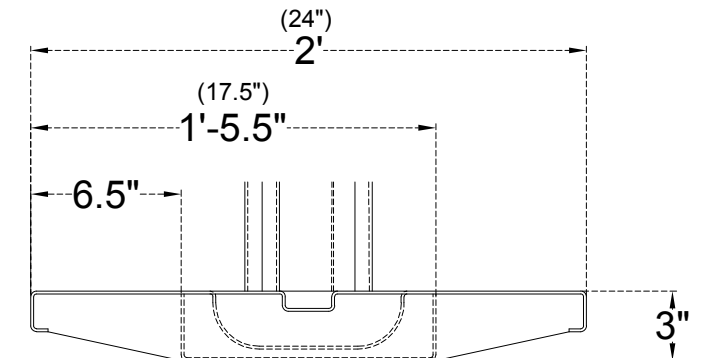
- *LEFT TO RIGHT SINGLE SLIDING PANEL DESIGNATION SHOWN WITH SLIDING PANEL ON PROTECTED SIDE.
- *SPECIFY LEFT TO RIGHT OR RIGHT TO LEFT SLIDING DESIGNATION FOR SINGLE SLIDING PANEL UNITS. FOR DOUBLE SLIDING PANEL UNITS SPECIFY LEFT TO RIGHT OR RIGHT TO LEFT PRIMARY SLIDING DESIGNATION.
- *SINGLE/PRIMARY SLIDING PANELS ARE LOCATED ON PROTECTED SIDE UNLESS OTHERWISE SPECIFIED.
- *INTEGRAL DEAL TRAY AND VOICE PANELS ARE LOCATED CENTERED UNDER SINGLE/PRIMARY SLIDING PANEL UNLESS OTHERWISE SPECIFIED.

*NOTE: THIS ASSEMBLY IS CONSTRUCTED PER CBP MODEL STW UL 752 LISTINGS, HOWEVER, IT WILL NOT BEAR A UL LABEL OF CERTIFICATION BECAUSE ALL TRANSACTION COMPONENTS PER UL 752 ARE SUBJECT TO TESTING IN OPEN AND CLOSED POSITIONS. CBP RECOMMENDS USE OF UL 752 LISTED MODEL PP PACKAGE PASSER ASSEMBLY DESIGNED WITH INTERLOCKING DOORS FOR REGULAR PACKAGE TRANSFERS. SECURITY MEASURES SIMILAR TO THOSE FOR SECURED-ENTRY DOORS SHOULD BE UTILIZED BEFORE SLIDING PANEL IS OPENED EXPOSING THE PROTECTED SIDE TO A POSSIBLE BALLISTIC THREAT.

*NOTE: CBP MODEL SLDTW FEATURES VOICE PANELS ADJACENT TO DEAL TRAY FOR VOICE TRANSMISSION IN THE CLOSED POSITION

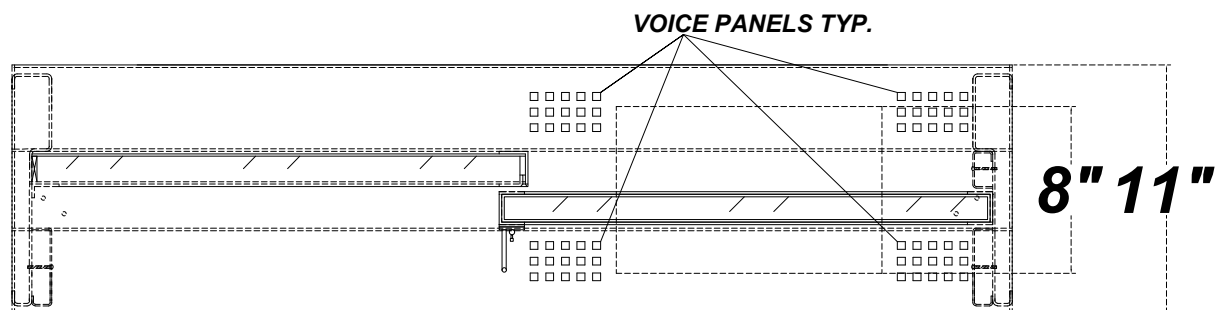


OPTIONAL MORTISE SILL SECTION

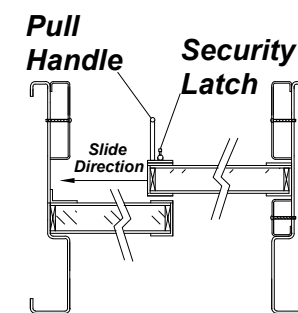


OPTIONAL 6-1/2" STAINLESS STEEL WRITING LEDGE SECTION

- Extends the full width of the sill
- Available on either or both sides of window



SECT: A-A
(VIEW FROM BELOW)



SECT: B-B
(VIEW FROM ABOVE)

FILE NO. BP1942 SECURITY		BULLET PROOF			
		CHICAGO BULLET PROOF SYSTEMS, INC 2595 BOND ST. UNIVERSITY PARK, IL. 60484 708-534-9102 WWW.CHICAGOBULLETPROOF.COM			
<h2 style="margin: 0;">SLDTW WINDOW</h2>					
MATERIAL: SHOT-TEX	FINISH: PRIME PAINTED, RAL MATCHED FINISH PAINT, OR STAINLESS STEEL				
DWG. NO.: SLDTW	REVISION: 0	UL LEVEL: 1-6, & 8	GLAZING: TBD	TOLERANCES: +/-1/16"	SCALE: 1-1
SHEET: 1 OF 1	WEIGHT: TBD				
Metaltek Fabricating, Inc. 2014					