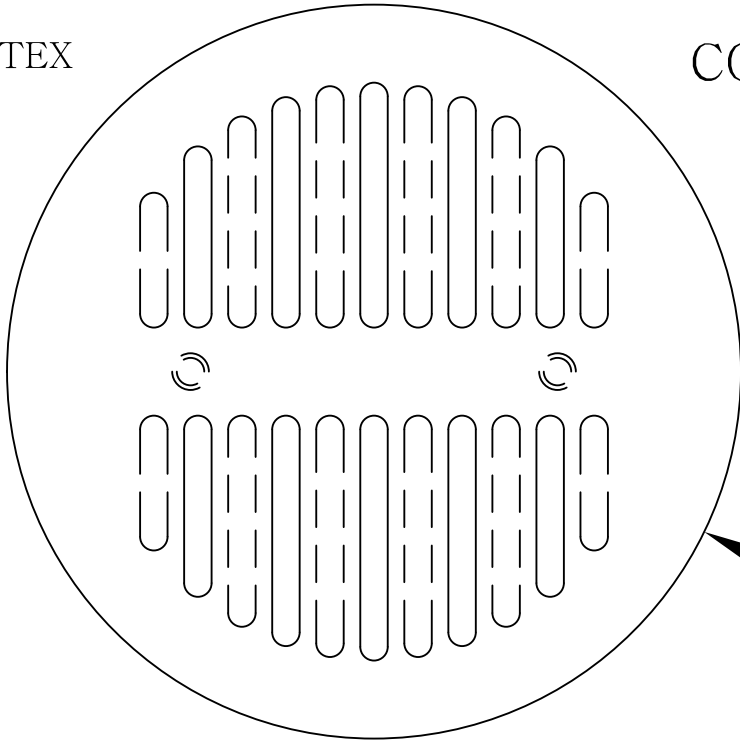
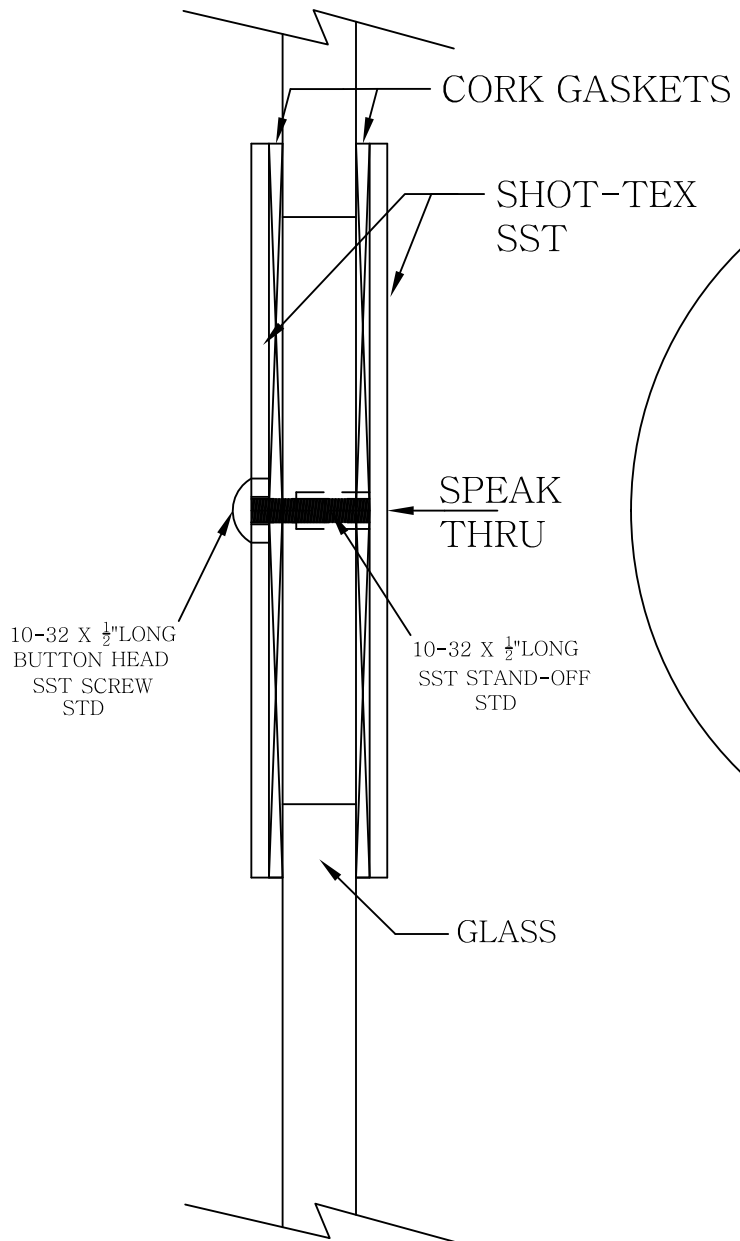


AVAILABLE IN LEVELS
 1-3 SHOT-TEX
 STAINLESS STEEL
 CONSTRUCTIONS AND
 CUSTOM SIZES



FRONT VIEW
 REQUIRES 3" TO 4-1/2" HOLE
 STD

Ø5.000

 CHICAGO BULLET PROOF SYSTEMS, INC 2595 BOND ST. UNIVERSITY PARK, IL. 60484 708-534-9102 WWW.CHICAGOBULLETPROOF.COM					
SSP5					
MATERIAL SHOT-TEX	FINISH STAINLESS STEEL	DATE 11-01-12	DRAWN BY R.R.	CHECKED BY B.S.	
DWG. NO. SSP5	REVISION NONE	UL LEVEL NONE	GLAZING NONE	TOLERANCES + -1/16"	SCALE 1-1
SHEET 1 OF 1	WEIGHT 1.8 LBS	BR LEVEL NONE			