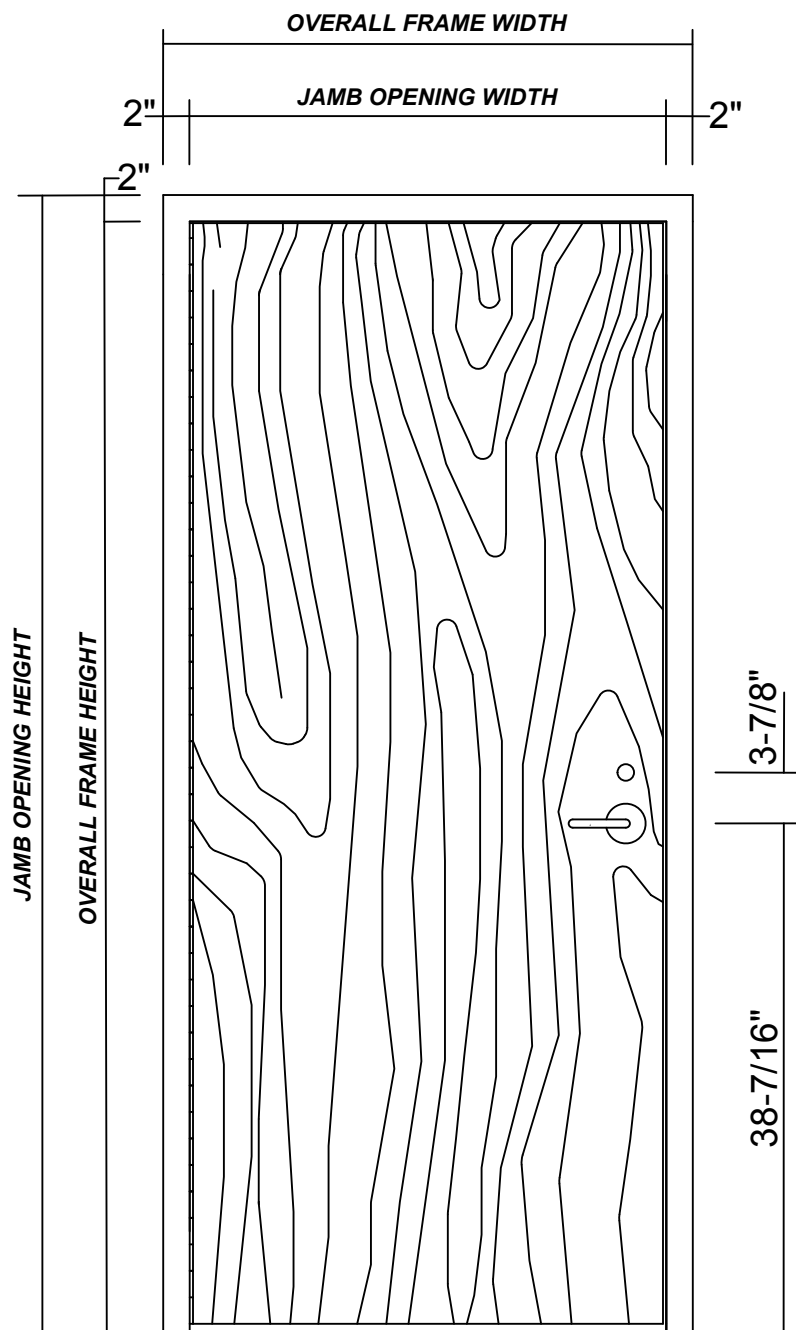


# CUSTOM SIZES AVAILABLE:

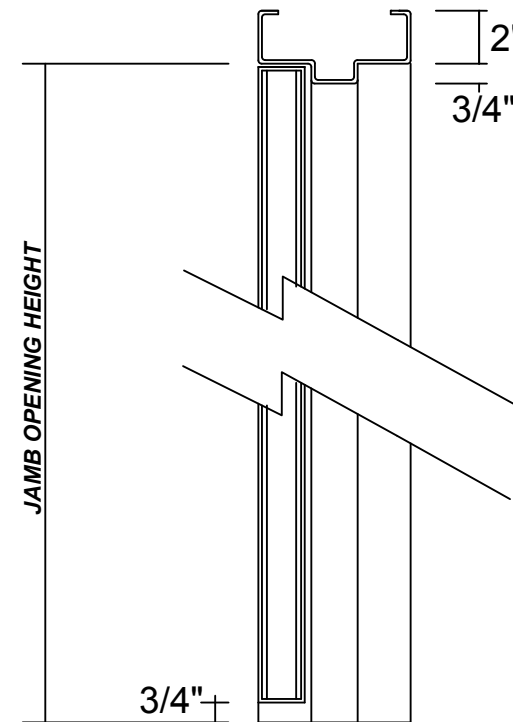
CONTACT CBP FOR SIZE AND HARDWARE RESTRICTIONS



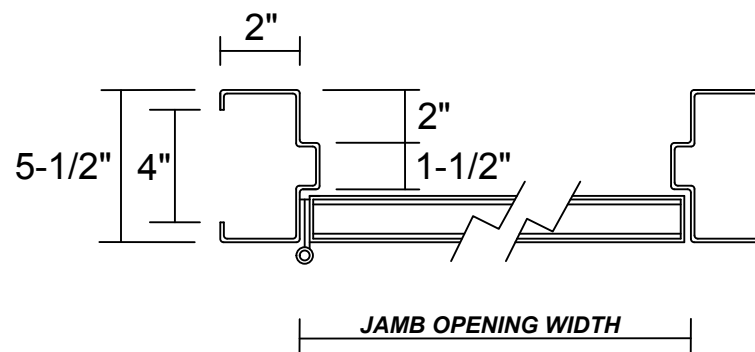
**THREAT SIDE ELEVATION**

VISION PANELS:  
CONTACT CBP FOR GLAZING TYPES  
AND SIZE RESTRICTIONS

STANDARD FRAME PROFILE: 2" X 5.5"



**SECTION VIEW**



**PLAN VIEW**

# CBP Model WH

Bullet Resistant WoodHaven Door and Frame

**UL 752 Listed and Labeled Levels 1-4, & 6**

(A label bearing certification is affixed to the protected side of the frame)  
Also available in constructions tested according to UL levels 5, 8,  
and 9 without UL label

DOORS:

- ALL WELDED CONSTRUCTION
- 1-7/8" THICK
- UNFINISHED RED OAK VENEER PLYWOOD

FRAME:

- DOUBLE RABBIT PROFILE: 2" X 5-1/2"
- MITERED AND WELDED CORNERS
- SUPPLIED WITH SIX "T"-STRAP ANCHORS
- CLAMP-ON FRAMES ALSO AVAILABLE FOR WALLS 7-1/2" TO 12" THICK



STANDARD HARDWARE PACKAGE:

- SARGENT 8204 x LNJ x US26D STOREROOM FUNCTION MORTISE LEVER LOCKSET
- YALE 4400 x 689 HEAVY DUTY CLOSER
- CBP #12252 BULLET RESISTANT CONTINUOUS HINGE
- SILENCERS
- "T"-STRAP ANCHORS

OTHER HARDWARE OPTIONS:

- PREP ONLY FOR HARDWARE BY OTHERS
- BATT FIBERGLASS INSULATION
- THRESHOLD AND WEATHERSTRIP
- PREP FOR BOLT OR SCREW ANCHORS
- UL 752 LISTED VENTILATION LOUVRE AVAILABLE FOR LEVELS 1-4: LVU SERIES LOUVRE PANEL 24"W x 12"H

FILE NO. BP1942  
SECURITY

CHICAGO BULLET PROOF SYSTEMS, INC  
2595 BOND ST. UNIVERSITY PARK, IL. 60484  
708-534-9102  
WWW.CHICAGOBULLETPROOF.COM

## WH DOOR/FRAME

MATERIAL: SHOT-TEX FINISH: PRIME PAINTED, POWDER COATED, OR STAINLESS STEEL (FRAME)

DWG. NO.: WH	REVISION: 0	UL LEVEL: TBD	GLAZING: TBD	TOLERANCES: +1/16"	SCALE: 1-1
--------------	-------------	---------------	--------------	--------------------	------------

SHEET: 1 OF 1	WEIGHT: TBD
---------------	-------------