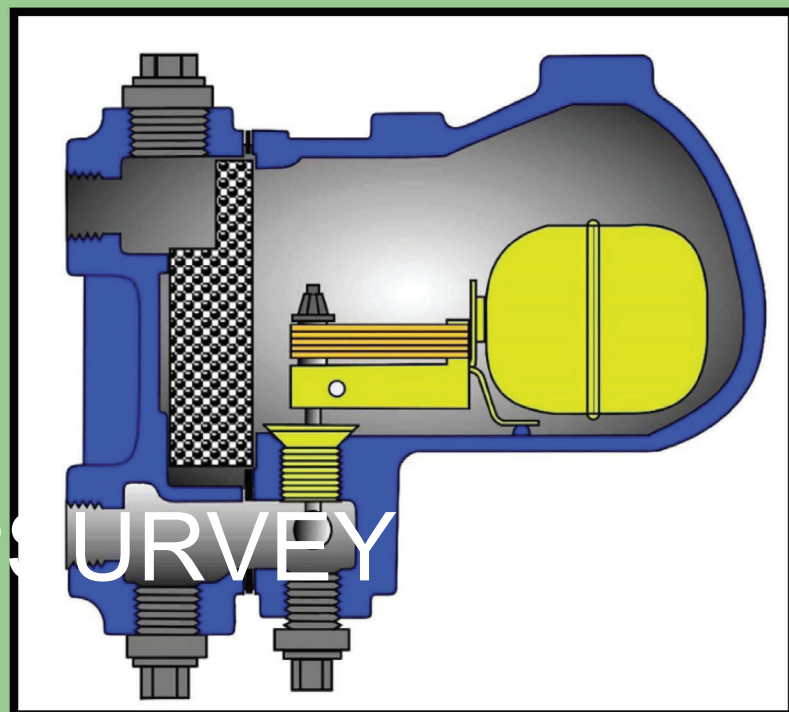


# FLOAT & THERMOSTATIC MONO FLOAT & BIMETALLIC

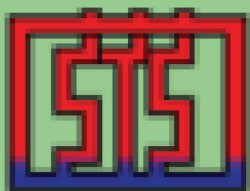
Mono Float  
and  
Bimetallic

STEAM TRAP SURVEY

traps are



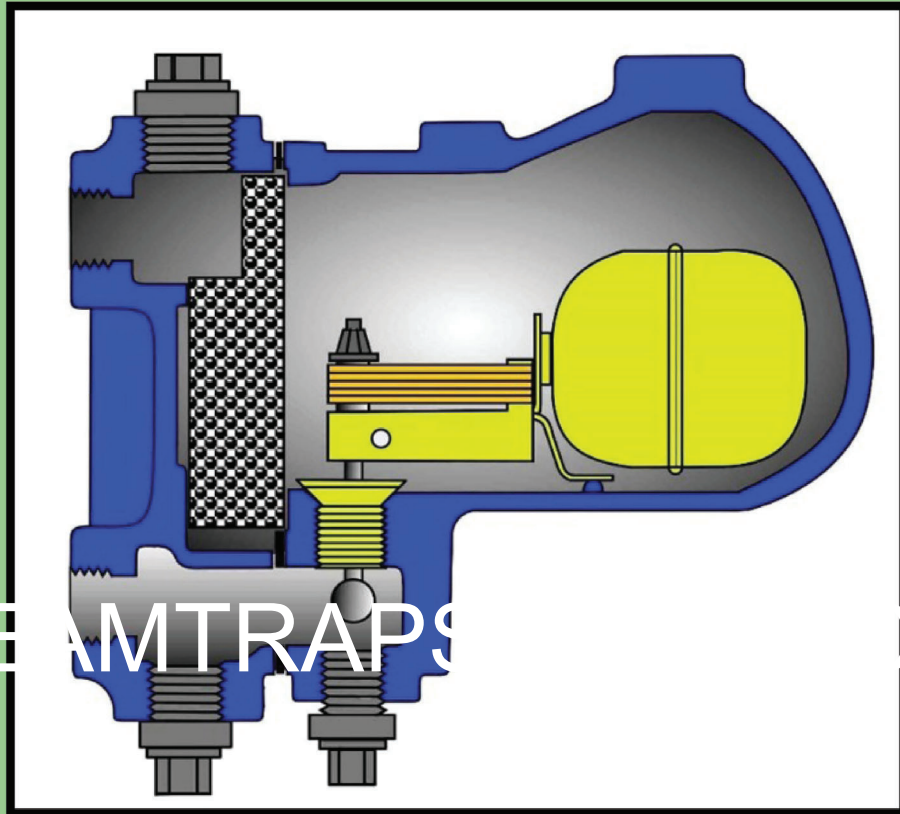
manufactured with a single  
orifice. This ensures the trap  
will not fail closed.



KNOW HOW NOW SERIES

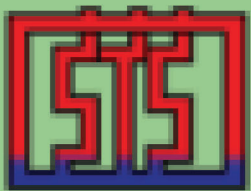
Steam Trap Survey LLC

# FLOAT & THERMOSTATIC MONO FLOAT & BIMETALLIC



STEAMTRAPS.COM

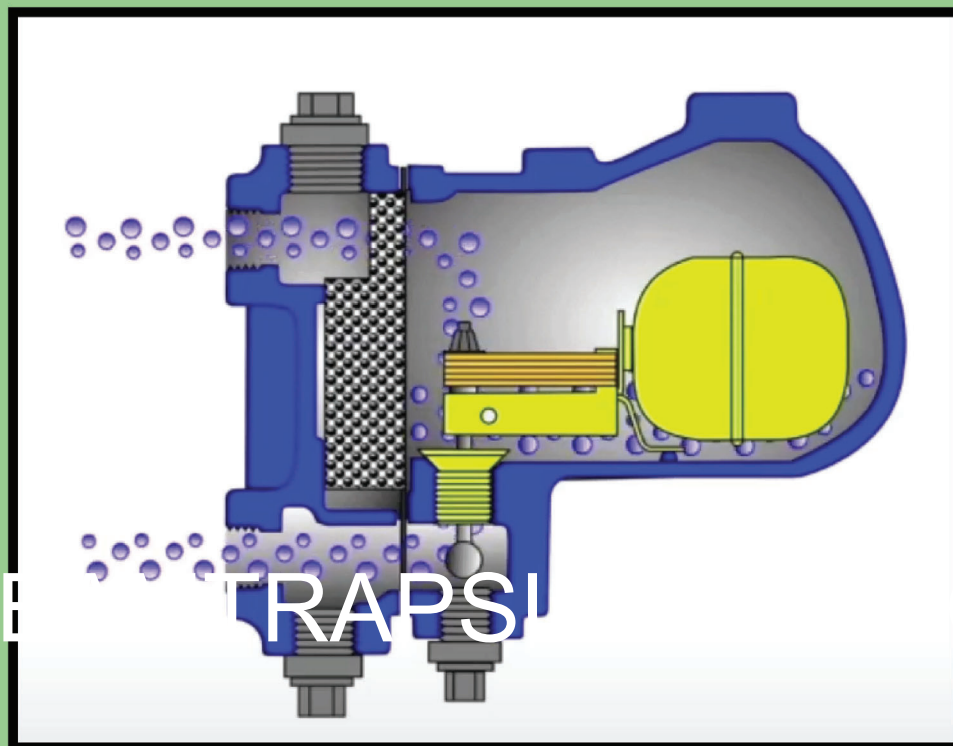
At startup, the steam trap is fully open, venting air quickly and efficiently.



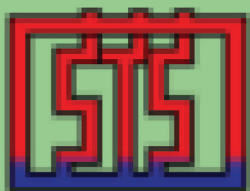
**KNOW HOW NOW SERIES**

Steam Trap Survey LLC

# FLOAT & THERMOSTATIC MONO FLOAT & BIMETALLIC



When condensate is discharged, the float rests on the trap body.



**KNOW HOW NOW SERIES**

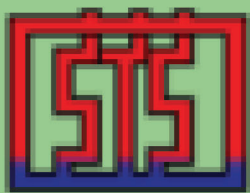
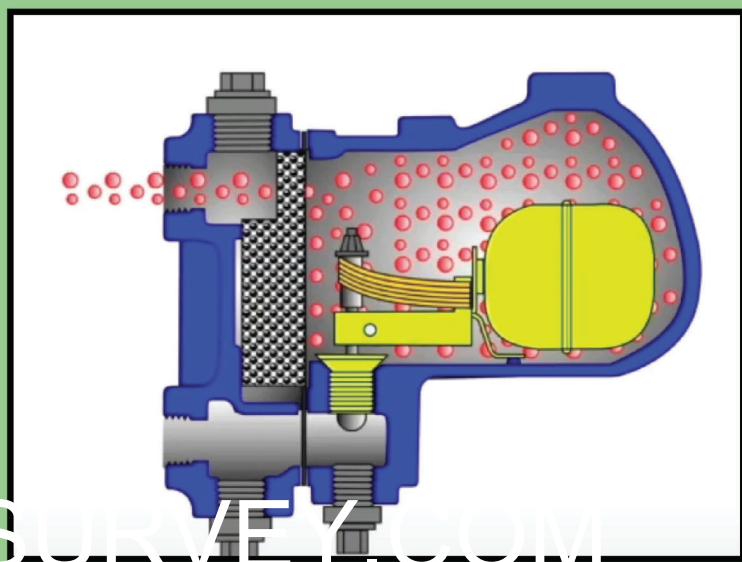
Steam Trap Survey LLC

# FLOAT & THERMOSTATIC MONO FLOAT & BIMETALLIC

The bimetal  
element  
alone closes

the valve

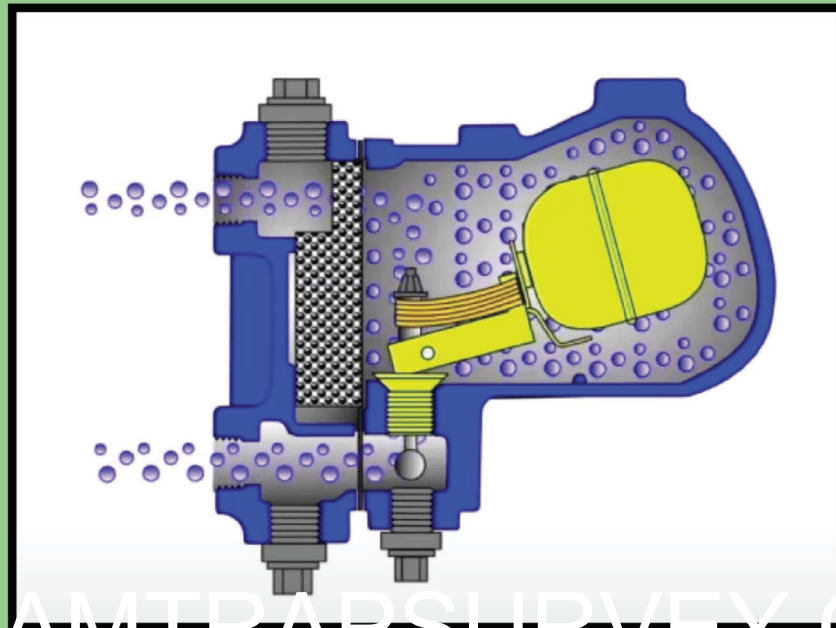
with thermal power  
developed by incoming  
steam.



KNOW HOW NOW SERIES

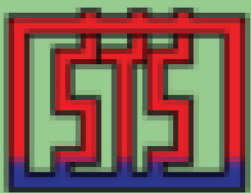
Steam Trap Survey LLC

# FLOAT & THERMOSTATIC MONO FLOAT & BIMETALLIC



[STEAMTRAPSURVEY.COM](http://STEAMTRAPSURVEY.COM)

If condensate builds up in the trap body, the float becomes buoyant and opens the valve.



**KNOW HOW NOW SERIES**

Steam Trap Survey LLC