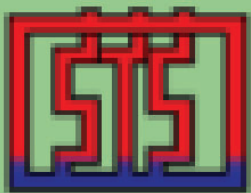


# UNIVERSAL STEAM TRAP



Universal style thermostatic steam traps require two parts when replacing a conventional steam trap.

The universal connector is a one-time purchase and installs where the existing trap is. The connector stays in-line, so you never have to break into the steam line to change the trap. The universal steam trap will mount on the universal connector, has two bolts and gaskets requiring only five minutes to change the next trap replacement. Any universal steam trap manufacturer will fit the universal connector for future repairs. Internal strainer and internal check valve are included in some models.



## KNOW HOW NOW SERIES

Steam Trap Survey LLC

# UNIVERSAL STEAM TRAP

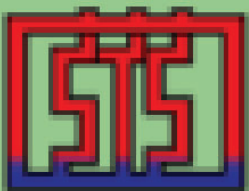
To renew the trap, simply remove the bolts holding the operating part to the pipeline connector



[STEAMTRAPSURVEY.COM](http://STEAMTRAPSURVEY.COM)



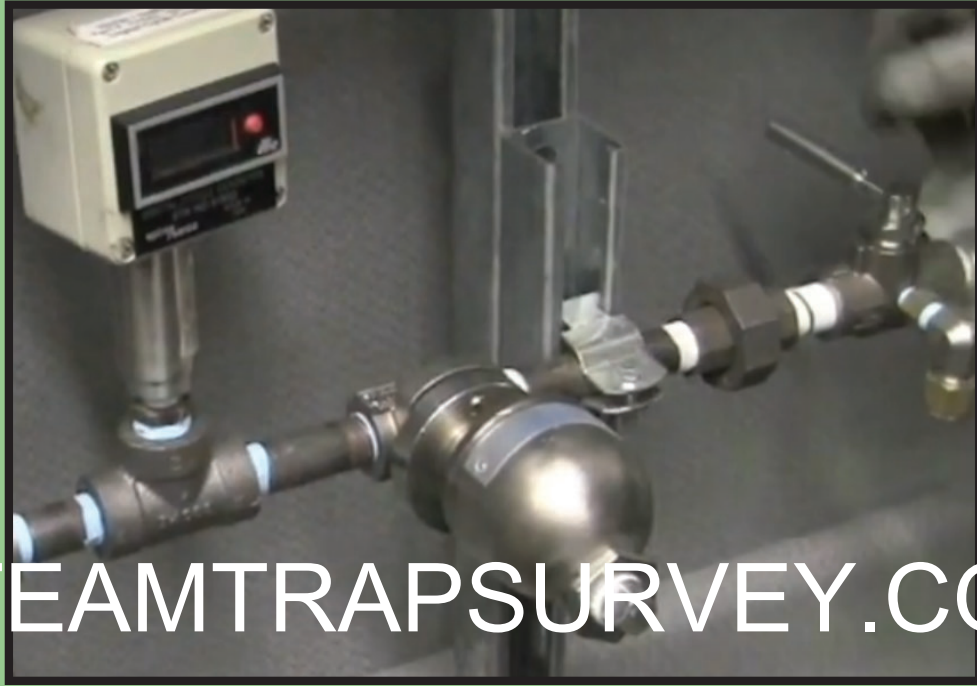
and replace with a new unit.



**KNOW HOW NOW SERIES**

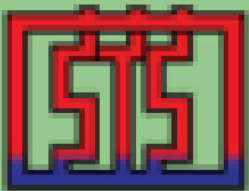
Steam Trap Survey LLC

# UNIVERSAL STEAM TRAP



STEAMTRAPSURVEY.COM

All universal connectors  
accept all universal  
steam traps.



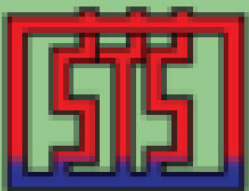
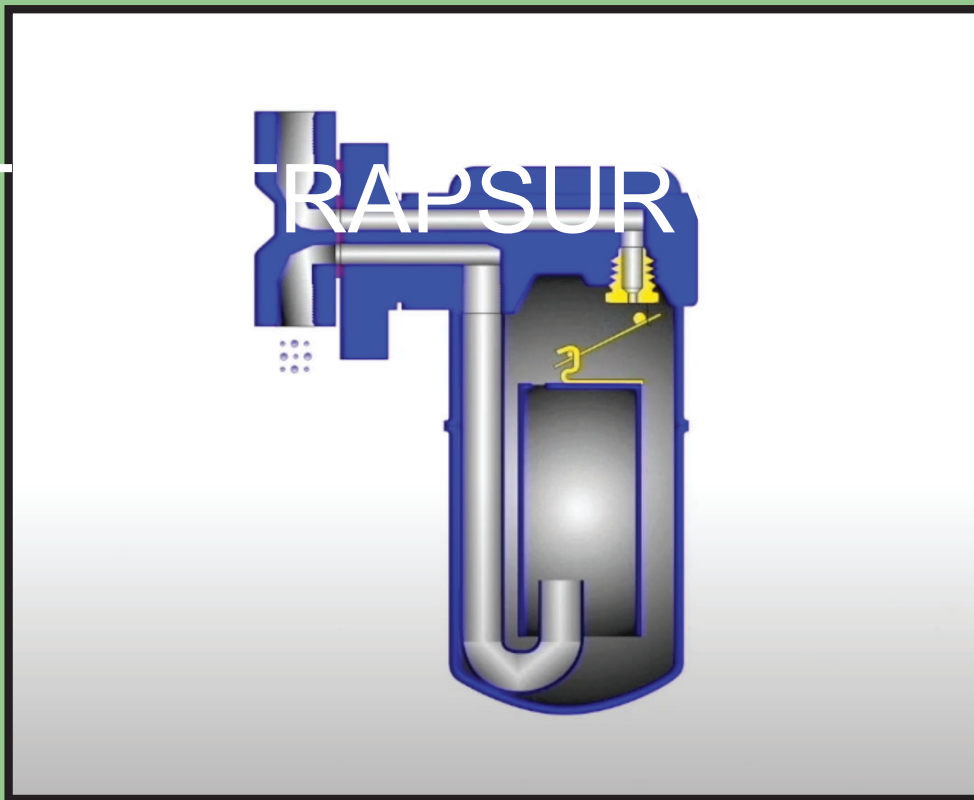
KNOW HOW NOW SERIES

Steam Trap Survey LLC

# UNIVERSAL STEAM TRAP

Like the  
Inverted Bucket

STEAM TRAP SURVEY FROM



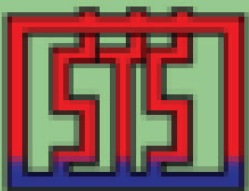
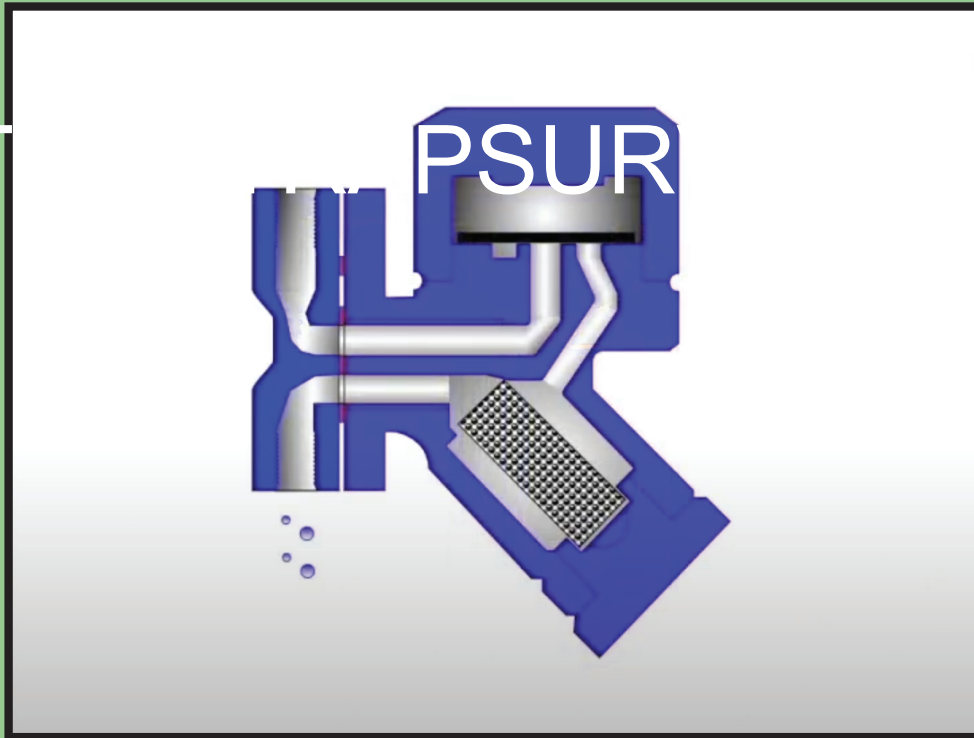
KNOW HOW NOW SERIES

Steam Trap Survey LLC

# UNIVERSAL STEAM TRAP

## The Thermodynamic

ST [www.stsurv.com](http://www.stsurv.com) OM

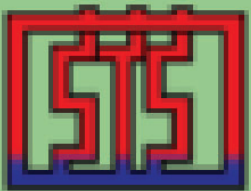
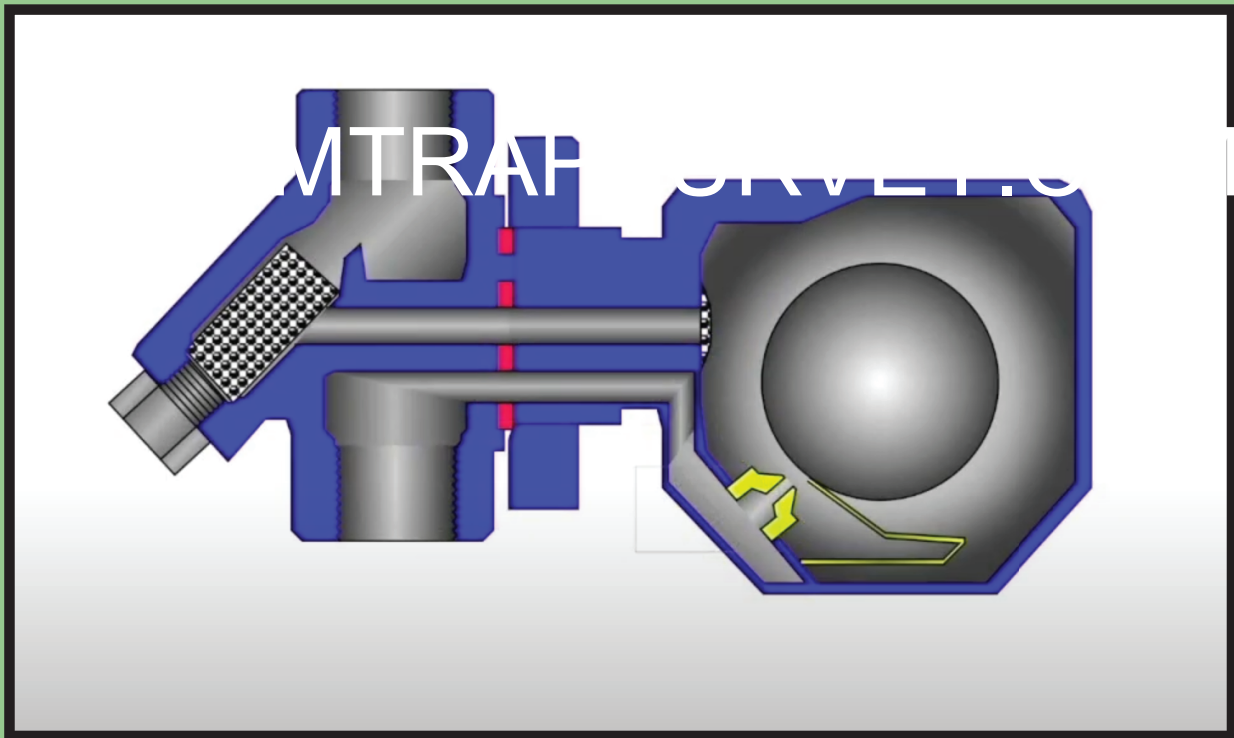


KNOW HOW NOW SERIES

Steam Trap Survey LLC

# UNIVERSAL STEAM TRAP

## The Float & Thermostatic

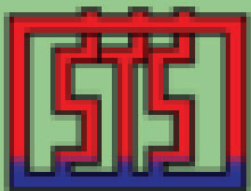
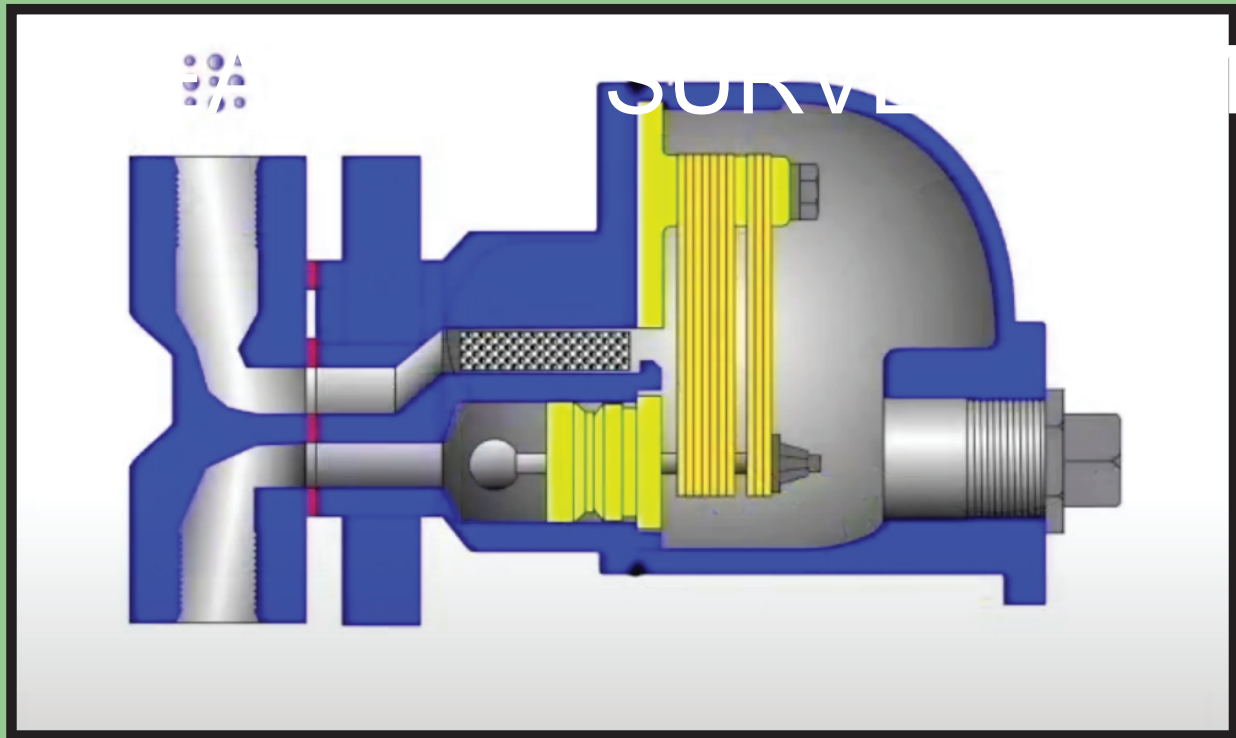


KNOW HOW NOW SERIES

Steam Trap Survey LLC

# UNIVERSAL STEAM TRAP

## And the Thermostatic Steam Traps



KNOW HOW NOW SERIES

Steam Trap Survey LLC