



The Zena Cropped Cone

Data Sheet

Description

The Zena Cropped Cone prevents birds from perching on top of various H-Frame structures.

Benefits

- Transmission & Distribution operators reduce outages from flashovers and electrocutions,
- Telecommunication operators reduce bird-related maintenance on communication towers,
- Airport operators reduce strike risk and improve lighting and navigation equipment reliability.

Features

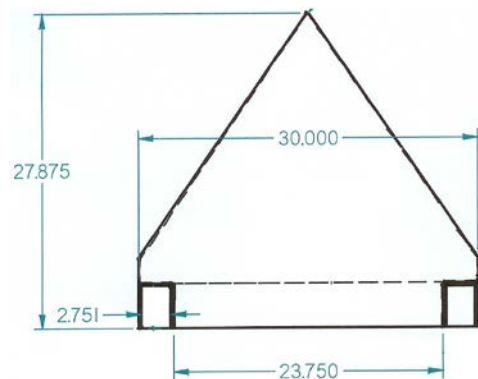
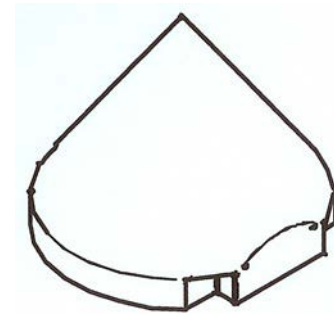
Designed specifically for raptors and larger birds, the Zena Cropped Cone:

- Discourages perching and nesting,
- Is bird safe and environmentally friendly,
- Installs quickly, reducing downtime,
- Has excellent self-washing characteristics,
- Protects structures of different sizes.



Application

The Zena Cropped Cone mounts on the H-Frame structures in just minutes. Molded from proprietary high-density long-life black polyethylene, the pyramid delivers economical and effective protection from birds and the weather.



For More Information

To learn more about how our products could help your organization, please contact us.

Call: (970) 663-3980 **Fax:** (970) 663-3972

Email: info@zenadesign.com

Visit: www.zenadesign.com

Nominal Dimension (inches)		
Catalog Number	Size	Matl
ZRP 3150	33	HDPE

Nominal wall thickness 0.125 inches