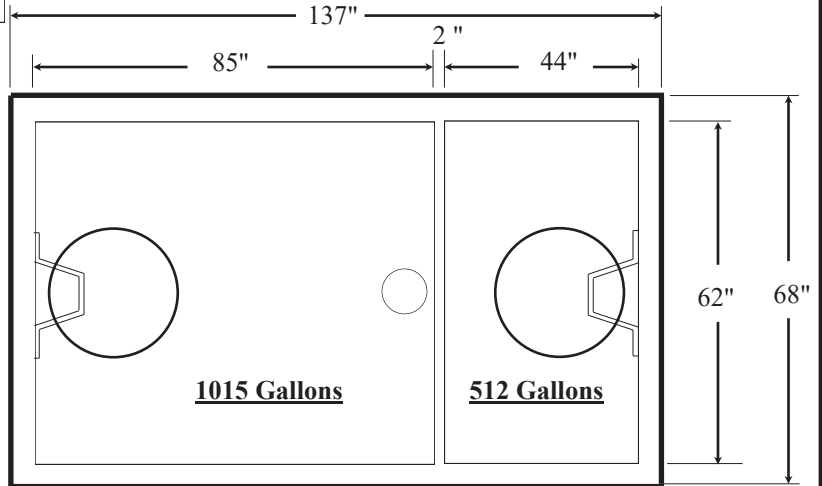
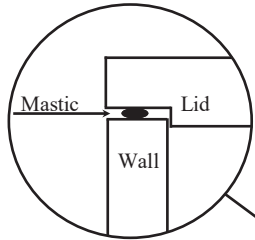


**1500 Gallon
2-Compartment Septic Tank**

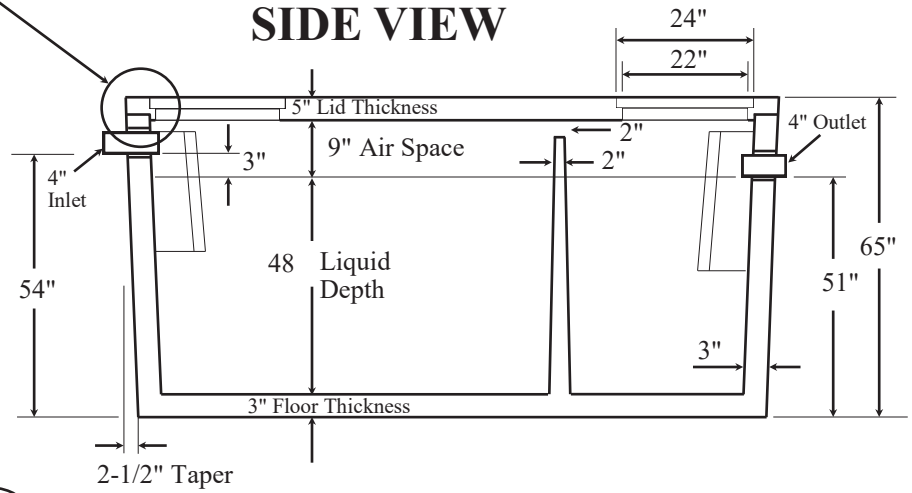
TOP VIEW



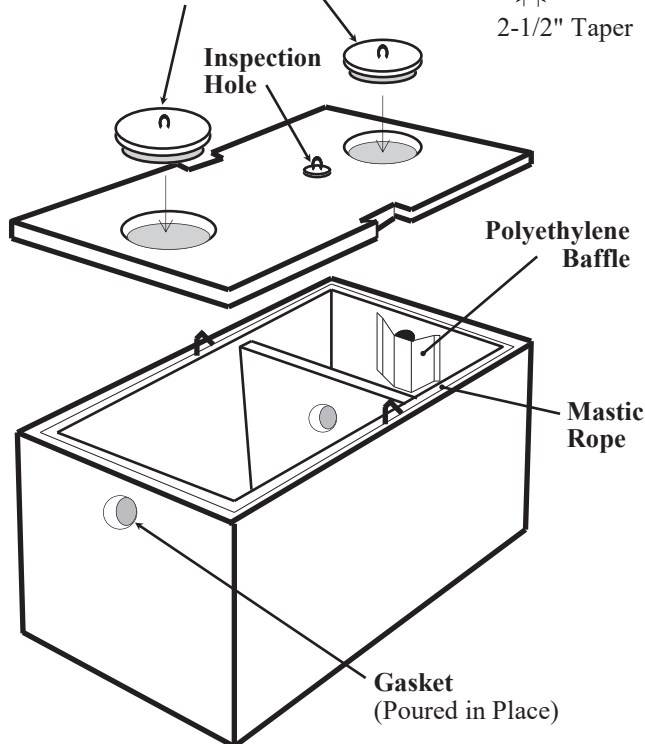
Enlarged Detail



SIDE VIEW



Manhole Openings



**Engineered Concrete Products
PO Box 1278 (57709)
3335 Seger Drive
Rapid City, SD 57701**

