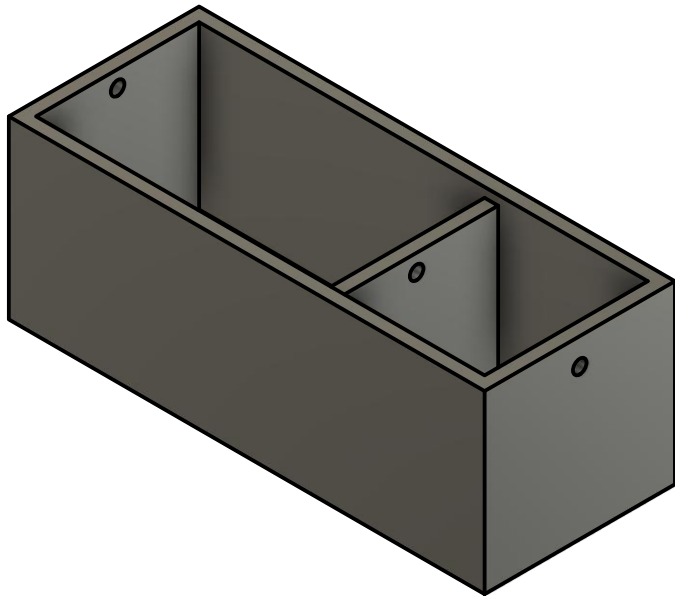
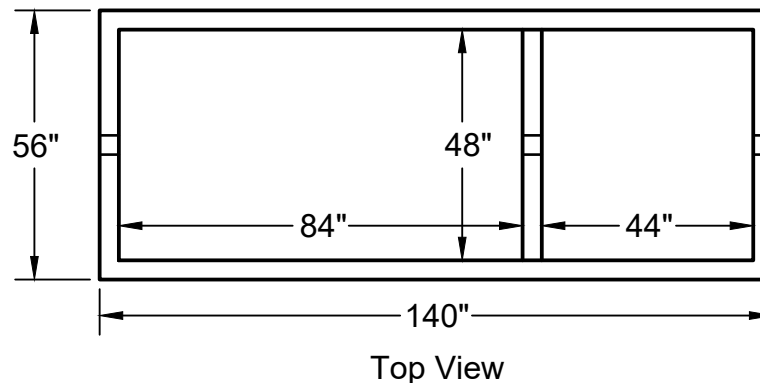
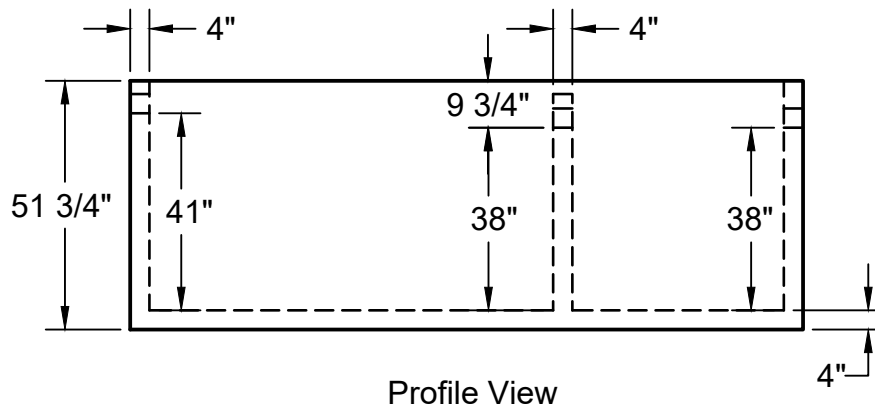


1,000 Gallon Commercial Tank



- Design: ASSHTO HS20-44
ASTM C890, ASTM C1227.
- Designed Fill Ht. 0 to 5'.
- Gaskets - 4" or 6" Schedule
40 and 80 Standard, D3034,
C-900, and IPS.
- Center Wall Supports Empty
or Full Conditions in Either
Compartment.
- Weight 8,600 Lbs.

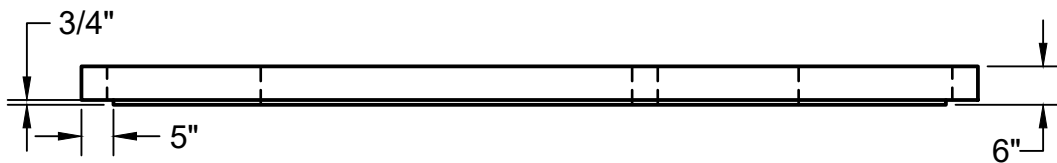


Engineered Concrete Products
PO Box 1278 (57709)
3335 Seger Drive
Rapid City. SD 57701

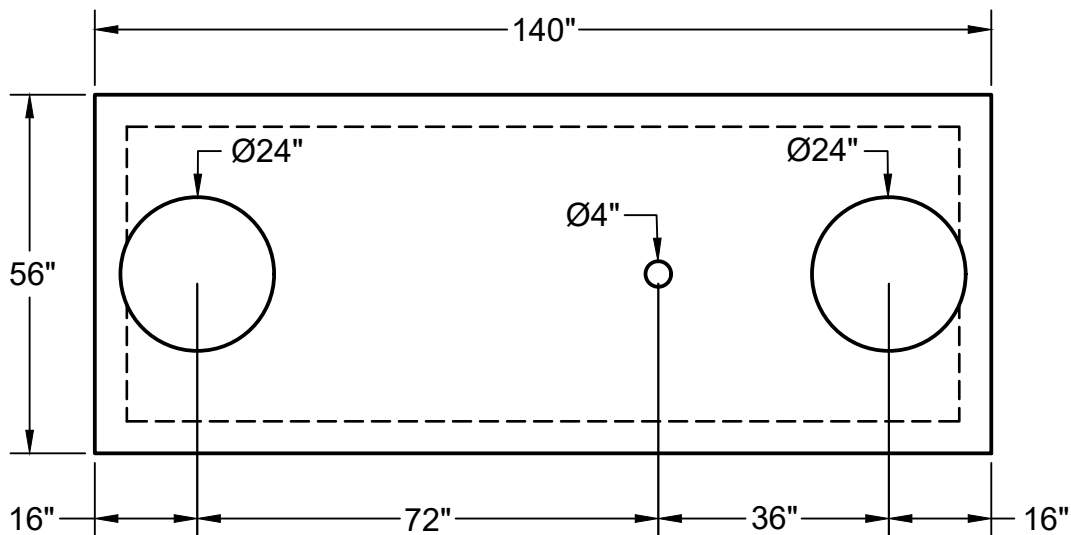


1,000 Gallon Commercial Tank Cover

- Design: ASSHTO HS20-44
ASTM C890, ASTM C1227
- Designed Fill Ht. 0' - 5'.
- Access Hole Sizing: 4" - 30".
(Standard - 4", 20", and 24")
- Risers: RCP Pipe and Plastic
- Center Hole is Optional.
- Weight 4,000 Lbs.



Profile View



Top View

Engineered Concrete Products
PO Box 1278 (57709)
3335 Seger Drive
Rapid City, SD 57701

