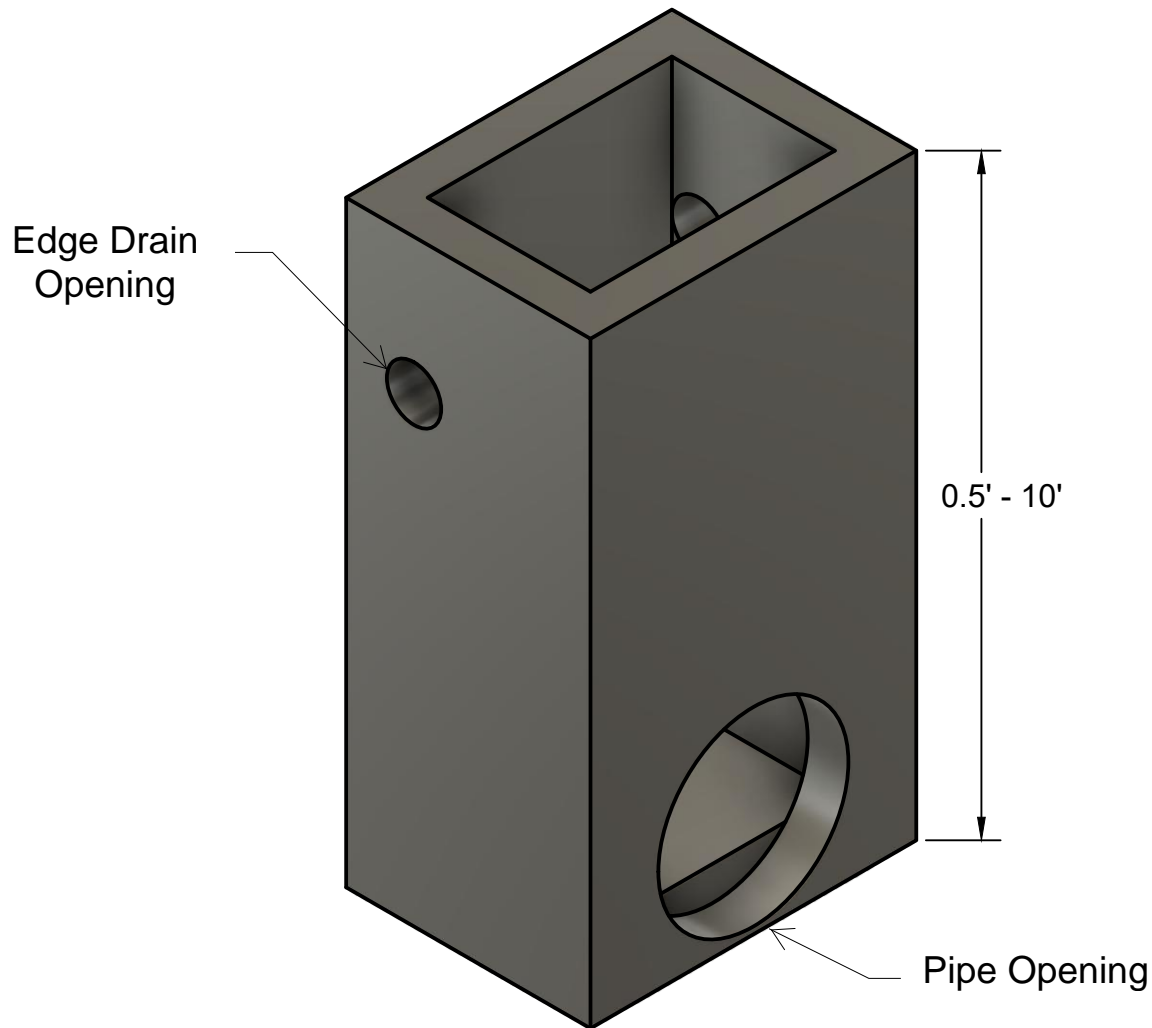


2'x3' Inlet



Design: AASHTO HL93 - Fill Height 0-10'

Concrete: 4,500 psi - ACI 318

Steel: 75 ksi - ASTM 1064

Pipe Blockout: +/- 2" Greater Than O.D. of Design Pipe

Wall & Base Thickness: 6"

(Base Thickness can be Increased to Match the Flow Line of the Pipe)

Engineered Concrete Products
PO Box 1278 (57709)
3335 Seger Drive
Rapid City, SD 57701

