



DIVISION 10 CATALOG

Washroom Accessories from Bradley.

One source to perfectly accessorize every application

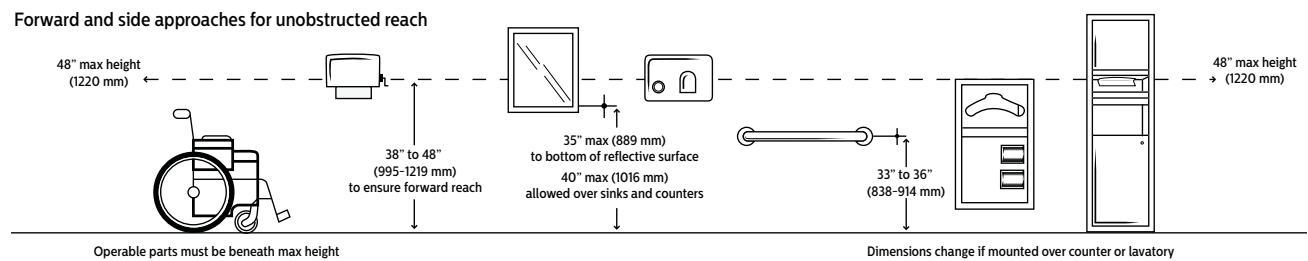
bradleycorp.com/commercial



BRADLEY WASHROOM ACCESSORIES WARRANTY

Product warranties may be found on bradleycorp.com

ACCESSIBILITY GUIDELINES



Note: Information from the ADA-ABA Accessibility Guidelines for Buildings and Facilities found on The United States Access Board website: <http://www.access-board.gov/>

BradEX SHIPPING PROGRAM

BX Icon next to a model number indicates a BradEX® item.

All products designated as BradEX® products will ship three business days after the date the order has been entered and acknowledged by the Bradley Corporation. Standard shipping terms apply.

Please note: The entire order must consist of BradEX products to qualify for three business day shipping.

Need it faster? One day shipping is available with the Rush Express (BX-RX) shipment option. Maximum quantities apply, please contact your local Bradley representative for further information.

COMMERCIAL RESTROOM

- 7 Grab Bars**
 - 8 Grab Bars
 - 9 Grab Bar Configurations
 - 14 Grab Bars: Swing
 - 15 Grab Bars: Bariatric

- 17 Aerix Hand Dryers**

- 20 Towels & Waste**
 - 20 Towels Multi-Purpose
 - 22 Waste Receptacles
 - 28 Towel Dispensers
 - 35 Towels + Waste Combination Units

- 42 Soap Dispensers**
 - 42 NEW Verge Soap Dispensers
 - 44 Deck-Mounted Soap Dispensers
 - 46 Wall-Mounted Soap Dispensers

- 51 Mirrors & Shelves**
 - 51 Mirrors
 - 54 Shelves

- 56 Toilet Tissue Dispensers**
 - 56 Toilet Tissue Dispensers
 - 65 Combination Units

- 69 Seat Cover Dispensers**

- 70 Napkin Disposals & Vendors**
 - 70 Napkin Disposals
 - 73 Vendors

- 74 Child Care Solutions**

SPECIALTY APPLICATIONS

- 75 Shower Products**
 - 75 Shower Seats
 - 78 Shower Curtains, Hooks + Rods

- 80 Security**
 - 80 Hooks
 - 82 Grab Bars
 - 82 Shelves
 - 84 Mirrors
 - 85 Soap Dishes
 - 85 Toilet Tissue Holders
 - 86 Toothbrush Holders

- 87 Hospitality**
 - 87 Toothbrush Holders
 - 87 Towel Bars & Shelves
 - 89 Soap Dishes
 - 90 Facial Tissue Dispensers
 - 90 Hooks
 - 93 Towel Rings
 - 93 Miscellaneous

- 94 Custodial**

- 96 Health Care**

- 98 Mills® Partition**
 - 98 Partition Series
 - 99 Partition Materials

- 100 Lenox® Lockers**

- 101 Maintenance Instructions**

- 102 Index**



TWO ELEMENTS

FOR ONE-OF-A-KIND WASHROOMS



CREATE WASHROOM HARMONY

With the new Verge™ matching soap and faucets you won't have to compromise your restroom design with mismatched soap and faucets ever again. Available in multiple styles and finishes, each set pairs seamlessly with the Verge® handwashing basin or any commercial basin to provide the finishing touch to your one-of-a-kind restroom design.

VERGE

INTRODUCING VERGE™ SOAP DISPENSERS WITH MATCHING FAUCETS

Designed with the industry's widest range of top-fill options and feature a smart sense system with LED light indicators that display low soap and battery. An audible and visual alert system guides refilling to avoid soap overflowing or spilling. The dispensers use universal bulk soap in foam and liquid options.

Impressive lineup of four styles and six finishes results in industry leading array of twenty-four options to achieve every designer's dream.





Standard Series

Standard look: framed, rectangular, stainless steel



Contemporary Series


Cleaner stainless steel front, no visible frame, attractive curved openings



Diplomat™ Series

Elevate your room's look with the unique dual-curve geometry of Diplomat™ Series Accessories

Catalog Icon Key

 BradEx Shipping

 ADA Compliant

 Bariatric Weight Rated

All Bradley Grab Bars are designed for safety and security of the physically disabled, and feature the 1.5" (38 mm) safety clearance recommended by Barrier-Free design experts and required under most codes.

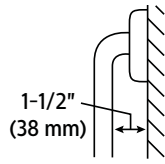
ANCHORING DEVICES

Building construction will govern the type of anchorage required.

Note: All mounting kits must be specified as optional extras. Order one kit for each flange.

See technical data for details.

Bradley will design and manufacture modified bars to satisfy unique installation applications. Contact your local Bradley representative for information.



Standard Safety Clearance meets ADA requirements.

HOW TO SPECIFY GRAB BARS

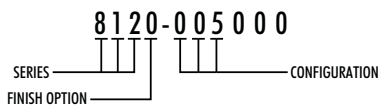
1. Select Series Number (812, 817, 832, etc.)

HEAVY-DUTY SERIES			
Mounting	1.5" (38 mm) diameter	1.25" (32 mm) diameter	1" (25 mm) diameter
Concealed	812	832	852
Exposed	817	837	857

2. Select Finish Option (standard, safety grip, etc.)

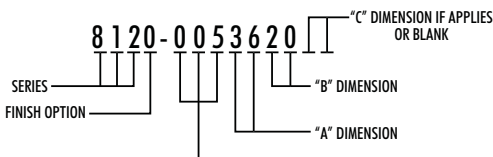
FEATURE	ADD SUFFIX
Standard	0
Safety Grip Finish	2
Bright Polished Finish	4
Bright Polished Finish with Safety Grip	7

3. Select Grab Bar Configuration (001, 002, 005, etc.)



4. Select Dimensions Required

If no modifications are required to the dimensions, an example of the Part No. is:



Always list dimensions in alphabetical order (i.e., 36" x 20" (914 mm x 508 mm))

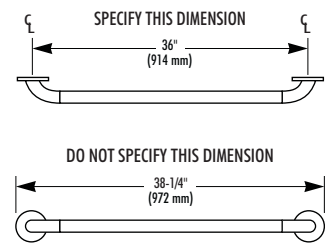
Note: If modifications are required to the dimensions other than A, B, or C, or if fractions are needed, contact Bradley for a submittal and special number. Unless otherwise stated, stand-off will be on long section of bar. All dimensions shown in diagrams are from wall to centerline of mounting flange or centerline of grab bar. Standard clearance is 1.5" (38 mm).

FEATURES

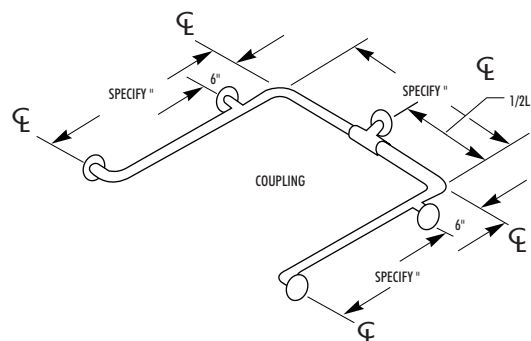
- Heavy-duty, 18-gauge stainless steel tubing
- Meets or exceeds requirements of ANSI Standard A117.1, ADA and ABA Accessibility Guidelines for Buildings and Facilities (ADAAG) and Uniform Federal Accessibility Standard (UFAS)
- Select configurations of the 812 and 817 series meet bariatric load requirements of the American Society of Healthcare Engineers (ASHE) 2010 guidelines for design and construction of healthcare facilities
- Attractive satin finish, safety grip finish or polished safety grip finish
- Easy to install with optional anchoring devices

HOW TO MEASURE GRAB BARS

All Grab Bar Configurations are specified using centerline to centerline dimensions.



1. Obtain length of side bars:
Side wall dimension - (Safety clearance 1.5" (38 mm) + 1/2 Diameter of Grab Bar + 2" (51 mm))
2. Obtain back bar dimension:
Back wall dimension - (Safety clearance 1.5" (38 mm) + 1/2 Diameter of Grab Bar x 2" (51 mm))
Example: 812 Series Grab Bar:
If wall dimensions are 30" (762 mm) side x 58" (1473 mm) back x 30" (762 mm) side, then:
Sides: $30" - (1.5" + .75" + 2") = 25.75"$
 $(762 \text{ mm} - (38 \text{ mm} + 19 \text{ mm} + 51 \text{ mm})) = 654 \text{ mm}$
Back: $58" - (1.5" + .75" \times 2") = 53.5"$
 $(1473 \text{ mm} - (38 \text{ mm} + 19 \text{ mm} + 51 \text{ mm})) = 1359 \text{ mm}$
Grab Bar dimensions would be 25.75" x 53.5" x 25.75"
 $(654 \text{ mm} \times 1359 \text{ mm} \times 654 \text{ mm})$





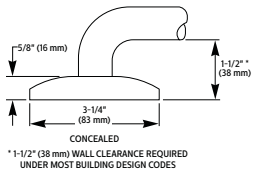
812 SERIES



Grab bar of 1.5" (38 mm) O.D., 18-gauge stainless steel, seamless construction with exposed surfaces in architectural satin finish. Mounting flanges concealed by snap-on escutcheons. Antimicrobial option is available for select sizes.

- 2 Safety-Grip Finish
- 4 High-Polish Finish
- 7 Safety Grip with Polished Finish on Ends

See technical data for BradEX sizes

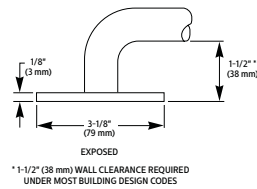


817 SERIES



Grab bar of 1.5" O.D. (38 mm), 18-gauge stainless steel, seamless construction with exposed surfaces in architectural satin finish. Exposed mounting flanges.

- 2 Safety-Grip Finish
- 4 High-Polish Finish
- 7 Safety Grip with Polished Finish on Ends



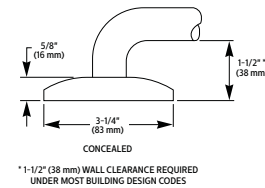
832 SERIES



Grab bar of 1.25" O.D. (32 mm), 18-gauge stainless steel, seamless construction with exposed surfaces in architectural satin finish. Mounting flanges concealed by snap-on escutcheons.

- 2 Safety-Grip Finish
- 4 High-Polish Finish
- 7 Safety Grip with Polished Finish on Ends

See technical data for BradEX sizes



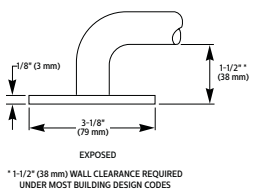
837 SERIES



Grab bar of 1.25" O.D. (32 mm), 18-gauge stainless steel, seamless construction with exposed surfaces in architectural satin finish. Exposed mounting flanges.

- 2 Safety-Grip Finish
- 4 High-Polish Finish
- 7 Safety Grip with Polished Finish on Ends

See technical data for BradEX sizes

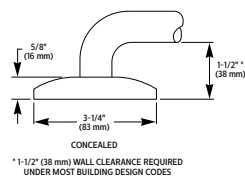


852 SERIES



Grab bar of 1" O.D. (25 mm), 18-gauge stainless steel, seamless construction with exposed surfaces in architectural satin finish. Concealed mounting flanges.

- 2 Safety-Grip Finish
- 4 High-Polish Finish
- 7 Safety Grip with Polished Finish on Ends

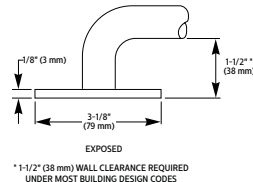


857 SERIES



Grab bar of 1" O.D. (25 mm), 11-gauge stainless steel, seamless construction with exposed surfaces in architectural satin finish. Exposed mounting flanges.

- 2 Safety-Grip Finish
- 4 High-Polish Finish
- 7 Safety Grip with Polished Finish on Ends



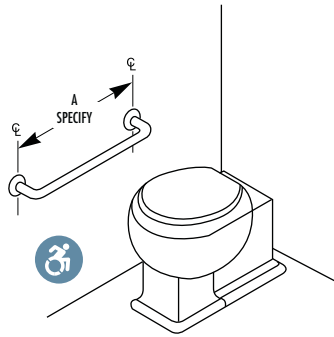
TYPICAL WATER CLOSET APPLICATIONS

001

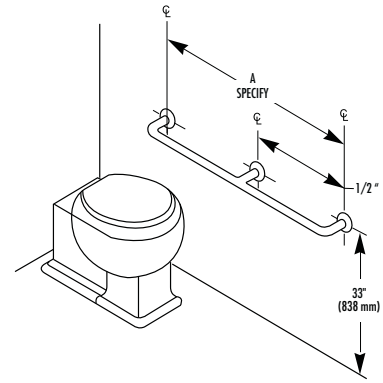
Specify length desired. See 048 and 049 for 45° mounting. 001 over 54" (1372 mm) requires a center support and becomes 002.

Select dimensions can support up to 1,000 lb (454 Kg)

When installed as specified, unit meets "Barrier-Free" requirements.

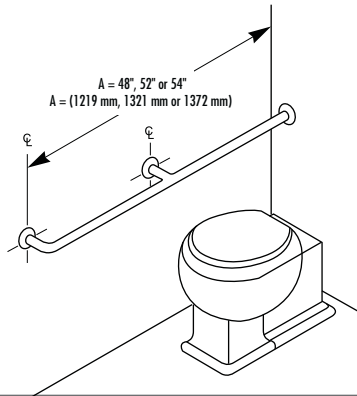


002

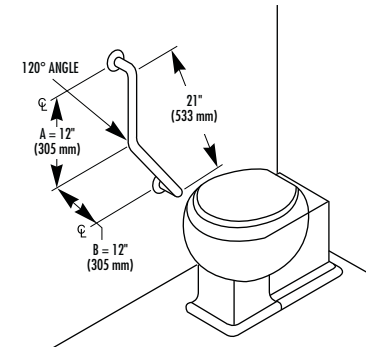


003

Standard lengths 48", 52" or 54" (1219 mm, 1321 mm or 1372 mm) Only one end return. Special size "A" dimensions, center post will only be added to models greater than 24" (610 mm).

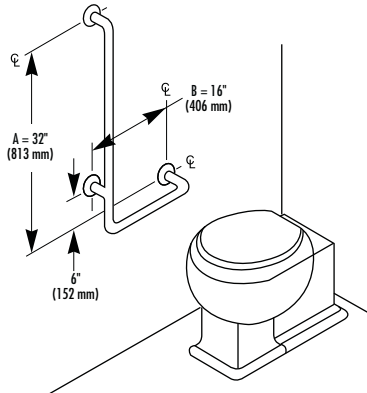


004



005

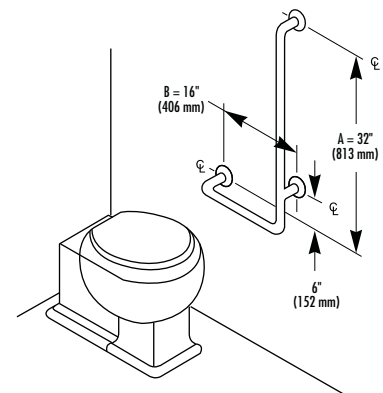
"A" dimension will always have stand off.



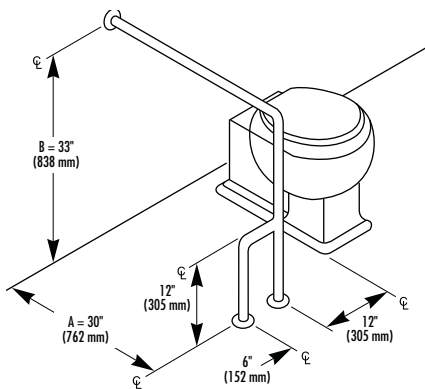
006

Opposite 005

"A" dimension will always have stand off.



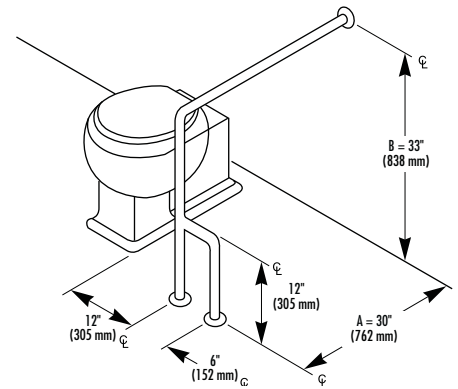
010



011

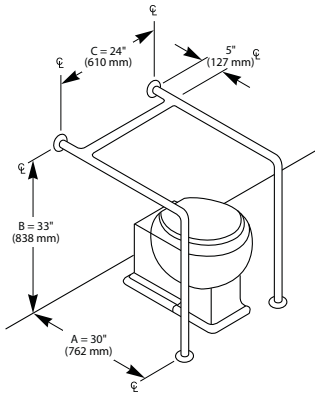
Opposite 010.

Note: When grab bar dimensions are modified, a support will be added to all sections longer than 54" (1372 mm).



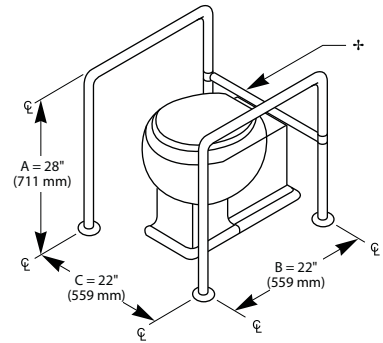
012

Confirm clearance between fixture or plumbing and grab bar in individual applications.



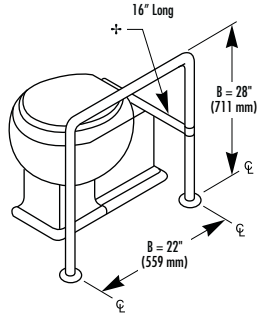
039

+ Bar slides to accommodate various size water closets. Flat bar 2" (51 mm) wide x .125" (3 mm) thick. 11 ga. bolts to toilet.



039-1

+ Bar adjustable for right or left hand mounting. Flat bar 2" (51 mm) wide x .125" (3 mm) thick. 11 ga. bolts to toilet.

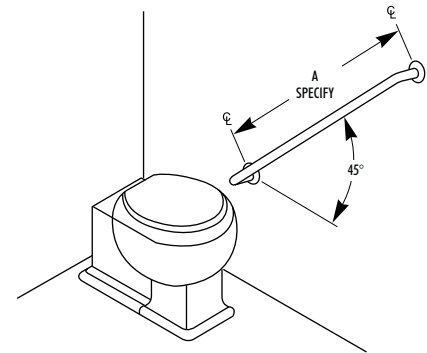


048

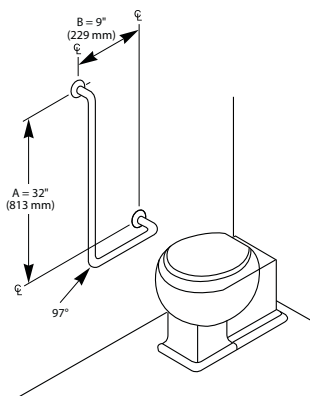
(shown)

049

Opposite hand

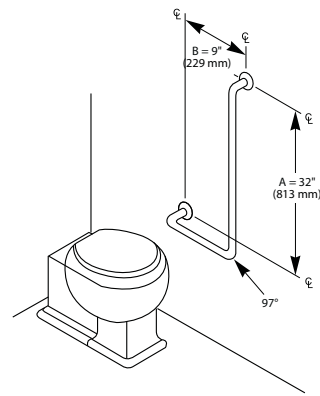


040

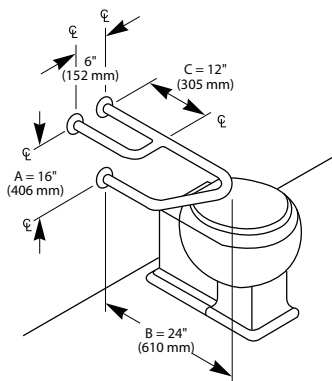


041

Opposite 040

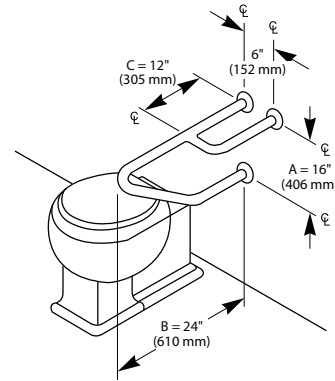


115



116

Opposite 115

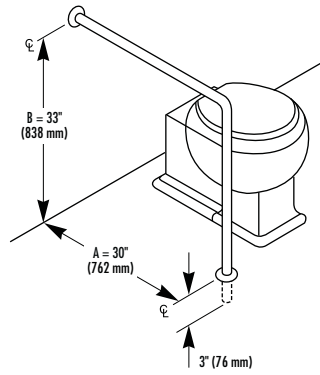


054

30" x 33" (762 mm x 838 mm)

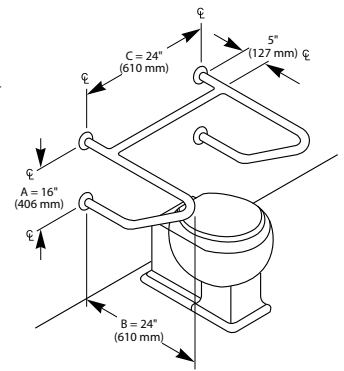
Note: 1" (25 mm) not available for this application.

Select dimensions can support up to 1,000 lb (454 Kg).



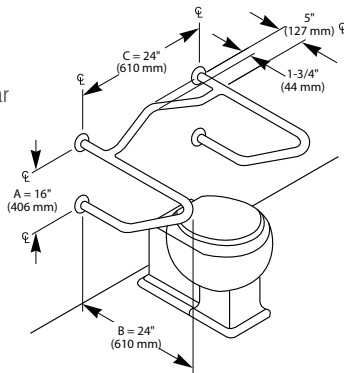
117

Confirm clearance between fixture or plumbing and grab bar in individual applications.



118

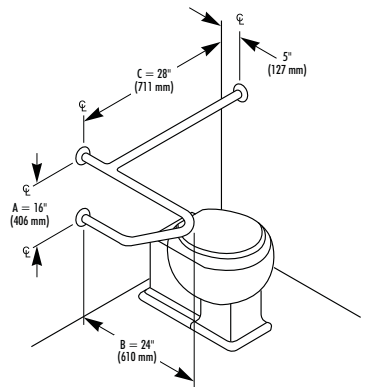
Confirm clearance between fixture or plumbing and grab bar in individual applications.



119

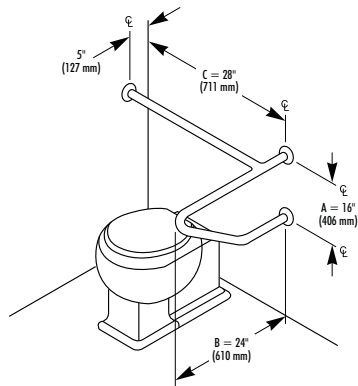
(Shown)

Confirm clearance between fixture or plumbing and grab bar in individual applications.



120

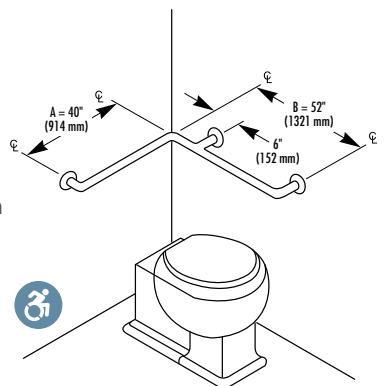
Opposite 119



059

Right Handed

For special sizes, specify 059 modified 00" x 00" (mm x mm). B side will have stand off. Select dimensions can support up to 1,000 lb (454 Kg).



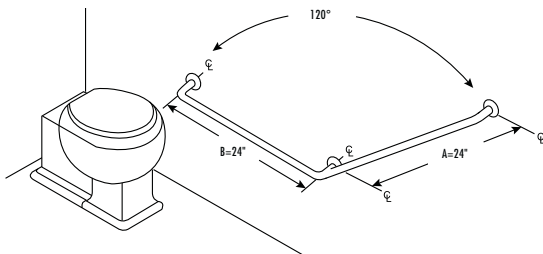
058

Left Handed (Opposite)

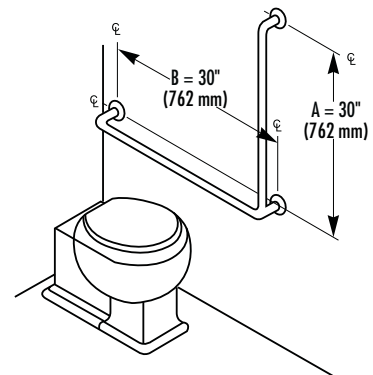


055

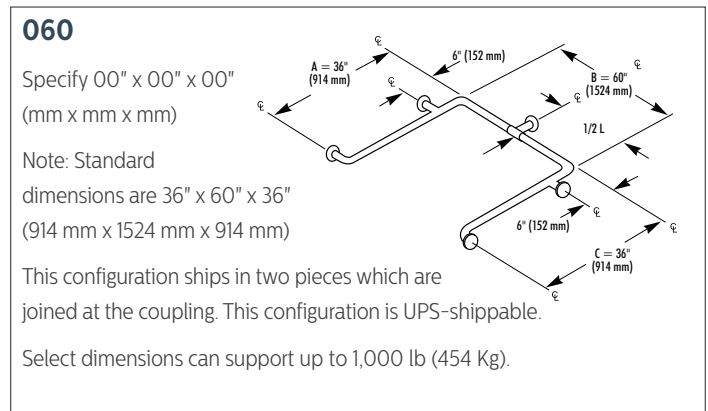
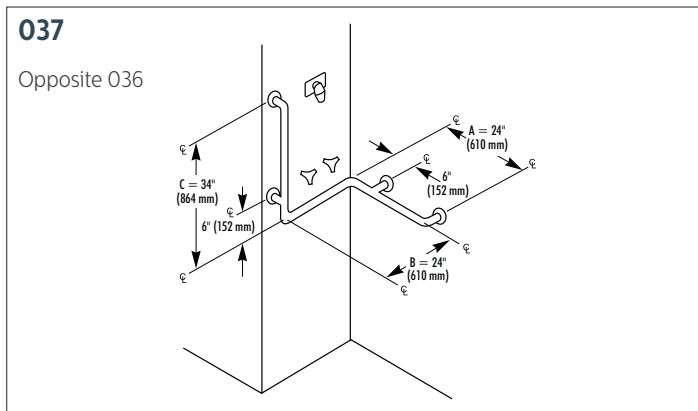
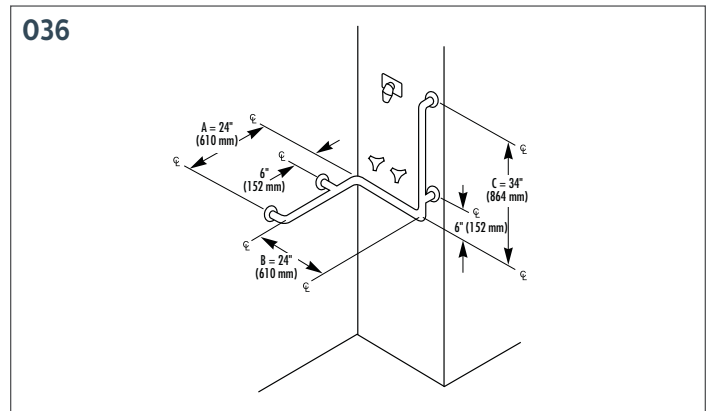
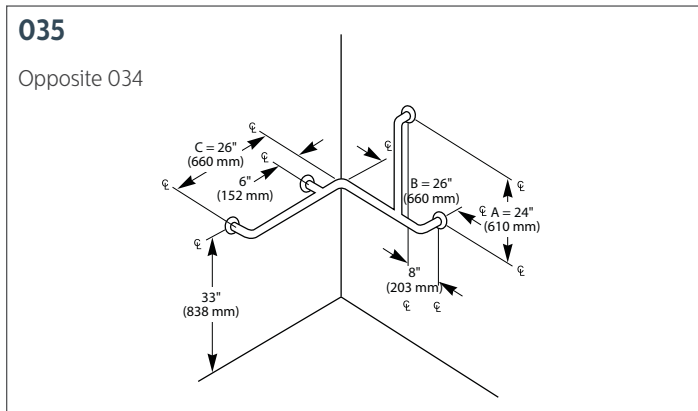
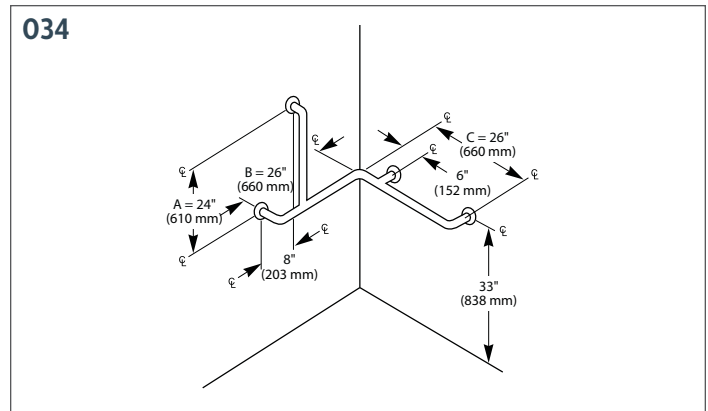
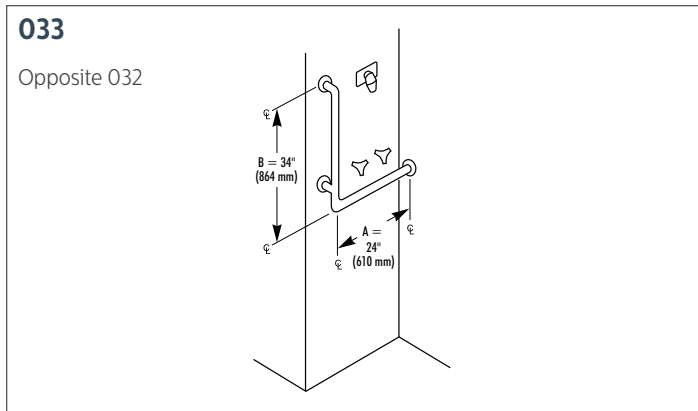
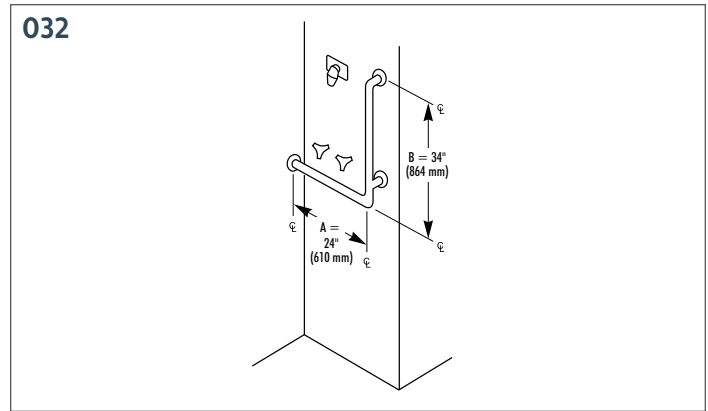
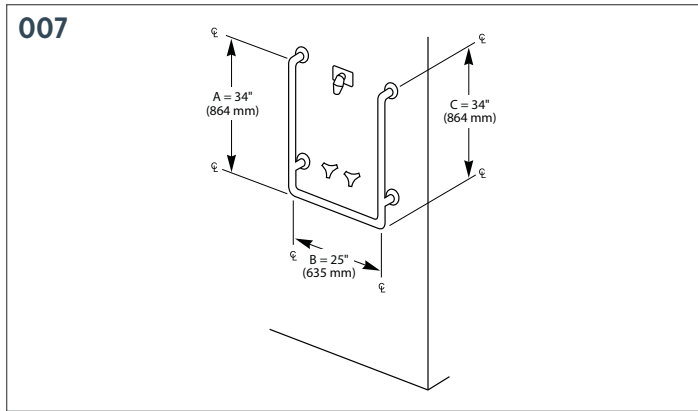
Select dimensions can support up to 1,000 lb (454 Kg).



057

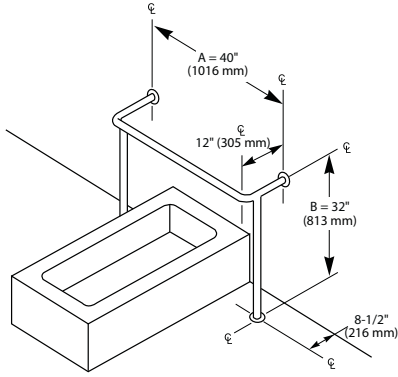


TYPICAL SHOWER APPLICATIONS



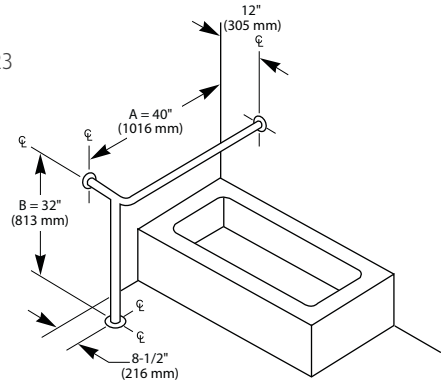
TYPICAL TUB APPLICATIONS

021

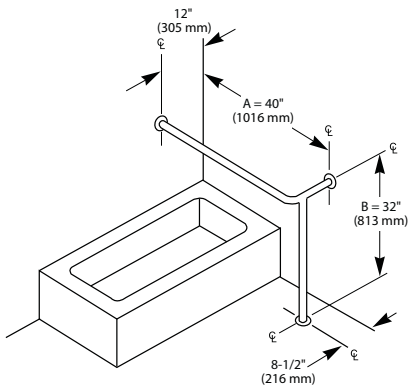


022

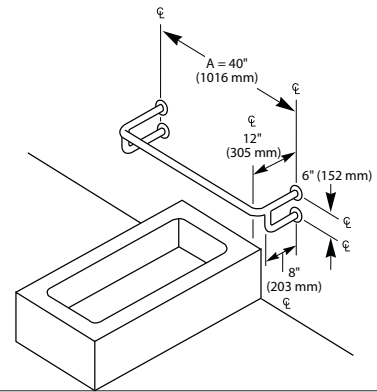
Opposite 023



023

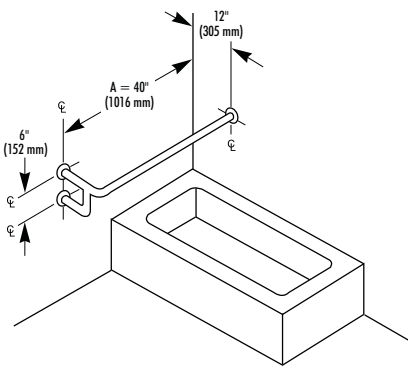


024

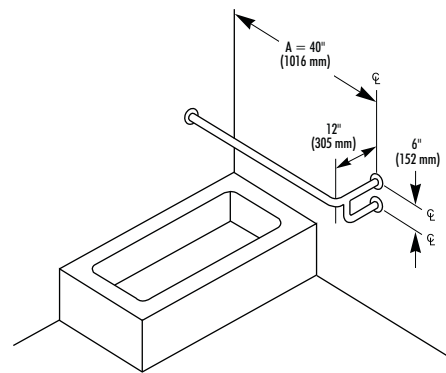


026

Opposite 027

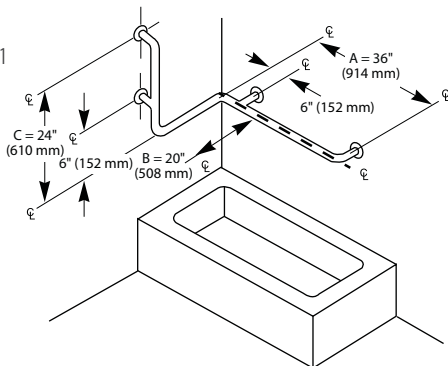


027

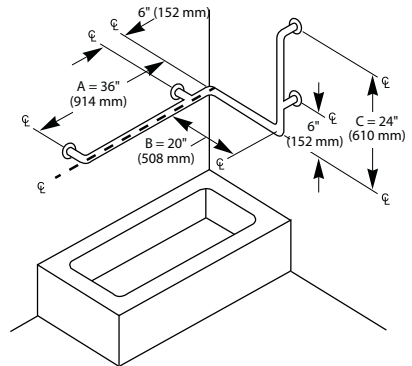


030

Opposite 031



031





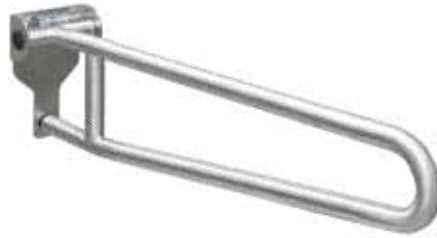
8170-158

Swing-away grab bar can be rotated to a support or departure position. Locks into support position. 1.5" O.D. (38 mm), 18-gauge stainless steel with exposed surfaces in architectural satin finish. Wall and floor flanges of 0.1875" (5 mm) thick stainless steel plate.

-2 Safety-Grip Finish

8170-1581

With Integral Tissue Dispenser



NEW 8370-107



Swing-up grab bar swings up when not in use. Designed to prevent it from accidentally falling into position. Operates with less than 5 lb (2.3 Kg) of force.

1.25" O.D. (32 mm), 18-gauge stainless steel with exposed surfaces in architectural satin finish. Bar projects 30" (762 mm) from wall when in horizontal position. Sleek, smaller wall-plate to comply with state of CT ICC/ANSI A117.1 - 2003

-2 Safety-Grip Finish



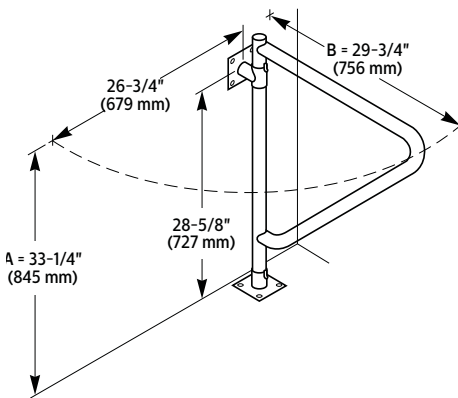
NEW 8370-108



Swing-up grab bar with integral tissue dispenser. Swings up when not in use. Operates with less than 5 lb (2.3 Kg) of force.

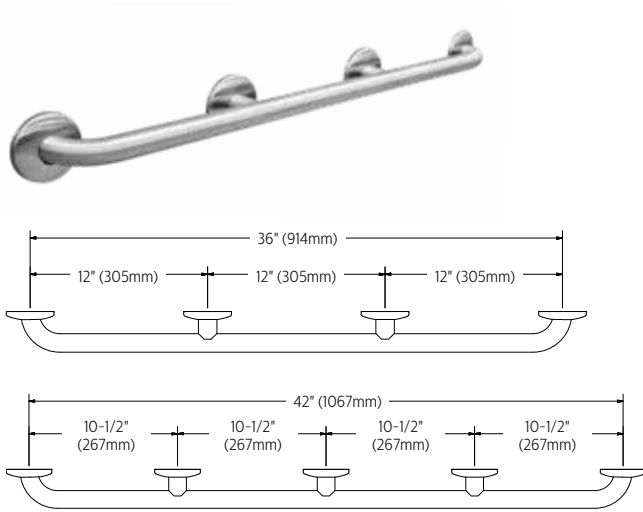
1.25" O.D. (32 mm), 18-gauge stainless steel with exposed surfaces in architectural satin finish. Tissue dispenser spindle of ABS plastic with concealed spring. Bar projects 30" (762 mm) from wall when in horizontal position. Sleek, smaller wall-plate to comply with state of CT ICC/ANSI A117.1 - 2003

-2 Safety-Grip Finish





Bradley grab bars are now stronger than ever bringing more options to specifiers and designers. Bradley bariatric grab bars are rated to 900 lb, 1000 lb and 1250 lb depending on the model. Now a single grab bar model can be specified for any restroom. Whether it's specifically healthcare or other applications, such as, hospitality, airports or education. A wide selection of grab bar configurations are available to cover a variety of restroom layouts.



NEW 8320-106360



1.25" O.D. (32 mm), 18-gauge stainless steel with exposed surfaces in architectural satin finish. Grab bar is 36" in length with 4 wall flanges that are made of 13 gauge stainless steel. Bent ends of tubing pass thru the flanges and are welded for maximum strength. Intermediate supports are contour cut and joined by welding to form an integral part of the grab bar.

-2 Safety-Grip Finish

NEW 8320-106420



Grab bar is 42" in length with 5 wall flanges that are made of 13 gauge stainless steel.

-2 Safety-Grip Finish

CONFIGURATION INFORMATION & OPTIONAL FEATURES

Bariatric Models		852/857	832/837	812/817	8320-106
OD		1"	1-1/4"	1-1/2"	1-1/4"
Rating (LBS)		900	900	1000	1250
Configuration Number	Grab Bar Length	Bariatric Models			
		852/857	832/837	812/817	8320-106
001-12	12"		X	X	
001-18	18"	X	X	X	
001-24	24"	X	X	X	
001-36	36"		X	X	X
001-48	48"		X	X	X
001-54	54"			X	
059	up to 42" x 54"		X	X	
057	30" x 30"		X	X	
054	33" x 30"			X	
055	24" x 24"			X	
060	36" x 60" x 36"			X	

Features	Suffix
Safety-grip finish	-2
High-polish finish	-4
Safety grip with high-polished finish	-7
Antimicrobial finish: 1-1/2" - 001-18", 001-24", & 001-36" only	-AM

BX Standard Finish

BX Standard or Safety Grip Finish (-2)

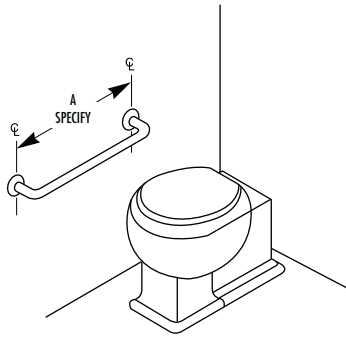
TYPICAL WATER CLOSET APPLICATIONS

001

Model 812 (54" max)

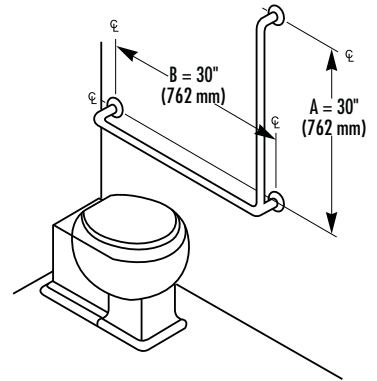
Model 832 (48" max)

Model 852 (24" max)



057

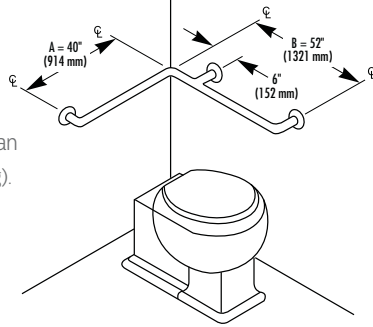
30" X 30"



059

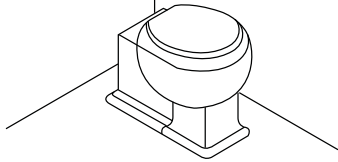
Right Handed

For special sizes, specify 059 modified 00" x 00" (mm x mm). B side will have stand off. Select dimensions can support up to 1,000 lb (454 Kg).



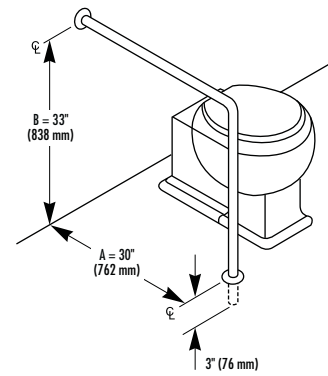
058

Left Handed (Opposite)



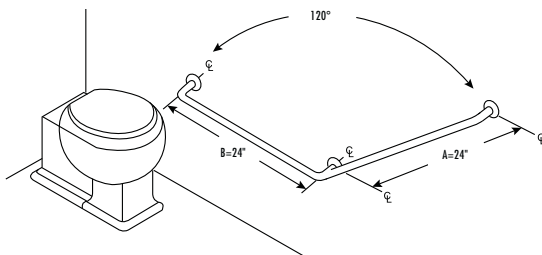
054

30" X 30"



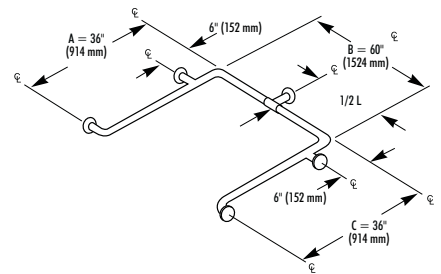
055

24" x 24"











060

This configuration ships in two pieces which are joined at the coupling. This configuration is UPS-shippable.



Clean. Efficient. Fast. Bradley's complete line of Aerix® hand dryers cover any application or budget. These dryers reduce paper towel and energy costs, protect the environment, keep noise levels down and are easy to use and maintain. Aerix+ dryers incorporate the latest technology for the fastest drying times available.

DRYER LINE	AERIX +			AERIX				
TRAFFIC	VERY HIGH			HIGH		MEDIUM		
MODEL								
	2923-2874 2923-28B 2923-28W	2921-S0000H	2922-2873 2922-2874	2901-2873 2901-2874	2902-2874	2903-2800	2904-2800	2905-2873
ADJUSTABLE SPEED	•	•	•	•	•			
ADA	•	•			•			
UNIVERSAL VOLTAGE	•			•	•			
RETROFIT	•	•	•	•	•	•	•	•
VANDAL RESISTANT	•	•	•	•	•	•	•	
DRYING TIME (SECONDS)	10-12	10-12	10-12	12-15	12-15	29	29	38
ANTIMICROBIAL TECHNOLOGY	•	•	•					
HEPA FILTRATION	•	•						
APPLICATION	Any Environment	Stadiums & Arenas, Schools, Transit Stations, Airports	Stadiums & Arenas, Schools, Transit Stations, Airports	Offices, Schools, Libraries, Malls, Theme Parks, Movie Theaters	Malls, Restaurants, Hotels, Spas, Museums, Movie Theaters	Schools, Fast Food Restaurants, Manufacturing Facilities	Schools, Rest Areas, Campgrounds	Childcare Facilities, Religious Facilities, Small Offices



NEW 2923-287400

Extremely energy efficient, surface-mounted, ADA compliant hand dryer featuring HEPA filtration system and antimicrobial technology. With adjustable two-speed motor controls and universal voltage features, these new hand dryers accommodate any commercial washroom environment. Fast drying time. SteriTouch® antimicrobial technology. HEPA filter reduces contaminants in the air when hand drying. Adjustable two-speed controls to customize drying time, sound level and energy savings. 1/16" (2 mm) thick one-piece stainless steel; satin finish.

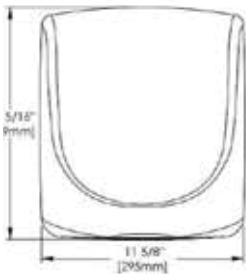
Overall dimensions: 13.3125"H x 11.625"W x 3.875"D (338mm x 295mm x 99mm)

NEW 2923-28W000

1/8" (3 mm) thick one-piece aluminum; white epoxy finish

NEW 2923-28S000

1/8" (3 mm) thick one-piece aluminum; black epoxy finish

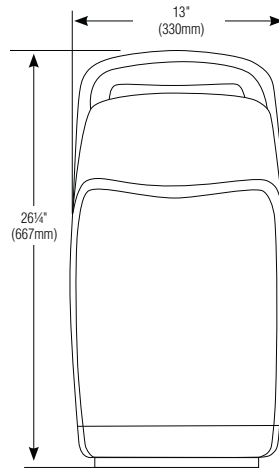


NEW 2921-H000



Aerix+ high speed, vertical dual-sided dryer. Surface mounted. Adjustable speed. High impact ABS cover in silver. 10-12 second dry time. 25% greater hand drying opening for more space. Easy-to-empty water collection reservoir for clean floors and walls. Replaceable HEPA filter.

Overall dimensions 13" W x 26.25" H x 9.25" D (330 x 667 x 235 mm)



2922-2873



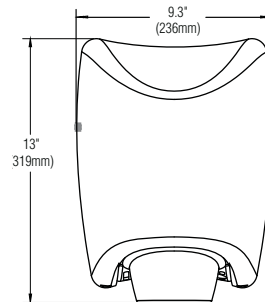
Aerix+ high speed, vertical dual-sided dryer. Surface-mounted. Adjustable speed. White cast aluminum cover with epoxy paint. 10-12 second dry time. The longest service life of any high speed hand dryer. Uses 40% less energy than any high speed hand dryer.

Overall dimensions 9.3" W x 13" H x 7.6" D (236 x 330 x 193 mm)

NEW 2922-2874



Surface-mounted. Stainless steel finish cover with satin finish.





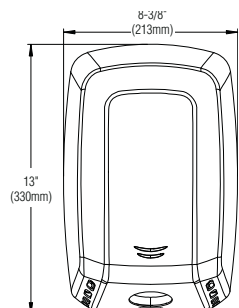
2901-2873

Surface-mounted. One-piece steel cover with white epoxy finish. 12-15 second dry time. Universal voltage. Adjustable speed. Quieter operation than other dryers on the market

Overall dimensions 8.4" W x 13" H x 6.6875" D (213 x 330 x 170 mm)

2901-2874

Surface-mounted. Stainless steel cover with satin finish



BX 2902-280000

Aerix adjustable speed dryer with 0.1875" (5 mm) thick porcelain cast iron cover, white. Adjustable speed hand dryer. "No-Touch" sensor operation. 12-15 second drying time. Universal voltage. Vandal-resistant. Surface-Mounted, Mounting holes match those of most popular models.

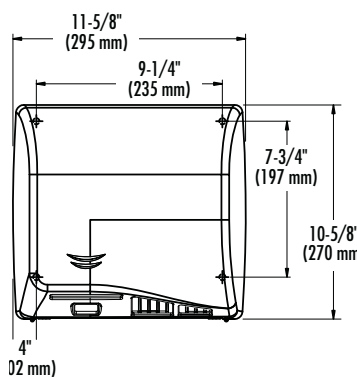
Overall dimensions 11.375" W x 10.6" H x 4" D (289 x 269 x 102 mm)

BX 2902-287300

0.0625" (2 mm) thick white enamel coated steel cover

2902-287400

0.0625" (2 mm) thick stainless steel cover with satin finish



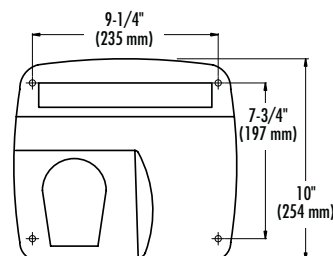
BX 2903-280000

Infrared sensor activation. Cast iron cover, white. 29 second drying time. Surface-mounted, mounting holes match those of most popular models.

Overall dimensions 11.125" W x 10" H x 8.25" D (283 x 254 x 210 mm)

2904-280000

Push button activation. Cast iron cover, white.

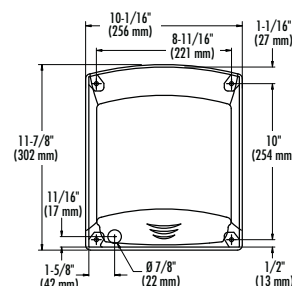


BX 2905-287300

2905-287300

Modern design. "No-Touch" sensor activation. Steel cover. 38 second drying time. Ideal for medium-to-low traffic and medium-to-low vandal applications

Overall dimensions 10.167" W x 11.875" H x 5.5" D (258 x 302 x 140 mm)



You need options and we have them. Accessories to fit every washroom – and every budget. Contemporary satin finish stainless steel design to match any decor in recessed, semi-recessed and surface-mounted styles. From stylish restaurants and office buildings to schools and recreation centers, Bradley's line of accessories will fit any application.



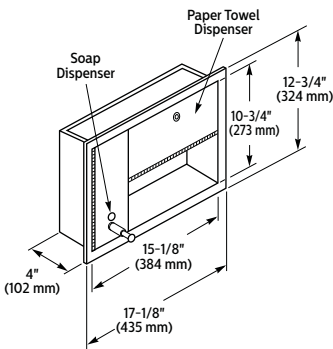
1471



Recessed unit dispenses 250 multi-fold or 150 C-fold towels. Swing out soap dispenser for filling with capacity for 40 oz (1.2 L) of liquid soap. Sight gauge indicates refill time.

-11 Surface-Mounted projects 4" (102 mm) from wall.

Rough wall opening 15.5" W x 11.25" H x 4" D
(394 x 286 x 102 mm)



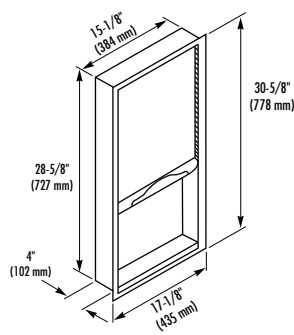
155

Mirrored door 15" W x 18" H (381 mm x 457 mm). 800 multi-fold or 600 C-fold towel capacity.

-10 Semi-Recessed projects 2" (51 mm) from wall

-11 Surface-Mounted projects 4" (102 mm) from wall

Rough wall opening 15.625" W x 29.125" H x 4" D
(397 x 740 x 102 mm)



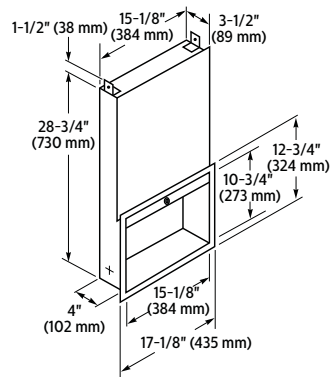
198



For use behind continuous mirror or finished wall. 800 multi-fold or 600 C-fold towel capacity. Lock secured.

Use with 0.5" (13 mm) thick drywall installations.

Rough wall opening 15.625" W x 30.25" H x 4" D
(397 x 768 x 102 mm)

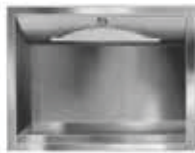
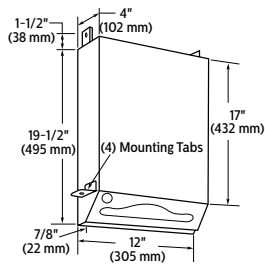




1981

In-wall mounted towel dispenser for use behind mirror. Dispenses 800 multi-fold or 600 C-fold towels. Lock secures behind hinged dispenser lip which opens for bottom refilling.

Rough wall opening 12.5" W x 18.5" H x 4" D
(318 x 470 x 102 mm)

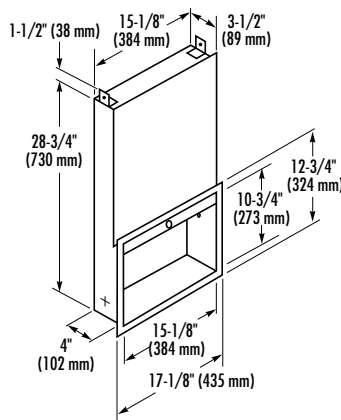


1985

For use behind continuous mirror or finished wall. 800 multifold or 600 C-fold towel capacity. Lock secures hinged towel dispenser lip which opens for refilling from bottom.

Rough wall opening 15.625" W x 30.25" H x 4" D
(397 x 768 x 102 mm)

Use with 0.625" (16 mm) thick drywall installations.



P10-636

Turn Knob Key changes any lock into a simple knob. Attaches permanently to any Bradley washroom accessory lock. Zinc Die Cast. Satin Chrome Finish. Turns any locked unit into a non-locked unit

Bradley Waste Receptacles provide convenience and durability. Units are fabricated of stainless steel with exposed surfaces in architectural satin finish. Recessed units feature one-piece, stainless steel flanges of welded construction with seamless corners, burr-free edges and 0.25" (6 mm) return to conceal wall irregularities.



NEW 369-11



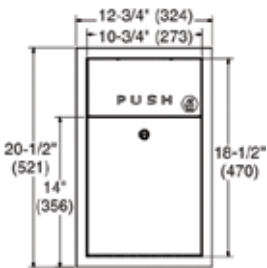
3A05



3A15-11



Surface mounted, 1.7 gal (6.4 L), stainless steel waste receptacle with seamless exposed surfaces in satin finish. Leakproof molded plastic.

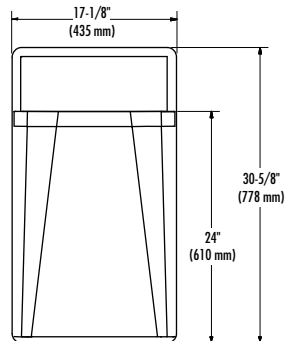


Designed with unique dual-curve geometry. Constructed of architectural satin finish stainless steel. 12 gal (45.4 L), removable, stainless steel waste receptacle. Secured to cabinet with tumbler lock. Recess-mounted.

-10 Semi-Recessed 2" (51 mm) in wall, projects 6.6875" (170 mm) from wall

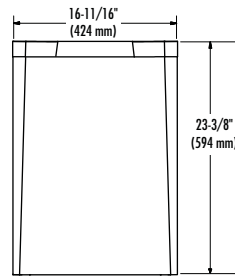
-11 Surface-Mounted projects 8.6875" (221 mm) from wall.

Rough wall opening 15.75" W x 29.1875" H x 4" D (400 x 741 x 102 mm)



Designed with unique dual-curve geometry. Constructed of architectural satin finish stainless steel. 16.5 gal (62.5 L), stainless steel waste receptacle.

Unit measures 16.6875" W x 23.375" H x 11.6875" D (424 x 594 x 297 mm)





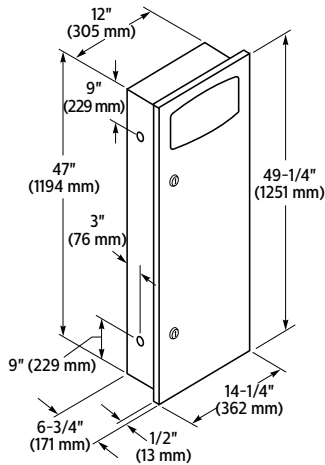
3157

Recessed unit with push-flap door and 9.2 gal (34.8 L), removable, leak-proof, molded-plastic insert.

–10 Semi-Recessed 3" (76 mm) in wall, projects 3.75" (95 mm) from wall

–11 Surface-Mounted projects 6.75" (171 mm) from wall.

Rough wall opening 12.5" W x 47.5" H x 6.5" D (318 x 1206 x 165 mm)



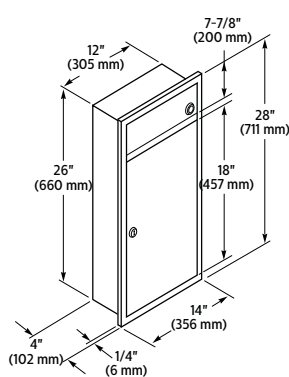
3251

Recessed unit with 2.8 gal (10.6 L), removable, leak-proof, molded-plastic, waste receptacle insert. Tumbler lock. Push-flap door with full-length piano hinge covers receptacle opening.

–10 Semi-Recessed 2" (51 mm) in wall, projects 2" (51 mm) from wall

–11 Surface-Mounted projects 4" (102 mm) from wall

Rough wall opening 12.5" W x 26.5" H x 4" D (318 x 673 x 102 mm)



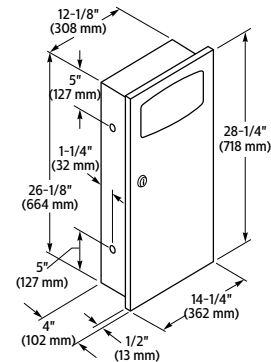
3257

Recessed unit with push-flap door and 2.8 gal (10.6 L), removable, leak-proof, molded-plastic insert.

–10 Semi-Recessed 2" (51 mm) in wall, projects 2" (51 mm) from wall.

–11 Surface-Mounted projects 4" (102 mm) from wall.

Rough wall opening 12.625" W x 26.625" H x 4" D (321 x 676 x 102 mm)





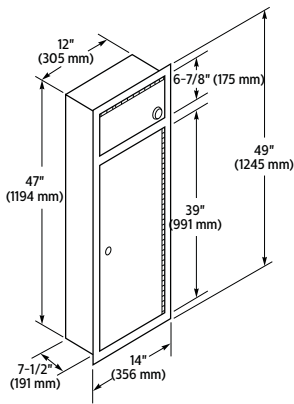
315-35

Recessed unit with full-length piano hinge and tumbler lock keyed alike to companion Bradley units. 9.2 gal (34.8 L), removable, leak-proof, molded-plastic insert. Push-flap door with full-length piano hinge covers receptacle opening.

-10 Semi-Recessed 3.5" (89 mm) in wall, projects 4" (102 mm) from wall.

-11 Surface-Mounted projects 7.5" (191 mm) from wall.

Rough wall opening 12.5" W x 47.5" H x 7.5" D (318 x 1207 x 191 mm)



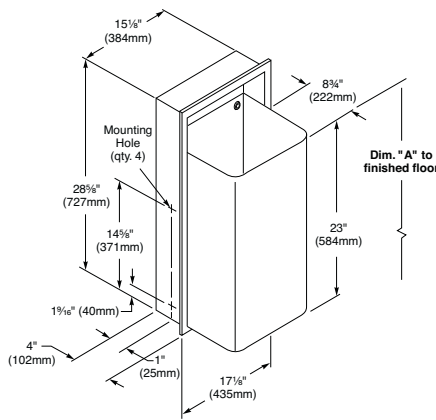
334

Recessed waste receptacle shall be fabricated of heavy gauge stainless steel with seamless exposed surfaces in satin finish. Removable 18 gal (68.1 L) stainless steel waste receptacle. Heavy-duty vinyl liner is optional. Receptacle secured to cabinet with tumbler lock.

-10 Semi-Recessed 2" in wall, project 10.75" from wall.

-11 Surface-Mounted projects 12.75" from wall.

Overall dimensions: 17.125" W x 30.625" H x 12.75" D (435 x 778 x 324 mm)



344

Recessed, 12-gallon, removable, stainless steel waste receptacle. Secured to cabinet with tumbler lock. Heavy-duty, reusable, 12 gal (45.4 L) liner available as an accessory. Order separately using part number P11-004.

-10 Semi-Recessed 2" (51 mm) in wall, projects 6.75" (171 mm) from wall

-11 Surface-Mounted projects 8.6875" (221 mm) from wall

Rough wall opening 15.625" W x 29.125" H x 4" D (397 x 740 x 102 mm)

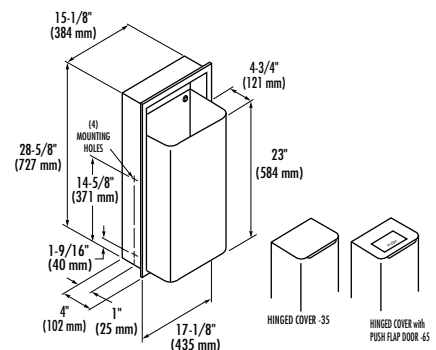
Receptacle projects 4.75" (121 mm)

344-35

Hinged Cover Unit

344-65

Push-Flap Door Unit





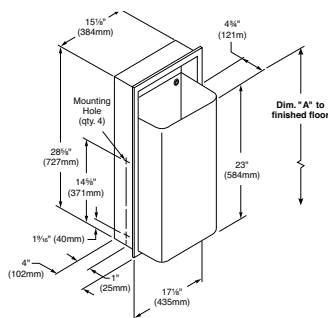
346

Recessed waste receptacle made of heavy gauge stainless steel with seamless exposed surfaces and tumbler lock. in satin finish. Removable 12 gal (45.4 L) stainless steel waste receptacle. Heavy-duty vinyl liner is optional. tumbler lock.

-10 Semi-Recessed 4" (102 mm) in wall, projects 4.75" (121 mm) from wall

-11 Surface-Mounted projects projects 8" (222 mm) from wall.

Rough wall opening 15.625"W x 29.125" H x 6" D (397 x 740 x 102 mm)



355

Surface mounted, 20.6 gal (78 L), stainless steel waste receptacle. Heavy-duty, reusable, 20.6 gal (78 L) liner available as an accessory. Order separately using part number P11-005.

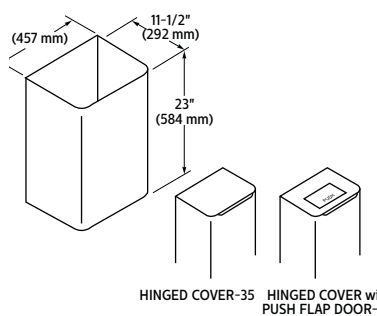
Unit measures 18" W x 23" H x 11.5" D (457 x 584 x 292 mm)

355-35

Hinged Cover Unit

355-65

Hinged Cover with Push Flap Door



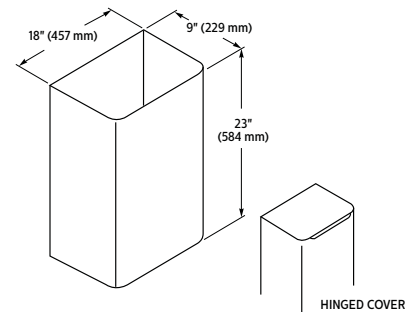
356

16.5 gal (62.5L), stainless steel waste receptacle. Heavy-duty, reusable, 16.5 gal (62.5L) liner available as an accessory. Order separately using part number P11-006.

Unit measures 18" W x 23" H x 9" D (457 x 584 x 229 mm)

356-35

Hinged Cover Unit

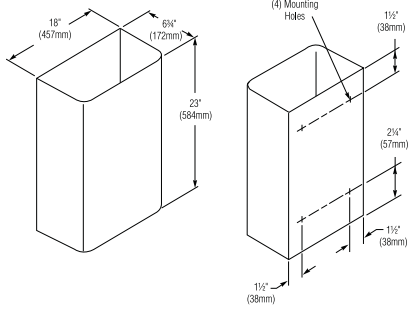




3565



12 gal (45.4 L), stainless steel waste receptacle.



357

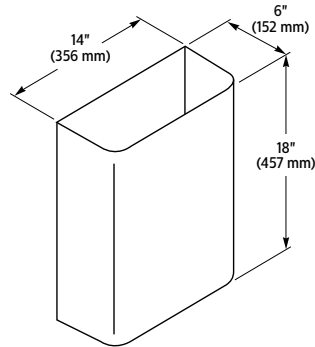
6.5 gal (24.6 L), stainless steel waste receptacle. Heavy-duty, reusable, 6.5 gal (24.6 L) liner available as an accessory. Order separately using part number P11-007.

Unit measures 14" W x 18" H x 6" D
(356 x 457 x 152 mm)

357-35



Hinged Cover Unit



377



Freestanding, 13 gal (49.2 L), stainless steel waste receptacle. Removable swing top

Unit measures 29.5" H x 12.5" SQ (749 x 318 mm)

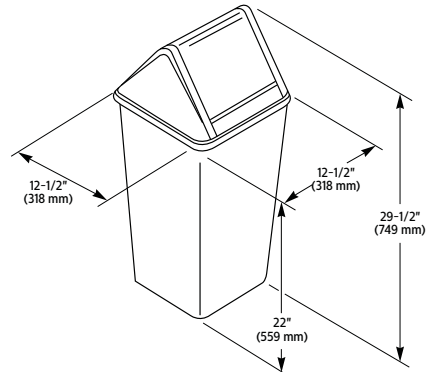
377-37



Less Swing Top

P15-025

Cover Only





377-36



Freestanding, 21 gal (79.5 L), stainless steel waste receptacle. Removable swing top

Unit measures 37.5" H x 14" SQ (953 x 356 mm)



377-38

Freestanding, 36 gal (136.3 L), stainless steel waste receptacle. Removable swing top

Unit measures 37.5" H x 18" SQ (953 x 457 mm)



P10-696

Unit fabricated of stainless steel of drawn seamless construction and bright polished finish

Countertop rough-in 6" (152 mm) diameter hole

Overall dimensions 6.75" diameter x 3.5"D (171 x 89 mm)



377-3637



Less Swing Top

377-3738



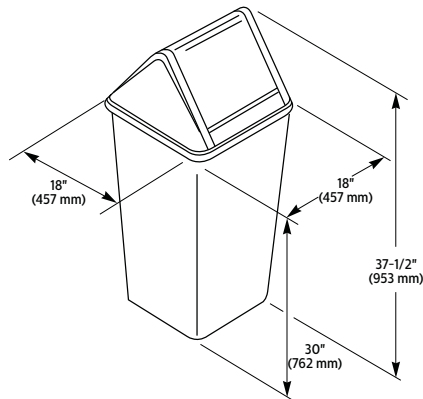
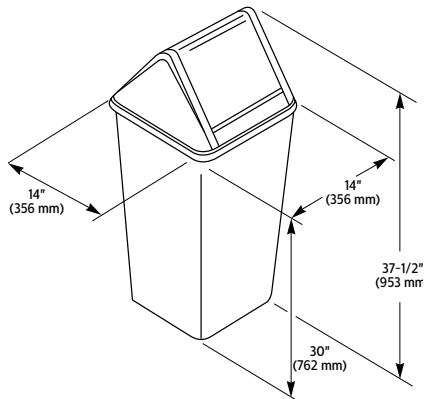
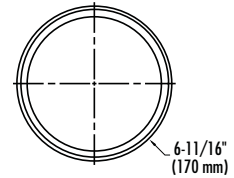
Less Swing Top

P15-098

Cover Only

P15-195

Cover Only





2A00



Designed with unique dual-curve geometry. Constructed of architectural satin finish stainless steel. Dispenses 800 multi-fold or 600 C-fold towels.

-10 Semi-Recessed 2" (51 mm) in wall, projects 4.5625" (116 mm) from wall.

Rough wall opening 15.5" W x 29.125" H x 4" D
(394 x 740 x 102 mm)

2A01



Lever operated towel dispenser delivers preset length of towel (5.5" (140 mm) per stroke). Towel dispenser capacity is one standard core 8" (203 mm) W x 8" (203 mm) diameter standard roll paper towels.

-10 Semi-Recessed 4" (102 mm) in wall, projects 8.5" (216 mm) from wall.

-11 Surface-Mounted projects 12.5" (318 mm) from wall.

Rough wall opening 15.5" W x 29.125" H x 9.75" D
(394 x 740 x 248 mm)

2A02

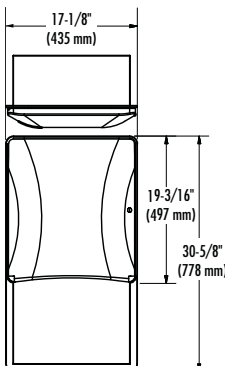
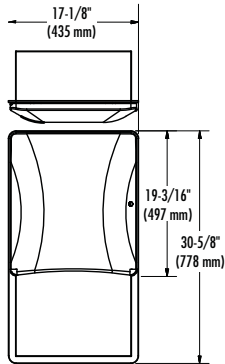
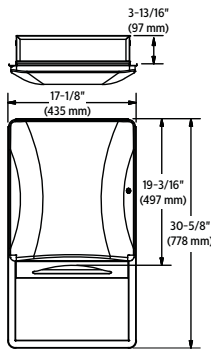


Sensor-activated roll paper towel dispenser delivers 10" (254 mm) per operation. Towel dispenser capacity is one standard core 8" (203 mm) W x 8" (203 mm) diameter standard roll paper towels.

-10 Semi-Recessed 4" (102 mm) in wall, projects 8.5" (216 mm) from wall.

-11 Surface-Mounted projects 13.25" (337 mm) from wall.

Rough wall opening 15.5" W x 29.125" H x 9.75" D
(394 x 740 x 248 mm)



2A09

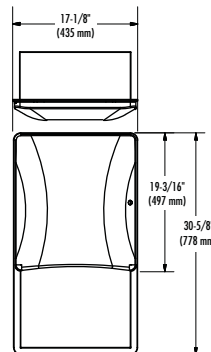


Designed with unique dual-curve geometry. Constructed of architectural satin finish stainless steel. Designed for field installation of customer-provided towel dispenser. Suggested use with 2496 and 2497.

-10 Semi-Recessed 4" (102 mm) in wall, projects 8.5" (216 mm) from wall.

-11 Surface-Mounted projects 13.25" (337 mm) from wall.

Rough wall opening 15.5" W x 29.125" H x 9.75" D
(394 x 740 x 248 mm)



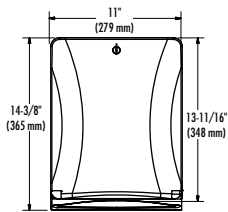


2A10-11



Designed with unique dual-curve geometry. Constructed of architectural satin finish stainless steel. Surface-mounted, paper towel dispenser. Dispenses 800 multi-fold or 600 C-fold towels.

Unit measures 11" W x 14.375" H x 5.25" D (279 x 365 x 133 mm)



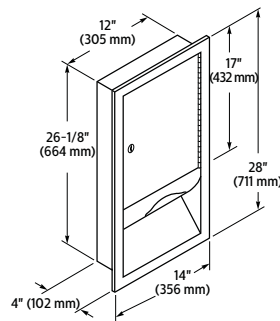
244

Constructed of architectural satin finish stainless steel. Dispenses 800 multi-fold or 600 C-fold towels.

-10 Semi-Recessed 2" (51 mm) in wall, projects 2" (51 mm) from wall

-11 Surface-Mounted projects 4" (102 mm) from wall

Rough wall opening 12.5" W x 26.625" H x 4" D (318 x 676 x 102 mm)



2441

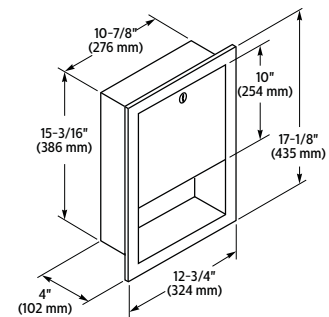


Constructed of architectural satin finish stainless steel. Dispenses 475 multi-fold or 350 C-fold towels.

-10 Semi-Recessed 2" (51 mm) in wall, projects 2" (51 mm) from wall

-11 Surface-Mounted projects 4" (102 mm) from wall

Rough wall opening 11.375" W x 15.6875" H x 4" D (289 x 398 x 102 mm)





2442



2447



247



Constructed of architectural satin finish stainless steel. Dispenses 400 multi-fold or 300 C-fold towels.

-10 Semi-Recessed 2.125" (54 mm) in wall, projects 2" (51 mm) from wall

-11 Surface-Mounted projects 4.125" (105 mm) from wall

Rough wall opening 11.40625" W x 15.75" H x 4" D (290 x 400 x 102 mm)

Constructed of architectural satin finish stainless steel. Dispenses 800 multi-fold or 500 C-fold towels.

-10 Semi-Recessed 1.625" (41 mm) in wall, projects 2.5" (64 mm) from wall

-11 Surface-Mounted projects 4.125" (105 mm) from wall

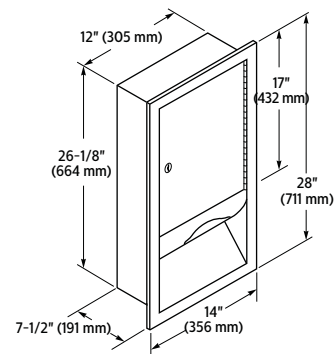
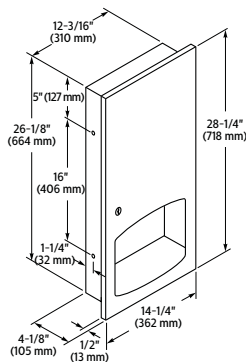
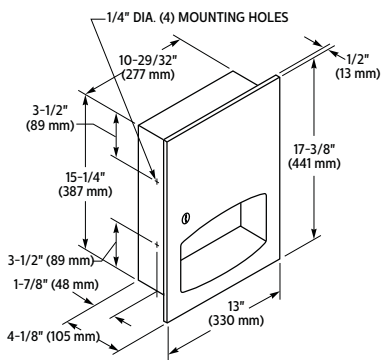
Rough wall opening 12.6875" W x 26.625" H x 4" D (322 x 676 x 103 mm)

Constructed of architectural satin finish stainless steel. Dispenses single-fold, 800 multi-fold or 500 C-fold towels.

-10 Semi-Recessed 3.5" (89 mm) in wall, projects 4" (102 mm) from wall.

-11 Surface-Mounted projects 7.5" (191 mm) from wall.

Rough wall opening 12.5" W x 26.625" H x 7.5" D (318 x 676 x 191 mm)





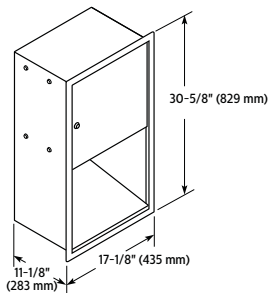
2479

Constructed of architectural satin finish stainless steel. Dispenses one standard core center pull towel roll up to 9" x 9" (229 mm x 229 mm) diameter.

-10 Semi-Recessed 3.5" (89 mm) in wall, projects 8" (203 mm) from wall.

-11 Surface-Mounted projects 11-3/8" from wall.

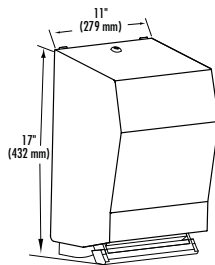
Rough wall opening 15.1875" W x 28.75" H x 11.125" D (386 x 730 x 283 mm)



2482-11

Constructed of architectural satin finish stainless steel. Surface-mounted, roll paper towel dispenser. Push-bar operated. Baked-enamel towel dispenser mechanism. Unit dispenses non-perforated roll towels up to 8" (203 mm) in diameter and 8" (203 mm) wide with core sizes from 1.5" (38 mm) to 2" (51 mm).

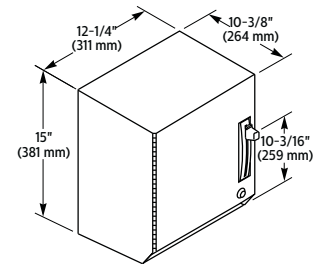
Unit measures 11" W x 17" H x 10.5" D (279 x 432 x 267 mm)



2483

Constructed of architectural satin finish stainless steel. Surface-mounted, roll paper towel dispenser. Lever operated. Dispenses one standard core 8" (203 mm) or 9" (229 mm) wide x 800' (243.9 M) long paper towel roll.

Unit measures 12.25" W x 15" H x 10.375" D (311 x 381 x 264 mm)

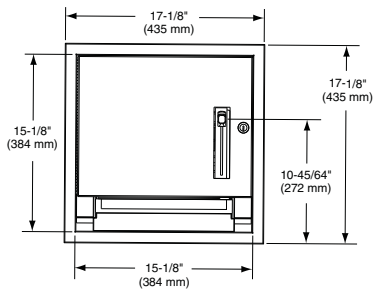




2484

Recessed or semi-recessed towel dispenser constructed of stainless steel with exposed surfaces in satin finish. Cabinet door secured with full length piano hinge and tumbler lock. Towel dispenser operated with less than 5 lb (2.3 Kg) of force. Dispenses one standard core 8" (203 mm) or 9" (229 mm) wide x 800' (243.9 M) long paper towel roll.

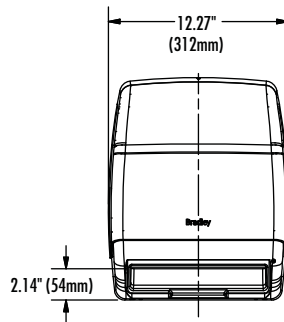
Unit measures 17.125" W x 17.125" H x 10.5" D
(435 x 435 x 267 mm)



2494

Constructed of high impact material. Door is translucent, and fabricated from durable high-impact plastic. Dispenses nonperforated roll towels up to 8" (203 mm) in diameter and 8" (203 mm) wide with core sizes from 1.5" (38 mm) to 2" (51 mm). Dispenser also allows for 3" (76 mm) diameter stub roll. Operates with 4 "D" size alkaline batteries. Batteries are not included. Automatic transfer system will integrate stub roll when the primary is nearly depleted. Low battery indicator. Sheet is fully protected until dispensed. The transfer system, roll holders and door are field replaceable. Complies with FCC regulation on EMC.

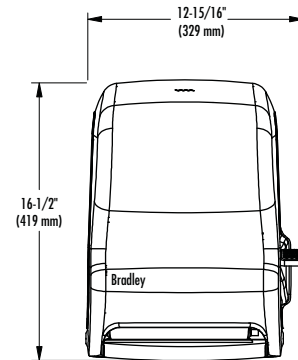
Unit measures 12.4375" W x 15.75" H x 9.5" D
(316 x 400 x 241 mm)



BX 2495

Constructed of high-impact plastic. Black translucent cover with speckled gray base. Black plastic handle is treated with Bio-Pruf® to inhibit bacteria growth. Dispenses one 8" (203 mm) wide paper towel roll and one 4" (102 mm) partial (stub) roll. 1.5" (38 mm) core diameter. Lever-operated dispensing mechanism will provide an adjustable means to dispense a nominal 5" (127 mm), 4" (102 mm) or 2.5" (64 mm) of toweling per lever stroke. Toweling will only be dispensed with the downward stroke of the lever.

Unit measures 12.9375" W x 16.5" H x 9.25" D
(329 x 419 x 235 mm)

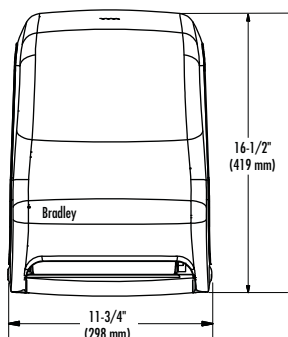




2496

Constructed of high impact material. Door is translucent, and fabricated from durable high-impact plastic. Dispenses nonperforated roll towels up to 8.5" (216 mm) in diameter and 8" (203 mm) wide with core sizes from 1.5" (38 mm) to 2" (51 mm). Dispenser also allows for 4" (102 mm) diameter stub roll. A 10" (254 mm) towel will be dispensed every time the sensor is activated. Operates with 4 "D" size alkaline batteries (not included). Automatic transfer system will integrate stub roll when the primary is nearly depleted. A flashing red indicator light indicates that batteries need to be replaced.

Unit measures 11.75" W x 16.5" H x 9.25" D
(298 x 419 x 235 mm)

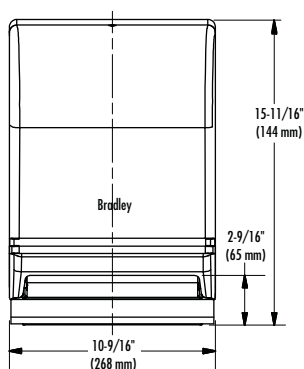


BX 2497



Constructed of high-impact plastic. Fiberglass-reinforced ABS plastic push lever. Dispenses non-perforated paper towels from 8" (203 mm) wide roll with core sizes from 1.5" (38 mm) to 2" (51 mm) diameter. Dispenser also allows for 4" (102 mm) diameter stub roll. The push lever dispensing mechanism delivers 5.5" (140 mm) of toweling with each stroke.

Unit measures 10.5625" W x 15.6875" H x 8.625" D
(268 x 398 x 219 mm)



BX 250-15

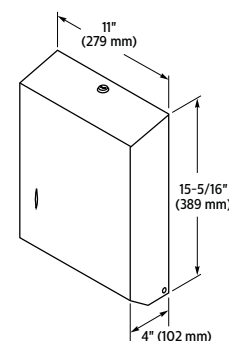


Constructed of architectural satin finish stainless steel. Surfacemounted, paper towel dispenser. Dispenses 525 multi-fold or 400 C-fold towels. Tumbler lock and bottom hinged. Refill indicator on cabinet face.

-33 White Enamel Finish

-1578 Bright Polish Finish

Unit measures 11" W x 15.3125" H x 4" D
(279 x 389 x 102 mm)





251-15



252



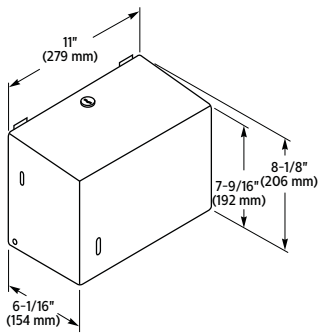
259



Constructed of architectural satin finish stainless steel. Surfacemounted, paper towel dispenser. Dispenses 400 single-fold towels. Tumbler lock and bottom hinged. Refill indicator on cabinet face.

-33 White Enamel Finish

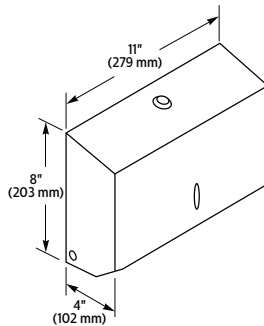
Unit measures 11" W x 8.125" H x 6.0625" D
(279 x 206 x 154 mm)



Constructed of architectural satin finish stainless steel. Surfacemounted, paper towel dispenser. Dispenses 350 multi-fold or 200 C-fold towels. Cabinet secured with tumbler lock and hinges at bottom. Refill indicator on cabinet face.

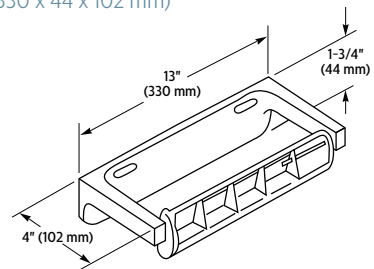
-78 Bright Polish Finish

Unit measures 11" W x 8" H x 4" D
(279 x 203 x 102 mm)



Surface-mounted, roll paper towel dispenser. Constructed of die-cast aluminum. Controlled delivery mechanism. Spring allows spindle to be released for filling. Holds one standard core roll paper towels to 6" (152 mm) diameter x 11" (279 mm) wide.

Unit measures 13" W x 1.75" H x 4" D
(330 x 44 x 102 mm)





2A05

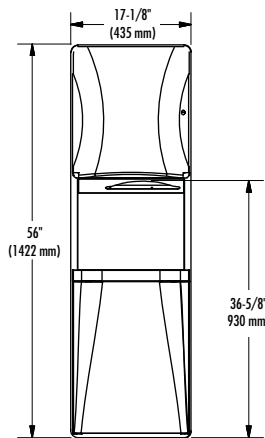


Designed with unique dual-curve geometry. Constructed of architectural satin finish stainless steel. Dispenses 800 multifold and 600 C-fold paper towels. 12 gal (45.4 L), stainless steel waste receptacle.

–**10** Semi-Recessed 2" (51 mm) in wall, projects 6.6875" (170 mm) from wall.

–**11** Surface-Mounted projects 8.6875" (221 mm) from wall.

Rough wall opening 15.75" W x 54.5" H x 4" D
(400 x 1384 x 102 mm)



2A95-36

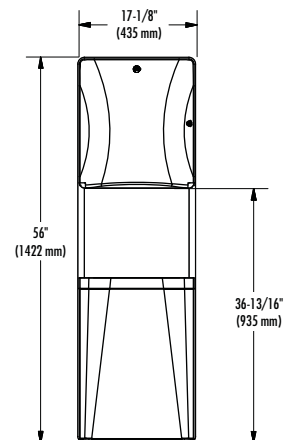
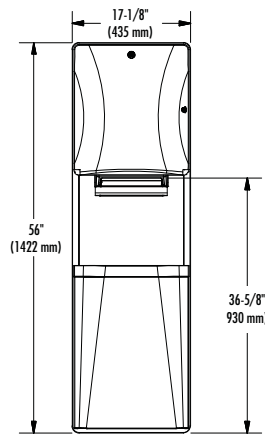


Designed with unique dual-curve geometry. Constructed of architectural satin finish stainless steel. Designed for field installation of customer-provided towel dispenser. Suggested use with 2494, 2496, and 2497. 21 gal (79.5 L) stainless steel waste receptacle.

–**1036** Semi-Recessed 3.5" (89 mm) in wall, projects 9.3125" (237 mm) from wall

–**1136** Surface-Mounted projects 12.8125" (325 mm) from wall

Rough wall opening 15.625" W x 54.625" H x 9.875" D
(397 x 1387 x 251 mm)



2A15-36

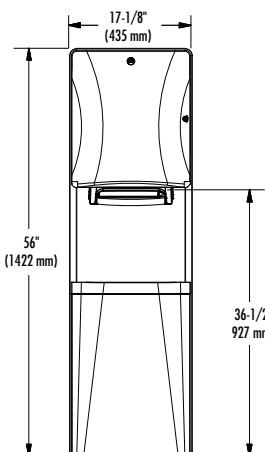


Lever operated towel dispenser delivers preset length of towel (5.5" (140 mm) per stroke). Towel dispenser capacity is one standard core 8" (203 mm) W x 8" (203 mm) diameter standard roll paper towels. 21 gal (79.5 L) stainless steel waste receptacle.

–**1036** Semi-Recessed 4" (102 mm) in wall, projects 10.6875" (271 mm) from wall

–**1136** Surface-Mounted projects 14.6875" (373 mm) from wall

Rough wall opening 15.625" W x 54.625" H x 9.875" D
(397 x 1387 x 251 mm)



2A25-36



Sensor-activated roll paper towel dispenser delivers 10" (254 mm) per operation. Towel dispenser capacity is one standard core 8" (203 mm) W x 8" (203 mm) diameter standard roll paper towels. 21 gal (79.5 L) stainless steel waste receptacle.

–**1036** Semi-Recessed 4" (102 mm) in wall, projects 10.6875" (271 mm) from wall

–**1136** Surface-Mounted projects 14.6875" (373 mm) from wall

Rough wall opening 15.625" W x 54.625" H x 9.875" D
(397 x 1387 x 251 mm)



2017



2027



2037



Constructed of architectural satin finish stainless steel. Dispenses 1,100 single-fold, 800 multi-fold or 600 C-fold towels. Waste receptacle has push-flap door and 4.9 gal (18.5 L), removable, molded-plastic insert.

- 10 Semi-Recessed 3.5" (89 mm) in wall, projects 2.5" (64 mm) from wall
- 11 Surface-Mounted projects 6" (152 mm) from wall

Rough wall opening 11.75" W x 53.625" H x 5.75" D (298 x 1362 x 146 mm)

Constructed of architectural satin finish stainless steel. Dispenses 800 multi-fold or 600 C-fold towels. Waste receptacle has 3.3 gal (12.5 L), removable, molded-plastic insert.

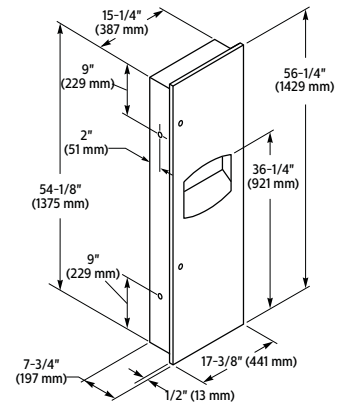
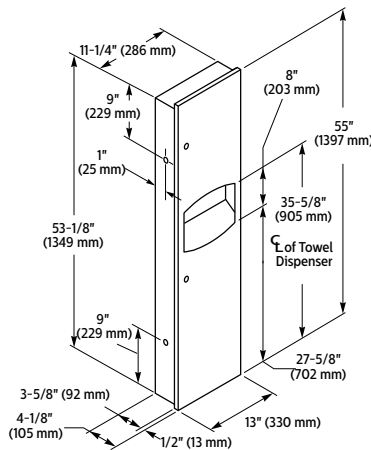
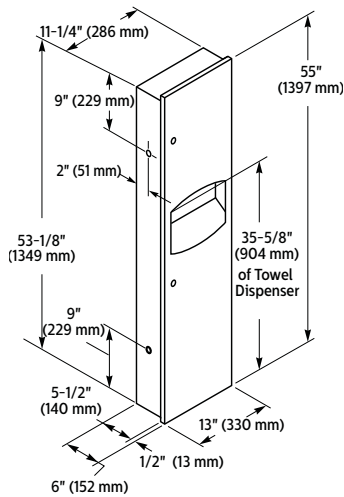
- 10 Semi-Recessed 2.375" (60 mm) in wall, projects 2" (51 mm) from wall
- 11 Surface-Mounted projects 4.375" (111 mm) from wall

Rough wall opening 11.75" W x 53.625" H x 3.75" D (298 x 1362 x 146 mm)

Constructed of architectural satin finish stainless steel. Dispenses 1,100 single-fold, 800 multi-fold or 600 C-fold towels. Waste receptacle has 11.2 gal (42.4 L), removable, molded-plastic insert.

- 10 Semi-Recessed 3.75" (95 mm) in wall, projects 4" (102 mm) from wall
- 11 Surface-Mounted projects 7.75" (197 mm) from wall

Rough wall opening 15.75" W x 54.625" H x 7.5" D (400 x 1387 x 191 mm)





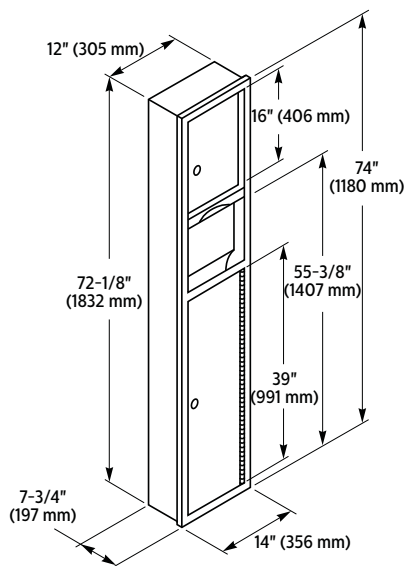
225

Constructed of architectural satin finish stainless steel. Adjustable towel guide dispenses 1,000 single-fold, 800 multi-fold or 600 C-fold towels. Waste receptacle has 9.2 gal (34.8 L), removable, leak-proof, molded-plastic insert.

-10 Semi-Recessed 3.5" (89 mm) in wall, projects 4" (102 mm) from wall.

-11 Surface-Mounted projects 7.5" (191 mm) from wall.

Rough wall opening 12.5" W x 72.75" H x 7.75" D
(318 x 1848 x 197 mm)



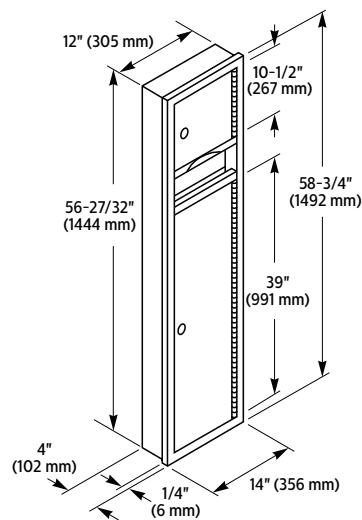
2251

Constructed of architectural satin finish stainless steel. Dispenses 450 multi-fold or 250 C-fold towels. Waste receptacle has 5.3 gal (20.1 L), removable, molded-plastic insert.

-10 Semi-Recessed 2" (51 mm) in wall, projects 2" (51 mm) from wall

-11 Surface-Mounted projects 4" (102 mm) from wall

Rough wall opening 12.5" W x 57.34375" H x 4" D
(318 x 1457 x 102 mm)



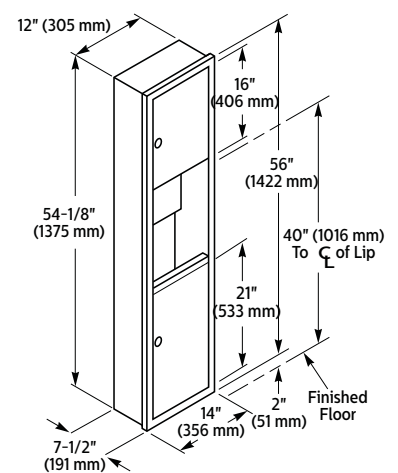
2252

Constructed of architectural satin finish stainless steel. Adjustable towel guide dispenses 1,000 single-fold, 700 multi-fold or 400 C-fold towels. Waste receptacle has 4.9 gal (18.5 L), removable, leak-proof, molded-plastic insert.

-10 Semi Recessed 3.5" (89 mm) in wall, projects 4" (102 mm) from wall

-11 Surface Mounted projects 7.5" (191 mm) from wall

Rough wall opening 12.5" W x 54.625" H x 7.5" D
(318 x 1387 x 191 mm)





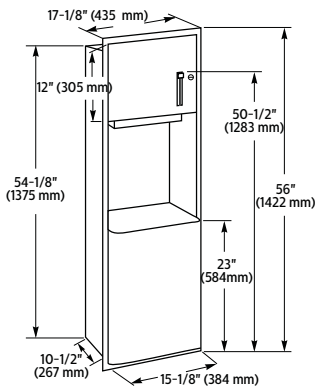
227

Constructed of architectural satin finish stainless steel. Towel dispenser capacity is one standard core 8" (203 mm) or 9" (229 mm) wide x 800" (243.9 M) long paper towel roll. Waste receptacle is 18 gal (68.1 L) removable stainless steel.

-10 Semi-Recessed 3.5" (89 mm) in wall, projects 9.3125" (237 mm) from wall

-11 Surface-Mounted projects 12.8125" (325 mm) from wall.

Rough wall opening 15.625" W x 54.625" H x 10.5" D (397 x 1387 x 267 mm)



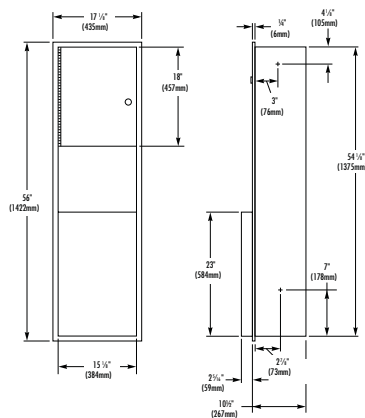
2271

Unit without Roll Towel Mechanism. Designed for field installation of customer-provided towel dispenser. Suggested use with 2494, 2496 or 2497.

-10 Semi-Recessed 3.5" (89 mm) in wall, projects 9.3125" (237 mm)

-11 Surface-Mounted projects 12.8125" (325 mm) from wall

Rough wall opening 15.625" W x 54.625" H x 10.5" D (397 x 1387 x 267 mm)



2277

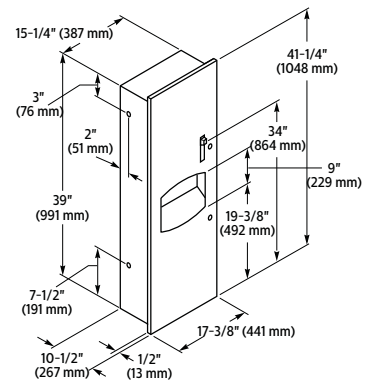


Constructed of architectural satin finish stainless steel. Dispenses one standard core roll 8" (203 mm) or 9" (229 mm) wide x 800" (243.9 M) long paper towel roll. Waste receptacle has 10.5 gal (37.7 L), removable, molded-plastic insert.

-10 Semi-Recessed 3.5" (89 mm) in wall, projects 7" (178 mm)

-11 Surface-Mounted projects 10.5" (267 mm) from wall.

Rough wall opening 15.75" W x 39.5" H x 10.25" D (400 x 1003 x 260 mm)





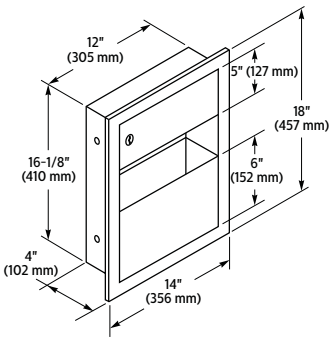
229

Constructed of architectural satin finish stainless steel. Dispenses 200 multi-fold or 100 C-fold towels. Waste receptacle has 1.25 gal (4.7L), removable, stainless steel insert.

-10 Semi-Recessed 2" (51 mm) in wall, projects 2" (51 mm) from wall.

-11 Surface-Mounted projects 4" (102 mm) from wall.

Rough wall opening 12.5" W x 16.5" H x 4" D (318 x 419 x 102 mm)



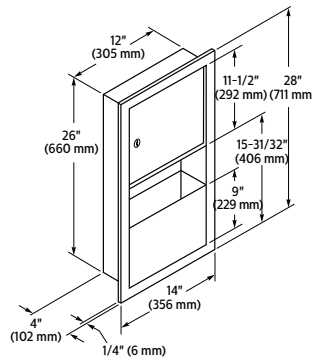
2291

Constructed of architectural satin finish stainless steel. Dispenses 475 multi-fold or 350 C-fold towels. Waste receptacle has 2 gal (7.6 L), removable, stainless steel insert.

-10 Semi-Recessed 2" (51 mm) in wall, projects 2" (51 mm) from wall.

-11 Surface-Mounted projects 4" (102 mm) from wall.

Rough wall opening 12.5" W x 26.5" H x 4" D (318 x 673 x 102 mm)



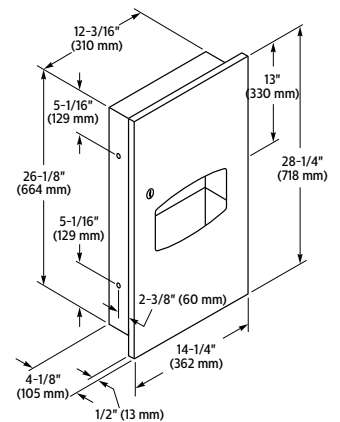
2297

Constructed of architectural satin finish stainless steel. Dispenses 475 multi-fold or 350 C-fold towels. Waste receptacle has 1.7 gal (6.4 L), removable, molded-plastic insert.

-10 Semi-Recessed 1.625" (41 mm) in wall, projects 2.5" (64 mm) from wall

-11 Surface-Mounted projects 4.125" (105 mm) from wall

Rough wall opening 12.6875" W x 26.625" H x 4" D (322 x 676 x 102 mm)





234



Constructed of architectural satin finish stainless steel. Dispenses 800 multi-fold or 600 C-fold towels. 12 gal (45.4 L), stainless steel waste receptacle is secured with tumbler lock.

Rough wall opening 15.75" W x 54.5" H x 4" D (400 x 1384 x 102 mm)

234-35



Hinged Cover

234-36



Large capacity 18 gal (68 L) waste receptacle.

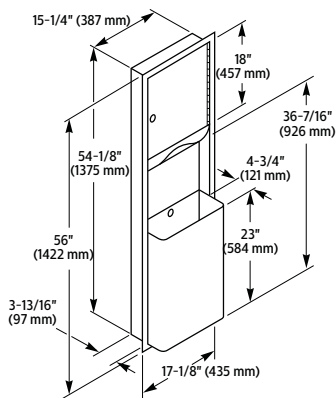
234-65



Push-Flap Door Unit

-10 Semi-Recessed 2" (51 mm) in wall, projects 6.75" (171 mm) from wall

-11 Surface-Mounted projects 8.75" (222 mm) from wall.



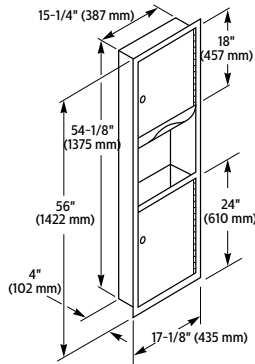
235

Constructed of architectural satin finish stainless steel. Dispenses 800 multi-fold or 500 C-fold towels. Waste receptacle has 4.9 gal (18.5 L), removable, leak-proof, molded-plastic insert.

-10 Semi-Recessed 2" (51 mm) in wall, projects 2" (51 mm) from wall.

-11 Surface-Mounted projects 4" (102 mm) from wall.

Rough wall opening 15.75" W x 54.625" H x 4" D (400 x 1384 x 102 mm)



236

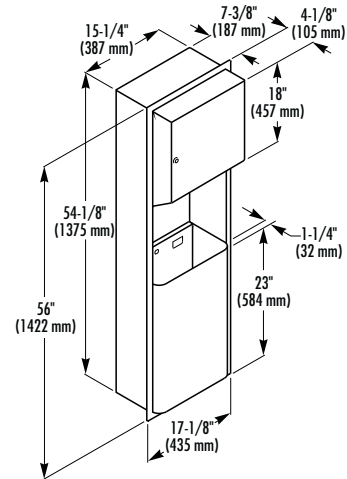


Constructed of architectural satin finish stainless steel. Dispenses one standard center-pull towel roll up to 9" (229 mm) wide x 9" (229 mm) diameter. 12 gal (45.4 L), stainless steel waste receptacle.

-10 Semi-Recessed 3.625" (92 mm) in wall, projects 7.875" (200 mm) from wall

-11 Surface-Mounted projects 11.5" (292 mm) from wall.

Rough wall opening 15.75" W x 54.5" H x 7.5" D (400 x 1384 x 191 mm)





237

Constructed of architectural satin finish stainless steel. Dispenses 1,100 single-fold, 800 multi-fold or 600 C-fold towels. 12 gal (45.4 L), stainless steel waste receptacle.

-10 Semi-Recessed 3.5" (89 mm) in wall, projects 4" (102 mm) from wall

-11 Surface-Mounted Projects 7.5" (191 mm) from wall

Rough wall opening 15.75" W x 54.5" H x 7.5" D (400 x 1384 x 191 mm)



238

Constructed of architectural satin finish stainless steel. Dispenses 1,100 single-fold, 800 multi-fold or 600 C-fold towels. 8.2 gal (31 L) waste receptacle, removable, leak-proof, molded-plastic insert.

-10 Semi-Recessed 3.5" (89 mm) in wall, projects 4" (102 mm) from wall

-11 Surface-Mounted projects 7.5" (191 mm) from wall

Rough wall opening 15.75" W x 54.75" H x 7.5" D (400 x 1391 x 191 mm)



270

Convenient, space-saving 3-in-1 towel dispenser, hand dryer and waste receptacle. Constructed of architectural satin finish stainless steel. Recessed towel dispenser holds 710 single-fold, 500 multi-fold or 370 C-fold paper towels. Waste receptacle has 4.37 gal (16.5 L) capacity. Hand dryer has sensor activation with universal voltage.

-10 Semi-Recessed 3.5" (89 mm) in wall, projects 2.75" (70 mm) from wall

-11 Surface-Mounted projects 6.25" (159 mm) from wall

-49 For Export CE certified

Rough wall opening 13" W x 54.25" H x 5.5" D (330 x 1378 x 140 mm)

Unit measures 14.875" W x 56" H x 6.25" D (378 x 1422 x 159 mm)

237-35

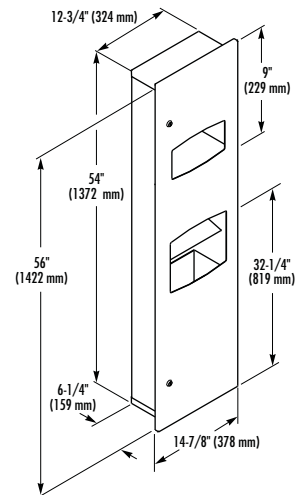
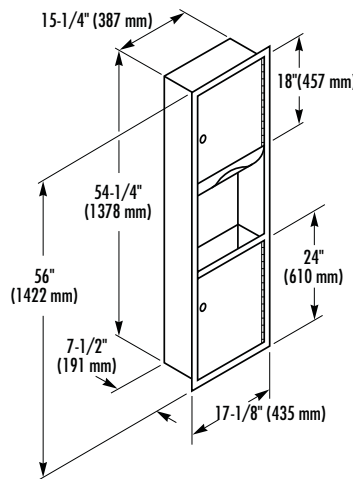
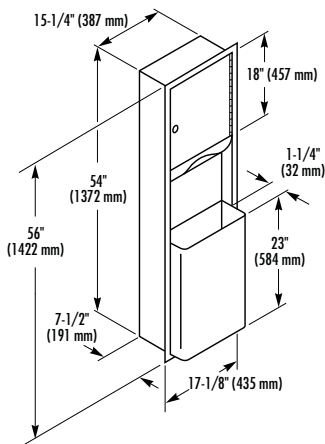
Hinged Cover

237-36

Large capacity 18 gal (68 L) waste receptacle.

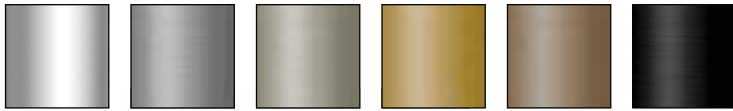
237-65

Push-Flap Door Unit



VERGE™ SOAP INDIVIDUAL TOP-FILL DISPENSERS

- Integrates seamlessly with Bradley lavatories or any handwashing fixture
- Individual top-fill soap dispenser with 70.5 oz (2.0 L) tank
- Chrome-plated cast brass construction with environmentally friendly PVD finishes
- Utilizes universal bulk soap in liquid or foam soap options
- Hidden sensors, nozzles, and anti-rotational gasket prevent vandalism
- Smart Sense System: translucent ring at base gives a glowing indication of low battery, low soap and overflow conditions
- Touch-free infrared sensor-operated
- Available with multi-feed soap system that supports up to 6 soap dispensers
- Available in 6 finishes. Shown left to right below: *polished chrome, brushed stainless, brushed nickel, brushed brass, brushed bronze, brushed black stainless*



6-3100 CRESTT SERIES



Refined, high arc design pairs with Verge faucet model S53-3100.

Overall dimensions 2" H x 5.5" W x 5.5" D (51 x 140 x 140 mm)



6-3300 METRO SERIES



Universal cylindrical design pairs with faucet model S53-3300.

Overall dimensions 1.75" H x 4" W x 5.5" D (44 x 102 x 140 mm)



6-3500 LINEA SERIES

Sleek lines and curved-edged design pairs with Verge faucet model S53-3500

Overall dimensions 2.25" W x 4" H x 6" D (57 x 102 x 152 mm)



6-3700 ZEN SERIES



Sleek linear design pairs with faucet model S53-3700

Overall dimensions 1.75" W x 3.25" H x 6.25" D (45 x 83 x 159 mm)

VERGE TOP-FILL MULTI-FEED SOAP SYSTEM

In high and burst traffic situations with multiple handwashing stations, a top fill multi-feed soap system is available that supplies up to six soap dispensers. Bulk soap systems can save time and money with high capacity soap containers that don't have to be filled as often as individual soap containers. All new Verge soap styles are available with the automatic multi-feed option.

- Large 1.3 gallon (5.0 L) tank accepts foam or liquid universal soap
- Smart sense system with LED light indicators to display low soap and low power
- Audible and visual indicators prevent overfilling
- Brass cast fill port available in same 6 finishes as new Verge soap and faucet styles
- Works with foam or liquid soap based on the soap dispenser
- Vandal-resistant construction
- Assembly works with 6-3100 (Crestt), 6-3300 (Metro), 6-3500 (Linea), and 6-3700 (Zen) series soap dispensers



6-SOAP-MFT



Verge multi-feed system saves up to 85% on soap costs compared to individual cartridges.

Verge Multi-Feed Soap Tank

Overall tank dimensions 5.75" H x 15" W x 7" D (146 x 381 x 177 mm)



6315-KT0000



(Soap Dispenser Starter Kit: 6315, 1 bottle of soap, 4 "D" size batteries.) Sensor-operated soap dispenser with 5.5" (140 mm) spout length. ADA compliant. Reliable Infrared Metering Activation. LED light indicators for low battery and low soap refill. Spout fabricated of chrome-plated plastic. Requires 1" (25 mm) diameter hole in lavatory or countertop 1.5" (38 mm) from edge of sink.

6315

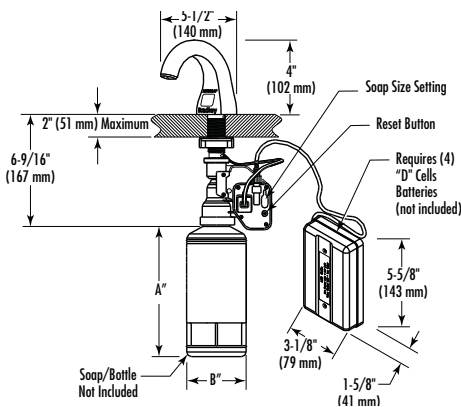


Soap Dispenser Only

AC ADAPTOR



P19-231F Single soap dispenser adaptor
 P19-231G Adaptor for up to 4 dispensers (need P19-231H for each dispenser)
 P19-231H Wire assembly (to be used with P19-231G which requires 1 of these for each dispenser to be hooked up); up to 4 per P19-231G adaptor
 P19-232A 2,000-shot non-refillable bottle
 P19-232B 1,000-shot non-refillable bottle



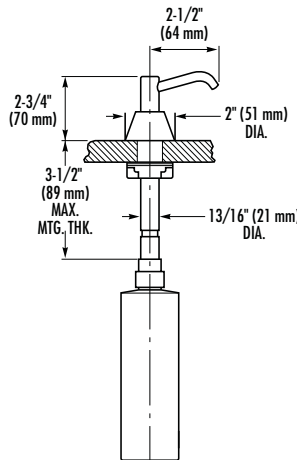
6322

Liquid soap dispenser with 2.5" (64 mm) spout length. Polyethylene container holds 16 oz (473 ml) liquid soap. Stainless steel plunger and spout. Special key provided. Requires 1" (25 mm) diameter mounting hole. Shank length 4.75" (121 mm) – can be shortened in field. Requires less than 5 lb (2.3 Kg) of force to operate. Spout is fixed.

6322-68



Unit with 32 oz (946 ml) polyethylene soap container



6324

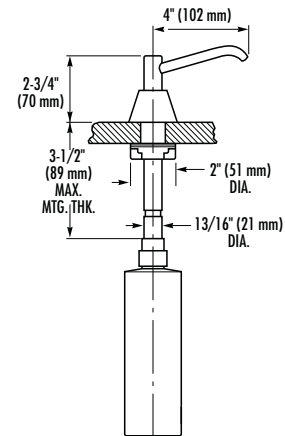


Liquid soap dispenser with 4" (102 mm) spout length and 4.75" (121 mm) shank. Polyethylene container holds 16 oz (473 mm) liquid soap. Requires less than 5 lb (2.3 Kg) of force to operate. Spout is fixed.

6324-68



Unit with 32 oz (946 ml) polyethylene soap container





6326

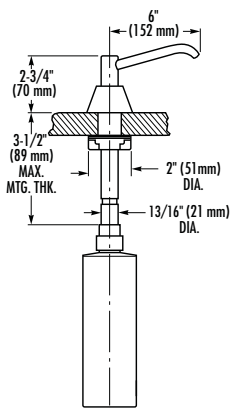


Liquid soap dispenser with 6" (152 mm) spout length. Polyethylene container holds 16 oz (473 ml) liquid soap. Requires less than 5 lb (2.3 Kg) of force to operate. Spout is fixed.

6326-68

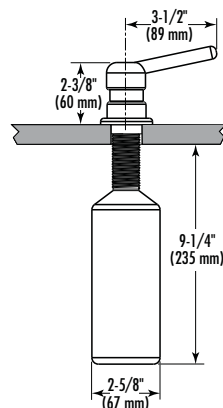


Unit with 32 oz (946 ml) polyethylene soap container



6334

Liquid soap dispenser with 3.5" (89 mm) spout length. Polyethylene container holds 16 oz (473 ml) liquid soap. Chrome plated brass plunger and spout. Special key provided. Required 1.25" (32 mm) diameter hole in lavatory or countertop. ADA compliant. Requires less than 5 lb (2.3 Kg) of force to operate.



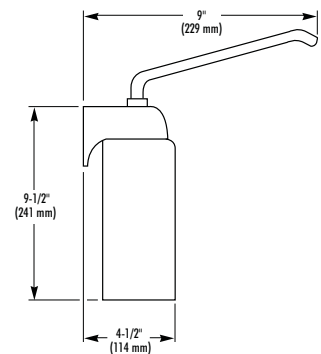
6843



Foot-operated, medical soap dispenser. Housing of ABS plastic with stainless steel spout. Holds 32 oz (946 ml) and unscrews for filling. Foot pump of molded rubber with anti-slip base and 8' (2.4 M) vinyl tubing dispenses surgical liquid soaps, detergents and aseptic solutions with depression of pedal.

Unit measures 11.5" H x 4.5" D (292 x 114 mm)

Spout projects 9" (229 mm) from wall



Bradley Soap Dispensers are constructed of stainless steel with exposed surfaces in architectural satin finish. Units feature one-piece, stainless steel flange of welded construction with seamless corners, burr-free edges and 0.25" (6 mm) return to conceal minor wall irregularities. Tumbler locks keyed alike to companion Bradley units.



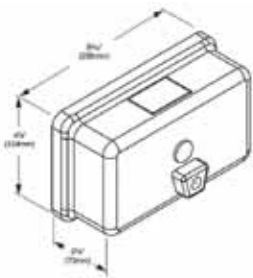
6543



Surface-mounted, vertical, liquid, tank-type soap dispenser of stainless steel with black ABS plastic valve. Holds 40 oz (1183 ml) liquid soap. Push-in type valve. Surface mounting. ADA compliant. Requires less than 5 lb (2.3 Kg) of force to operate. Ideal for higher end hospitality and other commercial restrooms.

Unit measures 4.8125" W x 8.1875" H x 2.875" D (122 x 208 x 73 mm)

Valve projects 2.5" (64 mm) from wall



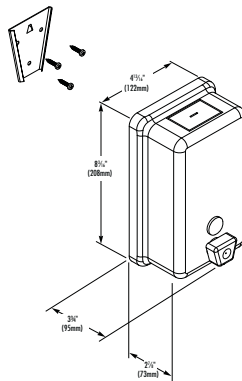
6563



Surface-mounted, vertical, liquid, tank-type soap dispenser of stainless steel with black ABS plastic valve. Holds 40 oz (1183 ml) liquid soap. Push-in type valve. Surface mounting. ADA compliant. Requires less than 5 lb (2.3 Kg) of force to operate. Ideal for higher end hospitality and other commercial restrooms.

Unit measures 4.8125" W x 8.1875" H x 2.875" D (122 x 208 x 73 mm)

Valve projects 2.5" (64 mm) from wall



6A00-11



Designed with unique dual-curve geometry. Constructed of architectural satin finish stainless steel. Surface-mounted, automatic, liquid soap dispenser with 27 oz (800 ml) capacity. Red light indicates low battery.

Unit measures 4.625" W x 10.5625" H x 4.1875" D (117 x 268 x 106 mm)

NEW 6A01-11

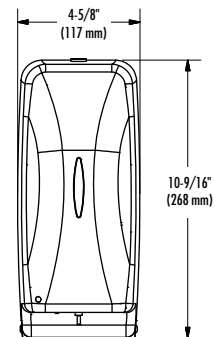


Foam soap dispenser with 27 oz (800 mL) capacity

NEW 6A02-11



Hand sanitizer with 27 oz (800 mL) capacity





Foam Soap delivers two times more hand washes than liquid soap, equalling half the amount of refills, which results in about 30–50% annual savings.



643

Recessed, horizontal, liquid soap dispenser. Stainless steel cabinet with plastic soap vessel. Buna-N check valves to prevent leaking. Slides open for filling. Holds 32 oz (946 ml) liquid soap. Sight gauge on dispenser. Requires less than 5 lb (2.3 Kg) of force to operate.

Rough wall opening 8.5" W x 4.5" H x 4" D
(216 x 114 x 102 mm)



6437

Recessed, liquid soap dispenser of satin-finish stainless steel. Plastic soap vessel holds 50 oz (1475ml) of liquid soap. Sight gauge on dispenser. Requires less than 5 lb (2.3 Kg) of force to operate.

Rough wall opening 8.5" W x 4.5" H x 4" D
(216 x 114 x 102 mm)



6531

Surface-mounted, stainless steel with architectural satin finish. Locked cover removes for filling. Holds 44 oz (1301 ml) liquid soap. Push-intype valve delivers measured amount of liquid soap.

Rough wall opening 5.125" W x 7.5" H x 3" D
(130 x 191 x 76 mm)



644

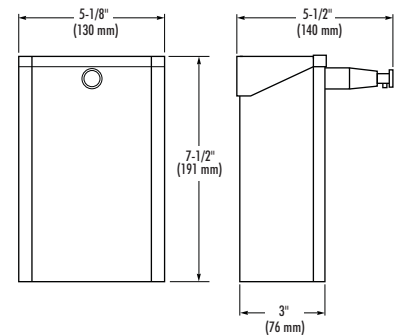
Vertically mounted unit with stainless steel soap vessel

Rough wall opening 4.5" W x 8.5" H x 4" D
(114 x 216 x 102 mm)



NEW 6437-37

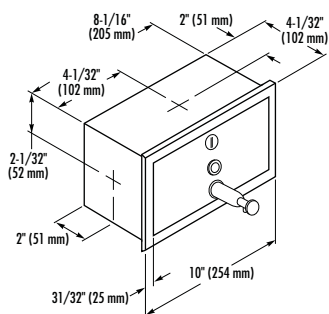
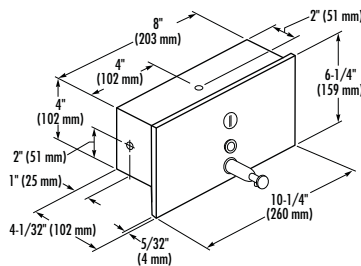
Foam soap dispenser holds 50 oz (1475ml)



646

Vertically mounted unit with plastic soap vessel

Rough wall opening 4.5" W x 8.5" H x 4" D
(114 x 216 x 102 mm)





6542



Surface-mounted, horizontal, liquid, tank-type soap dispenser of satin finish stainless steel. Holds 40 oz (1180 ml) liquid soap. Push-in-type valve. Concealed mounting. Requires less than 5 lb (2.3 Kg) of force to operate.

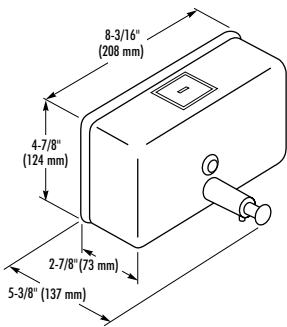
Unit measures 8.1875" W x 4.875" H x 2.875" D

Valve projects 2.5" (64 mm) from wall
(208 x 124 x 73 mm)

NEW 6542-73



Foam soap dispenser holds 40 oz (1180ml)



6562



Surface-mounted, vertical, liquid, tank-type soap dispenser of satin finish stainless steel. Holds 40 oz (1180 ml) liquid soap. Push-in-type valve. Concealed mounting. Requires less than 5 lb (2.3 Kg) of force to operate.

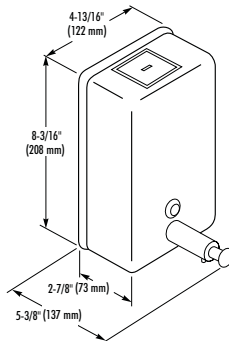
Unit measures 4.8125" W x 8.1875" H x 2.875" D
(122 x 208 x 73 mm)

Valve projects 2.5" (64 mm) from wall

NEW 6562-73



Foam soap dispenser holds 40 oz (1180ml)



648

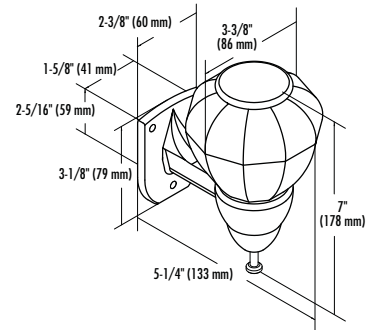


Liquid soap dispenser features chrome-plated bracket, translucent polyethylene globe and push-up-type valve with corrosion-resistant components and vacuum-flow control. Holds 16 oz (473 ml) liquid soap. Swivels for filling.

Unit measures 3.375" W x 7" H x 5.25" D
(86 x 178 x 133 mm)

6481

Unit with no swivel (shown)





650

Liquid soap dispenser with push-up-type valve. Translucent polyethylene globe, chrome-plated ABS bracket. Valve is black ABS with stainless steel spring. Holds 32 oz (946 ml) diagram shown

Unit measures 4" W x 9.5" H x 4.125" D
(102 x 241 x 105 mm)



655

Liquid, tank-type soap dispenser with vertical valve. Fabricated of stainless steel with exposed surfaces in architectural satin finish. Holds 40 oz (1183 ml) liquid soap. Requires less than 5 lb (2.3 Kg) of force to operate.

Unit measures 4.8125" W x 8.1875" H x 2.875" D
(122 x 208 x 73 mm)



BX

657

Liquid soap dispenser. Chrome-plated brass with plastic container and chrome-plated plastic assembly. Holds 12 oz (355 ml) liquid soap. Concealed mounting.

Unit measures 3.1875" W x 6" H x 5.875" D
(81 x 152 x 149 mm)

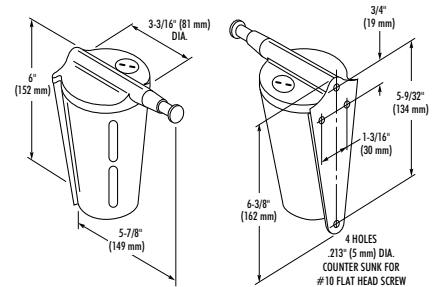
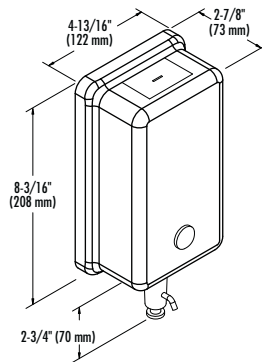
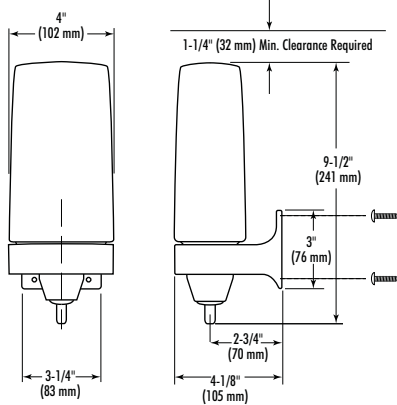
Valve projects 2.6875" (68 mm) from wall

6501

BX

Holds 24 oz (710 ml)

Unit measures 4" W x 7.875" H x 4.125" D
(102 x 200 x 105 mm)

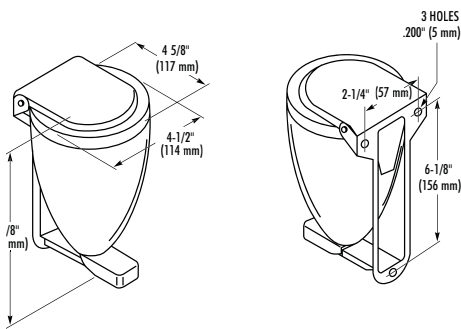




658-30

Powdered soap dispenser of polished and satin finish stainless steel. Stainless push knob, springs and discharge mechanism. Holds 32 oz (946 ml) powdered soap. Locked top covers filler hole.

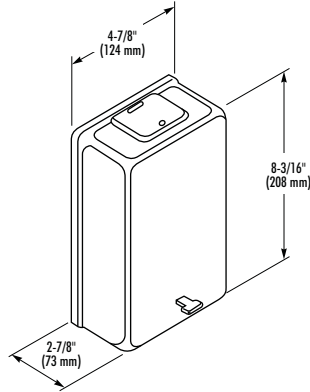
Unit measures 4.5" W x 7.125" H x 4.625" D (114 x 181 x 117 mm)



6583

Powdered soap dispenser of satin finished stainless steel with chrome-plated brass valve. Holds 32 oz (946 ml) powdered soap. Locked top covers filler hole. Concealed mounting.

Unit measures 4.875" W x 8.1875" H x 2.875" D (124 x 208 x 73 mm)



661



Shelf-type, liquid soap dispenser. Stainless steel with architectural satin finish. Chrome-plated brass and ABS valve. 80 oz (2366 ml) liquid soap reservoir. Vandal-resistant sight gauge. Hinged shelf with concealed latch raises for filling. Requires less than 5 lb (2.3 Kg) of force to operate.

Unit measures 17.5" W x 3.25" H x 5.25" D (445 x 83 x 133 mm)

NEW 661-73



Foam soap dispenser holds 80 oz (2366ml)

662

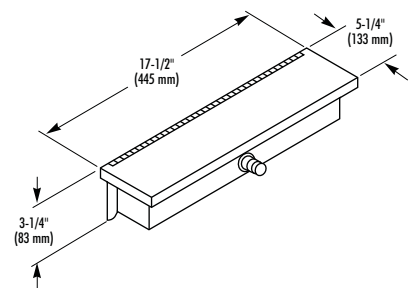


Unit with two liquid soap valves to mount between two lavatories.

NEW 662-73



Unit with two liquid soap valves to mount between two lavatories. Foam soap dispenser holds 80 oz (2366ml)



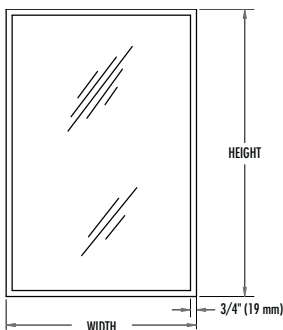
Bradley Mirrors are made of first quality 1/4" (6 mm) float glass for a clean, contemporary look and an exclusive backing for long-lasting use. Guaranteed against silver spoilage for 15 years. Frames fabricated of stainless steel with theft-resistant mounting brackets. Angle Frame and Channel Frame Mirrors feature onepiece, roll-formed frames for strength. Frames guaranteed 15 years against corrosion. Choose Angle Frame style for welded, polished corners and Channel Frame style for neatly mitered corners.



780

Angle framed mirror. 0.75" x 0.75" (19 mm x 19 mm) satin finish, stainless steel angle frame with welded and polished corners. 0.25" (6 mm) thick glass. Wall hanger of 18-gauge steel provides theft-resistant mounting. Galvanized steel back plate with shock-absorbing, waterproof filler. Standard or barrier-free applications

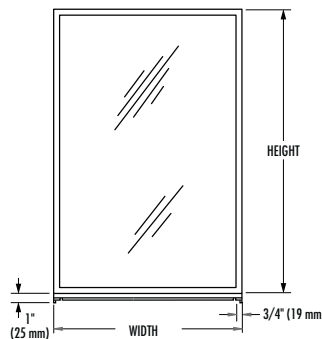
See technical data for BradEX sizes



7805

Angle framed mirror with shelf. 0.75" x 0.75" (19 mm x 19 mm) satin finish stainless steel angle frame with welded and polished corners. 0.25" (6 mm) thick glass. 5.5" (140 mm) W satin finish stainless steel shelf welded to frame. Shelf has flanged front and sides. Wall hanger of 18-gauge steel provides vandal- and theft-resistant mounting. Galvanized steel back plate with shock-absorbing, waterproof filler. Standard or barrier-free applications

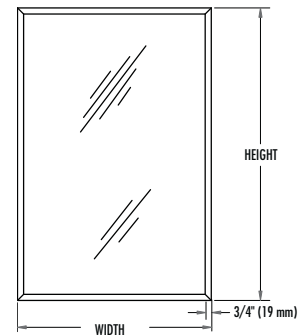
See technical data for BradEX sizes



781

Channel framed mirror. 0.75" x 0.75" x 0.4375" (19 mm x 19 mm x 11 mm) channel frame of stainless steel with bright annealed finish. Neatly mitered corners. 0.25" (6 mm) thick glass. Wall hanger of 18-gauge steel provides vandal- and theft-resistant mounting. Galvanized steel back plate with shock-absorbing, waterproof filler. Standard or barrier-free applications

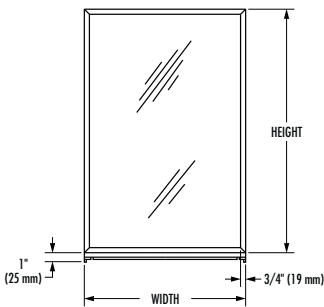
See technical data for BradEX sizes





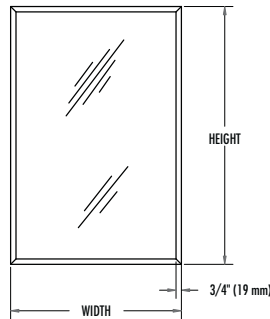
7815

Channel-framed mirror with shelf. 0.75" x 0.75" x .4375" (19 mm x 19 mm x 11 mm) frame of stainless steel with bright annealed finish. Neatly mitered corners. 0.25" (6 mm) thick glass. 5.5" (140 mm) W satin finish stainless steel shelf welded to frame. Wall hanger of 18-gauge steel provides vandal- and theft-resistant mounting. Galvanized steel back plate with shock-absorbing, waterproof filler. Standard or barrier-free applications
See technical data for BradEX sizes



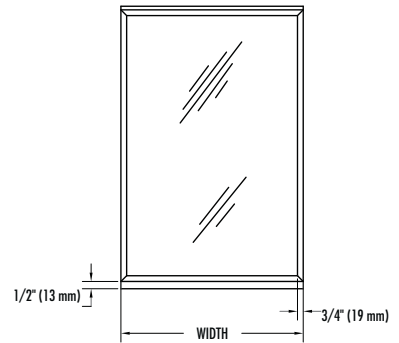
740

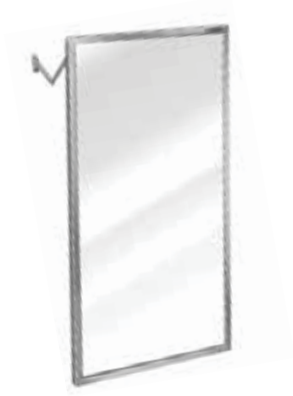
Fixed-angle, tilt frame of satin finish stainless steel. 0.75" x 0.75" (19 mm x 19 mm) frame with welded and polished corners. 0.25" (6 mm) thick glass. Theft-resistant mounting bracket. Standard or barrier-free applications
See technical data for BradEX sizes



7405

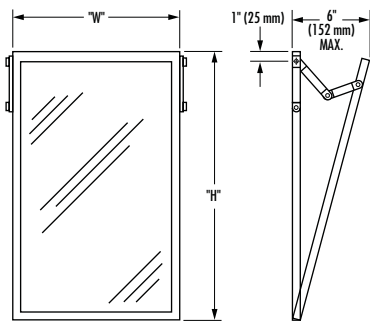
Fixed-angle, tilt mirror with integral welded stainless steel shelf. 0.75" x 0.75" (19 mm x 19 mm) frame with welded and polished corners. 0.25" (6 mm) thick glass. Shelf is 5.5" (140 mm) W, welded to frame, flanged front and sides with welded, polished corners. Theft-resistant mounting bracket. Standard or barrier-free applications





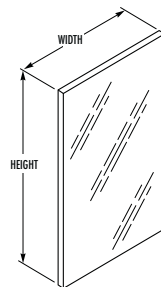
782

Adjustable tilt mirror. 0.75" x 0.75" (19 mm x 19 mm) frame is bottom hinged and has welded, polished corners. 0.25" (6 mm) thick glass. Two friction elbow hinges on top allow unit to tilt up to maximum 6" (152 mm) from wall. Standard projection is 4" (102 mm). Standard or barrier-free applications



 747

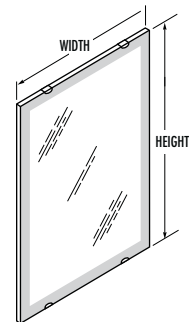
Frameless 0.25" (6 mm) thick glass mirror. Metal clip fasteners. Only available in standard glass. Standard or barrier-free applications
See technical data for BradEX sizes



 747F

Frosted, frameless mirror with first quality 0.25" (6 mm) thick glass mirror. Metal clip fasteners. Only available in standard glass.

 -S Solid Acid-Etched Border





748



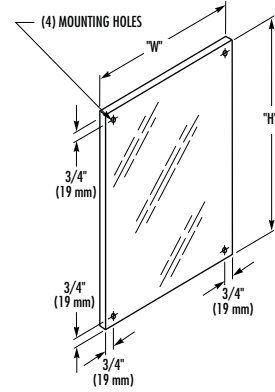
Unbreakable stainless steel, frameless mirror of stainless steel polished to No. 8 architectural bright finish. Mirror has 0.25" (6 mm) return to conceal 0.25" (6 mm) tempered Masonite backing. Fastens with tamper-resistant screws. Standard or barrier-free applications

7481



In bright annealed stainless steel. Standard or barrier-free applications

See technical data for BradEX sizes



OPTIONAL MIRROR FEATURES

Options available on select Bradley models.

FEATURE	ADD SUFFIX
1/4" (6mm) Tempered glass mirror	-2
Laminated glass mirror	-3
300 Series stainless steel polished to a No. 8 architectural-grade finish in lieu of glass	-4
400 Series bright annealed stainless steel in lieu of glass	-5
Plexiglass mirror	-6

Note: Tempered, laminated, plexiglass and stainless steel provide extra security from broken glass but may differ in color and reflectivity from standard mirrors.



755



Surface-mounted shelves fabricated of stainless steel with exposed surfaces in architectural satin finish.

-12 12" (305 mm) Length, -18 18" (457 mm) Length

5" (127 mm) Width

756

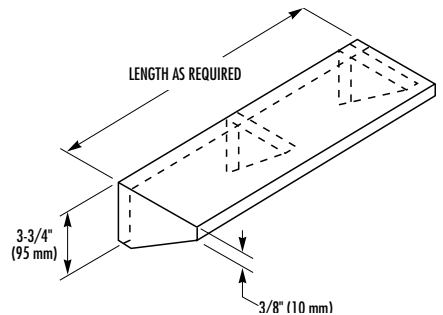
6" (152 mm) Width

758



-24 24" (610 mm) Length

8" (203 mm) Width

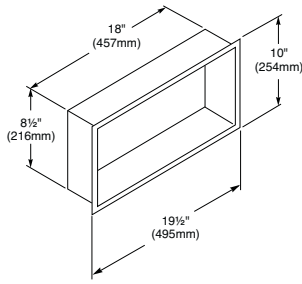




760

Recessed shelf shall be fabricated of 22 gauge stainless steel with exposed surfaces in satin finish.

Unit measures 19.5" W x 10" H x 4" D
(495 x 254 x 102 mm)



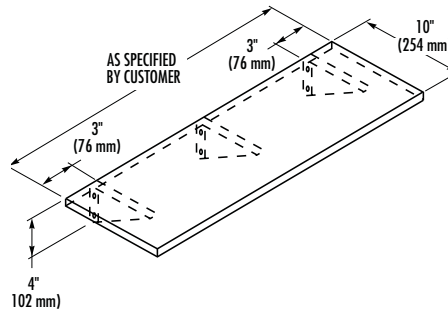
7510

Surface-mounted shelves fabricated of stainless steel with exposed surfaces in architectural satin finish.

10" (254 mm) Width

7512

12" (305 mm) Width



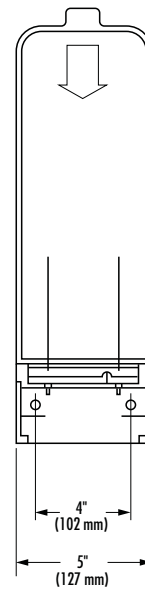
790



Surface-mounted, fold-down utility shelf. Fabricated of **heavy-duty, chrome-plated zinc die cast** with textured shelf area. Rear hinged shelf folds down for use. Holds up to 150 lb (68 Kg). Automatically returns to vertical position.

-SS Stainless Steel

Unit measures 5" W x 14.875" D (127 x 378 mm)



Bradley Toilet Tissue Holders and Seat Cover Dispensers provide a complete selection of surface-mounted, recessed and partition-mounted units. Toilet Tissue Holders are available in single and multi-roll models, some with integral shelves.

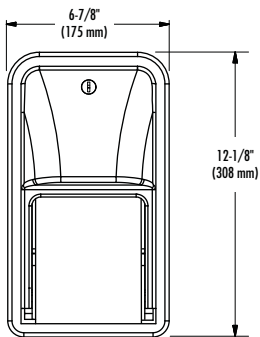


5A00



Designed with unique dual-curve geometry. Constructed of architectural satin finish stainless steel. Recess-mounted, non-controlled delivery toilet tissue holder. Cabinet holds two rolls up to 4.5" (114 mm) W x 5.25" (133 mm) diameter standard core toilet tissue. Molded polyethylene spindles.

Rough wall opening 6" W x 11.125" H x 4" D
(152 x 283 x 102 mm)

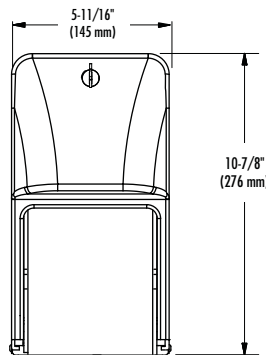


5A10



Designed with unique dual-curve geometry. Constructed of architectural satin finish stainless steel. Surface-mounted, non-controlled delivery toilet tissue holder. Cabinet holds two rolls up to 4.5" (114 mm) W x 5.25" (133 mm) diameter standard core toilet tissue. Molded polyethylene spindles.

Unit measures 5.5625" W x 10.875" H x 6.1875" D
(141 x 276 x 157 mm)

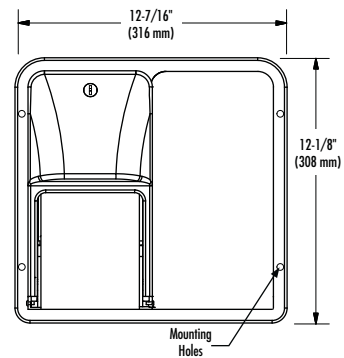


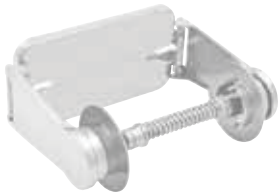
5A20



Designed with unique dual-curve geometry. Constructed of architectural satin finish stainless steel. Partition-mounted, non-controlled delivery toilet tissue holder. Double-sided unit includes single-roll dispenser with roll-in-reserve serving each compartment. Each cabinet holds two rolls up to 4.5" (114 mm) W x 5.25" (133 mm) diameter standard core toilet tissue. Molded polyethylene spindles.

Rough wall opening 11.125" H x 11.5" W
(283 x 292 mm)

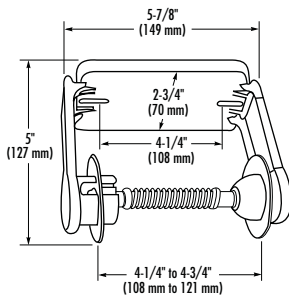




5061

Controlled delivery with vandal-resistant locking device and constant roll tension. Exclusive adjusting mechanism accommodates rolls from 4.25" (108 mm) W to 4.75" (121 mm) W. Holds one standard core roll through 6" (152 mm) in diameter. Surface mounted.

Unit measures 5.875" W x 2.75" H x 5" D (149 x 70 x 127 mm)



505

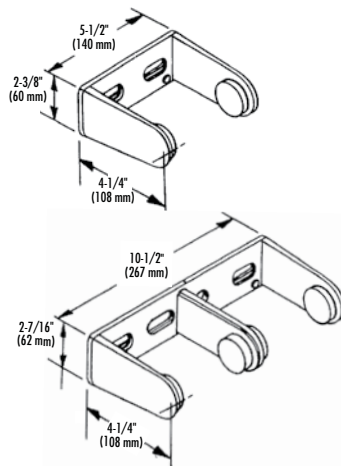
Controlled delivery. Chrome-plated, die-cast zinc. Unit features hinged arm with spring catch for filling and tension spring on fixed arm. Holds one (two) standard core roll(s) through 5" (127 mm) in diameter and 4.5" (114 mm) wide. Surface mounted. Single Roll

Unit measures 5.5" W x 2.375" H x 4.25" D (140 x 60 x 108 mm)

522

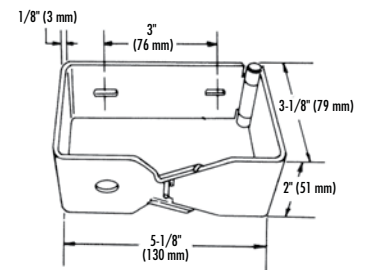
Double Roll.

Unit measures 10.5" W x 2.4375" H x 4.25" D (267 x 62 x 108 mm)



5053

Controlled delivery. Epoxy-coated aluminum. One-piece construction with hinged arm and snap lock, which is concealed by tissue roll. No removable parts. Surface mounted. Single Roll
Unit measures 5.125" W x 2" H x 3.125" D (130 x 51 x 79 mm)





5054



Controlled delivery. Heavy-duty, chrome-plated steel. Vandalresistant locking mechanism. Hinged arm for filling. Tension spring prevents free spinning of roll. Holds one (two) standard core roll(s) through 6" (152 mm) in diameter. Surface mounted. Single Roll

Unit measures 6" W x 2.75" H x 4.5" D
(152 x 70 x 114 mm)

5224



Double Roll.

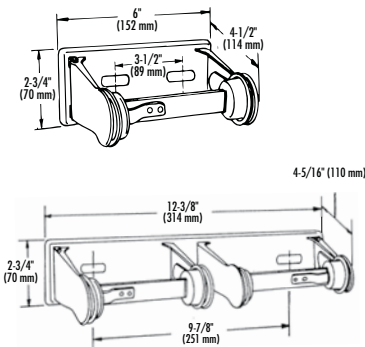
Unit measures 12.375" W x 2.75" H x 4.3125" D
(314 x 70 x 110 mm)

5061



Single Roll.

Chrome-plated Zinc



5071



Controlled delivery. Die-cast aluminum with gray polystyrene spindle. Rotates 0.5 revolution for each dispensing operation and returns to original position. Spring allows spindle to be released for filling. Holds one (two) standard core roll(s) through 5.5" (140 mm) in diameter. Surface mounted. Single Roll

-50 Non-controlled Delivery

Unit measures 6.5" W x 1.75" H x 4" D
(165 x 44 x 102 mm)

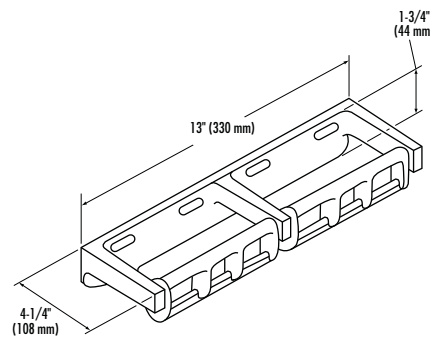
5241



Double Roll

-50 Non-controlled Delivery

Unit measures 13" W x 1.75" H x 4.25" D
(330 x 44 x 108 mm)



THEFT-RESISTANT SPINDLE (-52)

Available as an option for Bradley surface-mounted and recessed toilet tissue holders.

Option -52 can be ordered as a replacement part #S01-459

*Theft-resistant spindle available (-52)

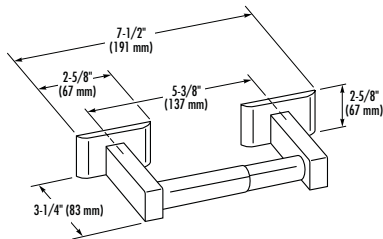


508*



Non-controlled delivery. Chrome-plated, cast brass with chrome-plated plastic spindle. Surface mounted.

Unit measures 7.5" W x 2.625" H x 3.25" D
(191 x 67 x 83 mm)



508-32*



Non-controlled delivery. Highly polished, chrome-finish Zamac brackets with plated-steel mounting bracket and chrome-plated plastic spindle. Surface mounted. Single Roll.

Plastic roller (-51) for 508-32 only

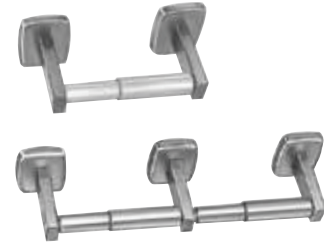
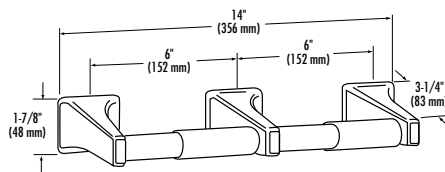
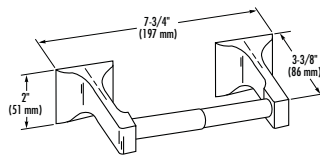
Unit measures 7.75" W x 2" H x 3.375" D
(197 x 51 x 86 mm)

523*



Double Roll.

Unit measures 14" W x 1.875" H x 3.375" D
(356 x 48 x 86 mm)



5084*



Non-controlled delivery. Constructed of satin-finish stainless steel. Unit has individually mounted arms and free-turning roller that telescopes for filling. Holds standard core rolls through 5.5" (140 mm) in diameter. Surface mounted. Single Roll

Unit measures 7.75" W x 2" H x 3.625" D
(197 x 51 x 92 mm)

5085*



Single roll, unit with Bright Polish Finish.

5234*



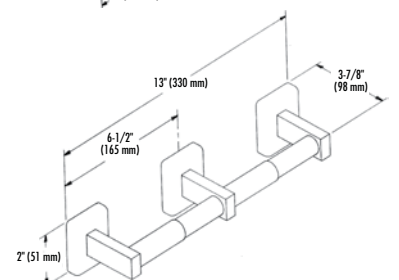
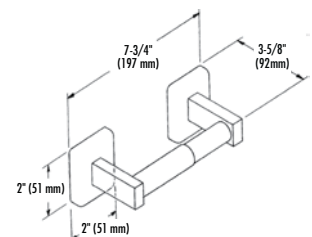
Double Roll

Unit measures 13" W x 2" H x 3.875" D
(330 x 51 x 98 mm)

5235*



Double roll, unit with Bright Polish Finish



*Theft-resistant spindle available (-52)



5106*



Surface-mounted, non-controlled delivery with hinged hood. Fabricated of bright polished stainless steel and chrome-plated plastic spindle. Free-turning rollers. Holds standard core rolls through 5.5" (140 mm) in diameter. Single Roll.

Unit measures 6.375" W x 6.375" H x 2" D (162 x 162 x 51 mm)

5107*



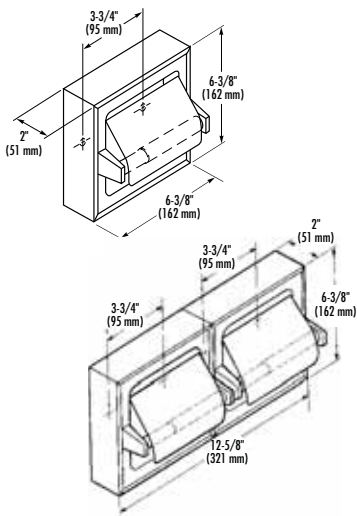
Satin finish stainless steel.

5126*



Double Roll.

Unit measures 12.625" W x 6.375" H x 2" D (321 x 162 x 51 mm)



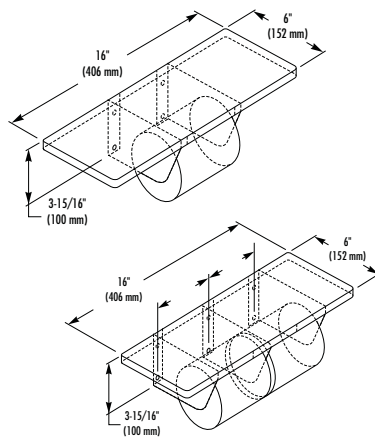
5262

Toilet tissue dispenser with shelf. Non-controlled delivery. Fabricated of satin-finish stainless steel. Spindle(s) of ABS plastic with concealed spring. Standard core 6" (152 mm) diameter toilet tissue roll(s). Surface mounted. Single Roll.

Unit measures 16" W x 3.9375" H x 6" D (406 x 100 x 152 mm)

5263

Double Roll.

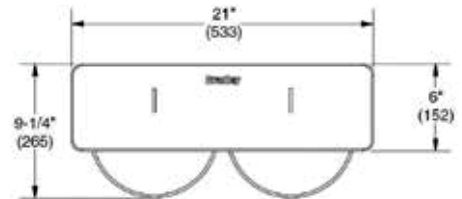


NEW 5426-11



Surface-mounted, dual-jumbo-roll, toilet tissue holder. 22 gauge stainless steel with exposed surfaces in architectural satin finish. Welded construction with burr-free edges. Furnished with refill-indicator viewing slots. Holds maximum two standard 9" (229 mm) rolls and width of 3.75" (95 mm).

Overall dimensions: 21" W x 6" H x 6.1875" D (534 x 153 x 157 mm)

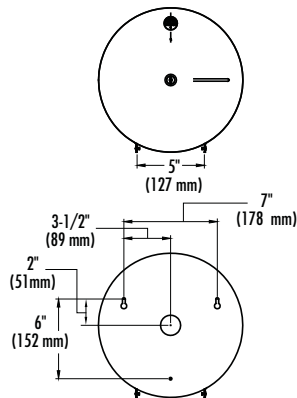


*Theft-resistant spindle available (-52)

**5424**

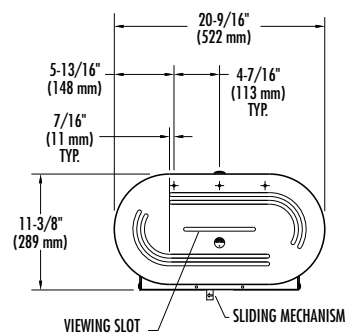
Surface-mounted, jumbo-roll, toilet tissue holder. Satin-finish stainless steel. Door swings down to replenish tissue roll and is secured with tumbler lock. Holds one roll (up to 10" (254 mm) diameter) of 1.5" (38 mm) or 2.125" (54 mm) diameter core toilet tissue minimum. Refill indicator slot reveals tissue level.

Unit measures 10.8125" W x 10.8125" H x 4.75" D
(275 x 275 x 121 mm)

**5425**

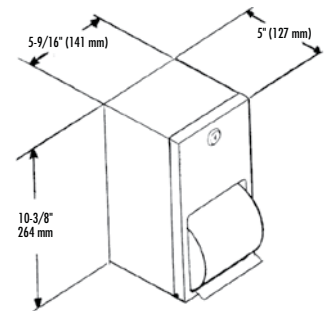
Surface-mounted, dual-jumbo-roll, toilet tissue holder. Satin-finish stainless steel. Bottom hinged front panel is secured with tumbler lock. Holds two standard 9" (229 mm) rolls. Core adapters accept 2.25" (57 mm) or 3" (76 mm) diameter core tissue minimum. Inside mechanism of durable ABS has sliding bottom access panel to allow dispensing from one roll at a time. Non-controlled delivery.

Unit measures 20.5625" W x 11.375" H x 6" D
(522 x 289 x 152 mm)

**5402**

Surface-mounted, dual-roll, toilet tissue holder. Satin-finish stainless steel. Vandal-resistant, polyethylene spindles. Bottom hinged front panel is secured with tumbler lock. Holds two standard rolls up to 4.75" (121 mm) in diameter, 4.5" (114 mm) W. Non-controlled delivery.

Unit measures 5.5625" W x 10.375" H x 5" D
(141 x 264 x 127 mm)



*Theft-resistant spindle available (-52)



5104*



Recess-mounted toilet tissue holder with non-controlled delivery. Recessed housing and projecting parts of satin finish stainless steel. Free-turning, chrome-plated plastic roller telescopes for filling. Holds one standard core roll up to 5" (127 mm) in diameter. Satin Finish (shown)

Rough wall opening 5.25" W x 5.25" H x 2" D (133 x 133 x 51 mm)



5103*

Recess-mounted toilet tissue holder with hinged hood and non-controlled delivery. Housing brackets and hood fabricated of bright polished stainless steel. Chrome-plated plastic spindle. Holds one (two) standard core roll(s) through 5.5" (140 mm) in diameter. Single Roll.

Rough wall opening 5" W x 4.875" H x 1.875" D (127 x 124 x 48 mm)



5105*



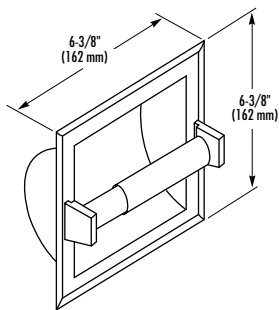
Recess-mounted toilet tissue holder with non-controlled delivery. Housing fabricated of bright polished stainless steel. Posts are fabricated of chrome-plated zinc. Spindle fabricated of chrome-plated plastic. Holds one standard core toilet tissue roll through 5" (127 mm) in diameter, plus one spare roll behind spindled roll.

Rough wall opening 5.25" W x 5.25" H x 4" D (133 x 133 x 102 mm)

5102*



Unit Housing and Projecting Parts of Bright Polished Stainless Steel*

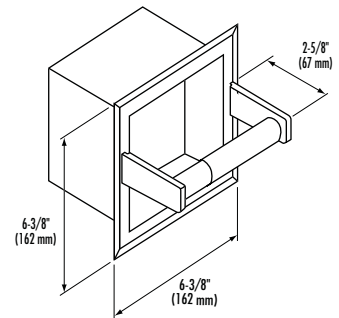
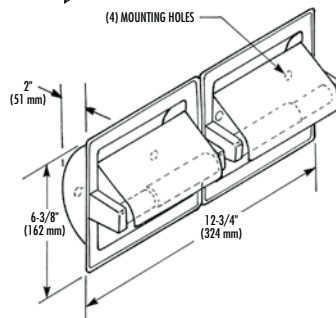
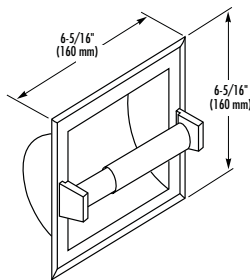


5123*



Double Roll.

Rough wall opening 11.75" W x 5.25" H x 2" D (298 x 133 x 51 mm)



*Theft-resistant spindle available (-52)



5124*



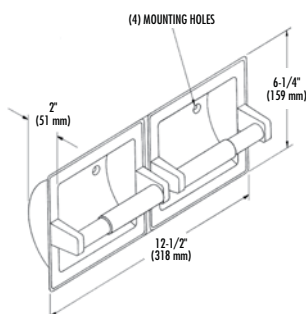
Recess-mounted, dual-roll, toilet tissue holder with non-controlled delivery. Satin-finish stainless steel. Chrome-plated, zinc die-cast projecting parts. Free-turning, chrome-plated plastic rollers. Holds two standard core rolls through 5" (127 mm) in diameter.

Rough wall opening 11.75" W x 5.25" H x 2" D (298 x 133 x 51 mm)

5125*



Unit with Bright Polish Finish

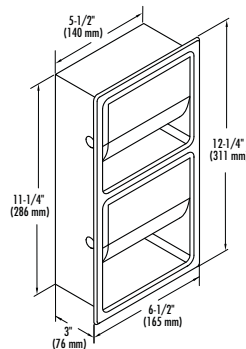


5127

Recess-mounted, dual roll, non-controlled delivery with hinged hood toilet tissue holder. Fabricated of bright polished stainless steel and chrome-plated plastic spindle. Free-turning rollers. Holds standard core through 5.5" (140 mm) diameter.

Unit measures 6.5" W x 12.25" H x 3" D (165 x 311 x 76 mm)

Rough wall opening 6" W x 11.75" H x 3.25" D (152 x 298 x 83 mm)

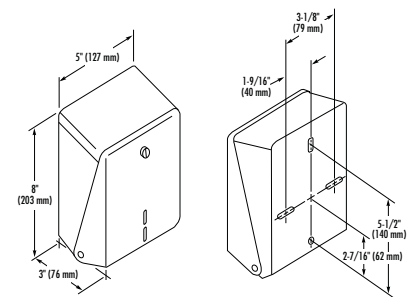


515



Dispenses sheet tissue. Satin-finish stainless steel. Front panel hinged at bottom. Vandal-resistant lock.

Unit measures 5" W x 8" H x 3" D (127 x 203 x 76 mm)



*Theft-resistant spindle available (-52)



5412



5422



Recess-mounted, dual-roll, toilet tissue holder. Satin-finish stainless steel. Vandal-resistant polyethylene spindles. Bottom hinged front panel is secured with tumbler lock. Holds two standard rolls up to 4.75" (121 mm) in diameter, 4.5" (114 mm) W. Non-controlled delivery.

With flange, unit measures
7.625" W x 12.375" H x 5.3125" D
(194 x 314 x 135 mm)

Without flange, unit measures
5.625" W x 10.375" H x 5.3125" D
(143 x 264 x 135 mm)

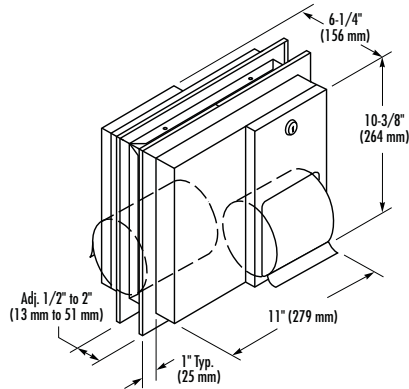
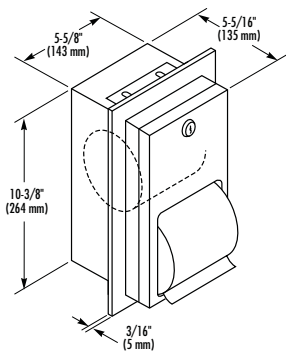
Rough wall opening
5.75" W x 10.5" H x 4" D (146 x 267 x 102 mm)

Partition-mounted, dual-roll, toilet tissue holder. Serves two adjoining compartments. Satin-finish stainless steel. Vandal-resistant polyethylene spindles. Bottom hinged front panel is secured with tumbler lock. Holds two standard rolls up to 4.75" (121 mm) in diameter, 4.5" (114 mm) W. Noncontrolled delivery.

With flange, unit measures
13" W x 12.375" H x 5.71875" D
(330 x 314 x 145 mm)

Without flange, unit measures
11" W x 10.375" H x 5.09375" D
(279 x 264 x 129 mm)

Partition opening 11.375" W x 10.625" H
(289 x 270 mm)



Bradley Seat Cover Dispenser/Combination units are fabricated of 18-gauge stainless steel and are secured with full-length piano hinges and tumbler locks for the ultimate blend of style and vandal resistance. When doors are locked, contents and interior areas are hidden and protected. Partition-mounted units serve two compartments at the same time.



NEW 5951



591

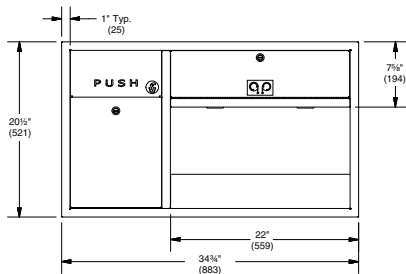
Recessed combination unit shall include dual jumbo coreless toilet tissue dispenser and napkin disposal, and be fabricated of stainless steel with seamless exposed surfaces in satin finish. Doors shall be 18 gauge, 304 stainless steel, with piano hinge and tumbler lock.

Overall dimensions: 34.75" W x 20.5" H x 6.25" D (883 x 521 x 159 mm)

NEW 5952

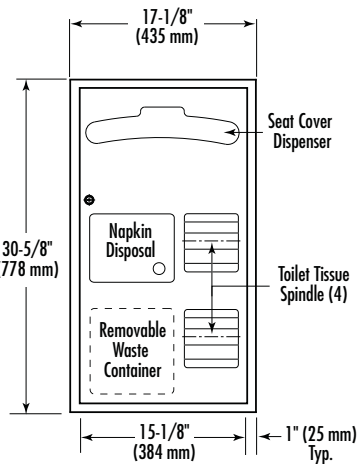


Right hand configuration



Partition-mounted combination unit serves two compartments. Dispenses 1,000 standard single or half-fold paper toilet seat covers. Holds four standard core rolls through 5.25" (133 mm) in diameter. Waste receptacle capacity 0.88 gal (3.3 L). Noncontrolled delivery.

Partition opening 15.5" W x 28.875" H (394 x 733 mm)



BX

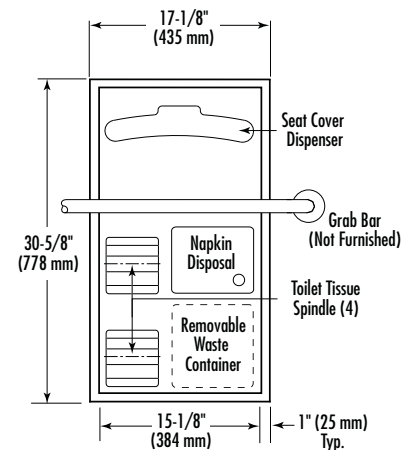
5911



Partition-mounted combination unit serves two compartments. Mounts with one side flush against partition allowing clearance for grab bar in barrier-free compartment. Waste receptacle capacity 0.88 gal (3.3 L). Holds four standard core rolls through 5.25" (133 mm) in diameter. Non-controlled delivery. Servicing of unit accomplished from non-barrier-free compartment.

-69 Reverse Door Option

Partition opening 15.5" W x 28.875" H (394 x 733 mm)





5912



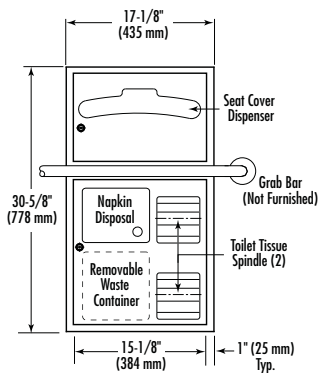
Recess-mounted combination unit. Dispenses 1,000 standard single or half-fold paper toilet seat covers. Holds two standard core rolls through 5.25" (133 mm) in diameter. Non-controlled delivery. Waste receptacle capacity 1 gal (3.8 L).

-10 Semi-Recessed Projects 1.25" (32 mm) from wall. Not for use with grab bar

-11 Surface-Mounted Projects 4.25" (108 mm) from wall. Not for use with grab bar

-69 Reverse Door Option

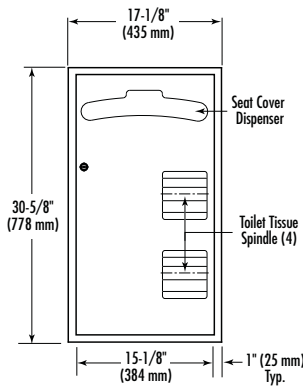
Rough wall opening 15.5" W x 28.875" H x 4" D (394 x 733 x 102 mm)



592

Partition-mounted combination unit serves two compartments. Dispenses 1,000 standard single or half-fold paper toilet seat covers. Holds four standard core rolls through 5.25" (133 mm) in diameter. Non-controlled delivery.

Partition opening 15.5" W x 28.875" H (394 x 733 mm)



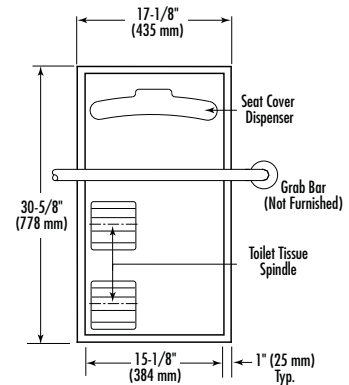
5921



Partition-mounted combination unit serves two compartments. Mounts with one side flush against partition allowing clearance for grab bar in barrier-free compartment. Holds four standard core rolls through 5.25" (133 mm) in diameter. Servicing of unit accomplished from non-grab-bar compartment. Noncontrolled delivery.

-69 Reverse Door Option

Partition opening 15.5" W x 28.875" H (394 x 733 mm)





5922

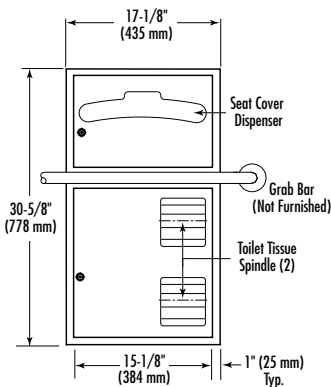
Recess mounted. Dispenses 1,000 standard single or half-fold paper toilet seat covers. Holds two standard core rolls through 5.25" (133 mm) in diameter. Non-controlled delivery.

-10 Semi-Recessed 2.125" (54 mm) in wall, projects 2" (51 mm) from wall. Not for use with grab bar.

-11 Surface-Mounted Projects 4.25" (108 mm) from wall. Not for use with grab bar.

-69 Reverse Door Option

Rough wall opening 15.5" W x 28.875" H x 4" D (394 x 733 x 102 mm)



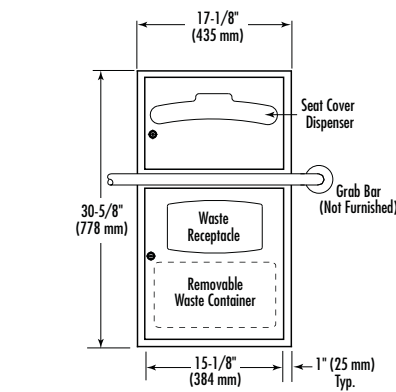
5932

Recess-mounted combination unit. Dispenses 1,000 standard single or half-fold paper toilet seat covers. Waste receptacle capacity 1.7 gal (6.4 L).

-10 Semi-Recessed

-11 Surface-Mounted

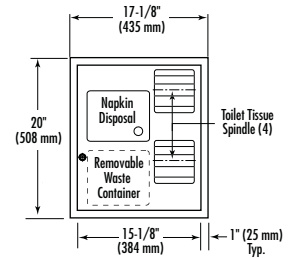
Rough wall opening 15.5" W x 28.875" H x 4" D (394 x 733 x 102 mm)



594

Partition-mounted combination unit serves two compartments. Dispenses four standard core rolls through 5.25" (133 mm) in diameter, two rolls per compartment. Non-controlled delivery. Waste receptacle capacity 1 gal (3.8 L).

Partition opening 15.5" W x 18.25" H (394 x 464 mm)



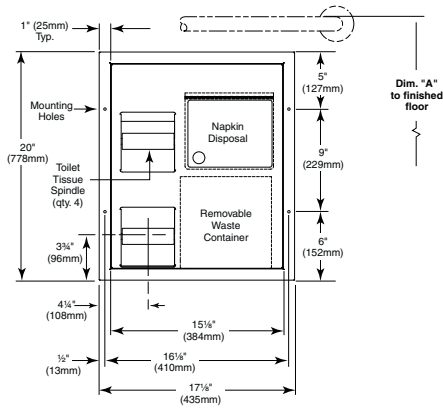


5941



Partition-mounted combination unit shall include toilet tissue dispenser, and napkin disposal, and be fabricated of, heavy gauge stainless steel with seamless exposed surfaces in satin finish. Door and back panel shall be 18 gauge. Door shall have piano hinge and tumbler lock.

Overall dimensions: 17.125" W x 20" H x 4.5" D
(435 x 508 x 114 mm)



5942



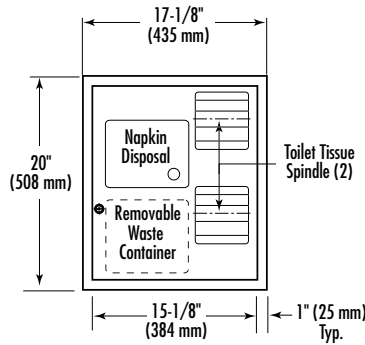
Recess-mounted combination unit. Dispenses two standard core rolls through 5.25" (133 mm) in diameter. Non-controlled delivery. Napkin disposal has self-closing, push-flap door. Waste receptacle capacity 1 gal (3.8 L).

-10 Semi-Recessed 3.25" (83 mm) in wall, projects 1.25" (32 mm) from wall.

-11 Surface-Mounted Projects 4.5" (108 mm) from wall.

-69 Reverse Door Option

Rough wall opening 15.375" W x 18.25" H x 4.25" D
(391 x 464 x 108 mm)



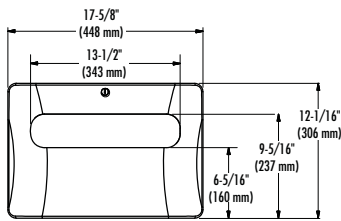


5A40-11



Designed with unique dual-curve geometry. Constructed of architectural satin finish stainless steel. Surface-mounted seat cover dispenser. Dispenses 250 standard single or half-fold paper toilet seat covers.

Unit measures 17.625" W x 12.0625" H x 1.75" D (448 x 306 x 44 mm)

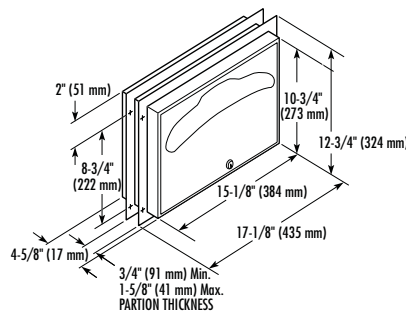


582



Partition-mounted seat cover dispenser serves two compartments. Dispenses 1,000 single-fold or half-fold paper seat covers.

Partition opening 11" H x 15.375" W (279 x 391 mm)



583



Surface-mounted seat cover dispenser. Dispenses 500 standard single or half-fold paper toilet seat covers.

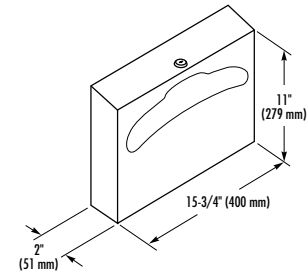
Unit measures 15" W x 11.5" H x 2.375" D (381 x 292 x 60 mm)

5831



Unit dispenses 250 toilet seat covers (shown)

Unit measures 15.75" W x 11" H x 2" D (400 x 279 x 51 mm)

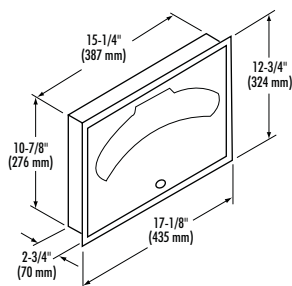


584



Recess-mounted seat cover dispenser. Dispenses 500 standard single or half-fold paper toilet seat covers.

Rough wall opening 15.75" W x 11.375" H x 2.75" D (400 x 289 x 70 mm)

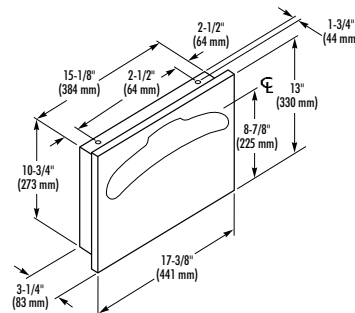


5847



Recess-mounted, seat cover dispenser. Dispenses 500 standard single or half-fold toilet seat covers.

Rough wall opening 15.625" W x 11.25" H x 2.75" D (397 x 286 x 70 mm)

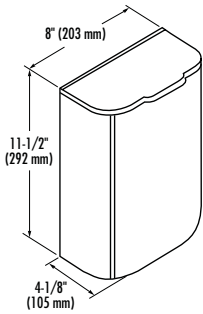




NEW 4781-11

Surface-mounted napkin disposal unit has hinged cover and bottom with lock. Uses disposable, wet-strength paper liner.

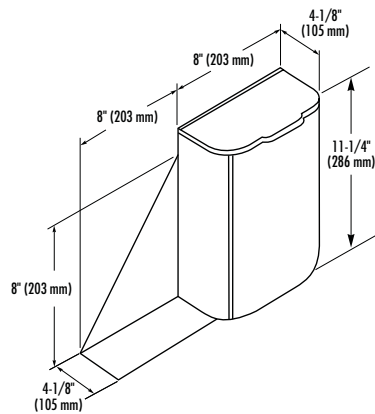
Unit measures 8" W x 11.5" H x 4.125" D
(203 x 292 x 105 mm)



BX NEW 4791-11

Surface-mounted napkin disposal with integral shelf has hinged cover and bottom with tumbler lock. Shelf welded to waste receptacle. Uses disposable, wet-strength paper liner.

Unit measures 16" W x 11.25" H x 4.125" D
(406 x 286 x 105 mm)



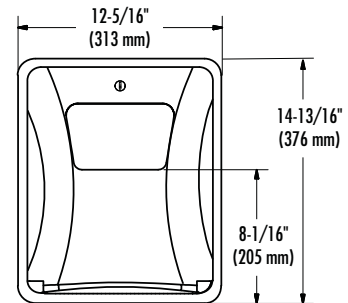
4A00



Designed with unique dual-curve geometry. Constructed of architectural satin finish stainless steel. 1.5 gal (5.7 L), recess-mounted napkin disposal with push-flap door. Removable plastic disposal.

-10 Semi-Recessed 2" (51 mm) in wall, projects 3.75" (95 mm) from wall

Rough wall opening 11.25" W x 13.75" H x 4" D
(286 x 349 x 102 mm)



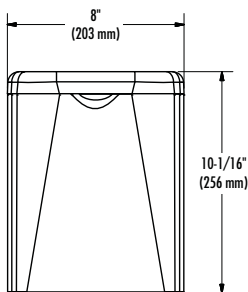


4A10-11



Designed with unique dual-curve geometry. Constructed of architectural satin finish stainless steel. 1.5 gal (5.7 L), surfacemounted napkin disposal with hinged cover. Accepts all after-market industry liners.

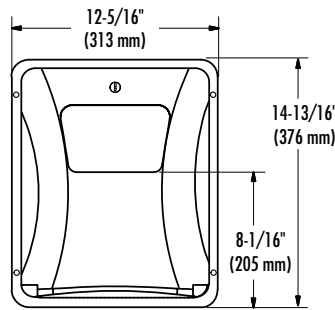
Unit measures 8" W x 10.0625" H x 3.875" D (203 x 256 x 98 mm)



4A11

Designed with unique dual-curve geometry. Constructed of architectural satin finish stainless steel. Mounts in partition to serve two compartments. 1.5 gal (5.7 L) napkin disposal with self-closing push-flap door. Removable plastic disposal.

Rough wall opening 11.25" W x 13.75" H (286 x 349 mm)



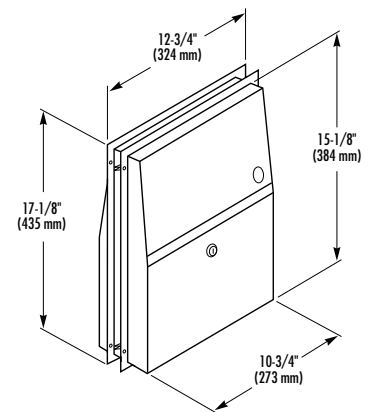
4721-15



Mounts in partition to serve two compartments. Two push-flap doors and stainless steel waste receptacle removable from one side. Flange adjusts for partitions from 0.5" (13 mm) to 1.25" (32 mm) thick. Uses disposable, wet-strength paper liner. 1.5 gal (5.7 L) capacity.

Note: If used with an odd number of compartments, use one Model 4722-15 in side wall of end compartment

Partition opening 11" W x 15.375" H (279 x 391 mm)



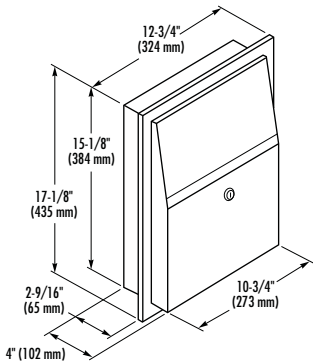


4722-1015

Semi-recessed napkin disposal unit with push-flap door and removable, stainless steel receptacle. Uses disposable, wet-strength paper liner.

Rough wall opening 11" W x 15.375" H x 2.5" D (279 x 391 x 64 mm)

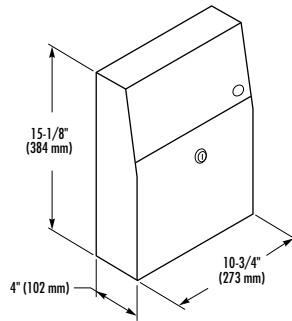
Unit projects 1.4375" (37 mm) from finished wall.



4722-15

Surface-mounted napkin disposal unit with push-flap door and removable, stainless steel receptacle. Uses disposable, wet-strength paper liner.

Measures 10.75" W x 15.125" H x 4" D (273 x 384 x 102 mm)

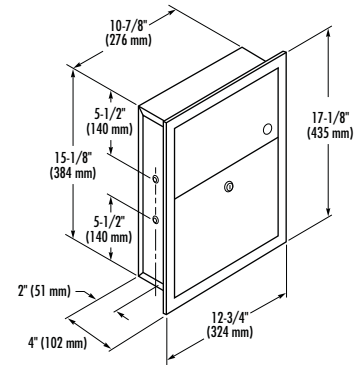


4731-15

Recess-mounted napkin disposal unit with push-flap door and removable, stainless steel receptacle. Uses disposable, wetstrength paper liner. May also be used as a small-capacity waste receptacle.

Rough wall opening 11.375" W x 15.375" H x 4" D (289 x 391 x 102 mm)

Unit projects 1.4375" (37 mm) from finished wall



4737

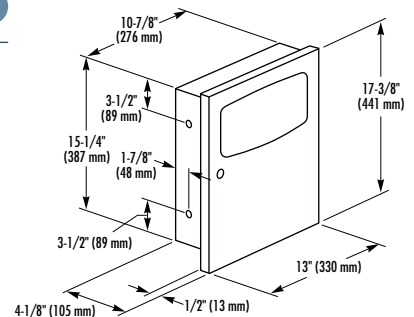
Recess-mounted napkin disposal with push-flap door. Removable, leak-proof, molded-plastic insert.

Rough wall opening 11.375" W x 15.375" H x 4" D (289 x 391 x 102 mm)

-10 Semi-Recessed 2.125" (54 mm) in wall, projects 2" (51 mm) from wall.

-11 Surface-Mounted Projects 4.125" (105 mm) from wall.

Note: Only recessed and semi-recessed.



All Bradley dispensers combine smooth, contemporary styling with durable, vandal-resistant construction. Doors feature full-length piano hinges and tumbler locks for added security and maintenance ease. Configurations range from semi-recessed and recessed to surface-mounted and partition-mounted models.



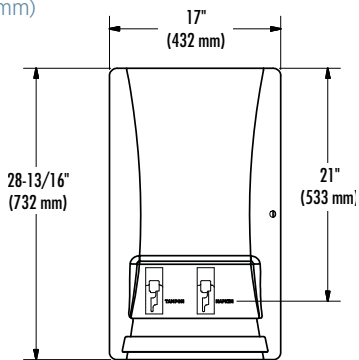
4A20

Designed with unique dual-curve geometry. Constructed of architectural satin finish stainless steel. Recess-mounted napkin/tampon vendor. Dispenses 18 napkins and 28 tampons. Specify coin choice (Free, 10¢, 25¢, 50¢ and \$1.00).

-11 Surface-Mounted Projects 5.75" (146 mm) from wall.

-45 25¢ Coin Operation

Rough wall opening 16.125" W x 27.875" H x 4" D (410 x 708 x 102 mm)

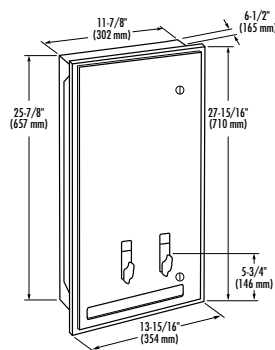


401

Recessed napkin/tampon vendor. Dispenses 30 napkins and 28 tampons. Slip-type flange permits full or partial recess installation or can be discarded for surface mounting. Coin mechanism may be replaced in the field without removing cabinet from wall. Specify coin choice (Free, 10¢, 25¢, 50¢, \$1.00).

-45 25¢ Coin Operation

Rough wall opening 12.5" W x 26.375" H x 6" D **BX** (318 x 670 x 152 mm)



4017

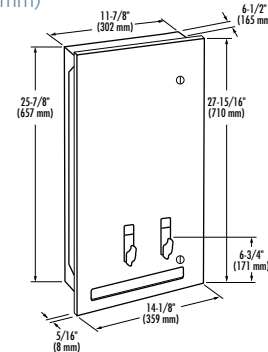
Recessed napkin/tampon vendor. Dispenses 30 napkins and 28 tampons. Full-length piano hinge and two tumbler locks. Coin mechanism may be replaced in the field without removing cabinet from wall. Specify coin choice (Free, 10¢, 25¢, 50¢, \$1.00).

-10 Semi-Recessed 4" (102 mm) in wall, projects 2" (51 mm) from wall

-11 Surface-Mounted Projects 6.75" (171 mm) from wall **BX**

-45 25¢ Coin Operation **BX**

Rough wall opening 12.5" W x 26.375" H x 6.5" D (318 x 670 x 165 mm)



407

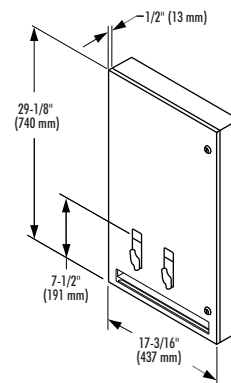
Recessed napkin/tampon vendor. Dispenses 18 napkins and 28 tampons. Shallow design permits unit to be fully recessed in a standard 4" (102 mm) deep wall. Coin mechanism may be replaced in the field without removing cabinet from wall. Specify coin choice (Free, 10¢, 25¢, 50¢, \$1.00).

-11 Surface-Mounted Projects 43/8" (111 mm) from wall.

-45 25¢ Coin Operation

-1145 Surface-Mounted with 25¢ Coin Operation

Rough wall opening 16.125" W x 27.875" H x 4" D (410 x 708 x 102 mm)





NEW 962



Recess-mounted unit with polyethylene body and barrier-free design. Brushed stainless steel exterior. Standard with molded, dual-liner dispenser (holds approximately 50 per dispenser). Safety belt with cam-buckle is adjustable with one hand. Pneumatic gas shock mechanism ensures smooth, safe open and close motions. Rated to support static load of 250 lb (113.4 Kg).

NEW 962-11



Surface-Mounted

NEW 963

Bacterial resistant high density polyethylene with steel to steel support hinges. Pneumatic gas shock mechanism opens and closes unit smoothly. Liner dispenser and purse/diaper bag hooks molded in. Nylon buckle is adjustable with one hand. Gray and White Speckled

NEW 9631



Solid Light Gray Color

NEW 9632



Ivory Color

NEW 964



Toddler wall seat. Bacterial resistant high density polyethylene with steel to steel support hinges. Pneumatic gas shock mechanism opens and closes unit smoothly. Nylon buckle is adjustable with one hand. Gray.

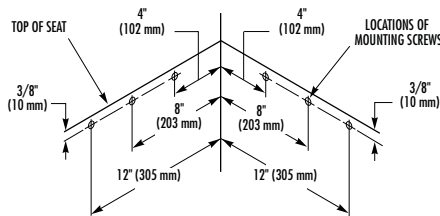


954

Hinged corner shower seat. Heavy-duty, satin-finish, stainless steel with 0.75" (19 mm) return edges. Folds to vertical position when not in use.

9541

Fixed Corner Shower Seat



9562

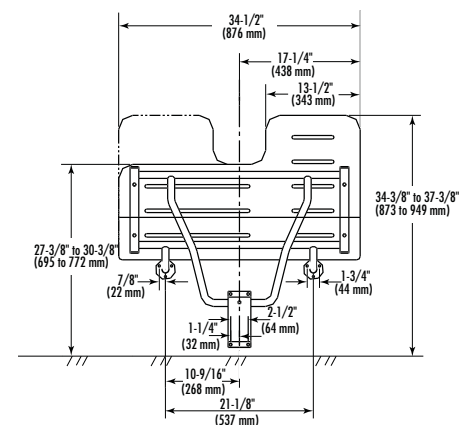
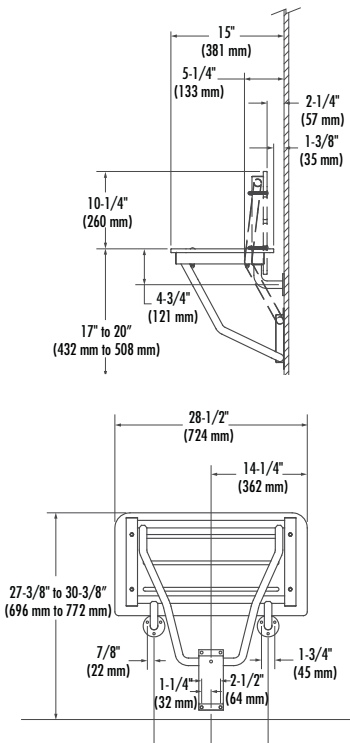
Folding, phenolic shower seat. Stainless steel tubing with stainless steel wall bracket and piano hinges. Seat of 0.5" (13 mm) solid phenolic. Folds to vertical position when not in use. Designed to support up to 400 lb (181.4 Kg) static load.



9569

Frame fabricated with satin-finish, stainless steel, 16-gauge U-channel and 18-gauge 1" (25 mm) diameter tubing. Seat constructed of 0.5" (13 mm) thick solid phenolic with white matte melamine finish. Reversible in field to be right or left. Barrier-free design. For color options, please see website. When properly installed, designed to support up to 250 lb (113.4 Kg) static load.

Reversible – Accommodates Right or Left Hand Configuration

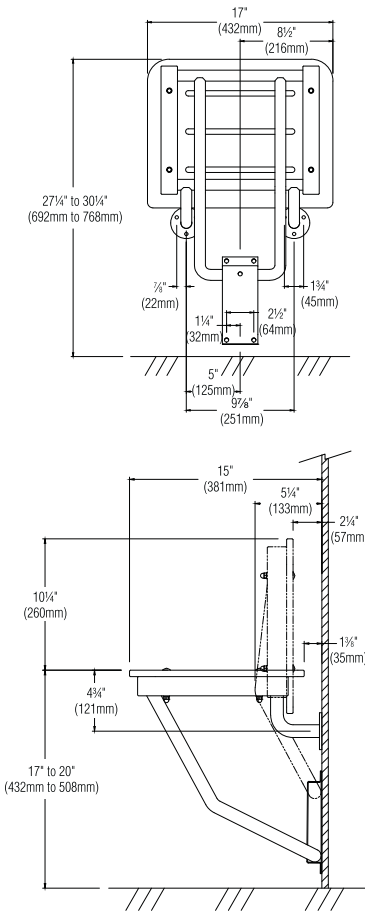




NEW 9591



Folding, phenolic shower seat. Stainless steel tubing with stainless steel wall bracket and piano hinges. Seat of 0.5" (13 mm) solid phenolic. Folds to vertical position when not in use. Designed to support up to 500 lb (226.8 Kg) static load.

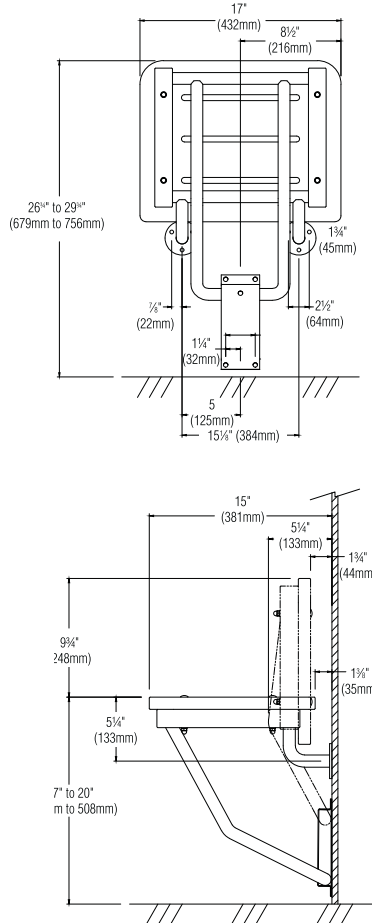


NEW 9592



Folding, Bradmar™ solid plastic shower seat. Stainless steel tubing with stainless steel wall bracket and piano hinges. Seat of 1" (25 mm) thick high-density polyethylene. All exposed edges are machined smooth. Square configuration. Folds to vertical position when not in use. Designed to support up to 500 lb (226.8 Kg) static load.

Color: Linen cobblestone with textured finish.

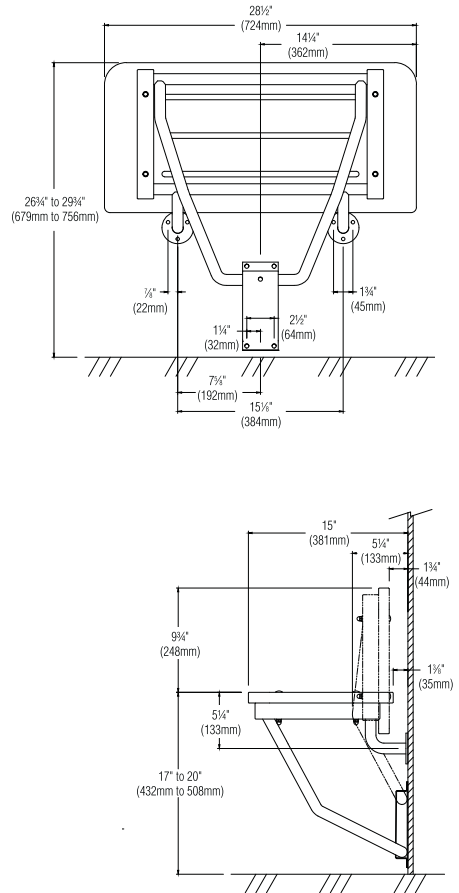


NEW 9593



Folding, Bradmar™ solid plastic shower seat. Stainless steel tubing with stainless steel wall bracket and piano hinges. Seat of 1" (25 mm) thick high-density polyethylene. All exposed edges are machined smooth. Square configuration. Folds to vertical position when not in use. Designed to support up to 400 lb (181.4 Kg) static load.

Color: Linen cobblestone with textured finish.





NEW 9594

Folding, Bradmar solid plastic shower seat. Stainless steel tubing with stainless steel wall bracket and piano hinges. Seat of 1" (25 mm) thick high-density polyethylene. All exposed edges are machined smooth. Square configuration. Folds to vertical position when not in use. Designed to support up to 250 lb (113.4 Kg) static load.

Color: Linen cobblestone with textured finish.

Reversible – Accommodates Right or Left Hand Configuration



957

Folding bariatric shower seat with left hand configuration and barrier-free design. Frame fabricated of stainless steel tubing, 1.25" (32 mm) x 18-gauge square main frame with 1" (25 mm) x 18-gauge round cross members. Seat of 0.5" (13 mm) thick solid phenolic with white matte melamine finish. When properly installed, designed to support at least 1200 lb (544.3 Kg).



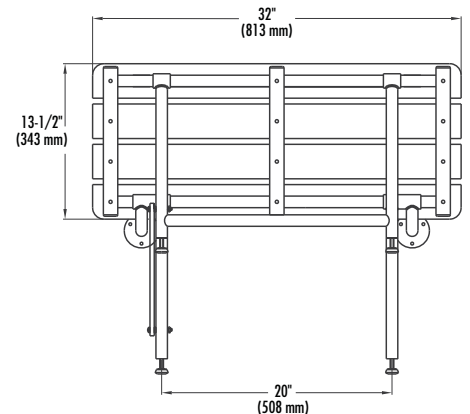
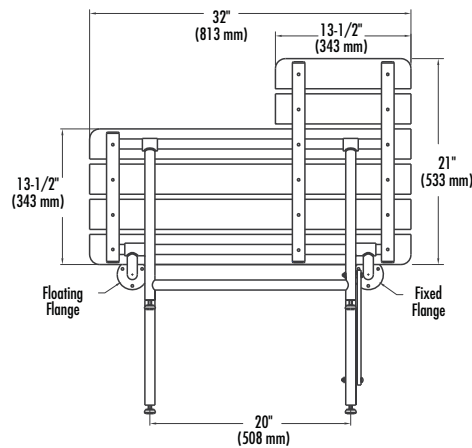
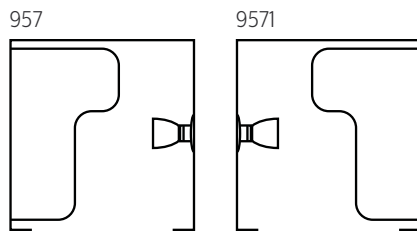
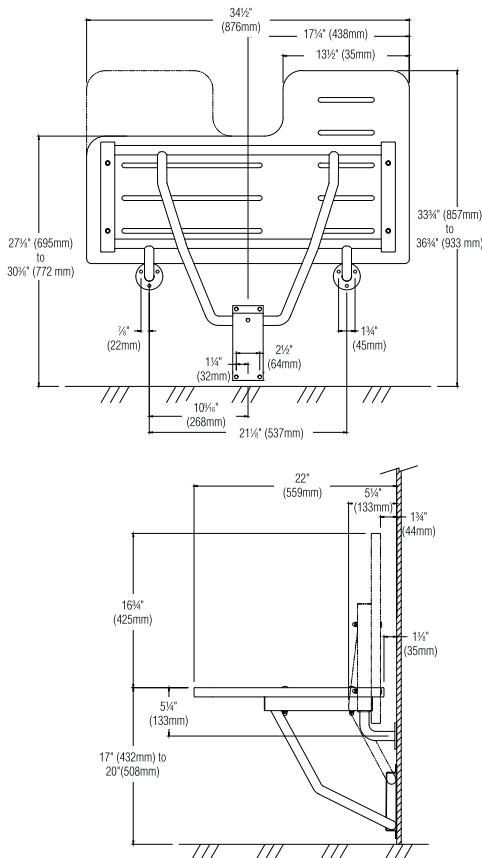
958

Folding bariatric shower seat with barrier-free design. Frame fabricated of stainless steel tubing, 1.25" (32 mm) x 18-gauge square main frame with 1" (25 mm) x 18-gauge round cross members. Seat of 0.5" (13 mm) thick solid phenolic with white matte melamine finish. When properly installed, designed to support at least 1200 lb (544.3 Kg).



9571

Right Hand Configuration





9533



Vinyl shower curtain. Fabricated of 6-gauge vinyl material. Hemmed edges and heat-sealed grommets on 6" (152 mm) centers. Curtain is white in color.

9535

Antimicrobial shower curtain. Fabricated of 10 oz (10 mil), nylonreinforced, antimicrobial, 8-gauge vinyl material. Flame resistant and self deodorizing with rust-proof grommet on 6" (152 mm) centers. All sides hemmed. Curtain is Green in color

9537



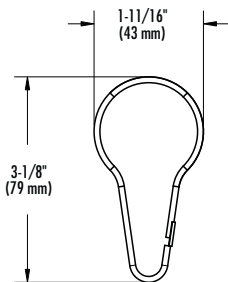
Same as model 9535 shower curtain in white

All shower curtains are available in widths of 36" (914 mm), 42" (1067 mm), 48" (1219 mm), 60" (1524 mm), or 72" (1829 mm) and heights of either 72" (1829 mm) or 78" (1981 mm).



9536

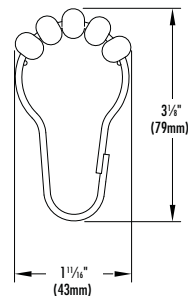
Shower curtain hook. Fabricated of stainless steel spring



9540

Shower curtain hook with rollers. Fabricated of stainless steel wire with snap fastener.

See technical data from website.



Model 9540



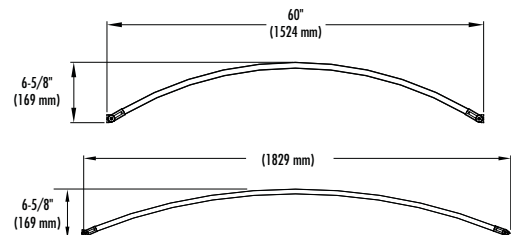
9530-60

Shower curtain rod fabricated of stainless steel, seamless construction with exposed surfaces in architectural satin finish. Accommodates 60" (1524 mm) shower stall increasing space in shower stall.

-78 Bright Polished Finish

9530-72

-78 Bright Polished Finish





9531



Heavy-duty shower curtain rod with exposed mounting. Rod of 18-gauge, satin-finish stainless steel; 1.25" (32 mm) O.D. Flanges of 22-gauge, satin-finish stainless steel; 3" O.D (76 mm). For lengths 72" (1829 mm) and greater, model 9522 is required. Must specify distance from ceiling.

BradEx Sizes: 36," 42," 48" and 60" (914 mm, 1067 mm, 1219 mm and 1524 mm)

9531-4

Bright Finish

For lengths 72" (1829 mm) and greater, model 9522 (ceiling support) is required. Must specify distance from ceiling.

953



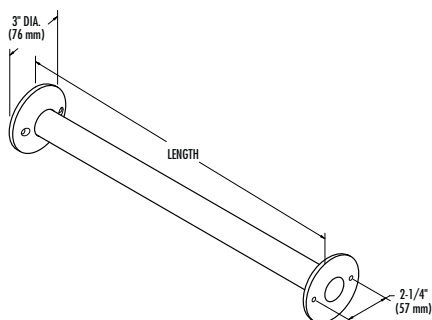
Shower curtain rod of satin-finish stainless steel; 1" (25 mm) O.D. For rods over 72" (1829 mm) and L shaped, specify model 9531 or 9539.

BradEx Sizes: 36", 48", 60" and 72" (914 mm, 1219 mm, 1524 mm and 1829 mm)

953-4



Bright Finish



9539

Heavy-duty shower curtain rod with concealed mounting. Fabricated of satin-finish stainless steel; 1.25" (32 mm) O.D. Flanges 3.1875" (81 mm) O.D. Escutcheons snap over flanges to provide concealed mounting. For lengths 72" (1829 mm) and greater, model 9522 (ceiling support) is required. Must specify distance from ceiling.

Sizes: 36", 48" and 60" (914 mm, 1219 mm and 1524 mm)

9539-4

Bright Finish

For lengths 72" (1829 mm) and greater, model 9522 is required. Must specify distance from ceiling.

9538



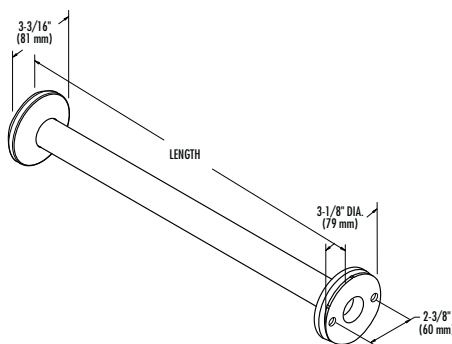
Shower curtain rod of satin-finish stainless steel; 1" (25 mm) O.D. For rods over 72" (1829 mm) and L shaped, specify model 9531 or 9539.

Sizes: 36", 42", 48", 60" and 72" (914 mm, 1067 mm, 1219 mm, 1524 mm and 1829 mm)

9538-4



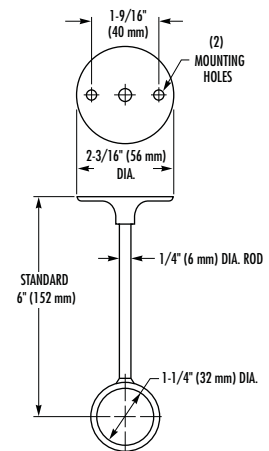
Bright Finish



9522

Shower rod ceiling support. For 1.25" (32 mm) O.D. shower curtain rod. Chrome-plated brass bracket, stainless steel rod and collar.

Required for shower rod 72" (1829 mm) and greater. Must specify distance from ceiling.



You can rely on Bradley for a complete line of durable Security Fixtures for penal institutions and detention facilities. Our broad-based accessory line ranges from bookshelves and clothes hooks to soap dishes and tissue holders. All are fabricated of heavy-duty stainless steel.



SA30

Security towel hook fabricated of heavy-duty stainless steel with exposed surfaces in architectural satin finish. One-piece formed and ground smooth. Chase-Mounted

Unit measures 5" W x 5" H (127 x 127 mm)
Projects 1.3125" (33 mm) from wall



SA32

Security towel hook strip fabricated of heavy-duty stainless steel with exposed surfaces in architectural satin finish. All seams are welded and ground smooth. Chase-Mounted

Unit measures 18" W x 5.5" H (457 x 140 mm)
Projects 1.3125" (33 mm) from wall



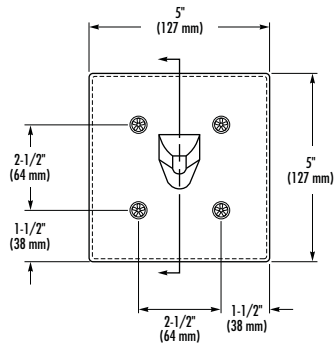
SA35

Security towel hook backplate fabricated of heavy-duty stainless steel in architectural satin finish. Safety hook of stainless steel with pivoting ball joint that releases when excessive force is applied. Chase-Mounted (shown to the left, top)

Unit measures 4" W x 4" H (102 x 102 mm)
Projects 2.25" (57 mm) from wall

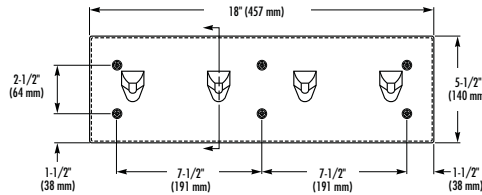
SA31

Front-Mounted (shown)



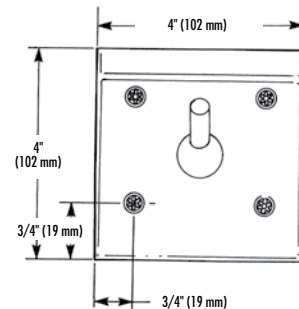
SA33

Front-Mounted (shown)



SA36

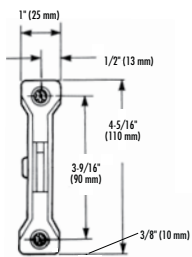
Front-Mounted (shown to the left, bottom)





SA37

Safety clothes hook. Bracket is fabricated of heavy-duty stainless steel with stainless steel hook. Hook trips into down position when excessive loading is applied. Tension can be adjusted by special torx driver. Front-Mounted
 Unit measures 1" W x 4.3125" H (25 x 110 mm)
 Projects 3" (76 mm) from wall

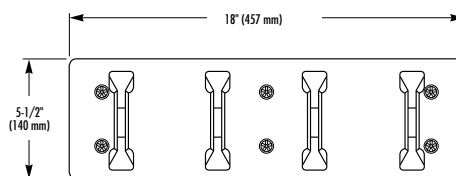


BX SA38

Security clothes hook strip. Bracket is fabricated of heavy-duty stainless steel with stainless steel hook. Hook trips into down position when excessive loading is applied. Chase-Mounted
 Unit measures 18" W x 5.5" H (457 x 140 mm)
 Projects 3" (76 mm) from wall

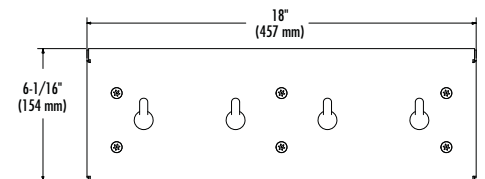
SA39

Front-Mounted (shown)



SA41

Security towel hook strip fabricated of heavy-duty stainless steel with exposed surfaces in architectural satin finish. All seams are welded and ground smooth. Safety hooks with pivoting ball joints that release when excessive force is applied.
 Unit measures 18" W x 6.0625" H x 2.25" D (457 x 154 x 57 mm)

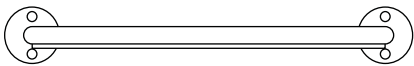




SA70

Grab bar, heavy-duty stainless steel tubing 1.5" (38 mm) O.D. with welded stainless steel mounting flanges. Meets or exceeds the requirements of ANSI Standard A117.1, the ADA and ABA Accessibility Guidelines for Buildings and Facilities (ADAAG) and the Uniform Federal Accessibility Standard (UFAS). Exposed front mounting with torx-head screws with welded stainless steel closure plate. Available in -001, -002 and -059 Configuration.

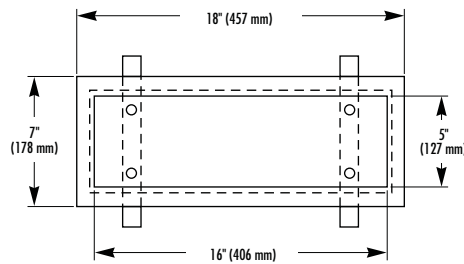
See technical data for BradEX sizes



SA47

Chase mounted, recessed shelf is fabricated of heavy-duty stainless steel with exposed surfaces in satin finish. Threaded studs are provided for rear mounting to specified wall thickness. Chase-Mounted

Unit 18" (457 mm) measures 16" W x 5" H x 4" D (406 x 127 x 102 mm) with 18" x 7" flange (457 x 178 mm)



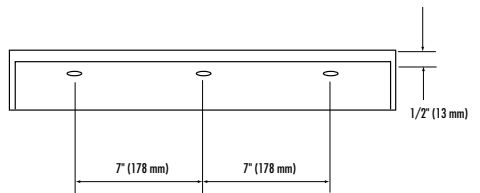
SA49



Security, recessed shelf fabricated of heavy-duty stainless steel with exposed surfaces in architectural satin finish. All welds are ground smooth with polished corners and burr-free edges. Back of shelf has welded anchor nuts to receive threaded studs (provided).

Chase-Mounted

Unit measures 16" W x 2.5625" H (406 x 65 mm)
Projects 4" (102 mm) from wall

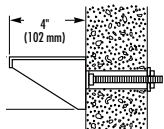
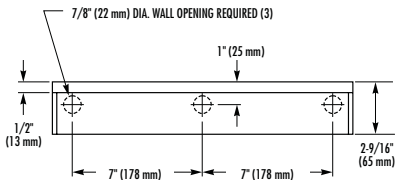




SA50

Chase mounted, security shelf with toothbrush slots. Fabricated of heavy-duty stainless steel in architectural satin finish. Four slots for toothbrushes. Threaded studs are provided for rear mounting to specified wall thickness. Chase-Mounted

Unit measures 18" W x 2.5625" H (457 x 65 mm)
Projects 4" (102 mm) from wall.



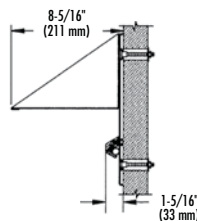
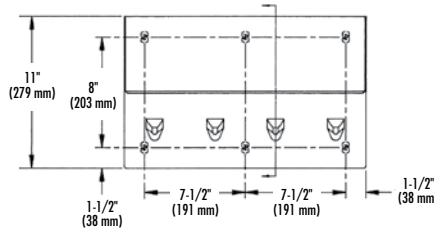
SA51

Security bookshelf with clothes hooks fabricated of heavy-duty stainless steel with exposed surfaces in architectural satin finish. All seams are welded and ground smooth. Shelf interior is glass blasted to a uniform finish. Safety hooks fabricated of bright, chrome-plated brass housing with stainless steel ball and spring. Friction mechanism releases when excessive force is applied. Chase-Mounted (shown)

Unit measures 18" W x 11" H (457 x 279 mm)
Projects 8.3125" (211 mm) from wall.

SA52

Front-Mounted



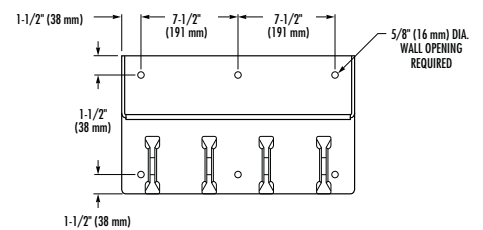
SA53

Security bookshelf with clothes hooks. Shelf and backplate are fabricated of heavy-duty stainless steel with architectural satin finish. Shelf interior is glass-blast satin finish. Bracket is fabricated of heavy-duty stainless steel with stainless steel hooks. Threaded studs are provided for rear mounting to specified wall thickness. Chase-Mounted (shown)

Unit measures 18" W x 11" H (457 x 279 mm)
Projects 8" (203 mm) from wall

SA54

Front-Mounted





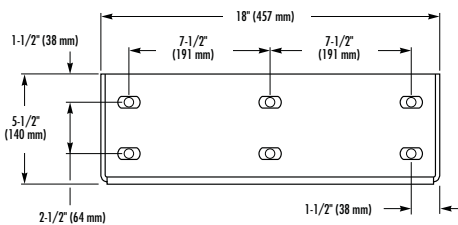
SA55

Security bookshelf fabricated of heavy-duty stainless steel with exposed surfaces in architectural satin finish. All seams are welded and ground smooth. Shelf interior is glass-bead blast finish. Backplate on rear-mounted unit has welded anchor nuts to receive threaded studs (provided). Chase-Mounted (shown)

Unit measures 18" W x 5.5" H (457 x 140 mm)
Projects 8" (203 mm) from wall

SA56

Front-Mounted



SA01

Security mirror frame fabricated of 14-gauge stainless steel. Reinforced with fiberboard backing. Chase mounted with welded anchor nuts on back of frame. Furnished with 0.25"-20 threaded studs cut to length for specified wall thickness. Designed for areas where ordinary mirrors are subject to breakage or theft, or can be used as weapons.

-1 20-gauge, 300 series stainless steel polished to a No. 8 architectural finish.

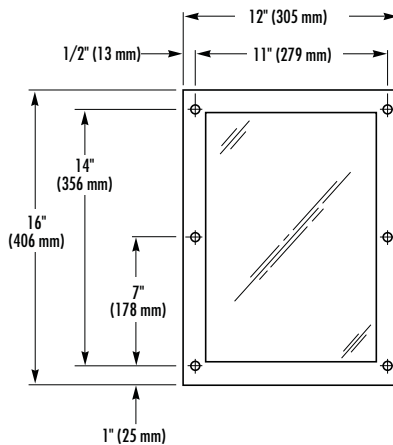
-2 20-gauge, 400 series stainless steel with bright annealed finish.

-5 Plexiglas® mirror.

Unit measures 12" W x 16" H (305 x 406 mm)

SA03

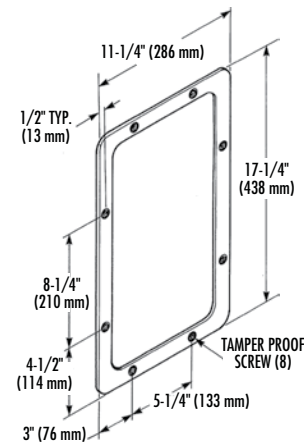
Front mounted furnished with vandal-resistant, torx-head machine screws.



SA05

Integral frame security mirror fabricated of stainless steel polished to No. 8 architectural bright finish. Counter-sunk holes for mounting. Furnished with 0.25" (6 mm) tamper-resistant machine screws. Designed for areas where ordinary mirrors are subject to breakage or theft, or can be used as weapons. (shown)

Unit measures 11.25" W x 17.25" H (286 x 438 mm)

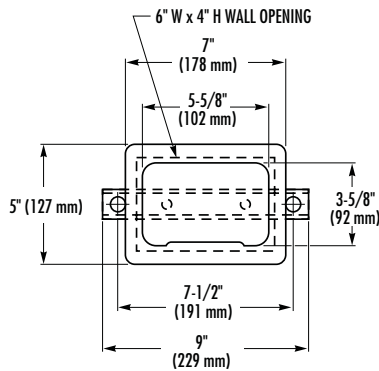




SA16

Chase-mounted, recessed soap dish fabricated of heavy-duty stainless steel with exposed surfaces in architectural satin finish. Rim of dish is beveled to insure tight fit to wall surface. Threaded studs are provided for rear chase mounting to specified wall thickness.

Unit measures 5.625" W x 3.625" H x 2.75" D (143 x 92 x 70 mm) with 5" x 7" (127 x 178 mm) flange

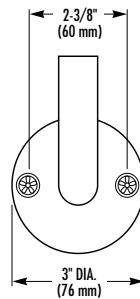


SA09

Security toilet tissue holder is fabricated of heavy-duty, seamless stainless steel tubing with architectural satin finish. Stainless steel end cap is welded and ground smooth. Chase-Mounted

SA10

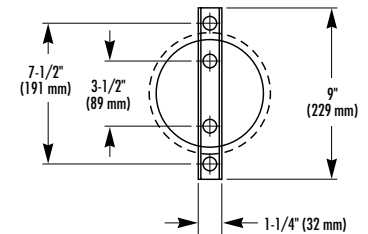
Front-Mounted (shown)



SA11



Chase-mounted, recessed, roll toilet tissue holder is one-piece, drawn stainless steel, seamless construction, 4.3125" (110 mm) deep, 5.5" (140 mm) inside diameter. Roll will project if contraband is concealed behind tissue. Threaded studs are provided for rear mounting to specified wall thickness.



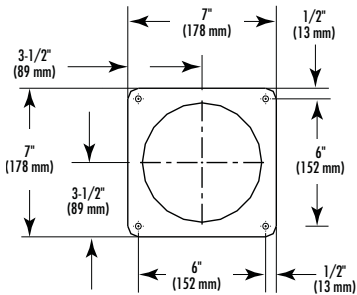


SA12



Front-mounted, recessed, roll toilet tissue holder is one-piece, drawn construction with welded front flange plate. Unit is 4.3125" (110 mm) deep, 5.5" (140 mm) inside diameter. Roll will project if contraband is concealed behind tissue.

Unit measures 7" W x 7" H x 4.5" D (178 x 178 x 114 mm)



SA13



Security toilet tissue holder is fabricated of heavy-duty, seamless stainless steel with exposed surfaces in architectural satin finish. Interior is satin-gloss blast finish. All welds and edges are ground smooth and corners are rounded. Chase-Mounted

Unit measures 4.75" W x 8" H (121 x 203 mm)
Projects 2.75" (70 mm) from wall.

SA14

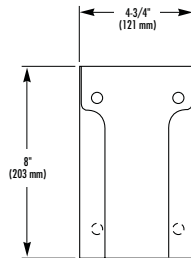


Front-Mounted (shown)

SA15



Partition-Mounted (for 1" (25 mm) thick partitions)



Bradley offers quality crafted accessories for hotel washrooms and showers. Sturdy, stainless steel construction provides years of dependable service. Attractive, streamlined design works well with contemporary or traditional styling. Available in a variety of finishes to complement any hotel decor.



9044



Surface-mounted stainless steel tumbler and toothbrush holder. Concealed mounting plate with set screw. Satin Finish

Unit measures 4.34375" W x 4.0625" D (110 x 103 mm)



924

Surface-mounted tumbler and toothbrush holder. Concealed mounting plate with set screw. Chrome-plated Zamac

Unit measures 4.5" W x 3.5" D (114 x 89 mm)



907

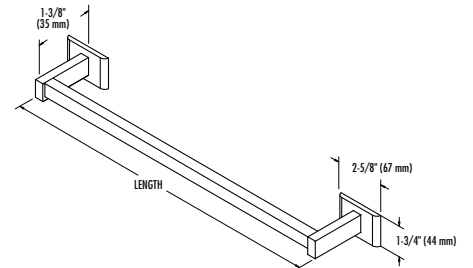
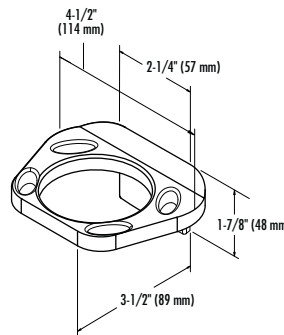
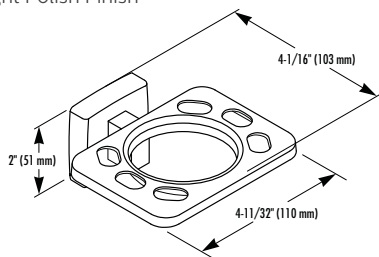


Towel bar. Snaps over concealed mounting plate. Chrome Plated Brass

Available in 18," 24" and 36" (457 mm, 610 mm and 914 mm) widths. Projects 1.375" (35 mm) from wall

9045

Bright Polish Finish



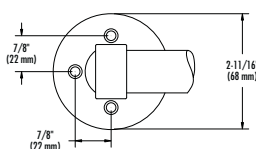
908

Heavy-duty, surface-mounted, round towel bar. Support posts are chrome-plated brass with satin finish. Bar is satin finish stainless steel, 1" (25 mm) O.D. Satin Finish.

-18 18" (457 mm) Length

-24 24" (610 mm) Length

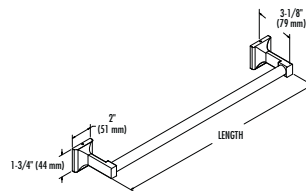
Available in 18," 24" and 30" (457 mm, 610 mm and 762 mm) widths. Projects 3.25" (83 mm) from wall.



926

Surface-mounted, 0.75" (19 mm) round towel bar. Concealed mounting plate with set screw. Chrome-plated Zamac

Available in 18" and 24" (457 mm and 610 mm) widths. Projects 3.125" (79 mm) from wall



9054

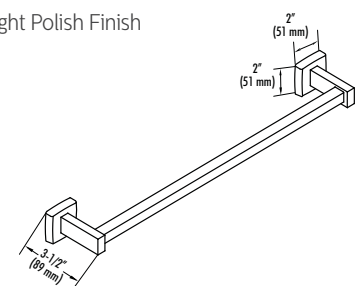


Surface-mounted stainless steel, 0.75" (19 mm) square towel bar. Concealed mounting plate with set screw. Satin Finish

Available in 18," 24" and 30"* (457 mm, 610 mm and 762 mm) widths. 30" (762 mm) not available for BradEX shipment. Projects 3" (76 mm) from wall

9055

Bright Polish Finish





9065



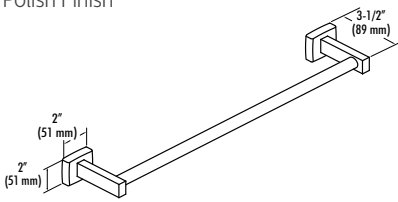
Surface-mounted stainless steel, 0.75" (19 mm) round towel bar. Concealed mounting plate with set screw. Satin Finish

Available in 18", 24" and 30"* (457 mm, 610 mm and 762 mm) widths. 30" (762 mm) not available for BradEX® shipment. Projects 3" (76 mm) from wall

9066



Bright Polish Finish



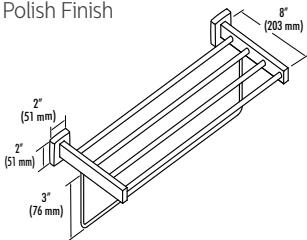
9104-90

Surface-mounted stainless steel, 8" (203 mm) D towel shelf with towel bar. Concealed mounting plate with set screw. Satin Finish

Available in 18" or 24" (457 mm or 610 mm) widths

9105-90

Bright Polish Finish



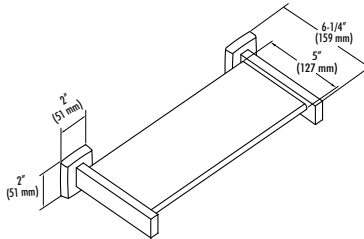
9094

Surface-mounted stainless steel, 5" (127 mm) D shelf. Concealed mounting plate with set screw. Satin Finish

Available in 18" or 24" (457 mm and 610 mm) widths. Projects 6.25" (159 mm) from wall

9095

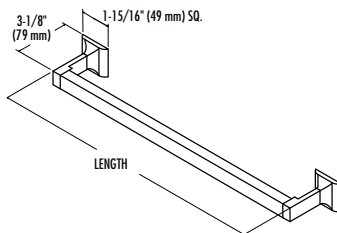
Bright Polish Finish (shelf is satin finish)



927

Surface-mounted, 0.75" (19 mm) square towel bar. Concealed mounting plate with set screw. Chrome-plated Zamac

Available in 18" and 24" (457 mm and 610 mm) widths. Projects 3.125" (79 mm) from wall.



9104

Surface-mounted stainless steel, 8" (203 mm) D towel shelf. Concealed mounting plate with set screw. Satin Finish.

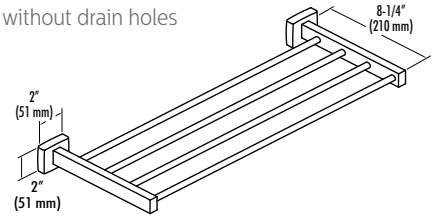
Available in 18" or 24" (457 mm and 610 mm) widths. See technical data for BradEX sizes



9105

Bright Polish Finish

-63 without drain holes

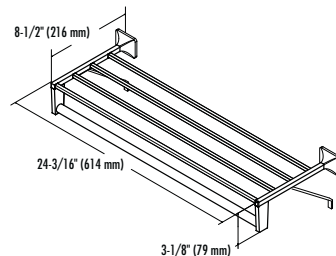


9301



Surface-mounted, 8.5" (216 mm) deep towel shelf with towel bar and support braces. Concealed mounting plate with set screw. Chrome-plated Zamac

Available in 18" or 24" (457 mm and 610 mm) widths.





900



9014

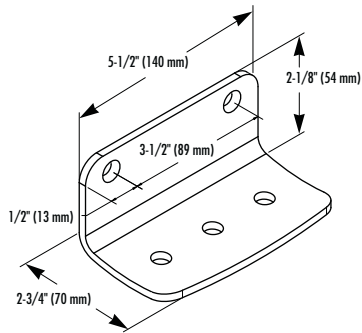


9352



Surface-mounted stainless steel, extra heavy-duty, 7-gauge soap dish with drain holes. Satin Finish

Unit measures 5.5" W x 2.125" H x 2.75" D (140 x 54 x 70 mm)



Surface-mounted stainless steel soap dish with drain holes. Concealed mounting plate with set screw. Satin Finish

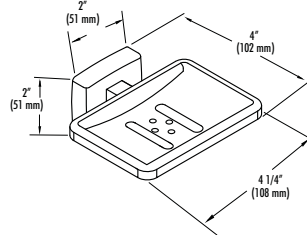
-63 Without Drain Holes

Unit measures 4.25" W x 4" D (108 x 102 mm)

9015



Bright Polish Finish



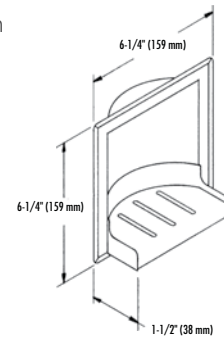
Recess-mounted stainless steel soap dish. Plastic soap tray. Bright Polish Finish

Rough wall opening 5.25" W x 5.25" H x 2" D (133 x 133 x 51 mm)

9353



Satin Finish



9362

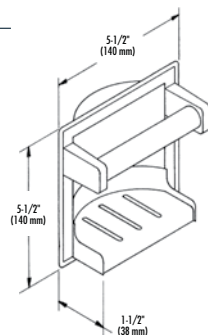
Recess-mounted soap dish. Heavy, clear-plastic soap tray. Bright Polish Finish Stainless Steel.

-55 Back Clamp for Drywall Mounting

Rough wall opening 5.25" W x 5.25" H x 2" D (133 x 133 x 51 mm)

9363

Satin Stainless Steel



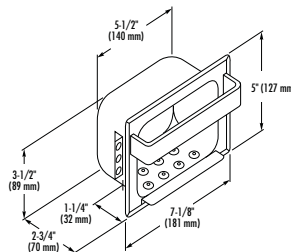
940

Recess-mounted stainless steel soap dish. Unit anchors in masonry walls with mortar lugs. Satin Finish

Rough wall opening 6.25" W x 4.25" H x 2.75" D (159 x 108 x 70 mm)

9402

Unit with back clamp for drywall mounting



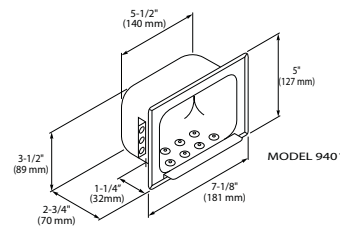
9401

Recess-mounted stainless steel soap dish
Rough wall opening 6.25" W x 4.25" H x 2.75" D (159 x 108 x 70 mm). With Mortar Lugs (shown to the left, top)

9403

With Wall Clamp

-96 Unit without drip lip





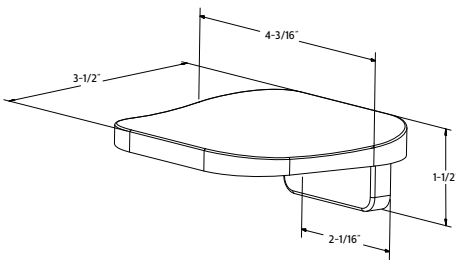
921

Surface-mounted soap dish. Concealed mounting plate with set screw. Chrome-plated Zamac.

Unit measures 4.1875" W x 1.5"H x 3.5"D
(106 x 38 x 89 mm)

921-60

With Drain Holes

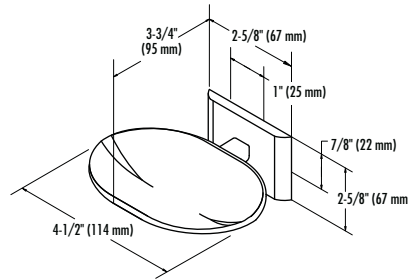


901

Soap dish. Snaps over concealed mounting plate. Chrome Plated Brass.

901-60

With Drain Holes.



987

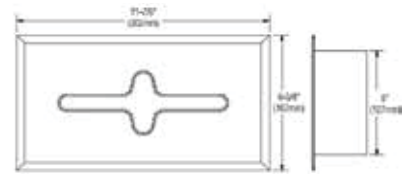
Recess-mounted facial tissue dispenser fabricated of stainless steel with exposed surfaces in satin finish. Rolled rim on face plate opening. Holds one box of 100 tissues. Satin Finish.

Unit measures 11.625" W x 6.25" H x 2.625" D
(295 x 159 x 67 mm)

987-78

Polished Stainless Steel Finish.

See bradleycorp.com for exact dimensions

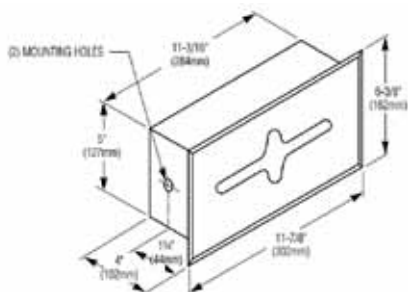


987-36

Recess-mounted, large-capacity facial tissue dispenser fabricated of stainless steel with exposed surfaces in satin finish. Holds one box of 300 tissues. Satin Finish.

Rough wall opening 10.75" W x 5.125" H x 4" D
(273 x 130 x 102 mm)

See bradleycorp.com for exact dimensions.

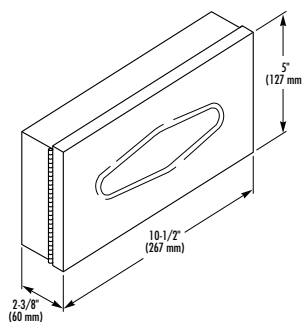


987-11

Surface-mounted facial tissue dispenser fabricated of stainless steel with exposed surfaces in satin finish. Holds one box of 100 tissues. Satin Finish.

Unit measures 10.5" W x 5" H x 2.375" D
(267 x 127 x 60 mm)

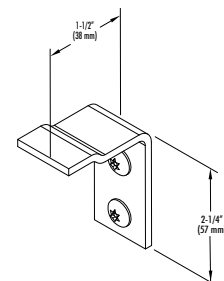
See bradleycorp.com for exact dimensions.



9111

Surface-mounted stainless steel clothes hook. Exposed mounting. Satin Finish.

Projects 1.5" (38 mm) from wall





9114



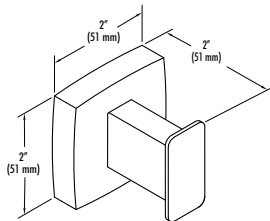
Surface-mounted stainless steel, single robe hook. Concealed mounting plate with set screw. Satin Finish.

Units measure 2" W x 2" H (51 x 51 mm)
Projects 2" (51 mm) from wall

9115



Bright Polish Finish



9314



Surface-mounted stainless steel towel hook. Concealed mounting plate with set screw. Satin Finish.

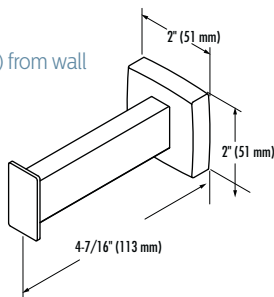
Projects 4.4375" (113 mm) from wall

9315



Bright Polish Finish.

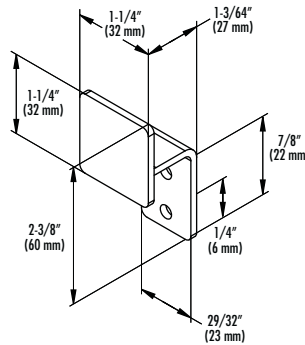
Projects 4.125" (105 mm) from wall



917

Surface-mounted stainless steel, single robe hook. Exposed mounting. Satin Finish.

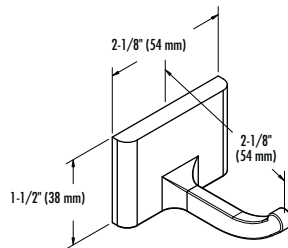
Projects 1.125" (29 mm) from wall



931

Surface-mounted, single robe hook. Concealed mounting plate with set screw. Chrome-plated Zamac

Projects 2.125" (54 mm) from wall



9124

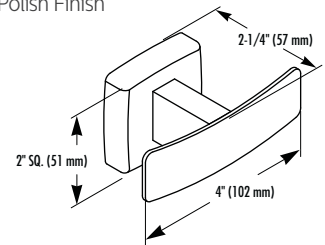
Surface-mounted stainless steel, double robe hook. Concealed mounting plate with set screw. Satin Finish.

Projects 2.25" (57 mm) from wall

9125



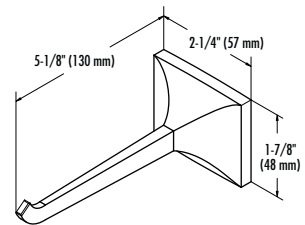
Bright Polish Finish



9311

Surface-mounted towel hook. Concealed mounting plate with set screw. Chrome-plated Zamac

Projects 5.125" (130 mm) from wall.



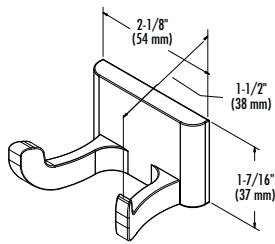


932



Surface-mounted, double robe hook. Concealed mounting plate with set screw. Chrome-plated Zamac.

Projects 1.5" (38 mm) from wall

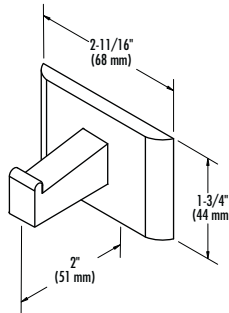


911



Single robe hook. Snaps over concealed mounting plate. Chrome-plated Brass.

Projects 2" (51 mm) from wall



9118



Robe hook constructed of forged brass with bright chrome finish. Exposed Mounting.

–81 Satin Chrome-Plated Brass

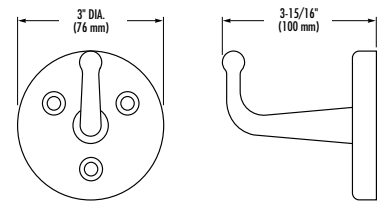
Unit measures 3" (76 mm) in diameter

Projects 3.9375" (100 mm) from wall

9119



Concealed Mounting

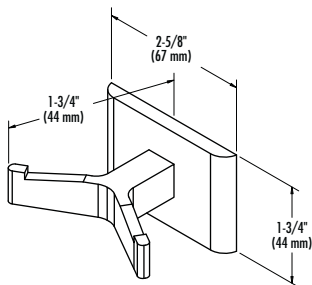


912



Double robe hook. Snaps over concealed mounting plate. Chrome-plated Brass.

Projects 1.75" (44 mm) from wall

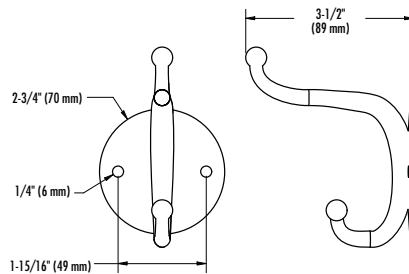


914



Double hook. Exposed fasteners. Unit measures 2.75" in diameter. Chrome-plated Brass.

Projects 1.5" (38 mm) and 3.5" (89 mm) from wall

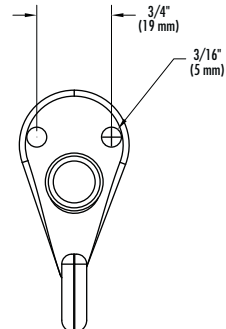


915



Hook and bumper. Exposed fasteners. Chrome-plated Brass.

Projects 3" (76 mm) from wall.





9134



Surface-mounted stainless steel, combination hat and coat hook. Concealed mounting plate with set screw. Satin Finish.

Projects 2.625" (67 mm) from wall



9334



Surface-mounted stainless steel towel ring. Concealed mounting plate with set screw. Satin Finish.

Projects 2.375" (60 mm) from wall



934



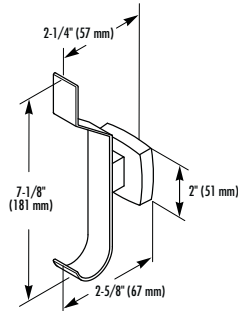
Surface-mounted towel ring. Concealed mounting plate with set screw. Chrome-plated Zamac.

Projects 1.75" (44 mm) from wall

9135



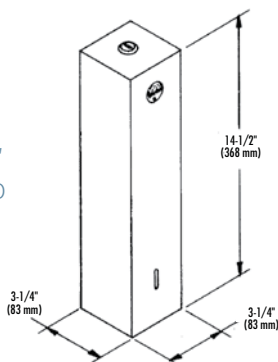
Bright Polish Finish.



9495

Surface-mounted cup dispenser. Fabricated of 22-gauge stainless steel with exposed surfaces in architectural satin finish. Cabinet hinged at bottom and secured with tumbler lock on top. Holds 150 - 3 oz (89 ml) cups. Also accommodates 7 oz (207 ml) cups.

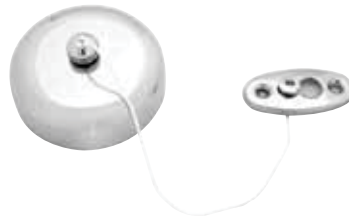
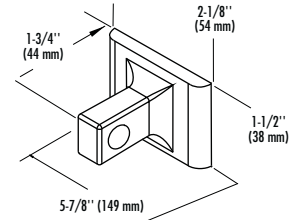
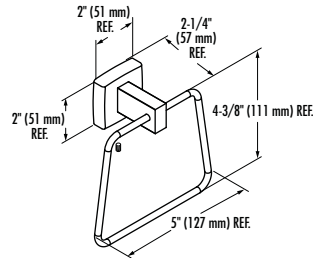
Unit measures 3.25" W x 14.5" H x 3.25" D (83 x 368 x 83 mm)



9335



Bright Polish Finish



947

Surface-mounted retractable clothesline. Constructed of heavygauge No. 8 bright polished stainless steel. Cord length is 6' (1.83 M).



9164

Surface-mounted, satin finish stainless steel bottle opener.

Bradley offers a variety of hook, holder and shelf combinations to organize custodial equipment. Different configurations are available to fit any need or any space. Welded stainless steel construction stands up to tough use. Available in architectural satin finish.



9933



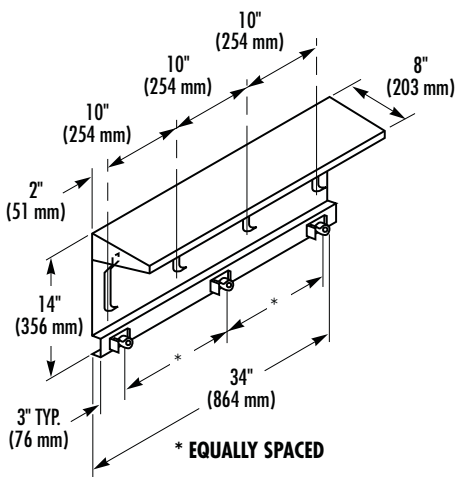
One-piece construction with welded gusset and hooks. Mop and broom holders consist of spring-activated rubber cams on plated steel retainers. 4 hooks and 3 holders.

Unit measures 14" H x 34" L (356 x 864 mm).
Shelf projects 8" (203 mm) from wall

9934

5 hooks and 4 holders.

Unit 44" (1118 mm) L,



9943



3 hooks.

Unit measures 7.25" H x 24" L (184 x 610 mm).
Projects 2.25" (57 mm) from wall.

9944

4 hooks.

Unit 36" (914 mm) L

9945

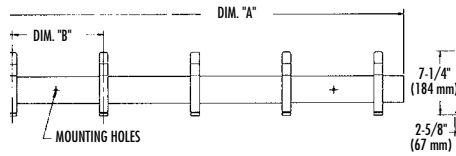
5 hooks.

Unit 48" (1219 mm) L

9946

6 hooks.

Unit 60" (1524 mm) L



9953



Surface-mounted mop and broom holder.

Fabricated of satinfinish stainless steel. Mop and broom holders consist of springactivated rubber cams on plated-steel retainers. 3 holders.

Unit measures 4" H x 24" L (102 x 610 mm)
Projects 2.75" (70 mm) from wall

9954

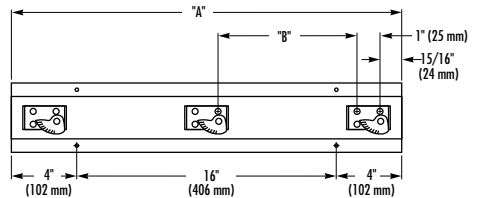
4 holders.

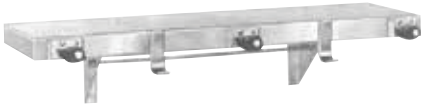
Unit 36" (914 mm) L

9955

5 holders.

Unit 48" (1219 mm) L





9983

Surface-mounted utility shelf with drying rod. Fabricated of satinfinish stainless steel. Mop and broom holders of spring-activated rubber cams on plated-steel retainers. 2 hooks and 3 holders.

Unit measures 30" L x 8" D (762 x 203 mm)



991

Corner guard, fabricated of stainless steel with exposed surfaces in architectural satin finish. Exposed surfaces are rounded. No sharp corners. Secured to wall with special adhesive backing.

Unit measures 3.5" W x 40" H (89 x 1016 mm)

See technical data for BradEX sizes



9984



3 hooks and 4 holders.

Unit 36" (914 mm) L

9985

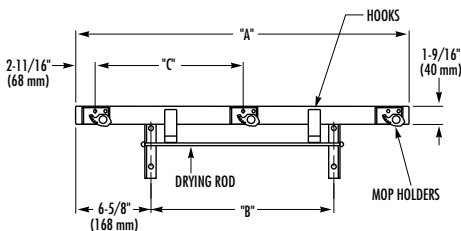
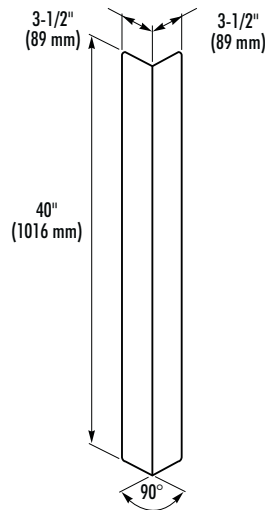
4 hooks and 5 holders.

Unit 42" (1067 mm) L

9986

5 hooks and 6 holders.

Unit 48" (1219 mm)



Hygiene, durability and safety are featured in Bradley's hospital/patient care line. Fabricated of stainless steel for continuous, trouble-free use.



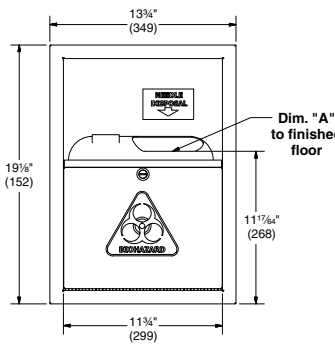
NEW 989

Recessed needle disposal fabricated of stainless steel with exposed surfaces in satin finish. Door secured by piano hinge. Removable needle disposal with tumbler lock. Needle disposal not included.

Rough wall opening 12" W x 17.375" H x 5" D (305 x 441 x 127 mm)

NEW 989-11

Surface-Mounted.



9813

Specimen pass-thru cabinet. Self-closing doors with stainless steel piano hinges and chrome-plated brass knobs. Interlock mechanism prevents both doors from being open at the same time. Equipped with seam-soldered spill tray.

Rough wall opening 11.625" W x 10.875" H (295 x 276 mm). Flanges adjust from 3.5" (89 mm) to 5.5" (140 mm) wall thickness.



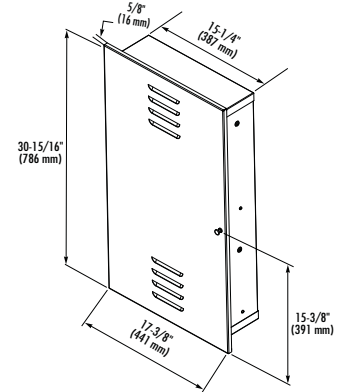
BX 990

Recess-mounted bedpan storage cabinet. Door has full-length piano hinge, magnetic catch, rodstop, chrome-plated brass knob and ventilation louvers. Interior rods and removable drip pan. Leak-proof bottom prevents leakage behind unit and into wall structure.

Rough wall opening 15.625" W x 29.0625" H x 5" D (397 x 738 x 127 mm)

990-11

Surface-Mounted.



9905

Surface-mounted bedpan and urinal storage unit. Fabricated of stainless steel with exposed surfaces in satin finish. *Note: Bedpan and urinal not included*

Unit measures 12" W x 24" H (305 x 610 mm). Projects 5.25" (133 mm) from wall



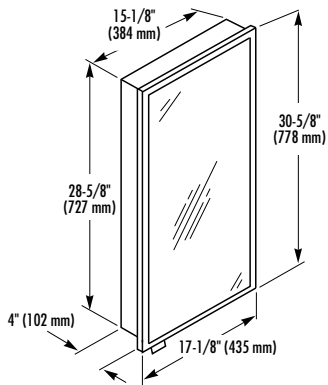
175

Recess-mounted, stainless steel medicine cabinet. 0.25" (6 mm) thick mirrored door 17.125" W x 30.625" H (435 x 778 mm) and spring-buffered rodstop. Cabinet may be field inverted for left hand door swing. Three adjustable stainless steel shelves.

-10 Semi-Recessed

-11 Surface-Mounted

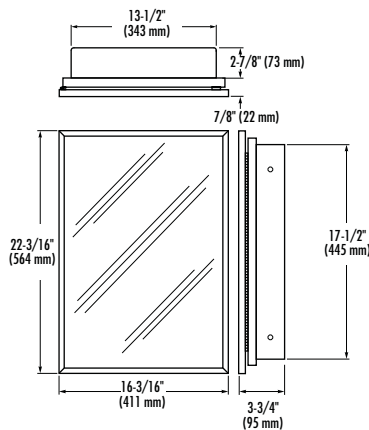
Rough wall opening 15.625" W x 29.125" H x 4" D (397 x 740 x 102 mm)



9661

Recess-mounted medicine cabinet. Cabinet is fabricated of sturdy one-piece, white injection-molded polystyrene. Door is steel with baked-enamel finish. Door has full piano hinge and magnetic catch. Mirror frame of stainless steel. Two adjustable polystyrene shelves. Reversible to swing either left or right.

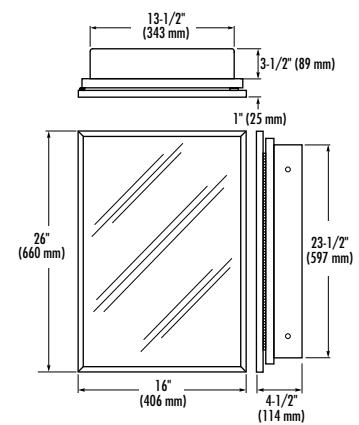
Rough wall opening 14" W x 18" H x 3" D (356 x 457 x 76 mm)



9663

Recess-mounted medicine cabinet. Seamless cabinet fabricated of one-piece, heavy drawn steel with baked-enamel finish. Mirror frame of stainless steel. Mirror of first-quality float glass, electro-copper-plated backed. Three adjustable pre-painted metal shelves. Reversible for left or right hand swing.

Rough wall opening 14" W x 24" H x 3.625" D (356 x 610 x 92 mm)

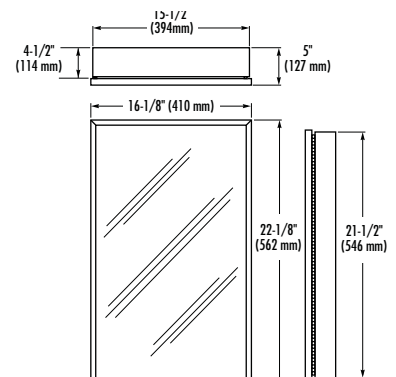


9664

Surface-mounted medicine cabinet. Fabricated of heavy-gauge steel with baked-enamel finish. Mirror frame of stainless steel. Mirror of first-quality float glass, electro-copper-plated backed. Two removable metal shelves. Reversible for left or right hand swing.

Unit measures 16.25" W x 22.25" H x 5" D (413 x 565 x 127 mm)

BX



PARTITION MATERIALS



BRADMAR™

Fabricated from 30% pre-consumer or 100% post-consumer recycled high-density polyethylene (HDPE). No-Site™ style partitions with no gap between the doors and pilasters are available in Bradmar. Standard colors including speckled and solid colors with stainless steel shoes and aluminum wall brackets. Suited for humid and wet areas, and high-traffic or vandal-prone locations. Recommended for schools, parks, recreation centers. 15-year warranty. Hardware: Heavy-duty aluminum. Extended heights available.



PHENOLIC

Highly durable. Almost any Formica®, Arborite® or Trespa color/pattern can be selected. Edges are solid black. Recommended for humid and wet areas. Resists water, oil, and bacteria. Withstands hose-down cleaning. Suited for outdoor parks, pools, shower rooms. 3-year warranty against delamination and discoloration. Hardware: Heavy-duty, cast stainless steel, stamped stainless steel door hinges. Extended heights available.



POWDER COATED

High-quality gloss finish. Low cost. Recommended for office buildings, restaurants, religious institutions and environments less prone to vandals. 15-year warranty against rust-out. Hardware: Heavy-duty, chromed Zamac. Extended heights available.



STAINLESS STEEL

High design and contemporary style. Soft brushed satin finish, 5WL textured or leather-grain patterns available. Textured patterns wrap around edges. Recommended for airports, stadiums, rest stops. 15-year warranty against rust-out. Hardware: Heavy-duty, chromed Zamac. Extended heights available.

PARTITION SERIES



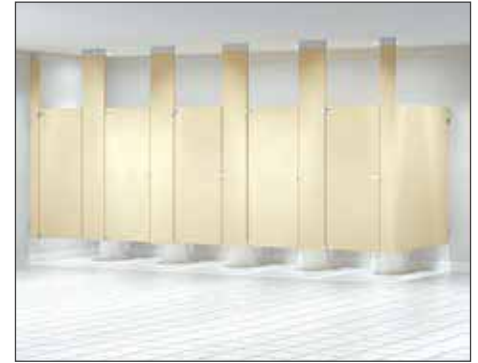
400 SERIES SENTINEL™ OVERHEAD BRACED

Overhead braced partitions provide the most economical solution for heavy-traffic and vandalism-prone areas. Because it requires no special floor or ceiling construction, installation is easy in new or old buildings. The anti-grip head rail provides outstanding rigidity.



500 SERIES FLOOR BRACED

This style complements design with functional performance. Recommended for buildings with high ceilings, it enhances the effect of spaciousness. A minimum of 3" (76 mm) concrete construction is required for anchoring. This style is not available in Bradmar solid plastic.



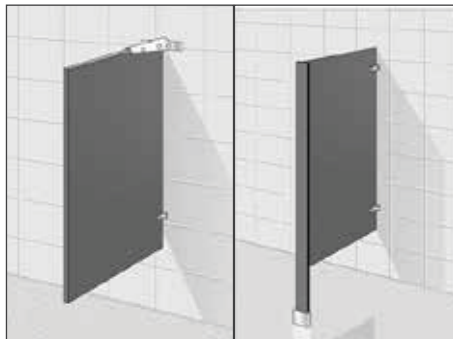
600 SERIES CEILING HUNG

Ideal for areas with low ceilings. Offering an area free from obstruction to allow for fast and easy maintenance, this system requires proper structural supports in the ceiling for maximum rigidity. Not recommended for ceiling heights over 8' (2.4M). This style is not available in Bradmar solid plastic.



700 SERIES FLOOR-TO-CEILING

Anchored at the floor and ceiling, main structural support can be provided by Series 500 or 600 mounting systems. Perfect for areas where additional support is required.



URINAL SCREENS

Wall-hung style provides economy and ease of maintenance while floor supported or floor-to-ceiling (not shown) screens offer extra stability for high-traffic areas.



SHOWER DIVIDERS

Available in Bradmar solid plastic, an advanced formula of high-density polyethylene (HDPE). Standard sized or customized to meet your facility layout, Bradmar shower dividers are available in multiple colors, including speckled and solid colors (see bradleycorp.com for complete list of colors). All Bradmar solid plastic products are covered by a 15-year warranty.

Design flexibility is a prime feature of Lenox® Lockers, offering countless options and configurations. Installation is simple. Lockers are shipped fully assembled and ready for attachment to the wall and each other. Solid plastic lockers are formed of polymer resin with homogeneous color. Doors and frames are 1/2" (13 mm) thick, and sides, shelves, tops and bottoms are 3/8" (10 mm) thick. Locker box is one piece, all welded construction, providing outstanding rigidity and strength. Continuous latch bar runs the entire length of the door, providing a secure closure. Handle mechanism is capable of accepting a padlock and is securely fastened to the door. NEW DCL Lock option has a digital combination, so no more lost keys. Stainless steel piano hinge is continuous and integrates into the full length of the door and main locker body. 20-year warranty against rust, delamination or breakage of any of the plastic components under normal use.



OPTIONS INCLUDE

DCL Locks Combination Padlocks	Number Plates	Coat Rods
Built-in Key Locks	Solid Plastic Bases	Plastic Coat Hooks
Wall Hooks	Built-in Combination Locks	Slope Tops
Mesh Doors	Fillers	Coin-Operated Locks
Colored Flat Tops	Engraved Logos	Mirrors
Card Locks	End Panels	



Z-LOCKER

Z-Locker design provides practical multi-tiered storage without wasting valuable floor space or compromising customer satisfaction. Double your locker availability while still providing clients with hanging space to keep garments wrinkle free.



GEAR LOCKERS

Wider and deeper than standard lockers, Lenox Gear Lockers provide maximum storage and maximum durability with the best lead time and best warranty available!



CUBBY LOCKER

The easy-access cubby locker is perfect for items that do not require locked storage. The durable cubby is shipped fully assembled and can reduce installation costs by up to 50 percent.



LOCKER BENCH

The 1" (25 mm) thick bench top is smooth, seamless and oversized. The 20" (508 mm) locker underneath provides valuable additional storage space. Available in 3' (0.9 M) through 6' (1.8 M) lengths.



PEDESTAL BENCH

The bench top is 1.5" (38 mm) thick and available in 36" (914 mm) to 96" (2438 mm) in one-foot increments. Pedestals are black anodized aluminum. ADA-compliant height is 18.5" (470 mm). 9.5" 12," 18" and 24" (241 mm, 305 mm, 457 mm and 610 mm) widths available.



CUBBY BENCH

Convenient seating and easy-access storage in one. Space-saving solution. Shipped fully assembled.



STAINLESS STEEL

Stainless Steel is a low-carbon steel that contains chromium. The addition of chromium gives the steel its unique corrosion-resisting properties. It is extremely durable, resists corrosion, and stands up to many chemicals.

Despite the fact that stainless steel surfaces are generally non-tarnishing, they are not stain or rust proof. Stainless steel must be kept clean and free from contaminants. Frequent cleaning with mild soap and water or glass cleaner and a cotton cloth is required. Any discoloration or corrosion (commonly caused by contact with harsh cleaner, muriatic acid or bleach solutions) should be removed as soon as possible or permanent discoloration and pitting of the surface could occur. Most discoloration can be removed with a mild cleanser or stainless steel cleaner and a Scotchbrite® pad. The surface should then be thoroughly rinsed with clear water. With proper maintenance, stainless steel will maintain its luster and appearance indefinitely.



MIRRORS

Bradley mirrors are fabricated from heavy-gauge stainless steel frames and plate glass or an alternative reflective surface. The frame can be cared for by following the general stainless steel maintenance instructions above. Reflective surfaces can be cleaned with any standard non-abrasive glass cleaner and a soft cloth. Care must be taken to avoid allowing the cleaner to run down the surface of the mirror and collect in the frame. If allowed to continue, this could lead to premature silver spoilage and spotting on stainless steel.



SOAP DISPENSERS

Bradley soap dispensers provide dependable, consistent operation over the long term when the proper soap is used and when a minimal amount of periodic maintenance is performed on the valves. Soaps satisfying these basic guidelines will provide consistent flow and reduce clogs.

Soap thickness is determined by a measurement called viscosity. Soap viscosity should be between 100 cps (centerpoise) and 2500 cps for all Bradley soap dispensers. The pH (acid) level of soaps that will perform consistently should be in the range of 6.5 to 8.5. More acidic soaps (pH levels lower than 6.5) will corrode metal parts (even stainless steel) and degrade rubber and plastic components. Most inexpensive soaps (typically the pink lotion type) fall into this acidic category and will eventually cause valve failure and metal corrosion. PCMX or Isopropanol-based antibacterial soaps (within viscosity and pH limits) will also work with Bradley dispensers.

Valves must also be maintained (cleaned) to function properly. At the very minimum, hot water should be pumped through valves periodically to clear out soap residue. Ideally valves should occasionally be soaked for 30 minutes in hot water or a soap valve cleaning solution. With proper maintenance and soap, Bradley dispensers will provide long-term, trouble-free operation.

INDEX

155	20	377	26	760	55	1471	20
175	97	377-36	27	780	51	1981	20
198	20	377-3637	27	781	51	1985	20
2A00	28	377-37	26	782	53	2017	36
2A01	28	377-3738	27	790	55	2027	36
2A02	28	377-38	27	812	8	2037	36
2A09	28	4A00	70	817	8	2251	37
2A10-11	29	4A10-11	70	832	8	2252	37
2A05	35	4A11	70	837	8	2271	38
2A15-36	35	4A20	73	852	8	2277	38
2A25-36	35	401	73	857	8	2291	39
2A95-36	35	407	73	900	89	2297	39
225	37	5A00	56	901	90	2441	29
227	38	5A10	56	901-60	90	2442	30
229	39	5A20	56	907	87	2447	30
234	40	5A40-11	69	908	87	2479	31
234-35	40	505	57	911	92	2482-11	31
234-36	40	508	59	912	92	2483	31
234-65	40	508-32	59	914	92	2484	32
235	40	515	63	915	92	2494	32
236	40	522	57	917	91	2495	32
237	41	523	59	921	90	2496	33
237-35	41	582	69	921-60	90	2497	33
237-36	41	583	69	924	87	2901-2873	19
237-65	41	584	69	926	87	2901-2874	19
238	41	591	65	927	88	2902-280000	19
244	29	592	66	931	91	2902-287300	19
247	30	594	67	932	92	2902-287400	19
250-15	33	6A00-11	46	934	93	2903-280000	19
251-15	34	6A01-11	46	940	89	2904-280000	19
252	34	643	47	947	93	2905-287300	19
259	34	644	47	953	79	2921-H000	18
270	41	646	47	953-4	79	2922-2873	18
3A05	22	648	48	954	75	2922-2874	18
3A15-11	22	650	49	957	77	2923-287400	18
315-35	24	655	49	958	77	2923-28S000	18
334	24	657	49	962	74	2923-28W000	18
344	24	658-30	50	962-11	74	3157	23
344-35	24	661	50	963	74	3251	23
344-65	24	661-73	50	964	74	3257	23
346	25	661	50	987	90	3565	26
355	25	662-73	50	987-11	90	4017	73
355-35	25	740	52	987-36	90	4721-15	71
355-65	25	747	53	987-78	90	4722-1015	72
356	25	747F	53	989	96	4722-15	72
356-35	25	748	54	989-11	96	4731-15	72
357	26	755	54	990	96	4737	72
357-35	26	756	54	990-11	96	4781-11	70
369-11	22	758	54	991	95	4791-11	70

5053	57	6437	47	9301	88	9953	94
5054	58	6437-37	47	9311	91	9954	94
5061	57	6481	48	9314	91	9955	94
5071	58	6501	49	9315	91	9983	95
5084	59	6531	47	9334	93	9984	95
5085	59	6542	48	9335	93	9985	95
5102	62	6542-73	48	9352	89	9986	95
5103	62	6543	46	9353	89	AC ADAPTOR	44
5104	62	6562	48	9362	89	P10-636	20
5105	62	6562-73	48	9363	89	P10-696	27
5106	60	6563	46	9401	89	P15-025	26
5107	60	6583	50	9402	89	P15-098	27
5123	62	6843	45	9403	89	P15-195	27
5124	63	7405	52	9495	93	SA01	84
5125	63	7481	54	9522	79	SA03	84
5126	60	7510	55	9530-60	78	SA05	84
5127	63	7512	55	9530-72	78	SA09	85
5224	58	7805	51	9531	79	SA10	85
5234	59	7815	52	9531-4	79	SA11	85
5235	59	8170-158	14	9533	78	SA12	86
5241	58	8170-1581	14	9535	78	SA13	86
5262	60	8320-106360	15	9536	78	SA14	86
5263	60	8320-106420	15	9537	78	SA15	86
5402	61	8370-107	14	9538	79	SA16	85
5412	64	8370-108	14	9538-4	79	SA30	80
5422	64	9014	89	9539	79	SA31	80
5424	61	9015	89	9539-4	79	SA32	80
5425	61	9044	87	9540	78	SA33	80
5426-11	60	9045	87	9541	75	SA35	80
5831	69	9054	87	9562	75	SA36	80
5847	69	9055	87	9569	75	SA37	81
5911	65	9065	88	9571	77	SA38	81
5912	66	9066	88	9591	76	SA39	81
5921	66	9094	88	9592	76	SA41	81
5922	67	9095	88	9593	76	SA47	82
5932	67	9104	88	9594	77	SA49	82
5941	68	9104-90	88	9631	74	SA50	83
5942	68	9105	88	9632	74	SA51	83
5951	65	9105-90	88	9661	97	SA52	83
5952	65	9111	90	9663	97	SA53	83
6315	44	9114	91	9664	97	SA54	83
6315-KT0000	44	9115	91	9813	96	SA55	84
6322	44	9118	92	9905	96	SA56	84
6322-68	44	9119	92	9933	94	SA70	82
6324	44	9124	91	9934	94	THEFT-RESISTANT	
6324-68	44	9125	91	9943	94	SPINDLE (-52)	58
6326	45	9134	93	9944	94		
6326-68	45	9135	93	9945	94		
6334	45	9164	93	9946	94		



Commercial Washrooms. Brought to Life.
HANDWASHING & DRYING | ACCESSORIES | PARTITIONS | LOCKERS

bradleycorp.com
800 BRADLEY +1 262 251 6000
W142 N9101 Fountain Boulevard
Menomonee Falls, WI USA 53051

3767-3-0220