



TURN◆KEY | Quick-Assembly Glass Wall Cladding System

BENDHEIM

BENDHEIM TURNKEY

Quick-Assembly Interior Glass Wall Cladding Built to Last the Lifetime of Your Interior

In today's dynamic mobile world, why should your elegant glass be permanently stuck? Install it with speed & ease using the patented TurnKey™ clip-in system. It is a budget-friendly solution for opaque & backlit walls alike. Panels can be replaced quickly and effortlessly without damaging the wall behind – great for donor walls, as well as brand color and graphic updates:

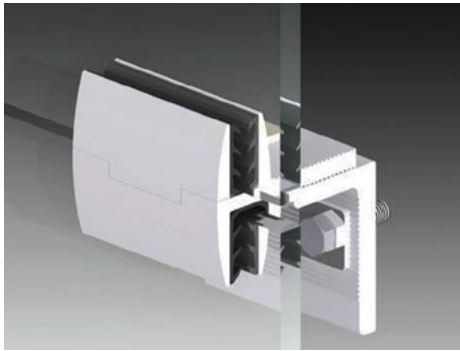
- Allows the use of transparent & translucent glass types for backlighting applications
- Adds a dynamic quality & dimensionality to walls with any glass type
- The clip-in system is very forgiving and adjusts easily on site
- Fast, easy, inexpensive to install and maintain



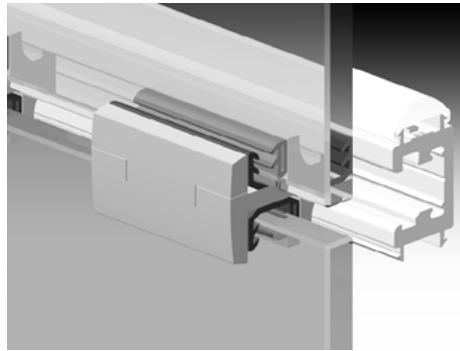
Advantages

- ◆ New ultra-petite fitting design – smaller than traditional standoffs
- ◆ Reliable mechanical fittings – no dependence on adhesives
- ◆ Fittings & channels available in any RAL color
- ◆ Allows installers much greater tolerances, speeding installation & minimizing labor costs
- ◆ Patented quick-assembly: the fastest, most user-friendly interior glass cladding system to install & maintain
- ◆ Maintenance staff can easily replace panels to service systems behind the glass; special training or expertise not required
- ◆ Cost-effective integrated LED lighting available with translucent Bendheim glass options

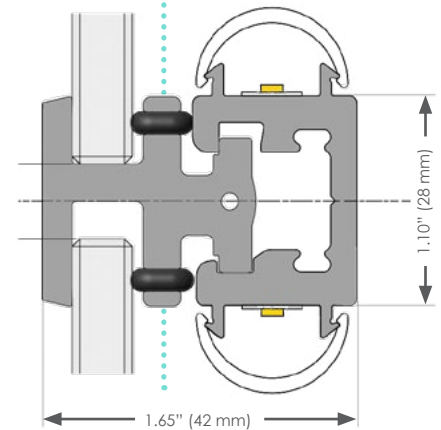
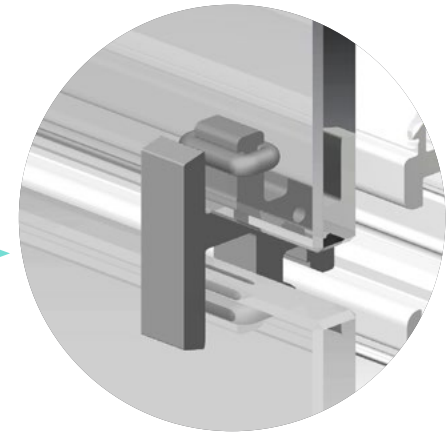
TurnKey™ Inspiration & Development



Wall-F rainscreen system, used indoors, adds depth, dimensionality & dynamic reflections to walls, creating a kinetic quality



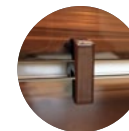
R&D efforts to miniaturize the Wall-F fitting for interiors produced several successful prototypes & the low-profile TurnKey™ channel



Principal Financial Group HQ, Des Moines, IA by OPN Architects

Applications

- Lobbies, feature walls, donor walls, writable wall claddings
- Floor-to-ceiling glass walls install with ease, even when floor plans are constricted or elevators & doorways are narrow
- Cost-effective backlit feature walls through the integrated LED option
- Mix and match panel sizes & glass styles to create Mondrian-type walls
- Orient panels vertically or horizontally
- Use custom shapes as highlights or to create unique wall geometries



Virtually Limitless Decorative Glass Options

Select from hundreds of in-stock safety tempered & laminated* Bendheim glass varieties – in a range of colors, patterns, and finishes – or collaborate with our design consultants to create one of the custom solutions Bendheim has become known for since our founding in 1927:

Back-Painted Glass



Unlimited colors with precision spectrometer matching & best-in-industry, third-party-tested, baked-in coatings

Mirrored Glass



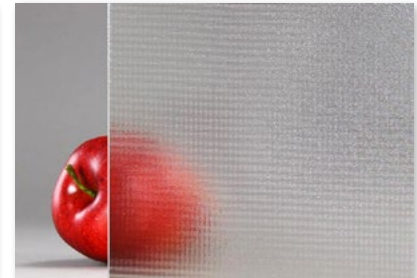
Variety of in-stock colors & finishes, including antique mirrors; amplifies light; creates a sense of openness

Etched Glass



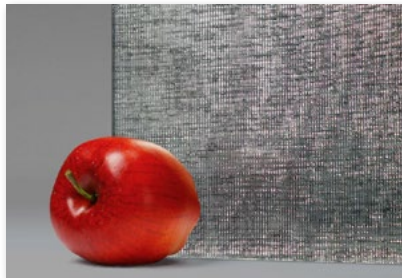
Light-diffusing surfaces & patterns, superior to particle-blasted glass & resistant to permanent stains

Textured Glass



Largest selection of in-stock designs; light-diffusing textures are ideal for backlighting applications

Decorative Laminated Glass



Tremendous design flexibility with a wide range of interlayer types, designs & lamination methods

Artisanal Mouth-Blown Glass



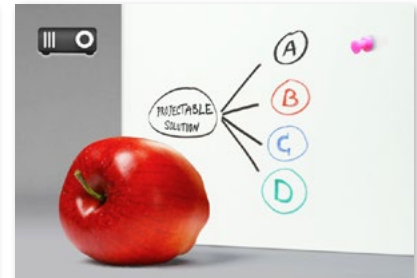
Humanizing hand-made aesthetic in a collection of over 500 in-stock colors & designs

Digitally Printed Glass



Offers the greatest design flexibility: virtually unlimited custom patterns, images, colors, fades

Dry-Erase Marker Boards



Maintenance-friendly, non-ghosting glass boards; magnetic & projectable options available

* Bendheim safety tempered and/or laminated glass meets the requirements for ANSI Z97.1 and the Consumer Product Safety Commission CPSC 16FR Part 1201 – Safety Standard for Architectural Glazing Materials

Powder-Coated Metal Channels & Fittings

Available at no extra charge and with short lead times (5-6 weeks) in any RAL color:

- Match the color of the channels to the wall to maintain clean design lines behind any cladding, including transparent glass
- Specify the fittings in a color matching the glass for uniform appearance, or a contrasting color to add emphasis
- Fittings & channels designed & produced in collaboration with Längle of Austria

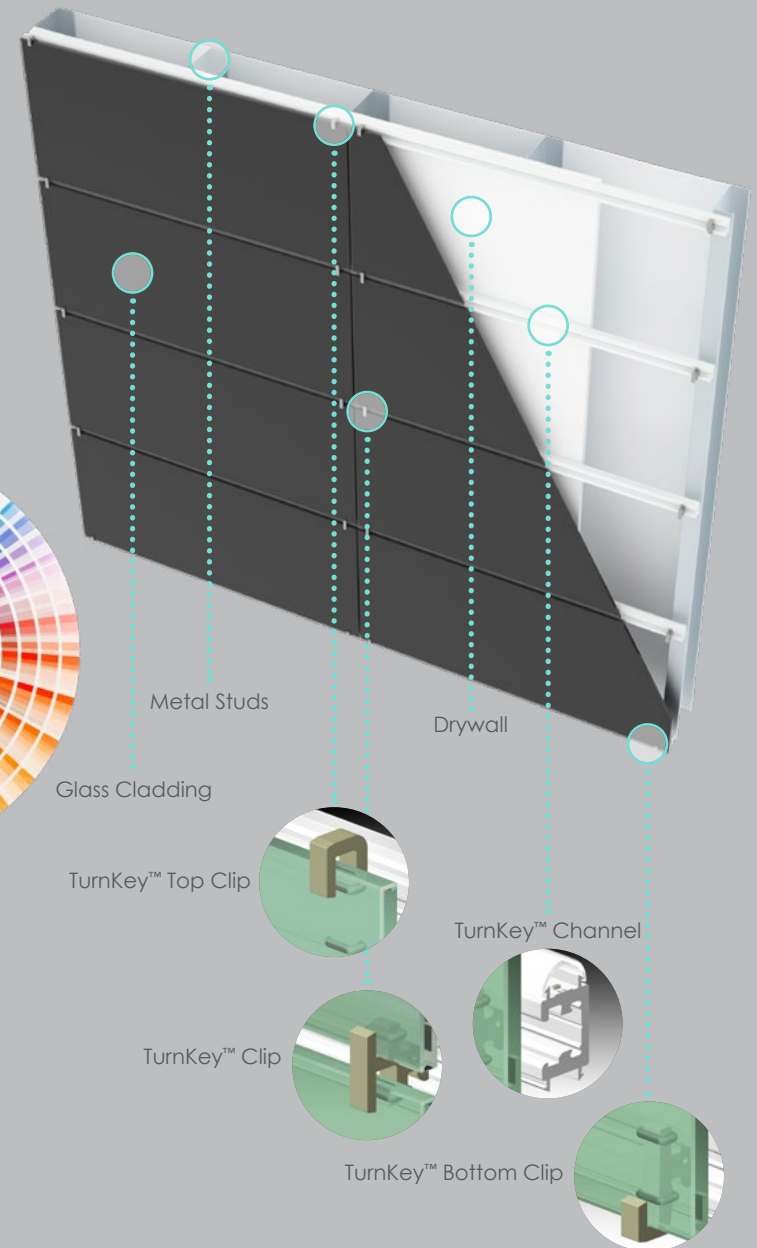
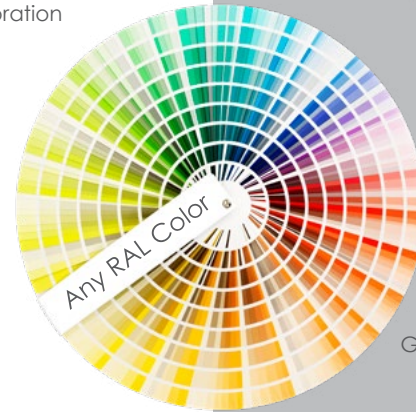
Warranty

- 20 years on the patented channel extrusions & clips
- 10 years on Bendheim's tempered or laminated architectural glass

Specification & Design

Our expert design consultants and technical team provide meaningful specification assistance:

- Material selection
- Custom design
- Spec writing
- Detail drawings



How Our TurnKey™ Glass Is Made | Artisanal Glass Video



<https://youtu.be/RujNjGYxGc>

Mouth-blown architectural glass is the utmost expression of luxury and refinement. Each piece is handcrafted by the skilled glass masters at Glashütte Lamberts of Germany, using centuries-old traditional methods. Glass features the mild waviness and occasional air bubble characteristic of authentic hand-made glass.

Lamberts®
Blue-and-
White Streaky
Mouth-Blown
Glass



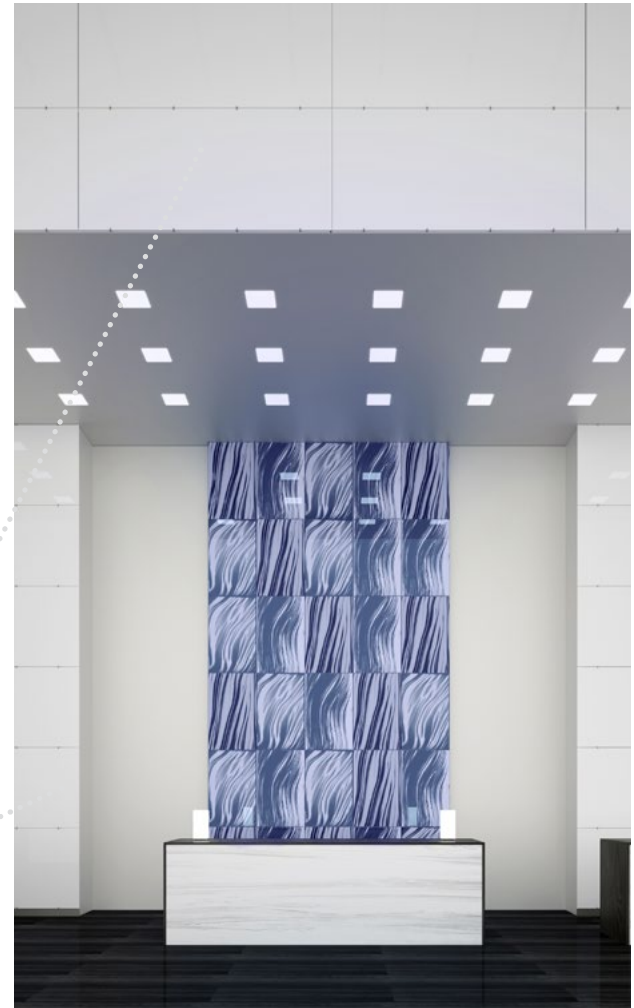
How Our TurnKey™ Glass Is Made | Back-Painted Glass Video



<https://youtu.be/RVZNtgv-qK4>

See how Bendheim's back-painted glass is made! Our proprietary HardShell® color coatings are specifically formulated for non-porous glass surfaces and are baked on for superior quality and durability. They are available in a virtually unlimited range of colors and can be applied to any type of glass – fire-polished, matte, or textured.

Ultra-White
Back-Painted
Glass Panels





© 2017 S.A. Bendheim Ltd.

BENDHEIM

TRADE SHOWROOM
200 Lexington Avenue
New York, NY 10016

HQ & PLANT
82 Totowa Road
Wayne, NJ 07470

T: 800.221.7379
info@bendheim.com
www.Bendheim.com