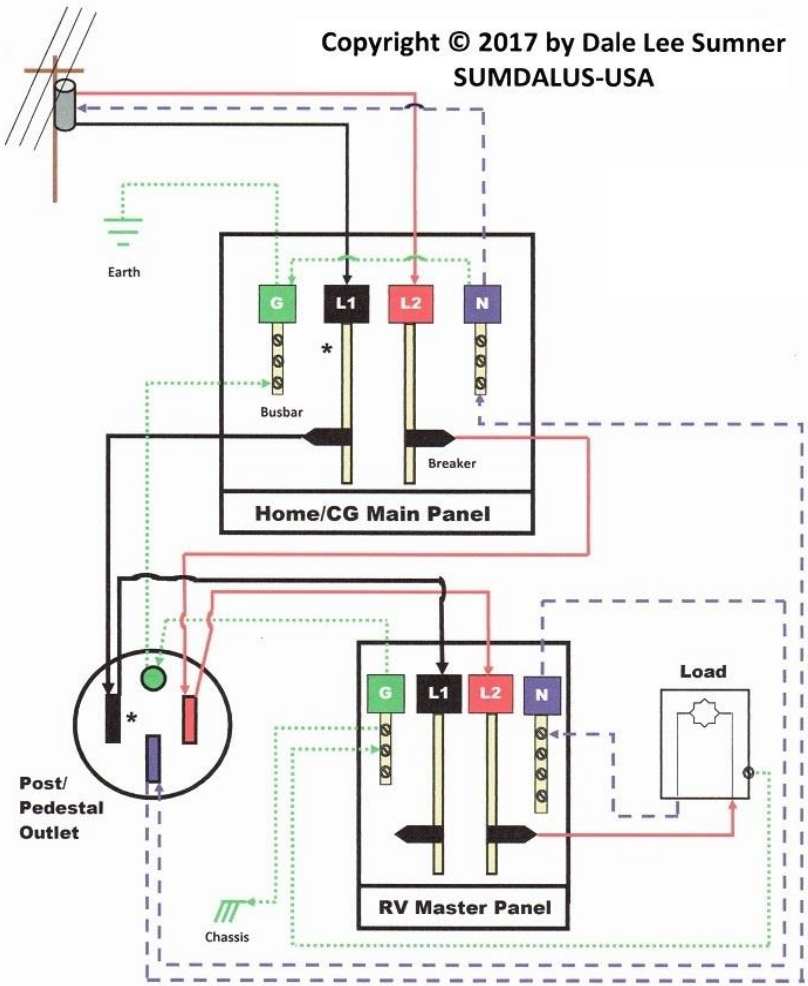


WARNING: When you plug your power cord into any outlet, be it at your home, at a campground's post/pedestal, or any place else, the RV's Master Panel immediately becomes a sub-panel to the House/Campground System! This means you CANNOT connect Ground and Neutral wires to the same busbar inside an RV. Why? Because if an Open Ground condition exists at the post/pedestal, there is no direct Ground Connection to Earth (only to the chassis). Consequently, combining Neutral and Ground wires in an RV **WILL** result in a dangerous "Hot Skin" condition and possible electrocution!



* Ignore L1 Connection for a 30 Amp System