



*Owner's Manual*

**REXAIR® SELLS THE RAINBOW® TO ITS AUTHORIZED RAINBOW® DISTRIBUTORS FOR RESALE BY THOSE DISTRIBUTORS AND THEIR AGENTS SOLELY THROUGH IN-HOME DEMONSTRATIONS TO ULTIMATE USER-OWNERS. ANY OTHER SALE IS STRICTLY PROHIBITED. ANY PRODUCT PURCHASED IN ANY OTHER SALE IS NOT COVERED BY THE AUTHORIZED WARRANTIES.**

## **SERVICING INSTRUCTIONS**

**SERVICING OF DOUBLE-INSULATED APPLIANCE**--In a double-insulated appliance, two systems of insulation are provided instead of grounding. No grounding means is provided on a double-insulated appliance, nor should a means for grounding be added to the appliance. Servicing a double-insulated appliance requires extreme care and knowledge of the system and should be done only by qualified **Rainbow** service personnel. Replacement parts for a double-insulated appliance must be identical to the parts they replace. A double-insulated appliance is marked with the words "DOUBLE-INSULATION" or "DOUBLE-INSULATED." The Symbol (square within a square) may also be marked on the appliance.

Any servicing other than cleaning should be performed by an authorized **Rainbow** service representative.

Dear **Rainbow** Owner:

Welcome to the evergrowing **Rainbow** Family!

You have made a wise investment by purchasing your **Rainbow** product. Rexair, Inc. has established a proud heritage of selling through authorized distributors a superior product for over 60 years. The **Rainbow** product is sold in all 50 states and in over 70 countries.

Please feel free to call upon your local **Rainbow** distributor or Rexair, Inc., Troy, Michigan U.S.A. for any assistance, or visit Rexair's Web Site at:

<http://www.RainbowSystem.com>

### **Consumer Care Number**

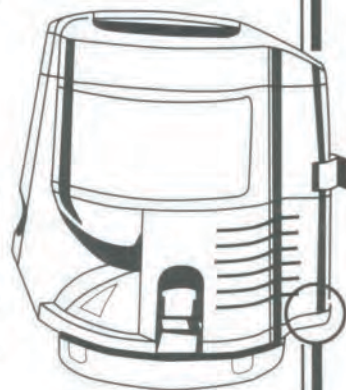
As part of Rexair's Consumer Care program, all new **Rainbows** receive a Consumer Care Serial Number after passing Quality Control testing at the factory. This serial number provides:

1. Ownership identification for you;
2. Warranty identification for your distributor;
3. Assurance of having cleared quality control;
4. Assurance of new "factory-fresh" condition.

For your protection, check to see that the serial number is on the **Rainbow** at the location shown on the accompanying diagram. No new **Rainbow** should be sold without this number. If the number is missing, Rexair makes no claim as to the origin, age, or condition of the unit. If you cannot find a serial number on your **Rainbow**, please call our customer service department at (248) 643-7222, or fax to (248) 643-7676.

For your protection, record the serial number in the space provided below. Save this information for future reference.

Serial No. \_\_\_\_\_



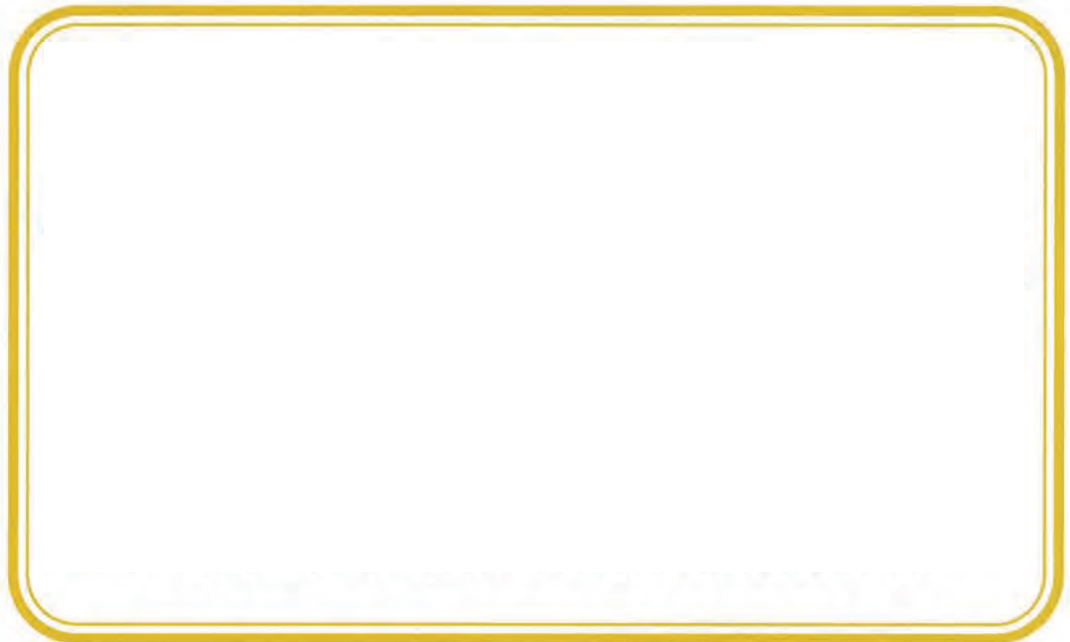
The  
***Rainbow***<sup>®</sup>  
CLEANING SYSTEM  
by  
**Rexair, Inc.**  
*Troy, Michigan U.S.A.*

Visit Rexair's Web Site at:  
<http://www.RainbowSystem.com>

The configuration of the **Rainbow**<sup>®</sup> Cleaning System and the words **Rainbow**<sup>®</sup>, **RainbowMate**<sup>®</sup> and **Rexair**<sup>®</sup> are registered trademarks of Rexair, Inc., Troy, Michigan U.S.A.

# TABLE OF CONTENTS

Message from Rexair	.....3
Parts Identification	.....4-5
Important Safety Instructions	.....6
Wet Pick-up Instructions	.....7
Proper Care of the <b>Rainbow</b>	.....7
Operation and Care	.....8
Care and Cleaning of the <b>e SERIES™</b> Hose	.....9
Dusting Brush and Upholstery Too	.....10
Inflator Tool and Air Flow Adaptor	.....11
Additional Uses for the <b>Rainbow</b> Cleaner	.....12
Floor and Wall Brush	.....12
Crevice Tool	.....12
<b>Rainbow</b> Cord Caddy	..12
Attachment Caddy	.....13
Deodorizing and Aromatizing Instructions	.13
Hepa Neutralizer	.....14
Optional Equipment and Supplies	.....15-16
Operations Checklist	.....Inside Back Cover





# MESSAGE FROM REXAIR



## Rexair, Inc.

REXAIR, INC. sells the **Rainbow** Cleaner only to independent Authorized Distributors who are experienced in direct in-the-home selling. Since Rexair does not market its product through national advertising, awareness of the product is created by the individual efforts of thousands of direct selling "dealers," who, by means of in-home demonstrations create interest in the **Rainbow** Cleaner in their local communities. The independent Authorized Distributors with whom those dealers are affiliated assume the responsibility for the legitimate distribution and service of the **Rainbow** Cleaner directly through their own dealers, or indirectly through independent subdistributors and their dealers.

Rexair provides to its Authorized Distributors, and only to them, a written four-year warranty on its Vacuum cleaner and attached accessories and an eight-year warranty on the vacuum cleaner motor. These warranties do not cover normal wear-and-tear arising from usage of the products. Even though Rexair, as the manufacturer, does not deal directly with the consumer nor provide the consumer with a written warranty, the law imposes certain responsibilities on all manufacturers who make consumer products. The products must not be defective and must be generally fit for their intended uses. These implied warranties of merchantability and fitness are honored by Rexair. Further, Rexair requires each Authorized Distributor to pass through to the consumer, by way of the Authorized Distributor's own written warranty, the benefit of Rexair's warranty to such Distributor.

Rexair further requires that each Authorized Distributor make prompt and workmanlike service available through its own service outlets or through responsible independent service outlets in those communities in which it sells Rexair products through its independent subdistributors and dealers.

Do not lose the name and address of the Dealer or Distributor from whom you bought the **Rainbow** Cleaner. Contact him or her for advice on caring for your **Rainbow**, warranty coverage, service, and the nearest service outlet.

Rexair is highly selective regarding those it appoints as its direct customers, the Authorized Distributors. However, Rexair has no agreement or legal relationship with the independent resellers who acquire products directly or indirectly from an Authorized Distributor, and can only attempt to correct any customer complaints about such resellers by acting through the responsible Authorized Distributor. Rexair's announced policy is to hold each Authorized Distributor responsible for remedying the results of any statement or action by any of the independent resellers that may result in a complaint from any member of the buying public.

Should you have any problem or have any question regarding the above, you should first contact the Distributor or Dealer from whom you purchased your **Rainbow**. If you have any problem locating that person, contact Rexair's Customer Service Department at the address listed below, being sure that you include your **Rainbow's** Serial Number. They will immediately send you the name, address and phone number of the responsible Authorized Distributor for your area. If you feel you are not receiving proper assistance from the Authorized Distributor, please contact us immediately. All of our Authorized Distributors know their obligations.

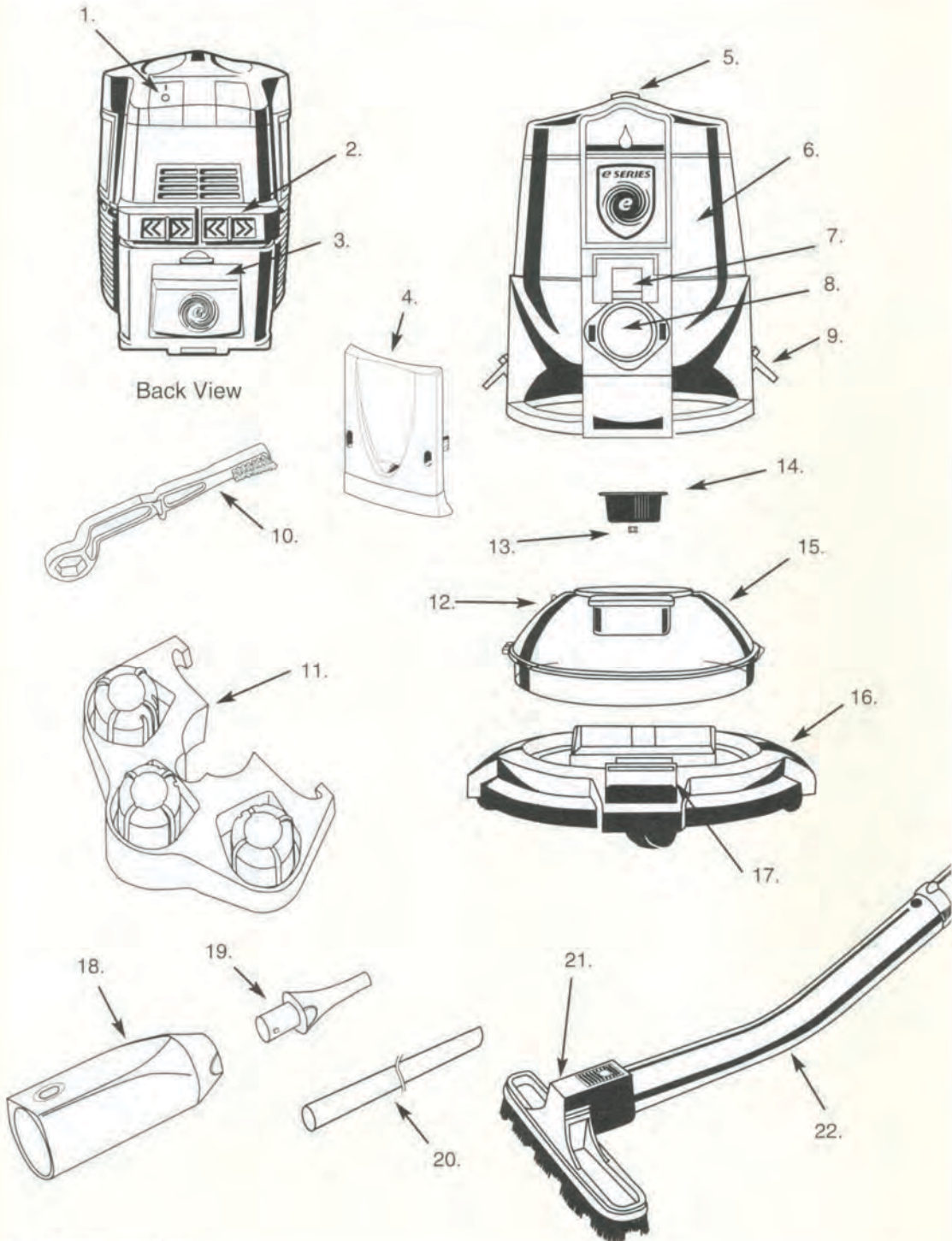
For any additional information or assistance write to:

Rexair, Inc., 3221 W. Big Beaver Road, Suite 200, Troy, Michigan 48084, U.S.A. (248) 643-7222 or fax to (248) 643-7676. You can visit Rexair's Web Site at:

<http://www.RainbowSystem.com>

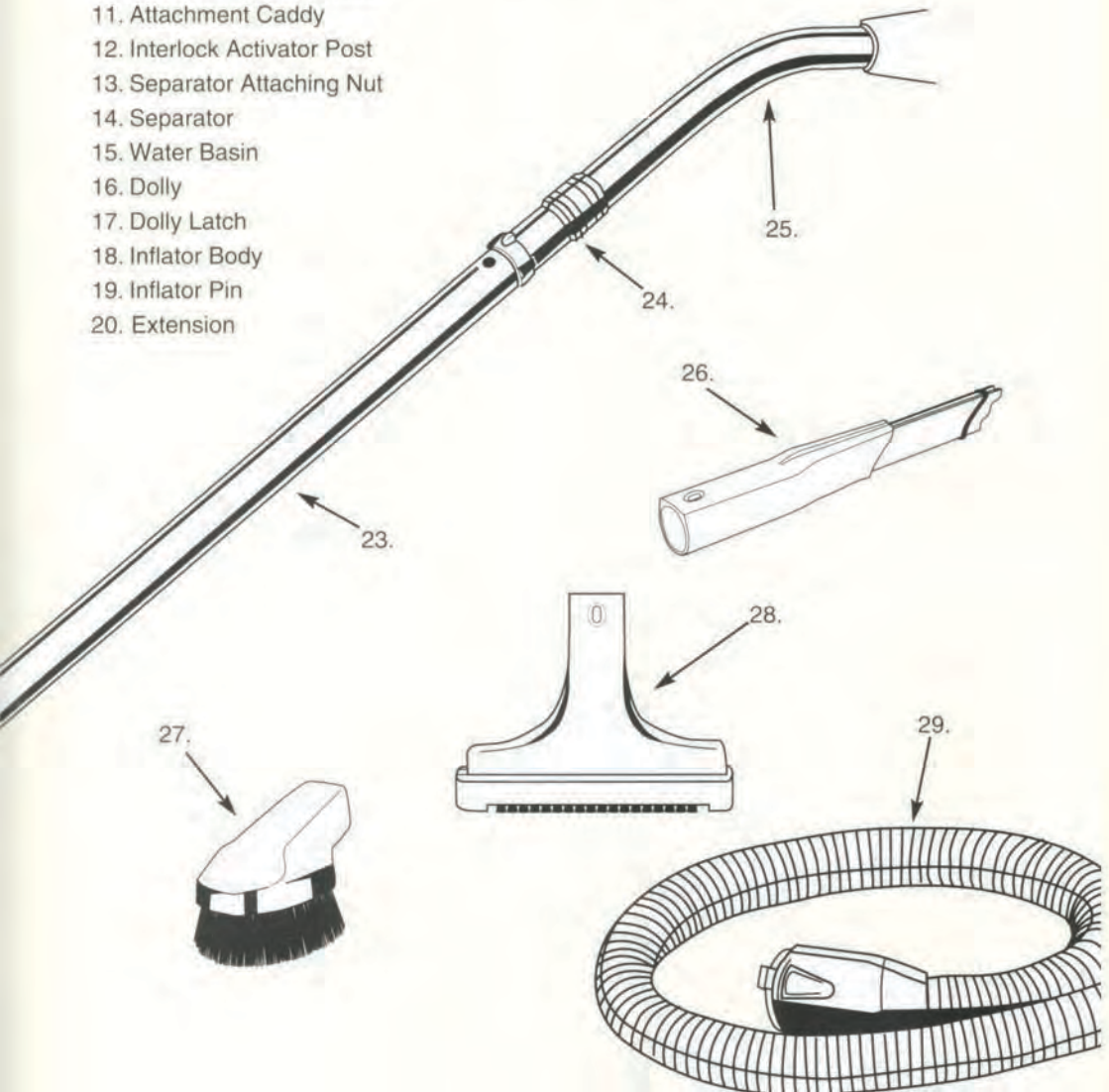
**REXAIR SELLS THE RAINBOW TO ITS AUTHORIZED RAINBOW DISTRIBUTORS FOR RESALE BY THOSE DISTRIBUTORS AND THEIR AGENTS SOLELY THROUGH IN-HOME DEMONSTRATIONS TO ULTIMATE USER-OWNERS. ANY OTHER SALE IS STRICTLY PROHIBITED. ANY PRODUCT PURCHASED IN ANY OTHER SALE IS NOT COVERED BY THE AUTHORIZED WARRANTIES.**

# PARTS IDENTIFICATION





- |                                 |                            |
|---------------------------------|----------------------------|
| 1. Power Switch                 | 21. Floor and Wall Brush   |
| 2. Cord Caddy                   | 22. Bottom Curved Wand     |
| 3. Exhaust Vent                 | 23. Straight Wand          |
| 4. Air Flow Adaptor             | 24. Airflow Control Sleeve |
| 5. Handle                       | 25. Curved Wand Handle     |
| 6. Power Unit                   | 26. Crevice Tool           |
| 7. Power Nozzle Receptacle/Door | 27. Dusting Brush          |
| 8. Air Inlet Opening            | 28. Upholstery Tool        |
| 9. Water Basin Latches          | 29. e SERIES™ Hose         |
| 10. Separator Brush/Wrench      |                            |
| 11. Attachment Caddy            |                            |
| 12. Interlock Activator Post    |                            |
| 13. Separator Attaching Nut     |                            |
| 14. Separator                   |                            |
| 15. Water Basin                 |                            |
| 16. Dolly                       |                            |
| 17. Dolly Latch                 |                            |
| 18. Inflator Body               |                            |
| 19. Inflator Pin                |                            |
| 20. Extension                   |                            |



# IMPORTANT SAFETY INSTRUCTIONS

**Please read all instructions carefully before using unit** Use your **Rainbow** only for its intended use as described in the instructions. The use of attachments not recommended by Rexair may cause hazards

**WARNING** To reduce the risk of fire, electric shock, or injury, when using an electrical appliance, basic precautions should always be followed, including the following

- 1 Close supervision is necessary when any appliance is used by or near children. Do not allow your **Rainbow** to be used as a toy or to run unsupervised at any time.
- 2 Unplug the **Rainbow** when not in use. Turn it off at the master switch before unplugging. Grasp the plug to disconnect it from the wall outlet to avoid damage to cord, plug, prongs, or receptacle. Do not pull or carry by cord, use cord as a handle, close a door on cord, pull or carry around sharp edges or corners. Do not run appliance over cord. Keep cord away from heated surfaces. Do not use with damaged cord or plug.
- 3 Do not leave appliance when plugged in. Unplug **Rainbow** from outlet when unattended and before servicing.
- 4 If your **Rainbow** is in disrepair, do not attempt to operate. If **Rainbow** is not working properly, has been dropped, damaged, left outdoors, or dropped into water, return it to your **Rainbow** Distributor.
- 5 Do not clean the unit or unclog the hose until the **Rainbow** is switched off and the plug is removed from the wall outlet.
- 6 Do not connect to the receptacle of an incandescent light fixture or use any extension cords.
- 7 Do not use the **Rainbow** to unplug drains. If sewer gas is drawn into the **Rainbow**, it could cause an explosion.
- 8 Never touch a metal sink, cold or hot water pipe with one hand while touching the metal parts of any electrical appliance, light fixture or switch with the other hand. Your body could complete an electrical circuit to the ground. Additionally, wet skin surfaces can greatly increase this hazard. Do not handle plug or appliance with wet hands.
- 9 (a) Do not put any objects into openings. Do not use with any openings blocked; Keep free of dust, lint, hair, and anything that may reduce airflow; (b) Keep hair, loose clothing, fingers, and all parts of the body away from openings and moving parts; (c) Use extra care when cleaning on stairs.
- 10 Do not pick up anything that is burning or smoking, such as cigarettes, matches or hot ashes; Do not use to pick up flammable or combustible liquids, such as gasoline, or use in areas where they may be present.
- 11 This appliance is provided with double insulation. Use only identical replacement parts. See instructions for Servicing of Double-Insulated appliances.
- 12 Always follow these **IMPORTANT SAFETY INSTRUCTIONS**.
- 13 The **Rainbow** is equipped with an interlock switch that prevents the unit from operating if the water basin is not properly latched. **DO NOT ATTEMPT TO OVERRIDE THIS SAFETY FEATURE.**
- 14 **WARNING** To avoid risk of electrical shock, **NEVER** use the electrified hose (supplied with the Power Nozzle) to pick up water or any other fluids. Use **ONLY** the e SERIES™ Hose for wet pick-up operations. Refer to page 9 for illustrations and descriptions of each hose.  
**WARNING: TO REDUCE THE RISK OF ELECTRICAL SHOCK - USE INDOORS ONLY.**
- 15 To reduce the risk of electric shock, this appliance has a polarized plug (one blade is wider than the other). This plug will fit in a polarized outlet only one way. If the plug does not fit fully in the outlet, reverse the plug. If it still does not fit, contact a qualified electrician to install the proper outlet. Do not change the plug in any way.

**SAVE THESE INSTRUCTIONS!**



# WET PICK-UP INSTRUCTIONS



## When using the Rainbow for wet pick-up, follow directions exactly:

1. Start with an empty basin and **NEVER** let the water level in the basin get above the water-level dome. This will cause the **Rainbow** to vibrate or shake.
2. Do not use when your hands are wet or with bare or wet feet.
3. Do not stand in water when using the **Rainbow** for wet pick-up. However, if in order to pick up water you find it necessary to stand on a wet (damp) floor, be absolutely certain you do not touch the metal parts of any electrical appliance, light fixture or switch.
4. Never use for wet pick-up outside, on the ground, in a basement, or in a room where a film of water can reach a ground.
5. Do not touch any metal parts of the **Rainbow** motor unit, such as the separator attaching nut, until you have first disconnected the electrical cord from the wall outlet.
6. The **Rainbow** unit is equipped with an automatic resettable thermal protector in the motor. During excessive overload conditions the motor may automatically shut off. If this condition occurs, switch the unit off and disconnect it from the wall outlet. Allow the unit to cool for an extended period of time and restart normally.

**WARNING:** To avoid risk of electrical shock, **NEVER** use the electrified hose (supplied with the Power Nozzle) to pick up water or any other fluids. Use **ONLY** the e SERIES™ Hose, supplied with the Rainbow, for wet pick-up operations. Refer to illustrations and descriptions of each hose on page 9.

## PROPER CARE FOR LONG LIFE OF THE RAINBOW®

**SEPARATOR** - Remove and clean the separator after each use. Remove separator (using a screwdriver or Separator brush/wrench - if necessary), clean inside and out with soap and water using the **Rainbow** Separator Brush, which is supplied. Clean and dry the flange under the separator. Dry and replace the separator. Tighten the nut finger-tight to hold the rim of the separator snug. Do not force the separator onto the threaded shaft.

**CAUTION - ALWAYS REPLACE THE SEPARATOR IMMEDIATELY AFTER CLEANING. DO NOT OPERATE WITHOUT THE SEPARATOR.**

**WATER** - Fill the water basin with cool water from a faucet until the top of the water-level dome located in the bottom-center of the basin is just covered. This is the correct amount of water for all **Rainbow** cleaning operations. **NEVER FILL BASIN ABOVE WATER-LEVEL DOME.** Do not clean too long with one filling of water. The water in the basin must remain liquid to effectively trap dust and dirt. Therefore, check water during cleaning; when the water becomes thick with lint and dirt, empty the water basin and refill with clean water.

**BASIN** - Remove **Rainbow** power unit from basin when not in operation. After each cleaning, the basin should be emptied, washed out thoroughly and dried. **Leave the Rainbow OFF basin while storing between each cleaning.**

Neglecting part or all of the above instructions will cause unnecessary trouble and expense for service. Following these instructions should give you years of trouble-free, efficient service.

**CAUTION:** The **Rainbow** water basin will not trap materials that are resistant to the wetting action of water, including oily or greasy compounds (such as soot or ashes) and powdery substances (such as ceramic, drywall or plaster dust). Do not use the **Rainbow** to pick up or in the vicinity of any volatile or toxic materials.

**USE THE RAINBOW ONLY AS DIRECTED IN THIS OWNER'S MANUAL!**

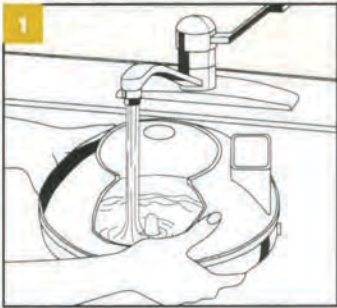
**-FOR HOUSEHOLD USE ONLY-**



# OPERATION AND CARE

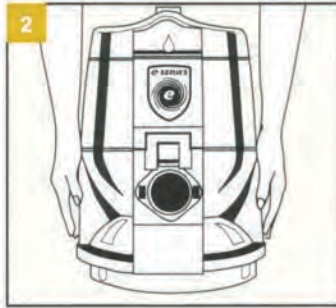
## 1 FILLING WATER BASIN:

Fill the water basin with cool water from a faucet until the top of the water-level dome located in the bottom-center of the basin is just covered. This is the correct amount of water for all **Rainbow** cleaning operations. **NEVER FILL BASIN ABOVE WATER-LEVEL DOME.** Do not clean too long with one filling of water. The water in the basin must remain liquid to effectively trap dust and dirt. Therefore, check water during cleaning; when the water becomes thick with lint and dirt, empty the water basin and refill with clean water. Add two capfuls of **Rainbow** Deodorizer Air Freshener to maximize freshening of the air while cleaning.

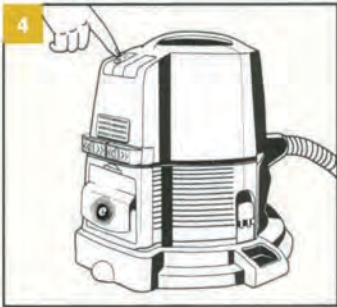


## 2 ATTACHING POWER UNIT TO WATER BASIN:

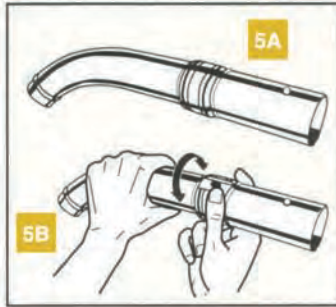
Attach power unit to the water basin by placing power unit over the basin so that the air intake opening of the basin is aligned with the air inlet opening in the power unit. Attach water basin latches on each side to secure the power unit. **NOTE: The power unit will not operate without the water basin in place.**



3 Insert hose coupling of **e SERIES™** Hose into the air intake until it clicks. To remove, press both latches and pull **e SERIES™** Hose from machine.

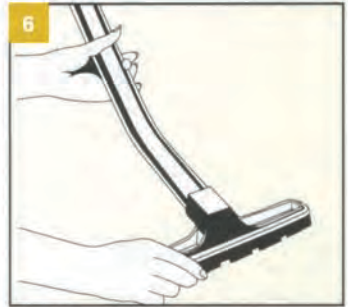


4 Connect electrical cord to wall outlet. Turn switch on top back to the "ON" position. When unit is "OFF," remove from basin until ready to use. The power switch is marked with an "I" for "ON" and an "O" for "OFF."



5A Adjust airflow control sleeve on top of curved wand. Close opening with airflow control sleeve for full power.

5B To reduce airflow, rotate airflow control sleeve so opening in curved wand is exposed. Adjust as needed for different cleaning jobs.



6 **CONNECTING WAND TO FLOOR AND WALL BRUSH:** Insert the end of the curved meta wand into the floor and wall brush. Align the button lock on the wand with the guide on the brush collar. Slide the button into the guide to engage the lock.

**Warning:** Because of the danger of shock, any electrical appliance should be used only as directed. There should be no unapproved use of any electrical product. Electrical leakage and shorts can occur wherever there is electricity. With any electrical appliance, if the user is not grounded there is generally no serious hazard. But if the user is standing on the ground, in a basement, or in a room where a film of water can reach a ground, severe shock could result. Therefore, use the **Rainbow** only as directed in this owner's manual. **Refer to the Important Safety Instructions Section on page 6** This, of course, is true of any use of electricity with electrical fixtures or appliances that can develop shorts.



# CARE AND CLEANING OF THE e SERIES™ HOSE



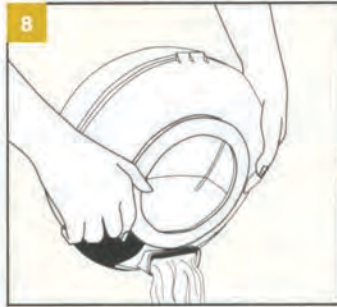
## 7 ASSEMBLE WANDS:

Connect straight wand and curved handle wand by aligning the button lock on the curved wand with the guide on the wand collar, and sliding together. Connect the straight wand and the bottom curved wand (with floor and wall tool attached) using the above steps. Push soft end of e SERIES™ Hose over raised ridge on curved handle wand with airflow sleeve until it "SNAPS" into place.



## 8 EMPTYING THE WATER BASIN

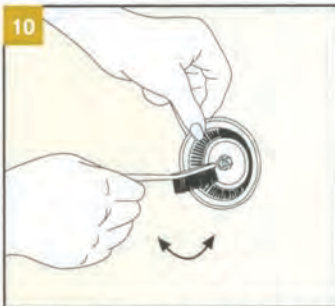
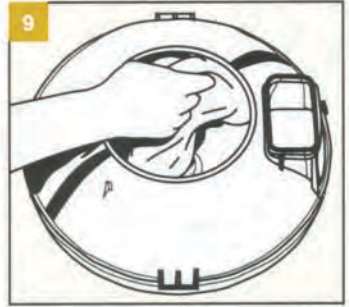
1) Release the two side latches. 2) Remove the power unit. 3) Pick up the water basin and pour out the dirty water through the air intake opening. The heavier particles in the water will settle to the bottom of the basin as the water is poured. 4) With water removed, now remove the remaining heavier debris and place it in a plastic bag or container for disposal.



## 9 CLEANING THE WATER BASIN:

Wash the water basin. Rinse and dry thoroughly.

**NOTE** Do not reattach to power unit until ready for next cleaning operation.



## 10 REMOVING AND CLEANING THE SEPARATOR:

Remove and clean the separator after each use. A special tool (combination brush and wrench) is stored on the underside of the power unit, next to the separator. If necessary, use the separator brush/wrench to loosen the brass nut holding the separator on the power shaft. To loosen the nut, hold the separator with one hand and turn the wrench counter-clockwise with the other.

**CAUTION-ALWAYS REPLACE THE SEPARATOR IMMEDIATELY AFTER CLEANING. (HAND TIGHTEN ONLY.) DO NOT OPERATE WITHOUT THE SEPARATOR.**

**CAUTION:** Always remove, empty and wash the water basin when cleaning job is finished. This helps to avoid odors, the growth of germs and bacteria and the development of water scum in the basin.

## THE e SERIES™ HOSE

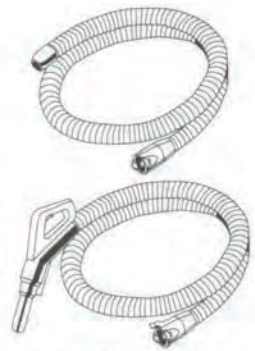
The e SERIES™ Hose is lightweight and truly flexible. The soft coupling at the end is easy on the hands and ensures a firm hold of the hose at all times. To clean or to clear an obstruction in this hose: remove the vented exhaust door and insert the coupling into the exhaust opening. Be sure both latches are fully engaged. Place the soft coupling at the other end of the hose into the air intake. Switch on the motor and jiggle the hose. Any dirt stuck in the hose will be trapped in the Rainbow's water basin.

### The e SERIES™ Hose

- Use for wet & dry pick-up.
- Supplied with the Rainbow

### The R-8077 Electrified Hose

- Use **ONLY** for dry pick-up. To avoid risk of electrical shock **NEVER** use to pick up water or any other fluids.
- Supplied with the Power Nozzle. For use with Power Nozzle and RainbowMate.





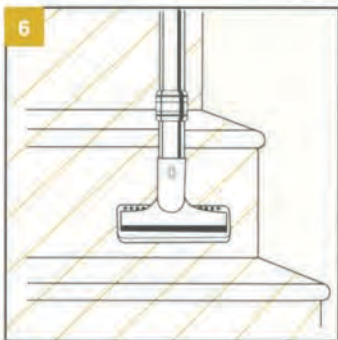
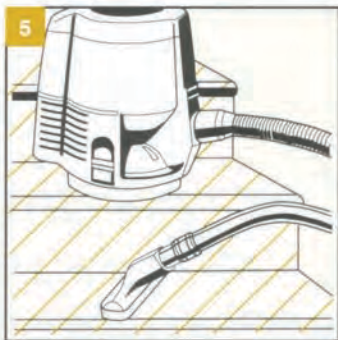
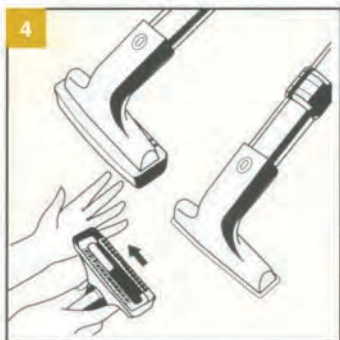
# DUSTING BRUSH AND UPHOLSTERY TOOL

## 1 2 THE RAINBOW DUSTING BRUSH:

The dusting brush is an excellent tool for special cleaning jobs. Just attach the brush to the straight wand or the curved handle wand, secure with the button lock, and it is ready to use. To avoid abrasions to delicate surfaces, keep dusting brush bristles clean, and test on a hidden or less visible area. After each use, remove dusting brush bristles from dusting brush body (see illustration) and clean in warm, soapy water. Allow to dry before replacing.

**REMINDER:** For delicate objects, airflow may be further reduced by using the airflow control sleeve on the handle.

3 Use it for cleaning dogs and cats. Dust, dirt, and loose hair are easily removed by the **Rainbow's** silent airflow. Frequent grooming cuts down on the need for baths, and your pets will enjoy it too.



## 4 CLEANING THE UPHOLSTERY TOOL:

To clean the upholstery tool jet brush, whisk it with the end of the hose while power unit is operating. It can also be cleaned by tapping the side of the tool with your hand, and sliding the brush head free. Once the brush head is free, wash it in warm, soapy water.

## 5 TO CLEAN STAIRS:

To clean stairs, operate at full airflow (airflow control sleeve closed). Remove from dolly and allow power unit to rest solidly on the stair above the one being cleaned. Move **Rainbow**, grasping by its handle, up one step at a time.

## 6 TO CLEAN RISERS:

To clean rug riser, turn tool one-half turn and use as illustrated.

REXAIR SELLS THE RAINBOW TO ITS AUTHORIZED RAINBOW DISTRIBUTORS FOR RESALE BY THOSE DISTRIBUTORS AND THEIR AGENTS SOLELY THROUGH IN-HOME DEMONSTRATIONS TO ULTIMATE USER-OWNERS. ANY OTHER SALE IS STRICTLY PROHIBITED. ANY PRODUCT PURCHASED IN ANY OTHER SALE IS NOT COVERED BY THE AUTHORIZED WARRANTIES.



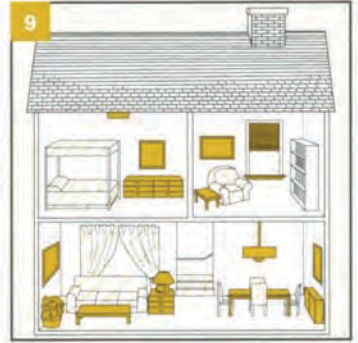
# INFLATOR TOOL AND AIR FLOW ADAPTOR



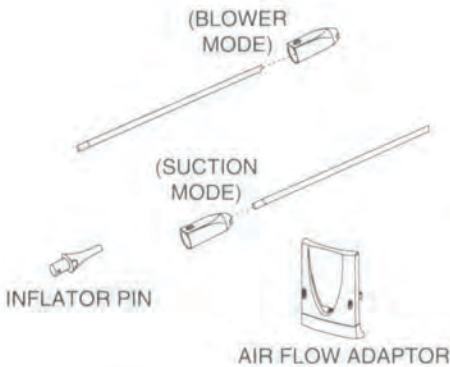
**7 CLEANING PLANTS:**  
Operate at reduced airflow (use a flow control sleeve) to gently brush plants to remove dust and dirt which can block light and hide the natural sheen of the foliage. (Use indoors only.)

**8 TO CLEAN CLOTHING:**  
When using jet brush to clean clothing and outer wear, including wool, fur coats and delicate fabrics, reduce airflow by adjusting airflow control sleeve.

**9** Use the **Rainbow** dusting brush for cleaning lighting fixtures, lamp shades, sound systems and VCR equipment picture frames, pianos, hats heating and cold air vents drawer interiors and screens. Use the **Rainbow** upholstery tool on sofas, chairs, mattresses, pillows, blankets closet shelves, drapes and curtains.



# INFLATOR TOOL AND AIR FLOW ADAPTOR



This unique **Rainbow** tool provides users with the added convenience of two specialized capabilities: air inflation and confined space cleaning.

The **Rainbow Inflator** is the ideal tool for conveniently inflating beach balls, inflatable toys and air mattresses.

The **Rainbow confined-space cleaner** is the ideal tool for cleaning hard-to-get-at areas like refrigerator coils, behind and under appliances, cabinets or furniture. Coil cleaner extension can be used in either suction or blower mode (see illustration).

The **Rainbow Air Flow Adaptor** is used to reduce air noise through the air inlet. It is recommended to use the adaptor when the **Rainbow** is used as a blower. Simply snap the air flow adaptor into the air inlet opening before using the **Rainbow** as a blower.

## INSTRUCTIONS FOR USE:

To use the **Rainbow Inflator**, open the **exhaust vent door** at the back of the **power unit**. Attach the **e SERIES™ Hose** to the exhaust opening. Attach **Rainbow curved handle wand** to the hose and the **Inflator** to the handle. Secure the connection with the **button lock**. The **Inflator Pin** is then inserted into the tool body (see illustration). Twist one-half turn counter-clockwise to lock pin in place. Insert the pin into the Inflator stem of the object to be inflated and turn on the power unit. Also, use the **Air Flow Adaptor** to reduce air noise, through the **air inlet opening**, during this operation.

**Warning:** Be sure Inflator Pin is properly locked in place. If not, it will be blown forcefully from the tool body.



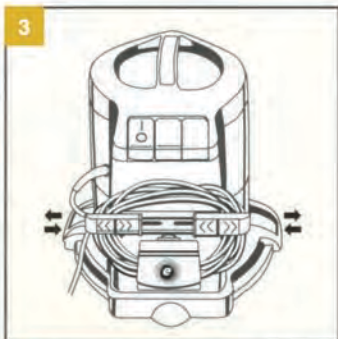
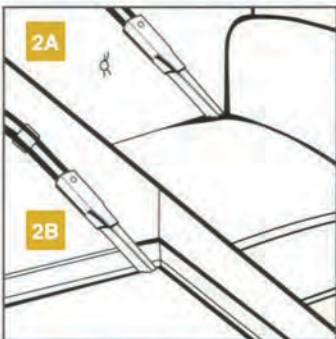
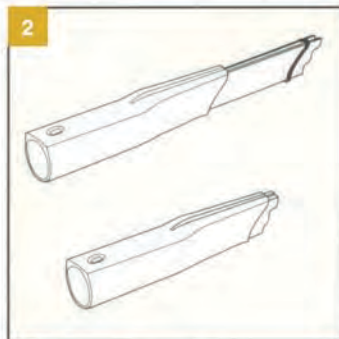
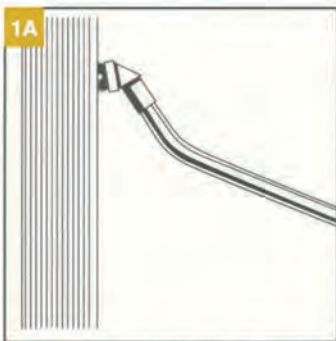
# ADDITIONAL USES FOR THE RAINBOW® CLEANER

## 1 FLOOR AND WALL BRUSH:

To clean hardwood floors, linoleum, tile, or walls, use the combination floor and wall brush. Attach the brush to the curved metal wand (See operation and care instructions). Use full airflow when cleaning floors.

**1A** When cleaning walls, best results are obtained when only the top edge of the brush is allowed to touch the wall and cleaning is done with a downward stroke. With a slight space between the wall and the bottom edge of the brush, dust is removed before the bristles touch it, thus avoiding streaks.

**1B** To clean the floor and wall brush, just whisk it clean with the open end of the hose, or remove furniture guard and snap off brush from holder. Wash brush in warm, soapy water and reassemble when dry. Beaded edge of guard should be up.



## 2 CREVICE TOOL:

The **Rainbow** crevice tool has a telescoping nozzle that makes it convenient to store. When in use, the nozzle should be fully extended in the "locked-out" position for maximum cleaning efficiency. The nozzle is fully extended when you hear it "click" into position. The crevice tool should be used at maximum airflow (airflow control sleeve fully closed).

**2A** Use the crevice tool to clean deep-down between furniture and cushions.

**2B** The crevice tool reaches those low areas along baseboards, under radiators, and between radiator sections.

## 3 RAINBOW CORD CADDY:

The **Rainbow** power cord attaches to the back of the power unit. Sliding holders and a stationary holder on the exhaust vent panel door are used to store the power cord. To use the power cord, simply retract the cord caddy holders using the finger grips (see illustration), and cord is then accessible.

**REXAIR SELLS THE RAINBOW TO ITS AUTHORIZED RAINBOW DISTRIBUTORS FOR RESALE BY THOSE DISTRIBUTORS AND THEIR AGENTS SOLELY THROUGH IN-HOME DEMONSTRATIONS TO ULTIMATE USER-OWNERS. ANY OTHER SALE IS STRICTLY PROHIBITED. ANY PRODUCT PURCHASED IN ANY OTHER SALE IS NOT COVERED BY THE AUTHORIZED WARRANTIES.**



#### 4 ATTACHMENT CADDY

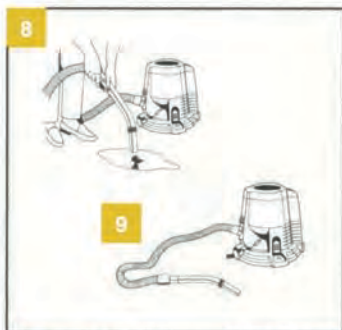
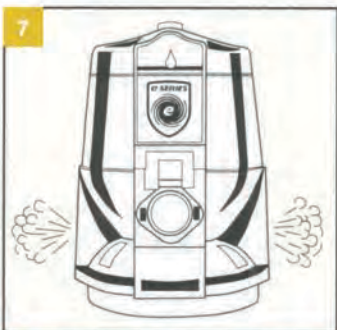
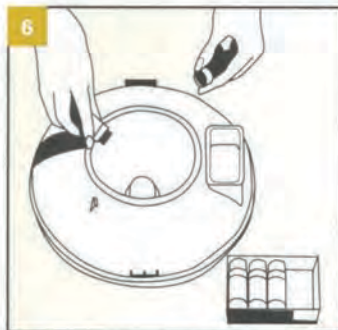
The attachment caddy is a one-piece unit that holds the dusting brush, upholstery tool and crevice tool. It attaches to the front of the power unit by slipping over the front of the housing into notches located on either side of the housing (see illustration). Pressing downward locks the caddy in place. Attachments are stored by slipping them over the posts on the caddy. Push in button lock to release attachment.

#### 4A ATTACHMENT CADDY (WANDS):

The attachment caddy can also be assembled to any wand end. Line up the tabs on wand end with the inside slots on the caddy. Press caddy onto wand until it locks onto the wand end. To remove: disassemble wands, and twist caddy off of wand from the front.

#### 5 PLACING POWER UNIT ON DOLLY:

Place power unit on dolly by tipping front end slightly upward so that the lip at the back of the unit slips under the lip at the rear of the dolly. Unit will then drop into place on the dolly. A foot latch at the front of the power unit locks unit in place. To remove, depress foot latch and lift unit from dolly by tipping slightly backward and pulling upward.



#### 6 TO AROMATIZE:

Put a few drops of any **Rainbow** fragrance in the **Rainbow** water basin. Assemble the **Rainbow** on the basin and turn on switch. In a matter of minutes, a pleasant fragrance will permeate the room while you clean.

**CAUTION:** Use only genuine **Rainbow** products. The use of nonapproved products may cause damage to your **Rainbow**. (See page 15 also.)

#### 7 TO DEODORIZE:

Add two capfuls of **Rainbow** Deodorizer Air Freshener to a basin of clean water filled to the water-level dome. Air exhaust at the sides and rear of the power unit quickly refreshes the air in the entire area while you clean. (See page 15 also.)

#### 8 TO USE YOUR RAINBOW FOR WET PICK-UP:

Refer to wet pick-up instructions on page 7. Follow these instructions carefully and **Never let water level get higher than the top of the water-level dome. Only use the e SERIES™ hose for wet pick-up.**

#### 9 AIR-DRY WANDS:

With hose connected to the **Rainbow**, run the machine for 15 minutes with the wand-end open to dry the inside of the wands to help prevent rusting.

# HEPA NEUTRALIZER

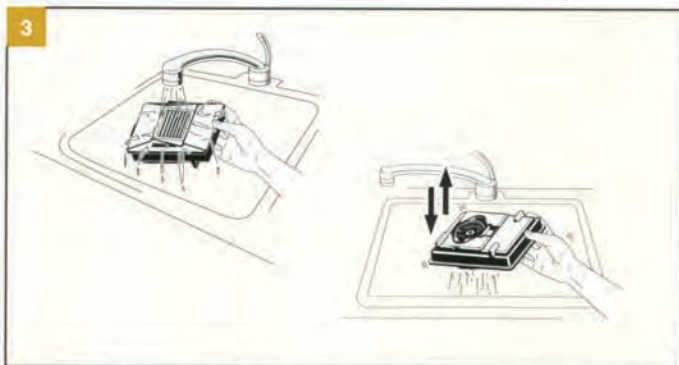
With the latest in sound reduction and micro filtration technology, the **Rainbow e SERIES™** runs cleaner and remarkably quieter. A built-in Hepa Neutralizer helps filter out the sound of the motor, as well as non-wettable material that may bypass our water-wash system. It is recommended to rinse the filter, if necessary, **after 24–36 months of typical household use**, or if a reduction of cleaning ability is noticed prior to that time. Refer to the rinsing instructions below.



**1** Remove the panel from the back of the machine by pressing up on the two latches on the underside of the rear panel. Move the bottom of the rear panel towards you, lifting it up.



**2** Remove the Hepa Neutralizer by pulling the top of the Hepa Neutralizer towards you and lifting it up.



## **3 RINSING THE HEPA NEUTRALIZER:**

- Place the dirty Hepa Neutralizer in the sink with the rectangular, louvered opening facing up.
- Fill the louvered opening in the Hepa Neutralizer with cool water from a faucet until water comes out the opening. Continue to let the water run over the Hepa Neutralizer for approximately one minute.

**NOTE: Do not use detergent or soap to wash the filter — Use clean water only.**

- Turn off the water supply. Turn the Hepa Neutralizer over and tap into the sink so that the water escapes from the louvered opening.
- Repeat steps b) and c) until no substantial amount of dirt is seen coming out of the Hepa Neutralizer. Shake the Hepa Neutralizer briskly, with louvered opening facing down, to remove any excess water.
- Reinstall the Hepa Neutralizer and rear panel by following the instructions in reverse order.

## **4 DRYING THE HEPA NEUTRALIZER:**

- Make sure the vent door is removed from the rear panel.
- With the water basin empty, set the **Rainbow** on the edge of a towel or other absorbent cloth, such that the vent door side of the **Rainbow** is facing the cloth or towel.
- Install the airflow adapter onto the front of the machine to dampen noise.
- Run the **Rainbow** for approximately 1/2-hour to thoroughly dry the Hepa Neutralizer.
- Excess water from the rinsing process may be emitted onto the towel or absorbent cloth during the first portion of the 1/2-hour drying time.
- After the Hepa Neutralizer is dry, replace the vent door.
- If cleaning ability is not adequately restored after the Hepa Neutralizer is dry, contact your Authorized Distributor.



# OPTIONAL EQUIPMENT AND SUPPLIES



## 1 4-QUART BASIN:

The **Rainbow** 4-Quart basin is available for those "bigger" cleaning jobs. The larger water basin fits the **Rainbow** dolly and doubles the cleaning capacity of the **Rainbow**. It's ideal for larger homes and "oversized" cleaning jobs.

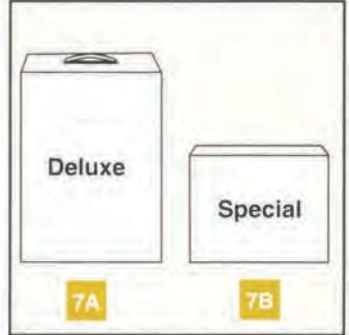
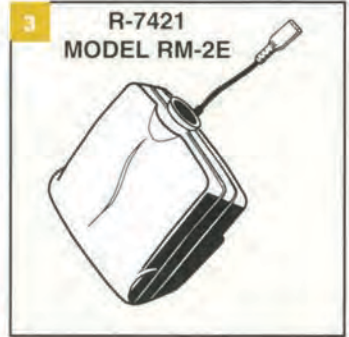
## 2 FLOOR SQUEEGEE:

The **Rainbow** Floor Squeegee allows you to deep-clean your linoleum and tile floors without getting your hands wet. Use with **Rainbow** Floor Cleaner Concentrate to clean your floors with a minimum of effort.

## 3 RAINBOWMATE:

For those hard to clean surfaces such as stairs and upholstery. **RainbowMate** has a motor driven brush for maximum cleaning performance. Requires Model R-8077 electrified hose (supplied with R-7422 Model PN-2E Power Nozzle) for operation.

**CONTACT YOUR LOCAL REGISTERED RAINBOW DISTRIBUTOR FOR INFORMATION ON THESE VALUABLE RAINBOW ACCESSORIES.**



## 4 RAINBOW FRAGRANCE PACK

Bring the sweet and refreshing smell of a spring garden into your home with the **Rainbow** Fragrance Pack. An assorted selection of fragrances will fill your home with the pleasant aroma of the great outdoors while you clean. Also available in a variety of four pack fragrances. Contact your registered Distributor.

## 5 RAINBOW DEODORIZER AIR FRESHENER:

Two capfuls of **Rainbow** Deodorizer Air Freshener added to the water in the **Rainbow** Water Basin alleviates objectionable household odors, such as fish, tobacco, cabbage, paint, etc. while you clean. One quart.

## 6 RAINBOW FLOOR CLEANER CONCENTRATE:

**Rainbow** Floor Cleaner Concentrate is ideal for thoroughly cleaning linoleum or tile floors. Just spread on **Floor Cleaner Concentrate** in recommended solution and let it do the work. One quart.

## 7A RAINBOW ACCESSORY PACKS

**Deluxe** Accessory Pack includes the following items: 4-Quart Basin, Floor Squeegee, **Rainbow** Spray Bag, Fragrance Pack, Aerofresh Bag, Deodorizer Air Freshener and Floor Cleaner Concentrate.

**7B** **Special** Accessory Pack includes **Rainbow** Spray Bag, Fragrance Pack, Aerofresh Bag, and Deodorizer Air Freshener.



# OPTIONAL EQUIPMENT AND SUPPLIES

## 8 SPRAYER ASSEMBLY:

The **Rainbow Sprayer Assembly (8A)** attaches to your **Rainbow** wands and is used to spray insecticides, moth-proofing solutions, etc. It can also be used with liquid fertilizers or plain water on your houseplants. To use the Sprayer, simply fit it onto your **Rainbow** curved handle wand and **(8B)** connect the hose to the air exhaust on your **Rainbow**.

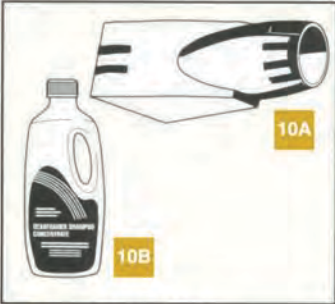
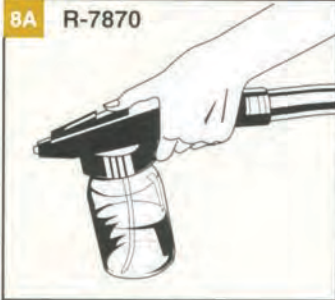


## 9 AEROFRESH BAG:

This handy plastic bag is sized to fit even your largest cushions and pillows. Place cushion in Aerofresh bag. With the upholstery tool attached to the end of the wand, hold bag tightly around wand (see diagram) and remove stale, dusty air from the cushion. Without letting go of bag at wand, quickly remove exhaust cap and attach hose to air exhaust opening on **Rainbow** to "refluff" your cushion with clean, water-washed air.

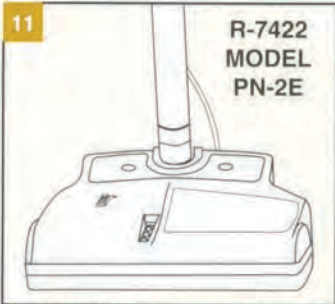
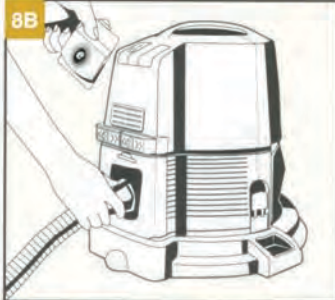
## WARNING:

**THE RAINBOW SPRAYER IS NOT TO BE USED WITH ANY TYPE OF FLAMMABLE LIQUIDS.** Be sure to follow manufacturer's instructions when using chemical solutions.

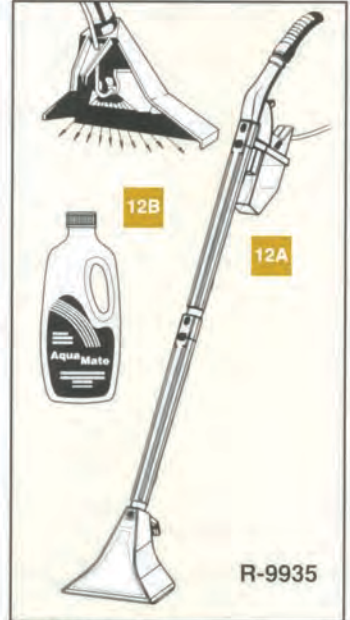


**10A REXAFOAMER:** The **Rainbow** Rexafoamer makes "dry" suds from liquid shampoo. Your rugs and carpets can be shampooed inexpensively, yet professionally, right in the home.

**10B** Rexafoamer Shampoo Concentrate quickly removes unsightly traffic film from rugs and carpets. No hard scrubbing required. Cleanses thoroughly, dries quickly. One quart.



**11 RAINBOW POWER NOZZLE:** The Power Nozzle adds motorized brush action to the already superior cleaning efficiency of the **Rainbow**. The rapidly revolving brush loosens lint, threads, hair and dirt for easy pick-up into the **Rainbow** water basin. It connects quickly and conveniently to the **Rainbow** and makes most deep nap, pile and shag carpets easier to groom and clean. The fully motorized Power Nozzle is easy to use, sturdy and lightweight. **Warning: To reduce the risk of electrical shock, do not use motorized nozzle on wet surfaces.**



**12A AQUAMATE®:** The AquaMate carpet cleaning extraction unit allows you to achieve professional results without the professional price tag.

**12B** AquaMate Carpet Cleaning Formula combines cleaner, deodorizer, protector, and reconditioner for ease of operation and superior cleaning results. One quart.

# OPERATIONS CHECKLIST



This **Rainbow** appliance was thoroughly tested and inspected at the factory. If a minor problem develops, the following trouble-shooting procedures may help identify and correct the problem with a minimum inconvenience.

PROBLEM	POSSIBLE CAUSE	POSSIBLE SOLUTION
<b>A. Machine Will Not Operate</b>	<ol style="list-style-type: none"><li>1. Not connected at wall outlet.</li><li>2. No power to wall outlet.</li><li>3. Defective cord, switch, or machine.</li><li>4. Machine not properly latched to water basin.</li><li>5. Automatic resetting motor protector has tripped.</li></ol>	<ol style="list-style-type: none"><li>1. Insert plug firmly into wall outlet or try another outlet.</li><li>2. Check fuse or breaker and replace if bad.</li><li>3. Call your <b>Rainbow</b> Distributor or <b>Rainbow</b> Service Center.</li><li>4. Check for correct assembly of power unit to water basin and ensure side latches are completely engaged.</li><li>5. Switch power unit "off" and disconnect plug from wall outlet. Allow the unit to cool for an extended period of time and restart normally.</li></ol>
<b>B. Loss of Airflow</b>	<ol style="list-style-type: none"><li>1. Machine not correctly positioned on water basin.</li><li>2. Plugged hose, wand, attachment, or Power Nozzle.</li><li>3. Clogged or dirty separator.</li><li>4. Incorrect airflow control sleeve setting.</li><li>5. Hepa Neutralizer needs servicing.</li></ol>	<ol style="list-style-type: none"><li>1. Ensure machine is correctly seated and latched onto water basin.</li><li>2. Check for clogged area and remove obstruction.</li><li>3. Turn off and unplug machine. Remove separator and clean.</li><li>4. Check for correct airflow control sleeve setting on the curved wand.</li><li>5. Return unit to Registered <b>Rainbow</b> Service Center for servicing as soon as possible.</li></ol>
<b>C. Discharges Water or Water Droplets</b>	<ol style="list-style-type: none"><li>1. Dirty or clogged separator.</li><li>2. Separator not correctly seated.</li></ol>	<ol style="list-style-type: none"><li>1. Clean separator.</li><li>2. Clean area under separator and ensure separator seats against spider-shaped part correctly.</li></ol>
<b>D. Discharges Dust</b>	<ol style="list-style-type: none"><li>1. Dirty or clogged separator.</li><li>2. Separator not correctly seated.</li><li>3. Low level of water in water basin.</li><li>4. Excessively dirty water in water basin.</li></ol>	<ol style="list-style-type: none"><li>1. Clean separator.</li><li>2. Clean area under separator and ensure separator seats against spider-shaped part correctly.</li><li>3. Fill water basin to correct level.</li><li>4. Replace with clean water.</li></ol>
<b>E. Heavy Foaming of Water in Water Basin</b>	<ol style="list-style-type: none"><li>1. Soapy contaminant in water basin.</li><li>2. High level of water in water basin.</li></ol>	<ol style="list-style-type: none"><li>1. Replace with clean water.</li><li>2. Empty and refill to correct level.</li></ol>
<b>F. Musty Odor</b>	<ol style="list-style-type: none"><li>1. Water basin not cleaned or dumped after use.</li><li>2. Separator not cleaned after use.</li><li>3. Machine stored on water basin.</li><li>4. Damp Hepa Neutralizer.</li></ol>	<ol style="list-style-type: none"><li>1. Clean water basin and use Deodorizer-Air Freshener when cleaning.</li><li>2. Clean separator.</li><li>3. Do not store machine on water basin. Use Deodorizer-Air Freshener when cleaning.</li><li>4. Reference to page 14, item 4.</li></ol>
<b>G. Machine Running, Hot or Burnt Odor</b>	<ol style="list-style-type: none"><li>1. Plugged hose, wand, attachment, or Power Nozzle.</li><li>2. Machine not seated on water basin correctly.</li><li>3. Separator not correctly seated.</li></ol>	<ol style="list-style-type: none"><li>1. Check for clogged area and remove obstruction.</li><li>2. Ensure machine is correctly seated and latched onto water basin.</li><li>3. Ensure separator is correctly seated.</li></ol>
<b>H. Different Tone, Noise, or Vibration</b>	<ol style="list-style-type: none"><li>1. Dirty or clogged separator.</li><li>2. Separator not correctly seated.</li><li>3. Water level above center dome in water basin.</li></ol>	<ol style="list-style-type: none"><li>1. Clean separator.</li><li>2. Ensure separator is correctly seated.</li><li>3. Empty and refill to correct level.</li></ol>

NOTE: If the above solutions do not prove successful, call your Authorized **Rainbow** Distributor.

