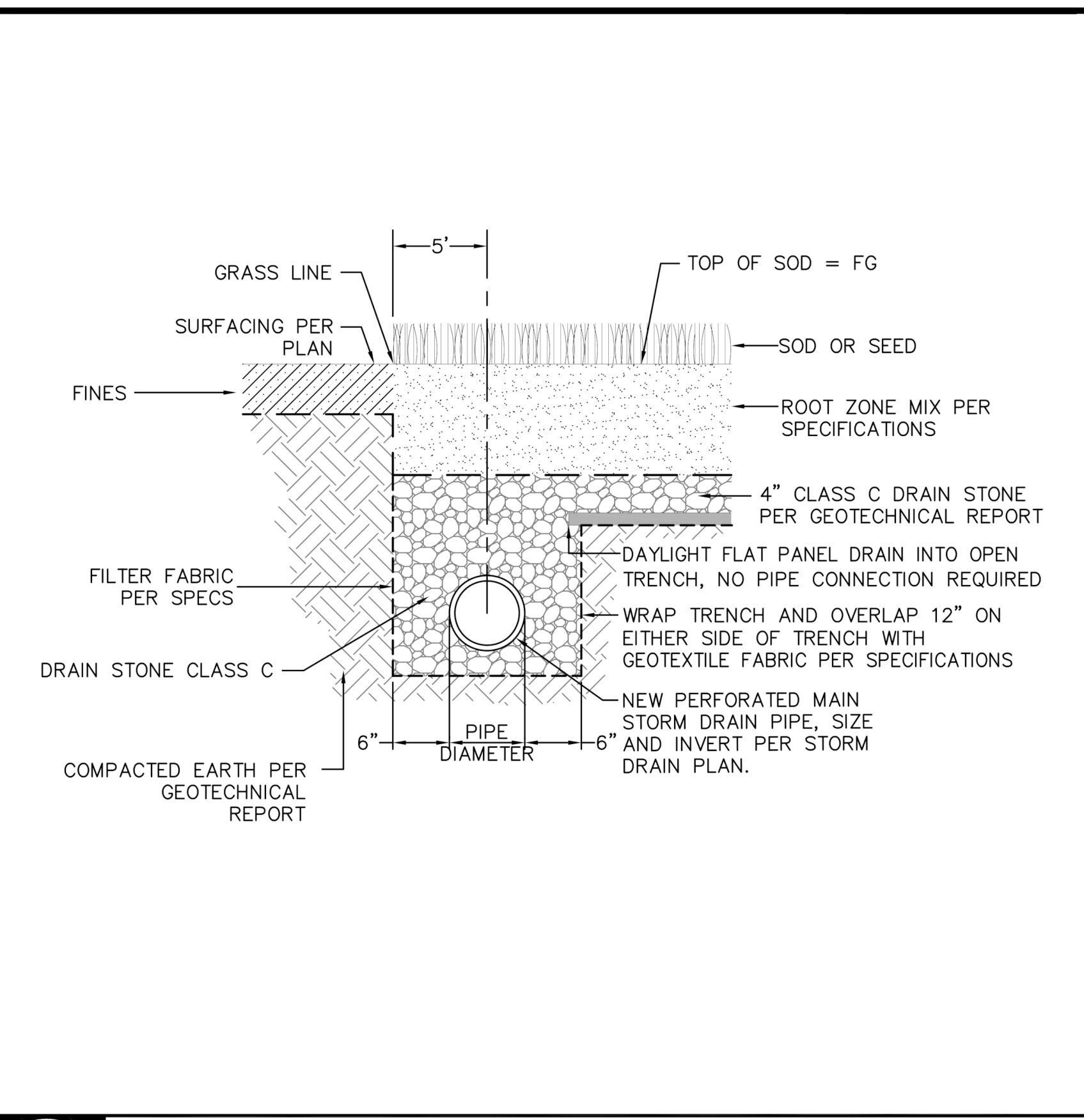
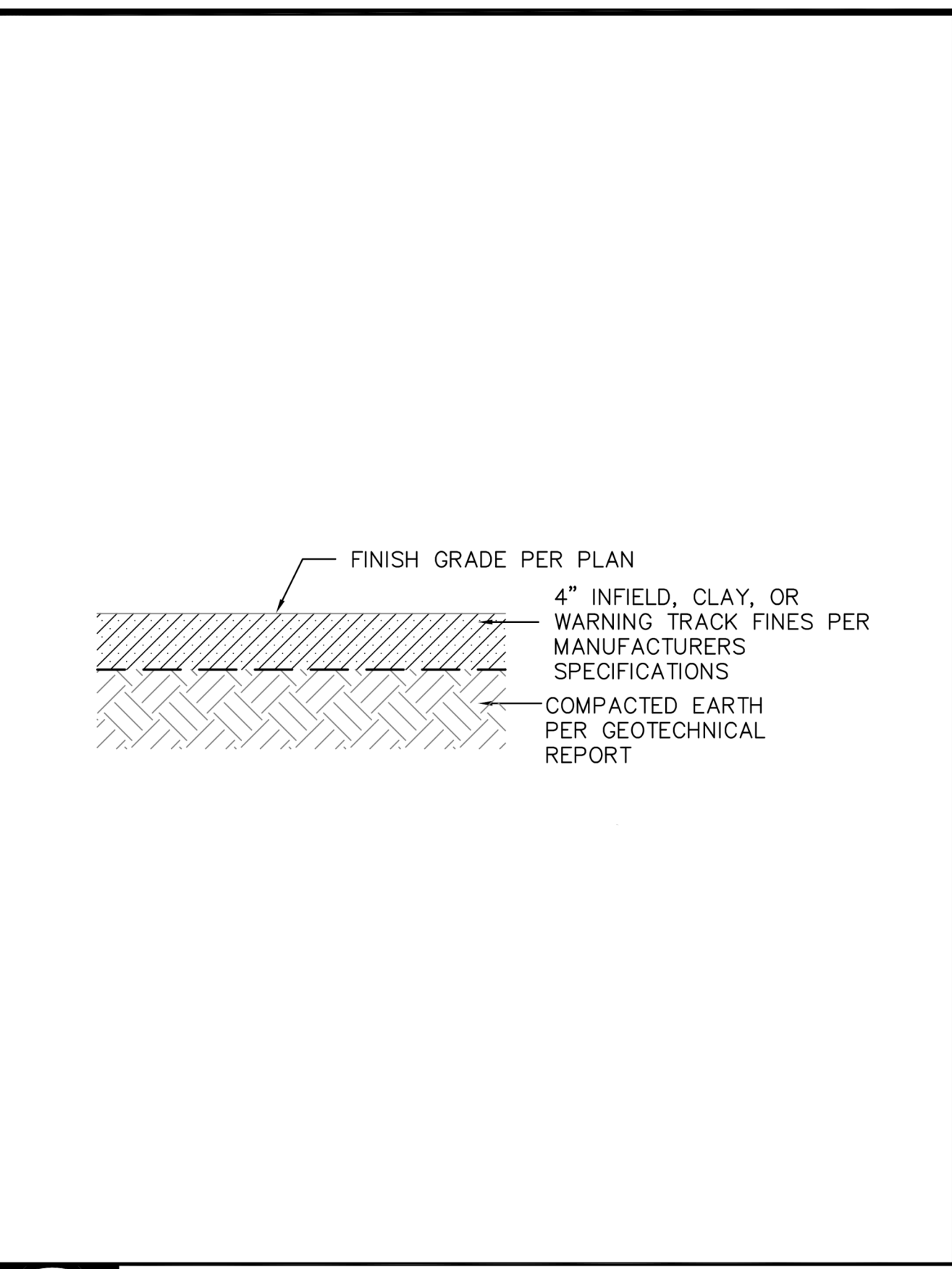


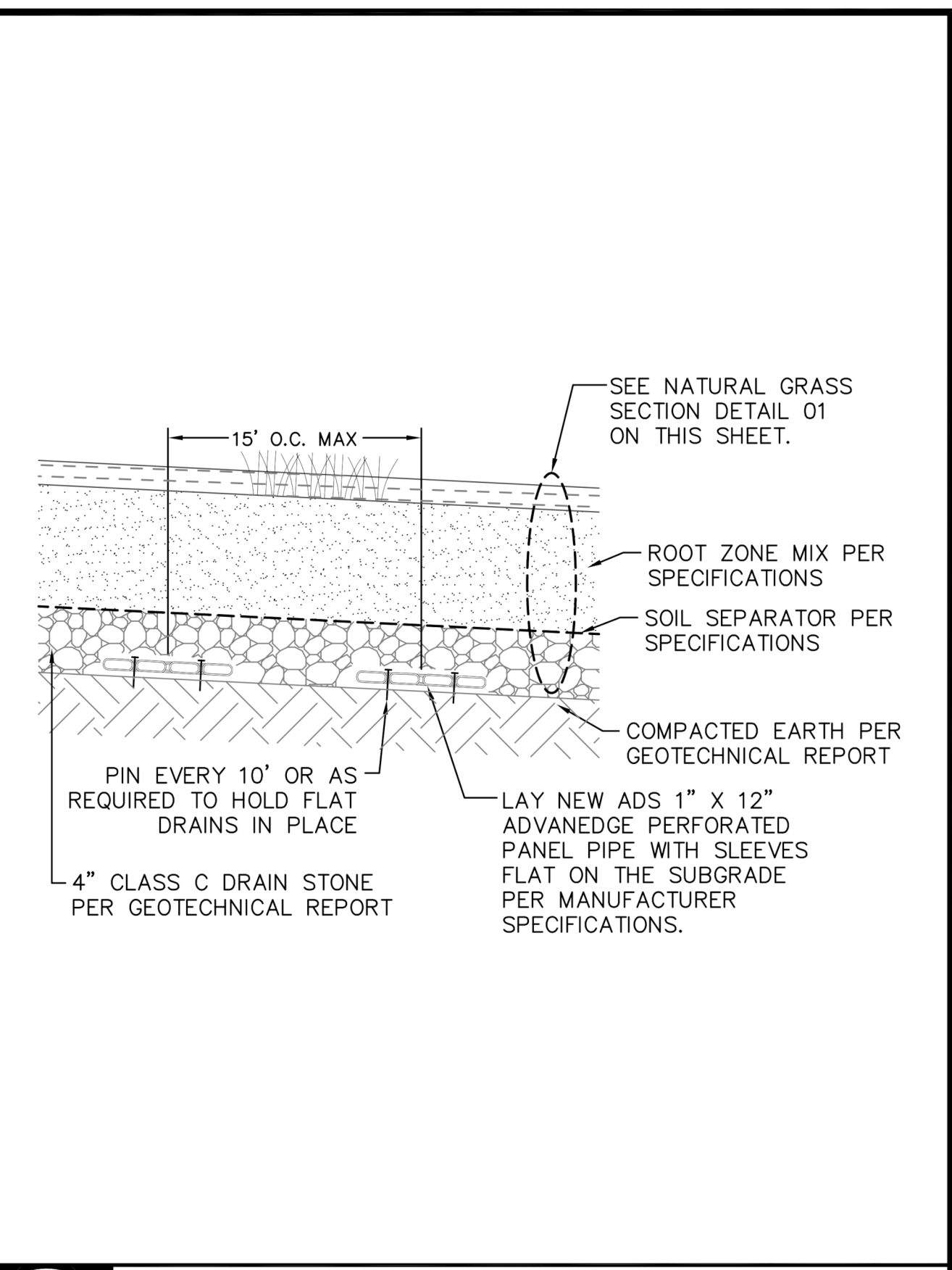
01 TYPICAL NATURAL GRASS SECTION
SCALE: NTS



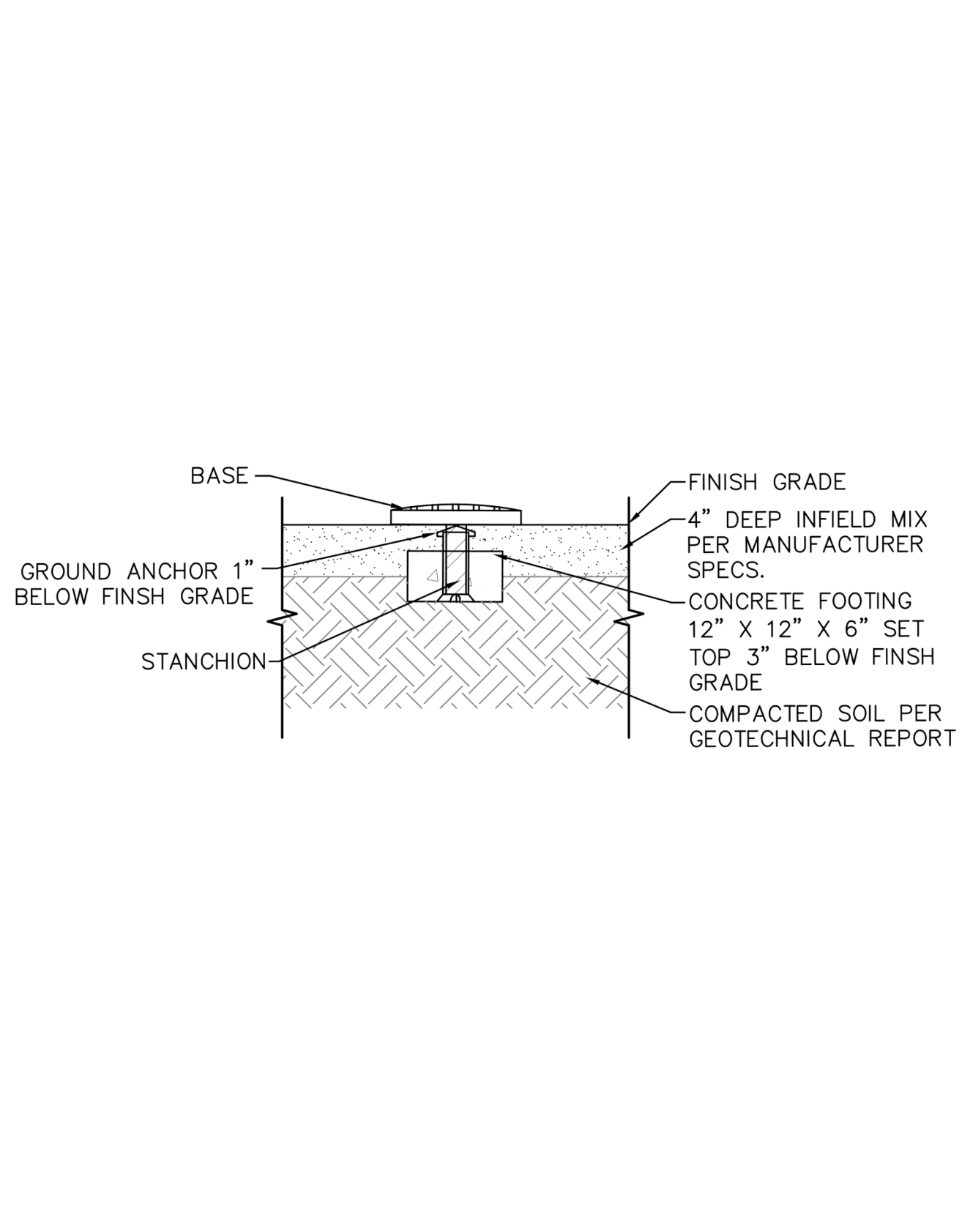
02 FRENCH DRAIN SECTION
SCALE: NTS



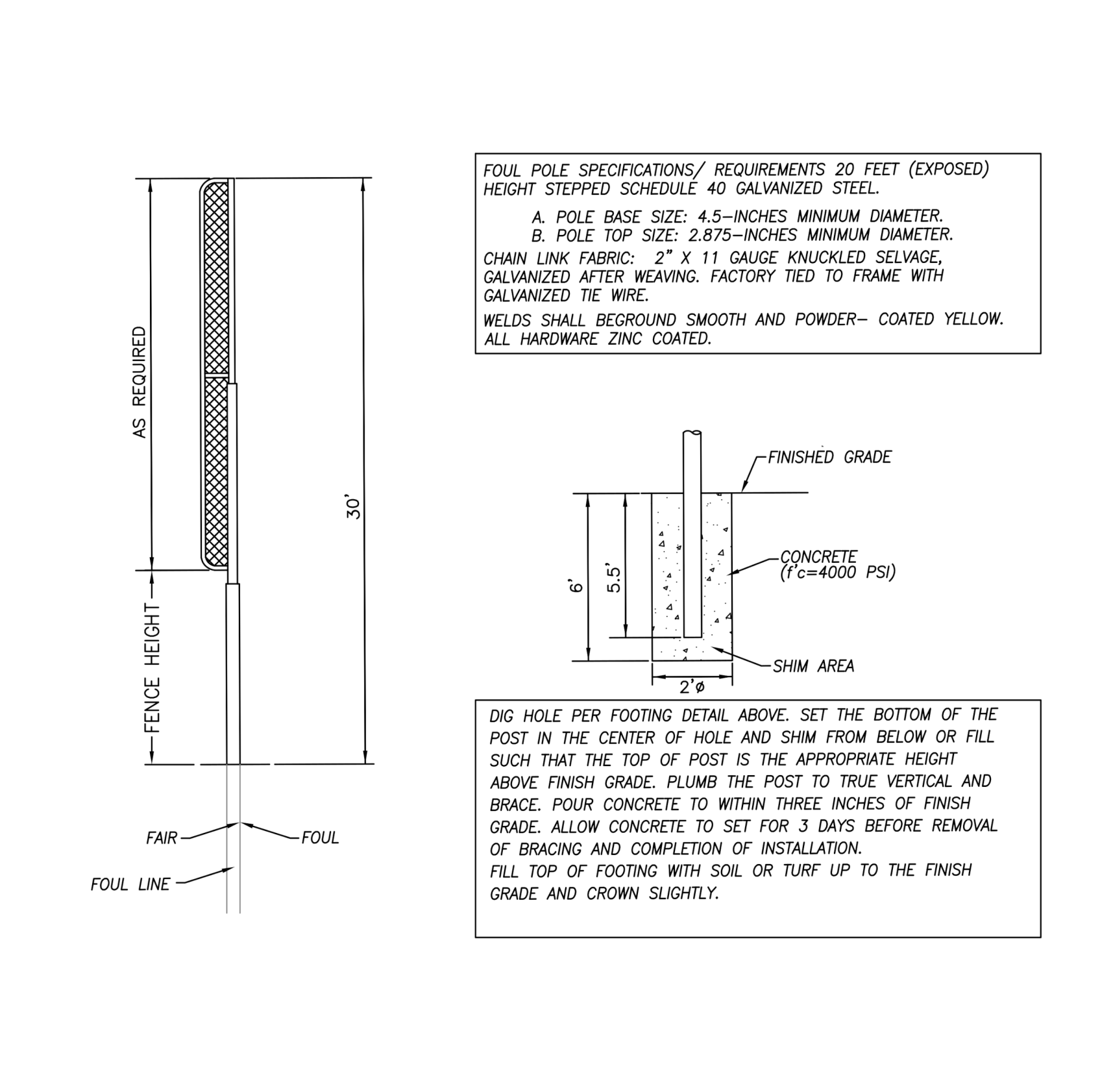
03 TYPICAL FINES SECTION
SCALE: NTS



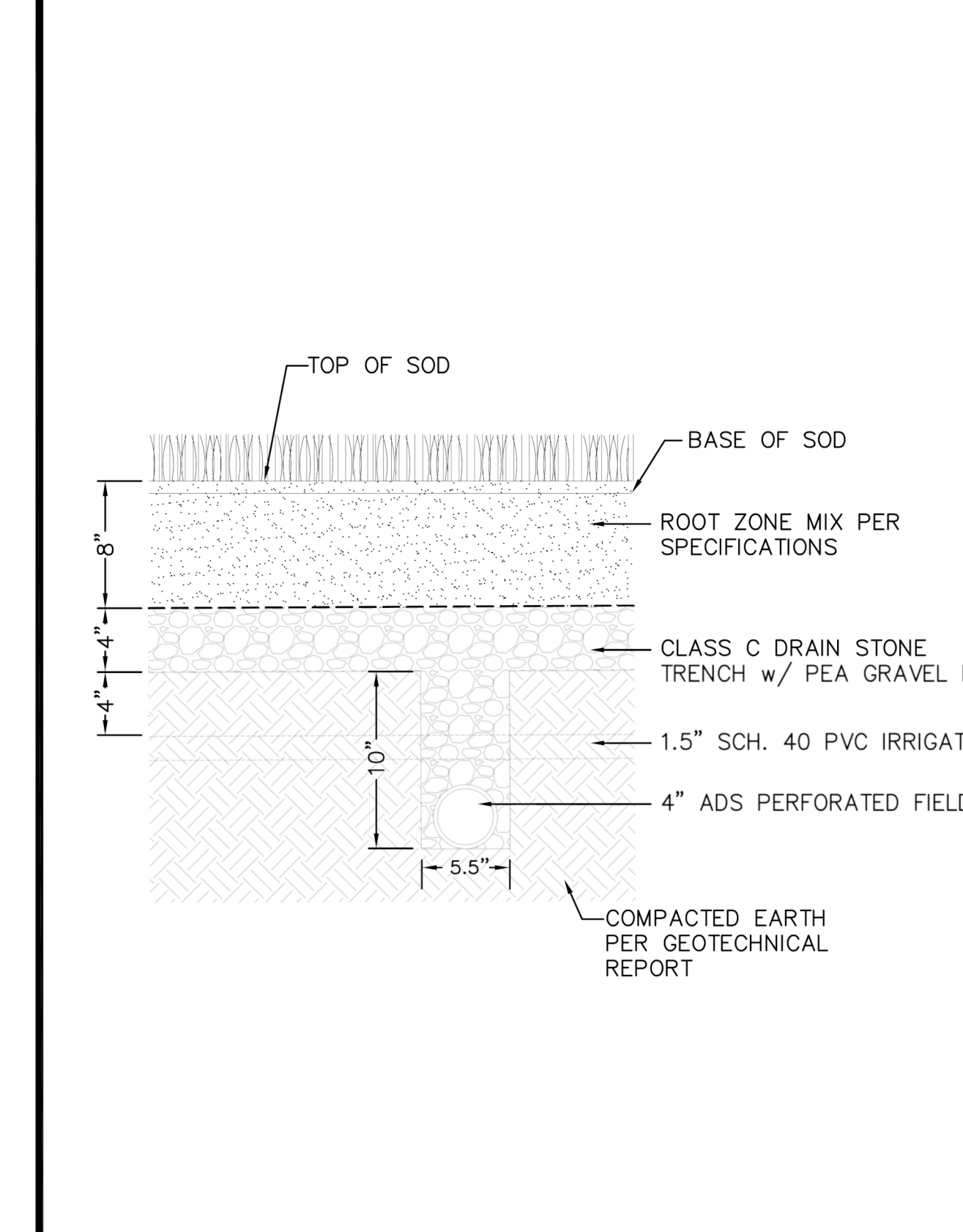
04 PANEL DRAIN - FLAT
SCALE: NTS



05 BASE ANCHOR DETAIL
SCALE: NTS



06 FOUL POLE AND FOOTING DETAIL
SCALE: NTS



07 TYPICAL NATURAL GRASS DRAIN SECTION
SCALE: NTS



OUTDOOR ATHLETIC FACILITY DESIGNERS & CONSULTANTS

724.870.4249
office@4mostsport.com
www.4mostsport.com

ALL RIGHTS RESERVED

OWNERSHIP OF DOCUMENTS

This document, and the ideas and designs incorporated herein, as an instrument of professional service, is the sole property of 4Most Sport Group LLC, and is not to be used in whole or in part for any other project or purpose without the expressed written authorization of 4Most Sport Group LLC.

CONTRACTOR

City of Milbank, South Dakota
Birthplace of American Legion Baseball
New Full-Size Baseball Field
Lake Farley Camp Site
Milbank, SD 57252
Field Construction Details

No.	Description	Date

FOR REVIEW ONLY
NOT FOR CONSTRUCTION

Project Number: 4M-026-AE
Date: 06/16/2022
Drawn by: WRC
Checked by: GJD

PF-1.2

Scale: NTS