

IRRIGATION NOTES:

THE LATERAL CORRUGATED POLYETHYLENE PIPE WILL BE A HIGH-DENSITY POLYETHYLENE CORRUGATED PIPE, DUAL WALL WITH AN INTEGRALLY FORMED SMOOTH WATERWAY. NOMINAL SIZES SHALL HAVE A FULL CIRCULAR CROSS-SECTION, WITH AN OUTER CORRUGATED PIPE WALL AND AN ESSENTIALLY SMOOTH INNER WALL (WATERWAY). CORRUGATIONS WILL BE EITHER ANNULAR OR SPIRAL. ALL SIZES SHALL CONFORM TO THE ASHTO CLASSIFICATION "TYPE S". THE PERFORATED PIPE SHALL HAVE A MINIMUM INLET AREA EQUAL TO 1.5 SQUARE INCHES PER LINEAR FOOT OF PIPE. PIPE AND FITTINGS SHALL BE MADE FROM VIRGIN PB COMPOUNDS, WHICH CONFORM TO THE REQUIREMENTS OF CELL CLASS 324420C, AS DEFINED AND DESCRIBED IN ASTM D335. PIPE SECTIONS ARE TO BE IN 10-FOOT OR 20-FOOT SECTIONS. ROLLED PIPE (SINGLE WALL) WILL NOT BE PERMITTED.

CLEAN OUT FITTINGS WILL BE FABRICATED FROM ASHTO M252 POLYETHYLENE PIPE AND WILL INCLUDE THREADED PVC CAPS. PVC CAPS SHALL HAVE A 1/2" GALVANIZED BOLT THREADED THROUGH THE CAP TO ALLOW FOR LOCATION LATER.

THE SPORTS FIELD SUB-BASE PREPARATION SHALL BE COMPLETE, AND APPROVED BY OWNER, BEFORE COMMENCEMENT OF WORK UNDER THIS SECTION.

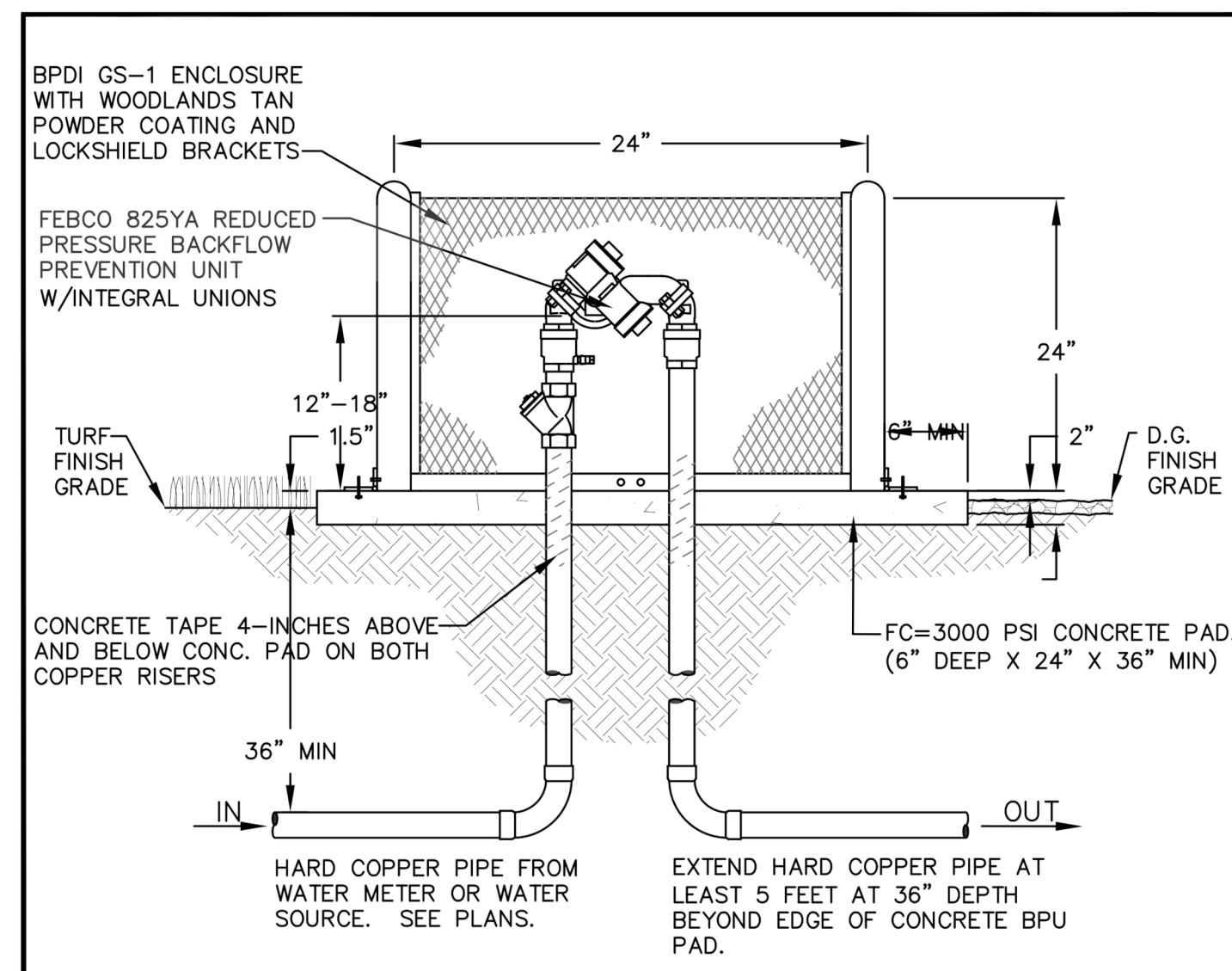
THE SPORTS FIELD CONTRACTOR SHALL VERIFY THE LOCATIONS OF OTHER UTILITIES THAT FALL WITHIN THE WORK AREA FOR THE NATURAL GRASS AREAS.

THE SPORTS FIELD CONTRACTOR SHALL LAYOUT AND STAKE THE LOCATION OF EACH PIPE RUN AND OBTAIN APPROVAL OF THE LAYOUT FROM THE GENERAL CONTRACTOR AND OWNER PRIOR TO EXCAVATING FOR IRRIGATION AND DRAINAGE LINES.

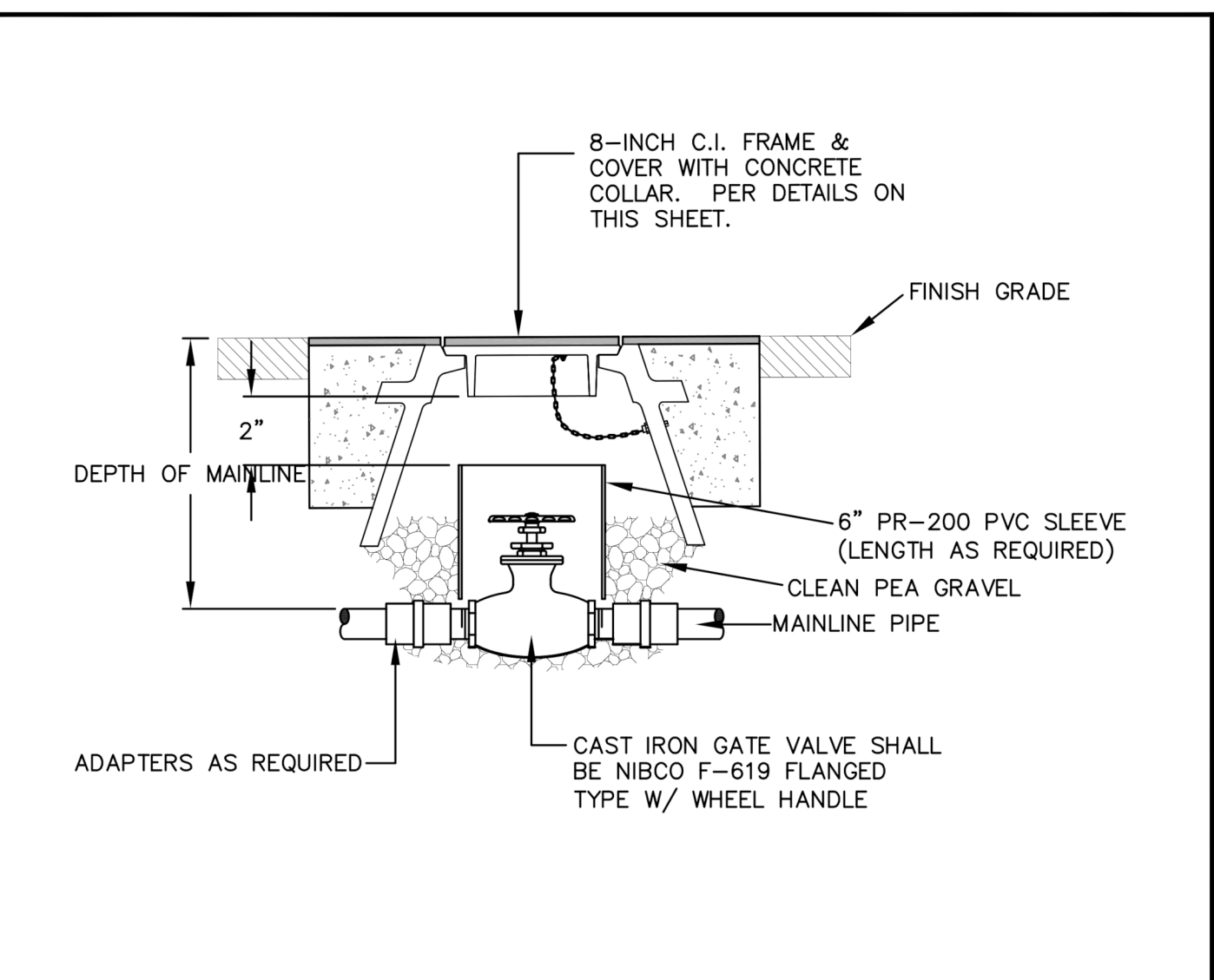
ONLY PERFORM TRENCHING, DRAINAGE PIPE INSTALLATION, AND BACKFILLING OPERATIONS THAT CAN BE COMPLETED IN ONE DAY. ANY EXPOSED TRENCHES THAT COLLAPSE DUE TO RAIN OR OTHER OCCURRENCES SHALL BE WIDENED AND FILLED AS SPECIFIED, OR REFILLED WITH SUB-GRADE MATERIALS, COMPACTED, AND RETRENCHED.

ALL LATERAL PIPES SHALL BE JOINED BY SNAP COUPLING WITH SOIL TIGHT GASKETS ON BOTH ENDS. ALL JOINTS TO BE SEALED WITH BLACK VINYL TAPE FOR MINIMIZED AIR LEAKAGE FROM JOINTS. END CAPS TO BE SECURED WITH TWO (2) STAINLESS STEEL SCREWS AND SEALED BLACK VINYL TAPE FOR MINIMIZED AIR LEAKAGE.

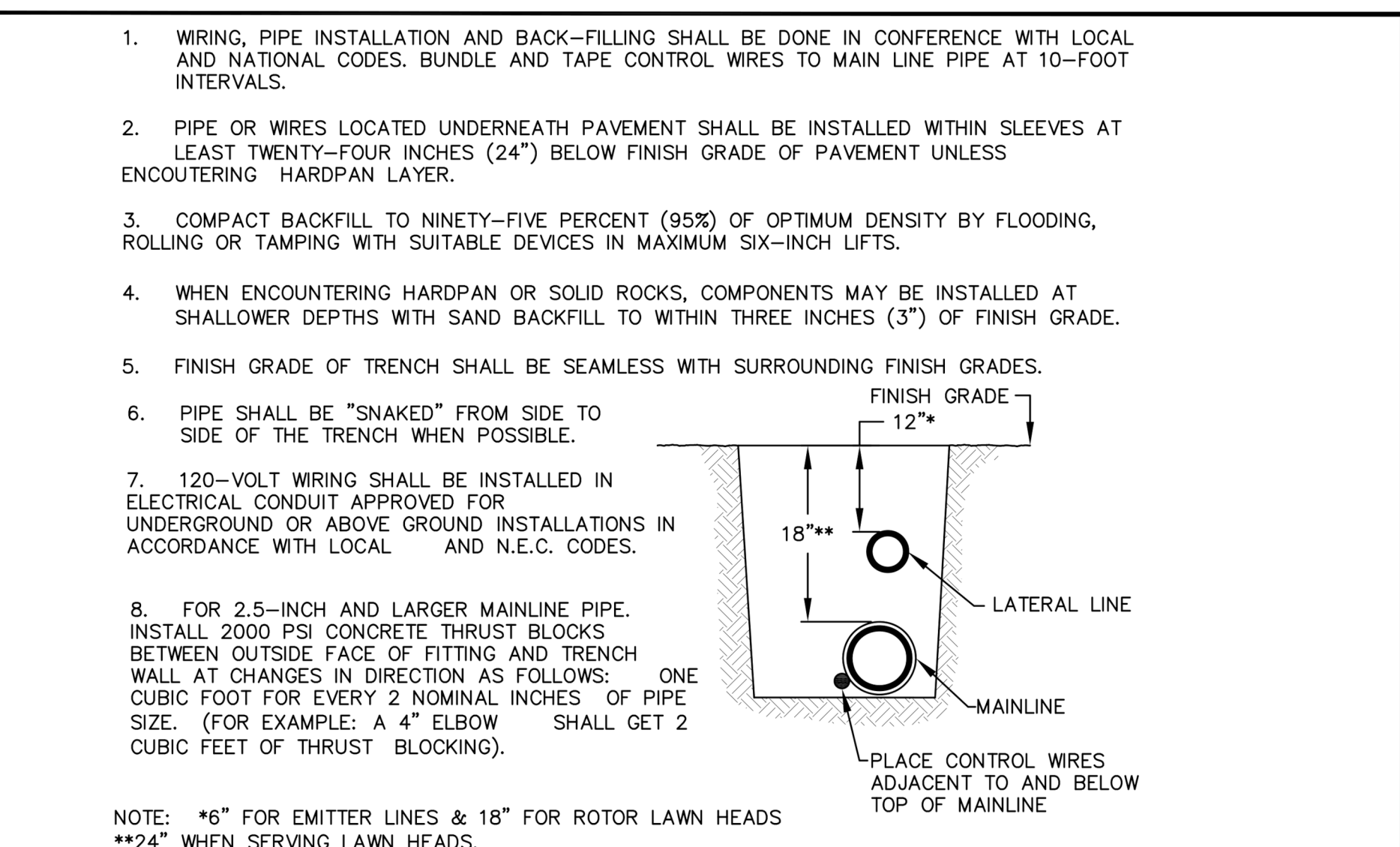
BACKFILLING LATERAL TRENCHES: FILL LATERAL TRENCHES WITH DRAINAGE STONE IN MAXIMUM 4-INCH LIFT, CONSOLIDATING EACH LIFT. DO NOT DISPLACE OR DAMAGE DRAINAGE PIPE WITH COMPACTING. THE INTENT IS TO HAVE A COMPACTED AND CONSOLIDATED TRENCH THAT WILL NOT SUBSIDE PRIOR TO THE INSTALLATION OF THE ROOT ZONE MIX. EXERCISE CARE TO PREVENT DISTURBANCE TO THE SUB-GRADE ELEVATIONS OR COMPACTION.



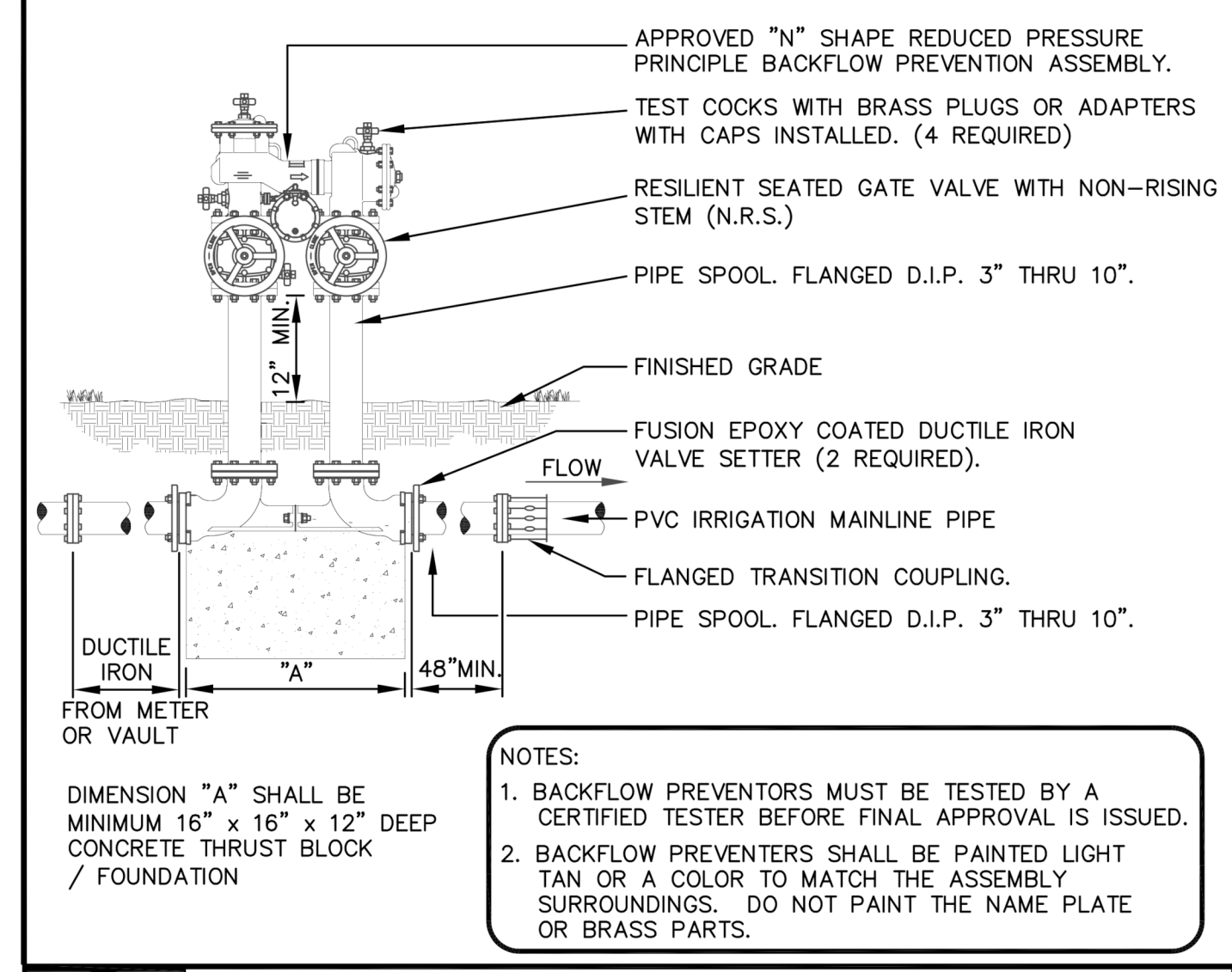
01 3/4" - 2" BACKFLOW PREVENTION UNIT
SCALE: NTS



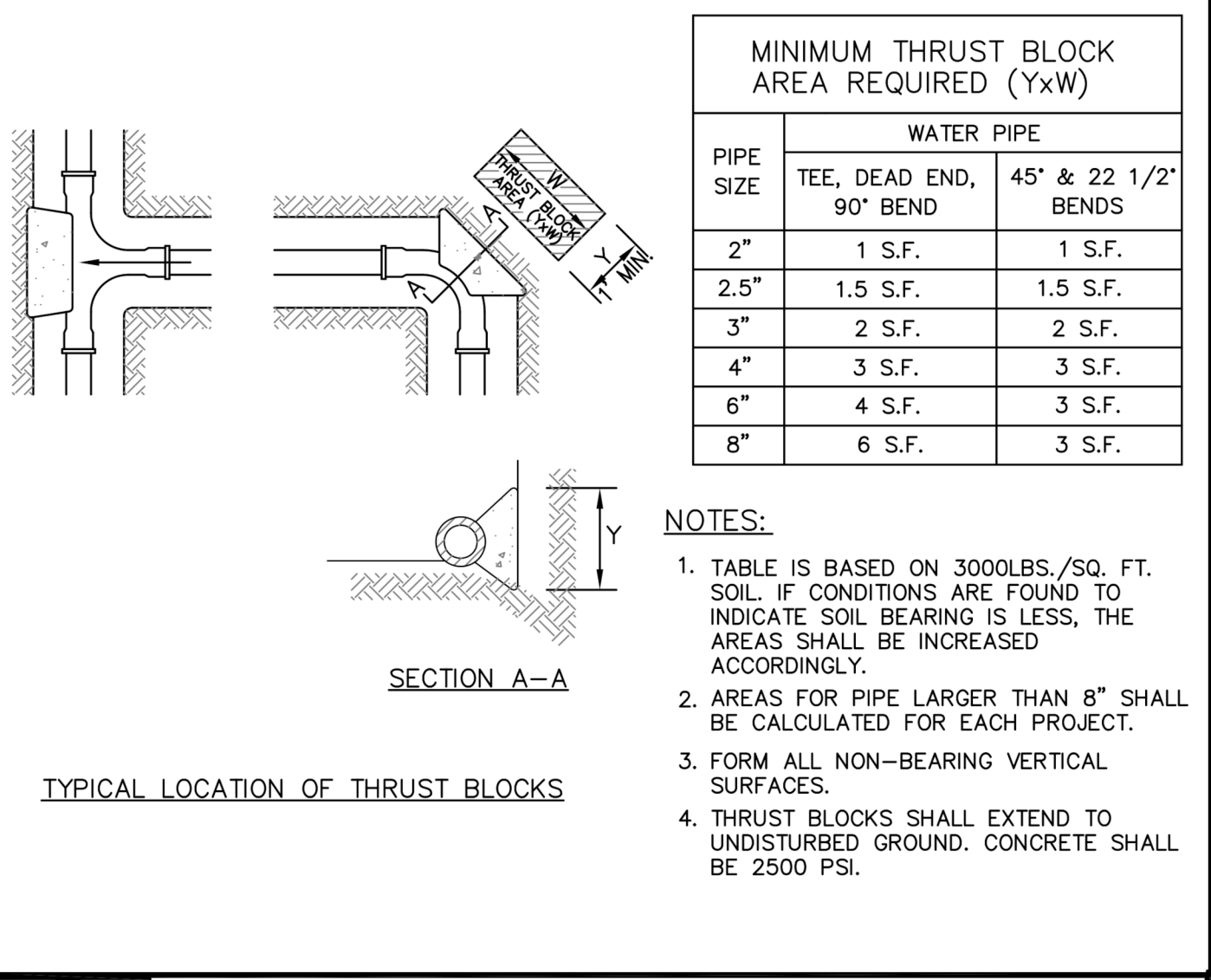
02 GATE VALVE (6" & LARGER)
SCALE: NTS



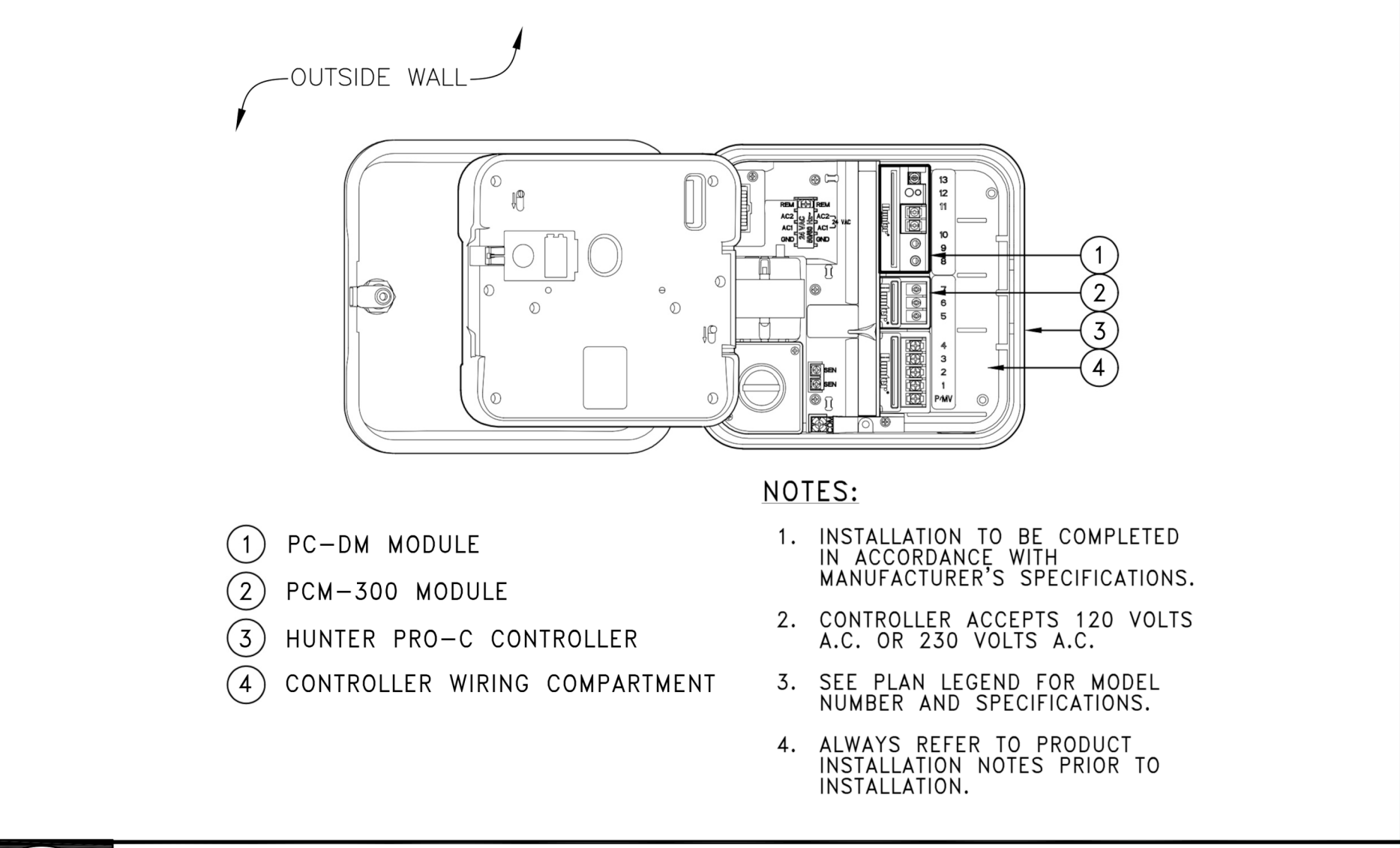
03 TYPICAL TRENCH DETAIL
SCALE: NTS



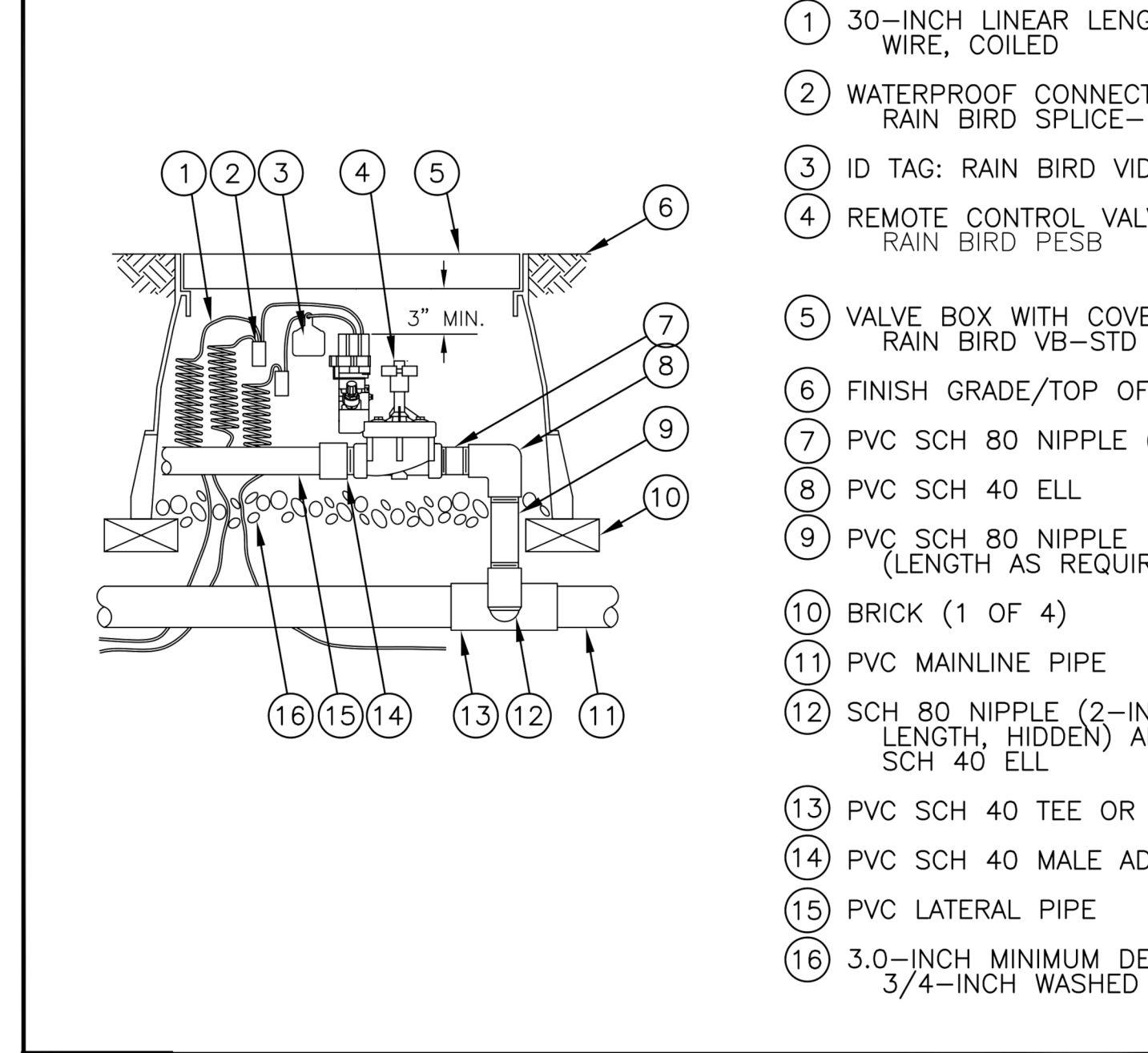
04 2-1/2" - 10" BACKFLOW PREVENTION UNIT
SCALE: NTS



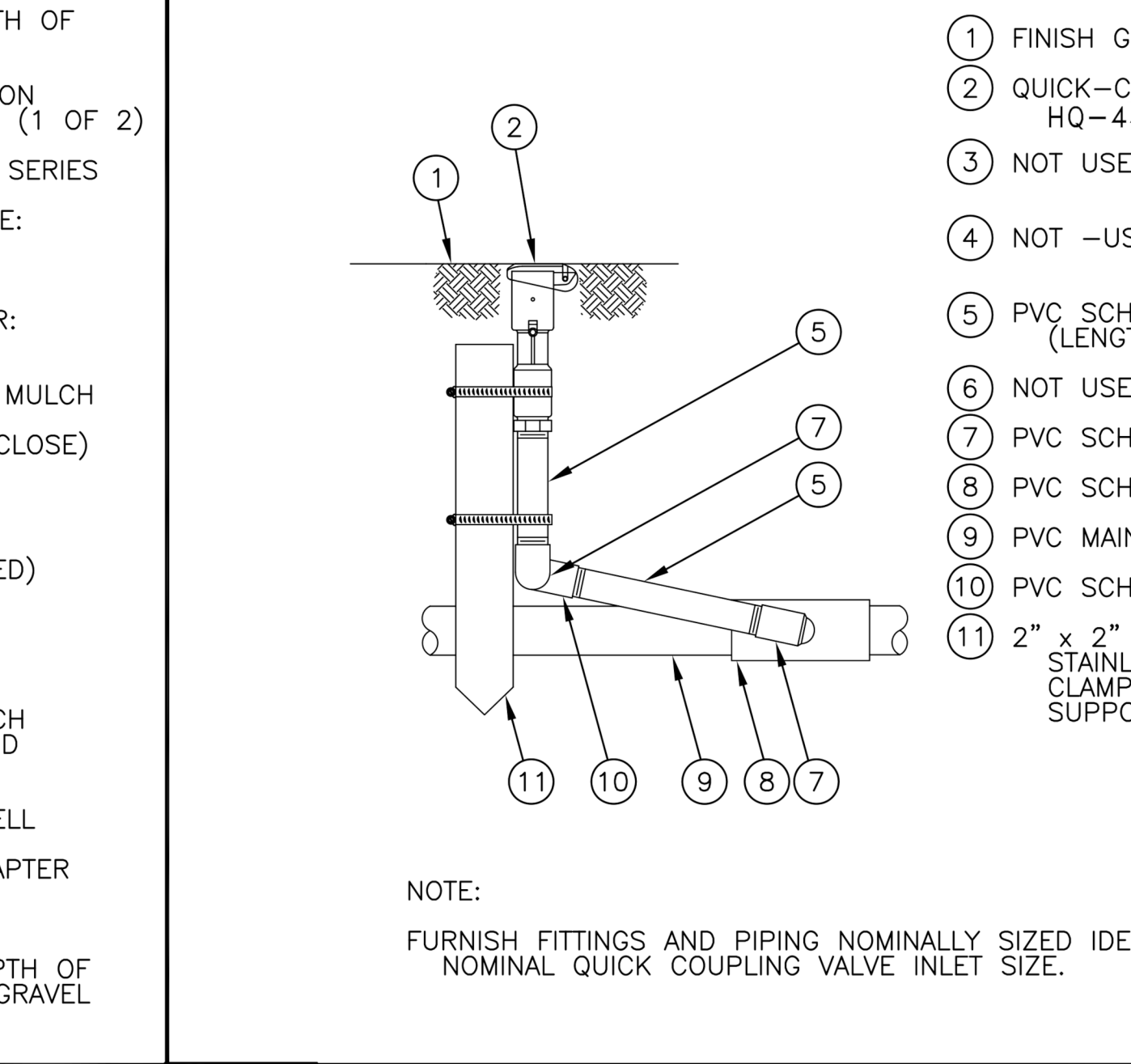
05 THRUST BLOCK DETAIL
SCALE: NTS



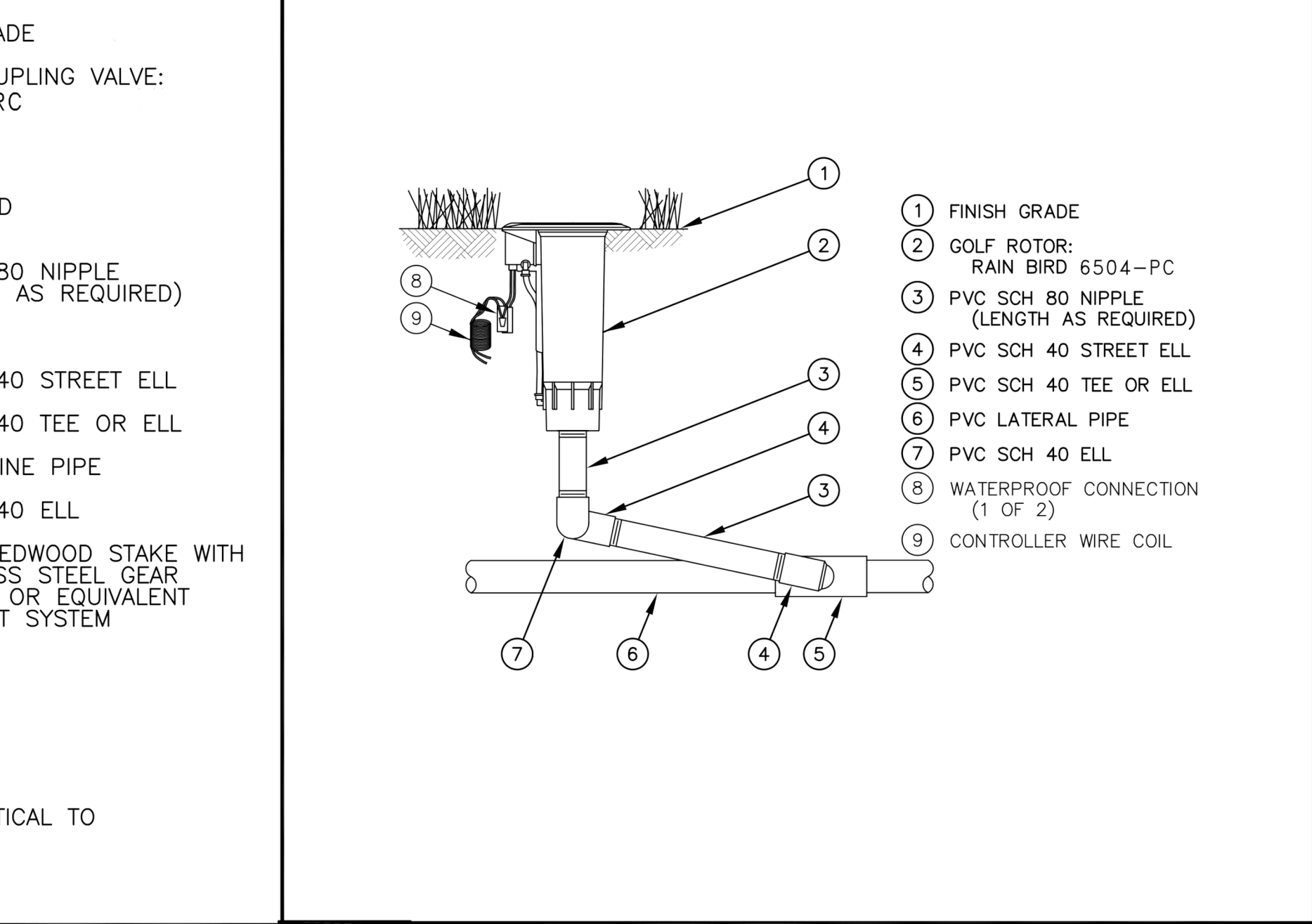
06 HUNTER PC-400 WITH PCM-300 SATELLITE CONTROLLER
SCALE: NTS



07 RAINBIRD ELECTRIC REMOTE CONTROL VALVE PESB SERIES IN RAINBIRD VB-STD IRRIGATION BOX
SCALE: NTS



08 HUNTER QUICK COUPLING VALVE MODEL 44RC SERIES
SCALE: NTS



09 RAINBIRD 6504-PC ROTOR DETAIL
SCALE: NTS

4MOST SPORT GROUP
149 South Broad Street | Grove City | Pennsylvania | 16127

OUTDOOR ATHLETIC FACILITY DESIGNERS & CONSULTANTS
724.870.4249
office@4mostsport.com
www.4mostsport.com
ALL RIGHTS RESERVED
OWNERSHIP OF DOCUMENTS

CONTRACTOR

City of Milbank, South Dakota
Birthplace of American Legion Baseball
New Full-Size Baseball Field
Lake Farley Camp Site
Milbank, SD 57252
Irrigation Details

FOR REVIEW ONLY
NOT FOR CONSTRUCTION

No.	Description	Date

Project Number: 4M-026-AE
Date: 06/19/2022
Drawn by: WRC
Checked by: GJD
Scale: 1" = 20'