

Tele (club) 8786 8794 Club email bdwwsec@outlook.com

Postal address:

The Berwick District Woodworkers Inc  
PO Box 921, High Street, Berwick, Victoria, 3806

Location:

The Old Cheese Factory, 34 Homestead Road Berwick, 3806  
Inc. No A0012122U

## GOODBYE 2020, HELLO 2021

Welcome to the Newsletter for January 2021

**DATES TO REMEMBER:** Committee Meeting 18th January, 1.00pm in clubroom.  
Monthly Meeting - AGM Wednesday 3rd February 2021, 1.00pm in clubroom.

**FUNCTIONS:** Welcome back BBQ will be held on Wednesday 20<sup>th</sup> January 2021 at 5.00pm. BYO meat and drinks. Salads and bread will be provided.

The club's own barbeque will be used and the lawn in front of the club house will be set up as the picnic area with tables and chairs also available on the clubroom veranda.



In accordance with Covid restrictions club members are asked to sign the attendance book, providing name and phone number while visitors will be asked to sign the visitors book with their information. In the present situation, face masks are required indoors but not necessary outdoors.

### PRESIDENT'S REPORT.



Welcome back to a new year and I hope you all had a great Christmas and New Year, let's hope that 2021 is a better year for all.

When attending the club please remember to be covid safe, sign in with telephone number, (this is required by law.) hand sanitizers are located at the main door and at the lunch room door.

A reminder that our **Club fees** are now over due and can be paid directly into our bank account at Westpac BSB 033609 a/c No 416074 and be sure to add your name in the comments area. Alternatively you can send a cheque by mail to the club addressed to the Treasurer at Post Office Box 921 Berwick 3806, or by cash to one of the committee members when at the club.

**The Clubs Annual General Meeting is now planned for Wednesday 3<sup>rd</sup> February at 1.00pm** and the AGM agenda and minutes from last year's have been sent out along with committee nomination forms. The welcome back BBQ will be held on Wednesday 20<sup>th</sup> January 2021 at 5.00pm. Details as above.

**Len Preece - President.**



Please note only financial members can vote at the AGM.

**CLUB INFORMATION:**

**MEETINGS:**

**COMMITTEE**

18th January

**GENERAL**

AGM - 3rd February

**SPEAKERS ETC**

--

**FARMERS' MARKET**

13th February

**Committee of Management:**

**Contact Details**

**Name**

**Phone**

President Len Preece 59405564  
 Vice President Brian Crowe 0438 012 155  
 Secretary (standing in until AGM) Mark Bellis - 0439 991 134  
 email: bdwwcsec@outlook.com  
 Treasurer Peter Angwin 5941 1272

**Committee**

Mark Bellis 0439 991 134  
 John McMahon 9796 1097  
 Martin Van Diemen 9707 5305  
 Ken Whitefield 0402 256 134  
 Ken D. Barnes 0419 114 738  
 Paul Ryan 0400 538 577

Monthly demonstrations - *Vacant looking for help*  
 Functions Coordinator - *Vacant*  
 Newsletter Editor - *Elsie Hoare*  
 Public relations - *Len Preece*  
 OCF Contact group - *Len Preece*  
 Toy Coordinator - *Ken D. Barnes.*  
 Machinery maintenance supervisor. - *Brian Crowe*  
 Health and Safety Coordinator - *All committee members.*  
 Member's welfare coordinator - *Ken Whitefield*  
 Kits for kids coordinator - *Ken Whitefield*  
 Farmers Market Coordinator - *Martin Van Diemen & Paul Ryan*  
 Special interest group coordinators - *To suit group*  
 Librarian - *Keith Towe*  
 Exhibition and Show - *John McMahon*  
 Gala Day coordinator - *Len Preece*  
 Our Lease - *Chris Drysdale*  
 Screws - *Martin Van Diemen*  
 Paint - *George Young*  
 Timber coordinator - *Martin Van Diemen*  
 Equipment authorisation approved members. - *Len Preece, Brian Crowe, John Damon, John Membrey and Bill Bradshaw.*  
 Mens' Shed coordinator - *Wayne Lucas.*  
 Web/WebMaster - *Jack Croucher*

**All material for the Club's monthly publication is to be submitted by e-mail [ricels@bigpond.com](mailto:ricels@bigpond.com) by hand, or by phone to the editor by the 15<sup>th</sup> of each month: Letters to the editor must be sent to the committee.**

**PLEASE NOTE:** Those members wishing to use the workshop on Saturdays other than Farmers' Market Saturdays must make private arrangements with a key-holder. For safety reasons, there must always be two members present in the workshop whenever it is being used.

**Membership Fees:**  
 Individual Joining Fee - \$40.00  
 Single Membership - \$65.00  
 Family Membership - \$100.00  
 No Attendance Fee.  
 Tea & Coffee complimentary.  
 Members can pay either direct at club or by EFT bank transfer to WBC Berwick BSB 033 609, Acct # 41 6074. Please remember to put your surname as a reference.

**Workshops & Meetings:**

<b>Weekly</b>	<b>Hours</b>	<b>Activity</b>	<b>Leader</b>
Monday Morning	9.00 am – 2.30 pm	Toys -	Eric Guthrie
Tuesday Morning	9.00 am – 2.30 pm	Toys -	Ross Blackwood
Wednesday Morning	9.00 am - 1.00 pm	General -	Bill Bradshaw
Wednesday Evening	5.00 pm - 9.00 pm	General -	Bill Bradshaw
Thursday Morning	9.00 am – 1.00 pm	Fine W/work -	Brian Crowe
Friday Morning	9.00 am - 1.00 pm	General -	Len Preece
Saturday Morning	9.00 am - 1.00 pm	Farmers' Market supervisors -	Martin Van Diemen and Ken Whitefield or by prior arrangement on other Saturdays.

.....

Berwick Woodworkers wish to thanks **Gary Maas MP** State Member for Narre Warren South, and his staff for their support in printing this newsletter for us. **8783 6959.**

Berwick Woodworkers also acknowledge with gratitude the generosity of **Ephraim Finch** who has supported the club for many years with donations of top quality timber. Without Ephraim's gifts, the work we do for local underprivileged children would be considerably curtailed.



We were beginning to think it would never happen but the club doors have reopened and members are looking forward to the coming year. Below **Jack Croucher** and **Chris Drysdale** enjoy a cup of tea while George Young tidies the crockery cupboard.



**SHOW & TELL** items are still of a virtual nature, with photos being found on the club's Facebook page or sent to me by members. Below is a copy of a note from **Keith Towe**

*"Being a wood miser, I throw small exotic off-cuts into a cardboard Box for possible further use, these are often the 4 corner pieces from a square block being prepared for a bowl or dish. The miniature objects in this photo were made from these off-cuts during lockdown 2020, and the 50 cent coin will give some idea of size. - Keith"*



Keith also made this little bowl from a piece of black-heart sassafras.

Many of our members took the opportunity to use the lockdown time to make Christmas presents and decorations, some of which can be seen on the following pages.



**Paul Ryan:** *"Just a few things made for Xmas pressies."*



**David Murden:** (below)  
*"The Christmas ornaments that I made on my lathe to practice my spindle turning for family gifts."*



David also made the small lidded box at left.





**John McMahon** took a little time out from his Covid Collection to make these Christmas ornaments.



"Christmas is coming. Sociably (as distinct from socially) distanced Snowmen approx 50mm diam 120mm tall & Xmas trees approx 60mm diam 120mm tall.

Covid No. 48: A few weeks ago I was ready to share photos of my remaining Covid Collection pieces, but my computer died. I'm finally up and running again, so here's the next one. Blackheart Sassafras approx 250mm diam 70mm deep. Recessed gold highlight bands."



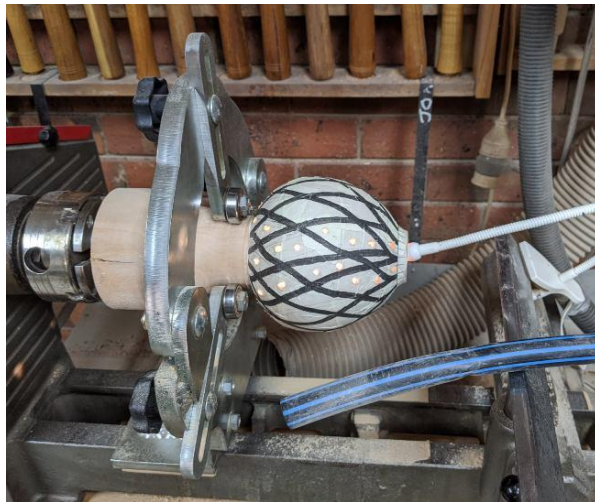
" Covid No. 50: Myrtle burl lidded box. Approx 160mm square 300mm tall including finial. (below left)

When the Covid-19 lockdown forced our woodclub to close back in March, I decided to make 19 pieces, photograph them & share the pictures on social media as a means of maintaining contact with club members & other friends. All pieces were to be turned on the lathe, using a variety of woods, techniques, texturing, & other means of creating individual pieces. By the time the nineteenth piece was finished, we were still deep in lockdown, so I kept going. Eventually, in November, the lockdown was lifted & our club re-opened just as my 51st piece was finished. Just as well, as I was running out of room on the dining room table. Anyway, here's the entire 51 piece collection. Thanks to everyone who has liked & commented as I posted each piece."





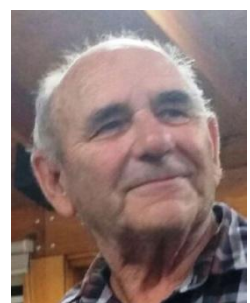
Here is John's Covid No. 51 Apple hollow form, one piece. Textured & pyro'd. Approx 125mm diam 250mm tall. In case you're wondering how on earth he did it, John has included pictures of the process.



.....



Although 2020 was the year most of us want to forget, some nice things happened: **Bill Bradshaw's** daughter **Avril**, won **Teacher of the Year** Award. at Hampton Park Primary School and **Len Preece** was able to congratulate his grandsons, **Jai**, for his **95.5** score in his VCE exam, and **Keanan** who achieved **72.7**. It was a difficult year for teachers and students alike. No wonder these two members are feeling proud.



.....

Happily, the Farmers' Market is continuing successfully with over 500 patrons attending this month. Considering that this holiday season is usually a little slow, with some stall holders away, this is a satisfying attendance number.

.....

**Ken Barnes** has sent this topical quiz question for you. The answer is on the following page.

Q. For what purpose was the U.S. Secret service established?

**FROM THE INTERNET.** Assuming that I know the answer to all woodworking questions, a friend recently asked me how to find the centre of a circle. Good old internet saved the day . The illustration at right shows how easy it is.

**ANNUAL GENERAL MEETING NOTICE.** (just in case you missed it earlier)

This is to advise that the 2019/2020 Annual General Meeting of the Berwick District Woodworkers Club Inc.

will be held on Wednesday 3<sup>rd</sup> February 2021 at 1.00 pm.

The meeting will be held at the clubrooms, Old Cheese Factory, 34 Homestead Road, Berwick, Vic, 3806.

Nominations for Committee members can be received up to 24 hours prior to the meeting.

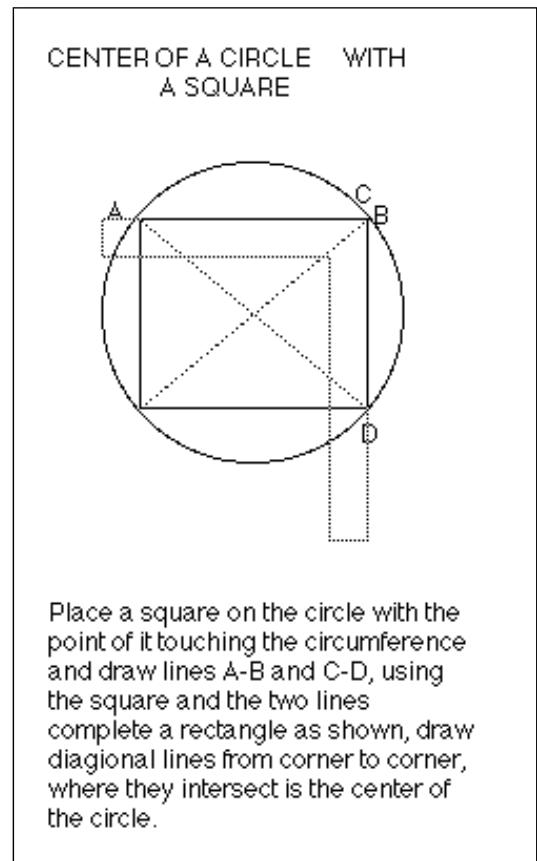
Please note only financial members can vote at this meeting.

**ANSWER TO QUIZ QUESTION:**

To counteract counterfeiting. After the civil war (nothing civil about it) men had no money, some got a gun and took someone else's (dangerous) the clever ones printed it.

The legislation moving it to the department of the Treasury (where it should have been In the first place) was on

President Lincoln's desk the day he was assassinated. It took the assassination of 3 U.S. Presidents before Congress passed a bill in 1901 to protect their Presidents. Lincoln 1865, Garfield 1881 and McKinely 1901. (McKinley died of Gangrene after he was shot in the leg) The Secret Service is charged with protecting all the Presidents, all the Vice Presidents, their wives, and children (up to the age of 16 years) and their homes for life. When an ex-President dies their wives are no longer afforded protection They also protect visiting foreign visitors.



.....

**Two guys, one old, one young, are pushing their carts around K-Mart when they collide. The old guy says to the young guy, "Sorry about that. I'm looking for my wife, and I guess I wasn't paying attention to where I was going."**

**The young guy says, "That's OK, it's a coincidence. I'm looking for my wife, too... I can't find her and I'm getting a little desperate."**

**The old guy says, "Well, maybe I can help you find her...what does she look like?"**

**The young guy says, "Well, she is 27 yrs. old, tall, with red hair, blue eyes, is buxom, long legs, and is wearing a mini skirt.**

**What does your wife look like?'**

**To which the old guy says,**

**"Doesn't matter, --- let's look for yours."**

.....

That's all for now until next time. Wishing you all a Happy, successful and safe 2021.

.....