

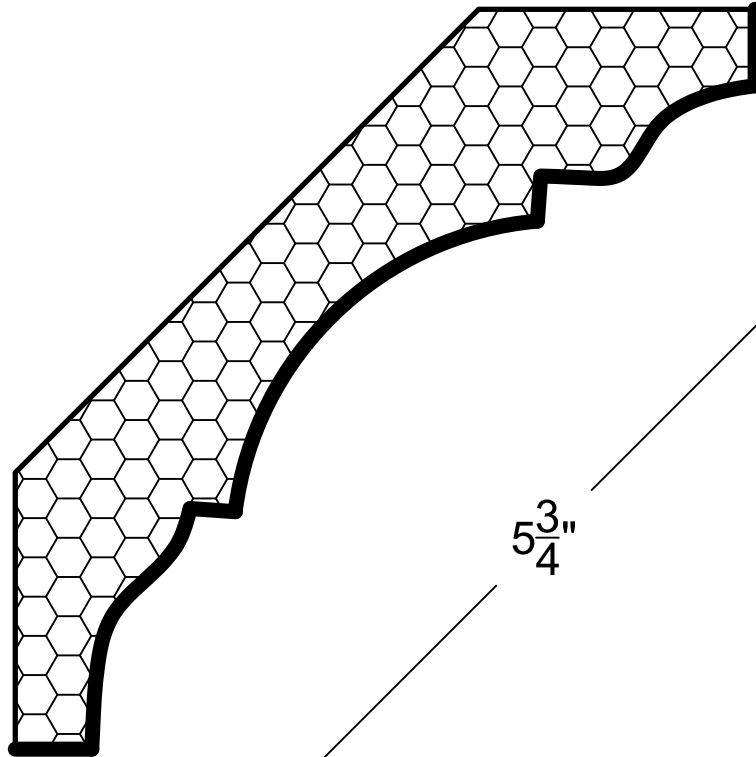
Cove

$4\frac{1}{8}"$

$4\frac{1}{8}"$

$5\frac{3}{4}"$

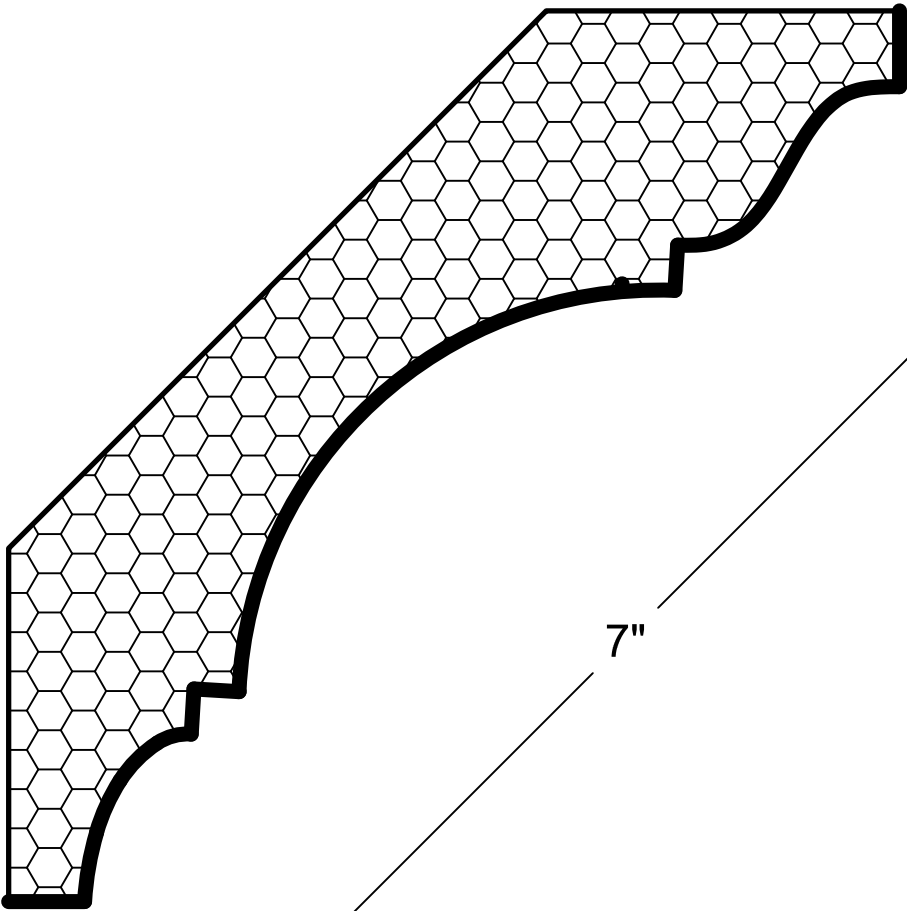
Cove



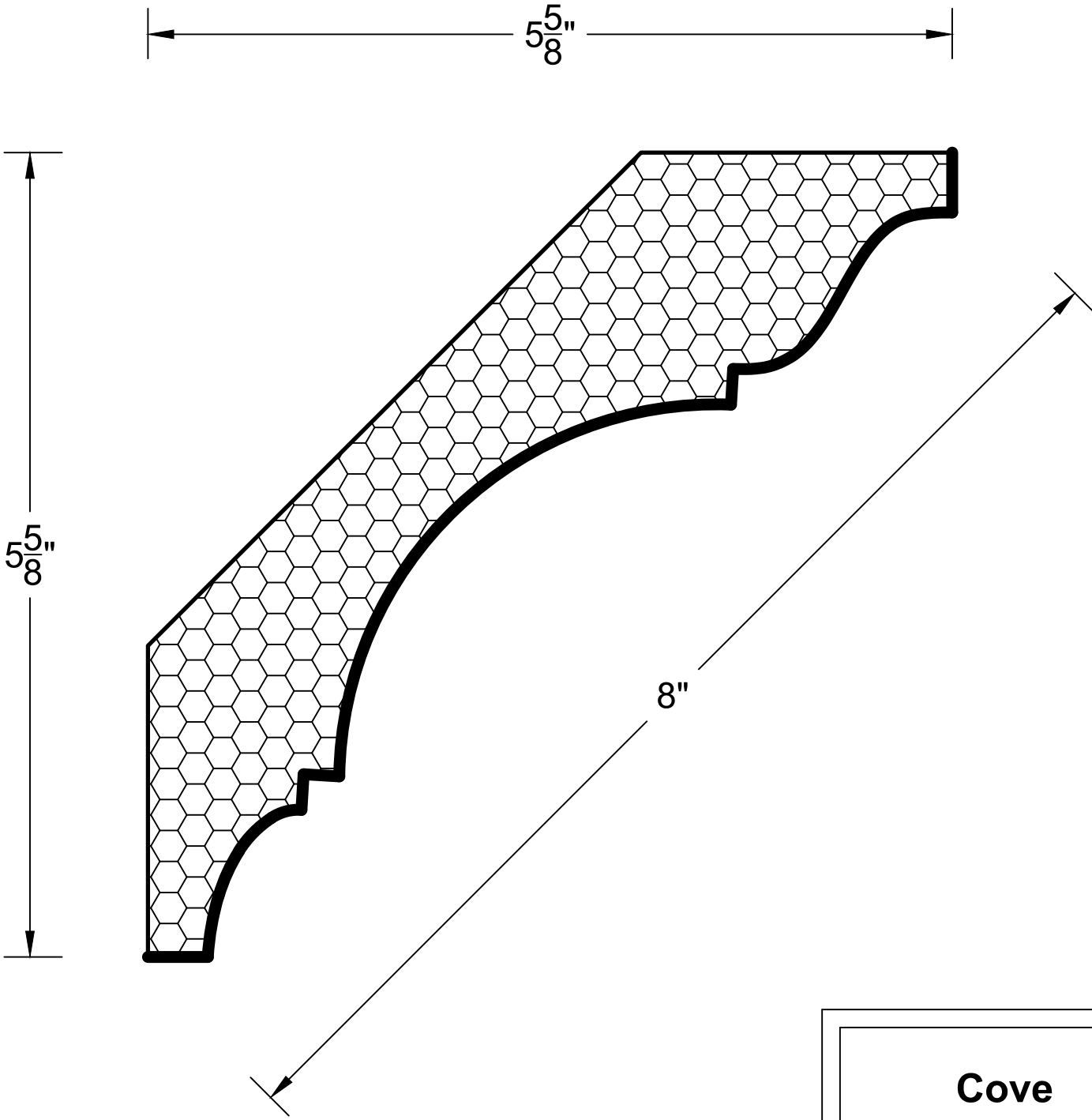
$4\frac{7}{8}$ "

$4\frac{7}{8}$ "

7"



Cove



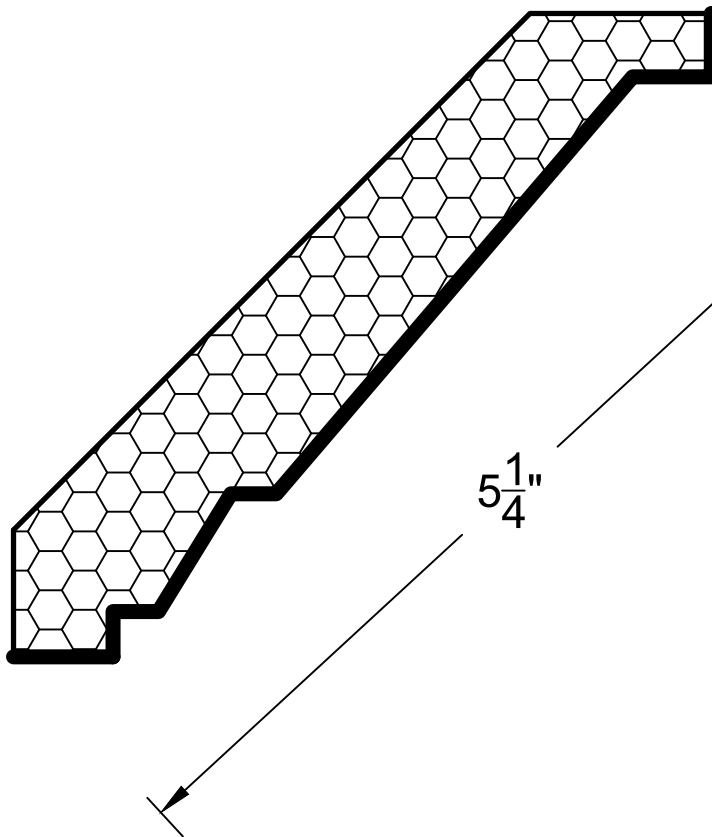
Cove

$3\frac{7}{8}$ "

$3\frac{1}{2}$ "

$5\frac{1}{4}$ "

Deco

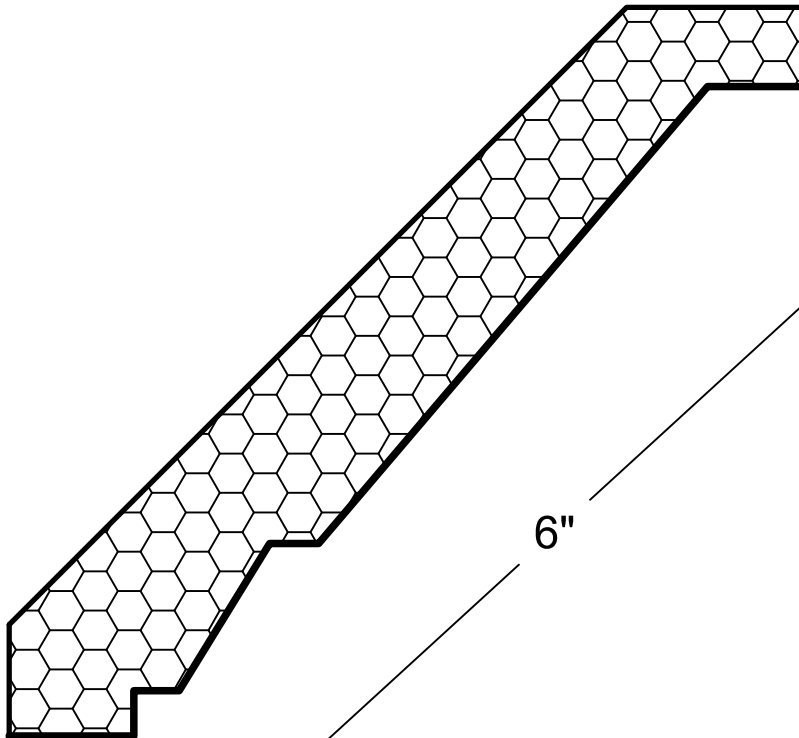


$4\frac{3}{8}"$

4"

6"

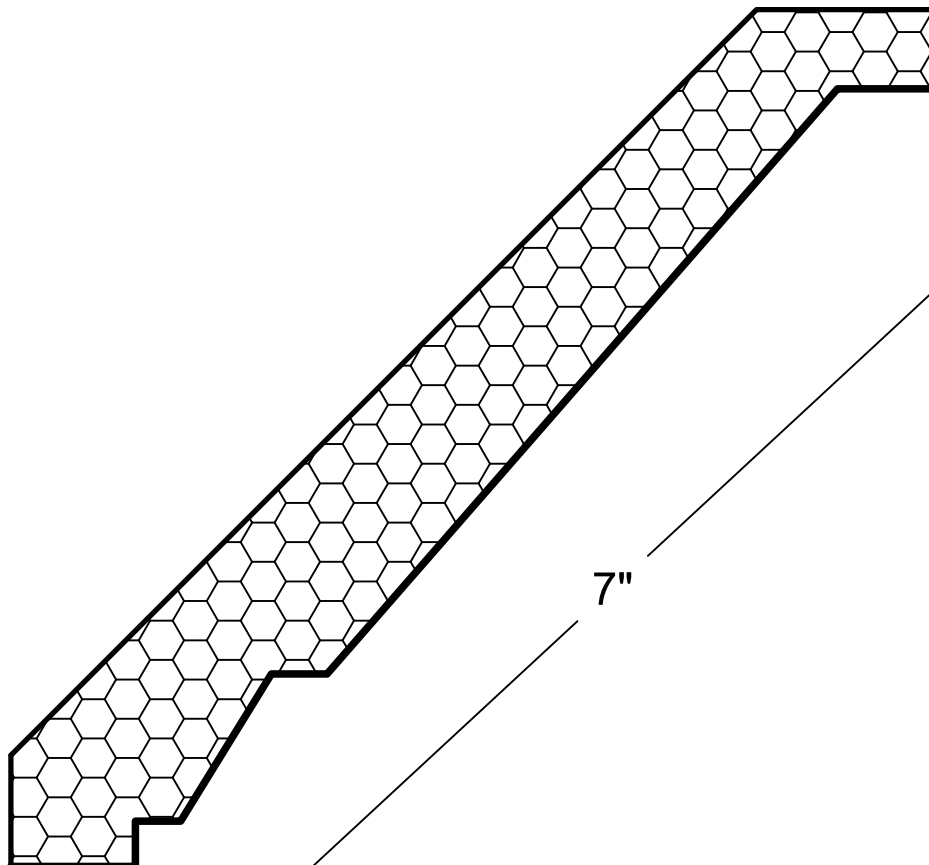
Deco



5 ¹/₈"

4 ³/₄"

7"

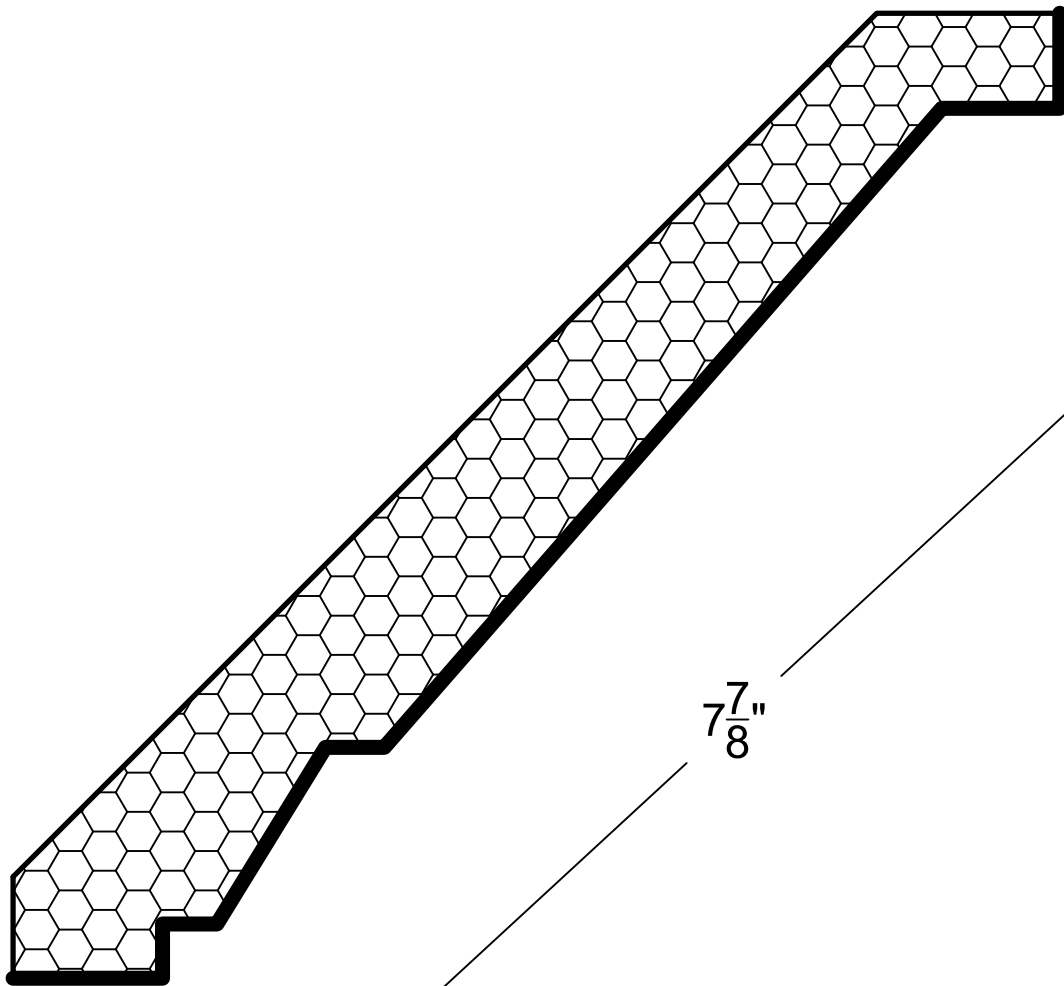


Deco

$5\frac{3}{4}$ "

$5\frac{3}{8}$ "

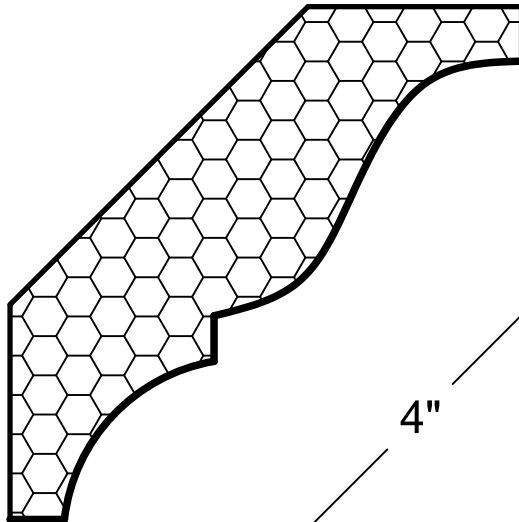
$7\frac{7}{8}$ "



Deco

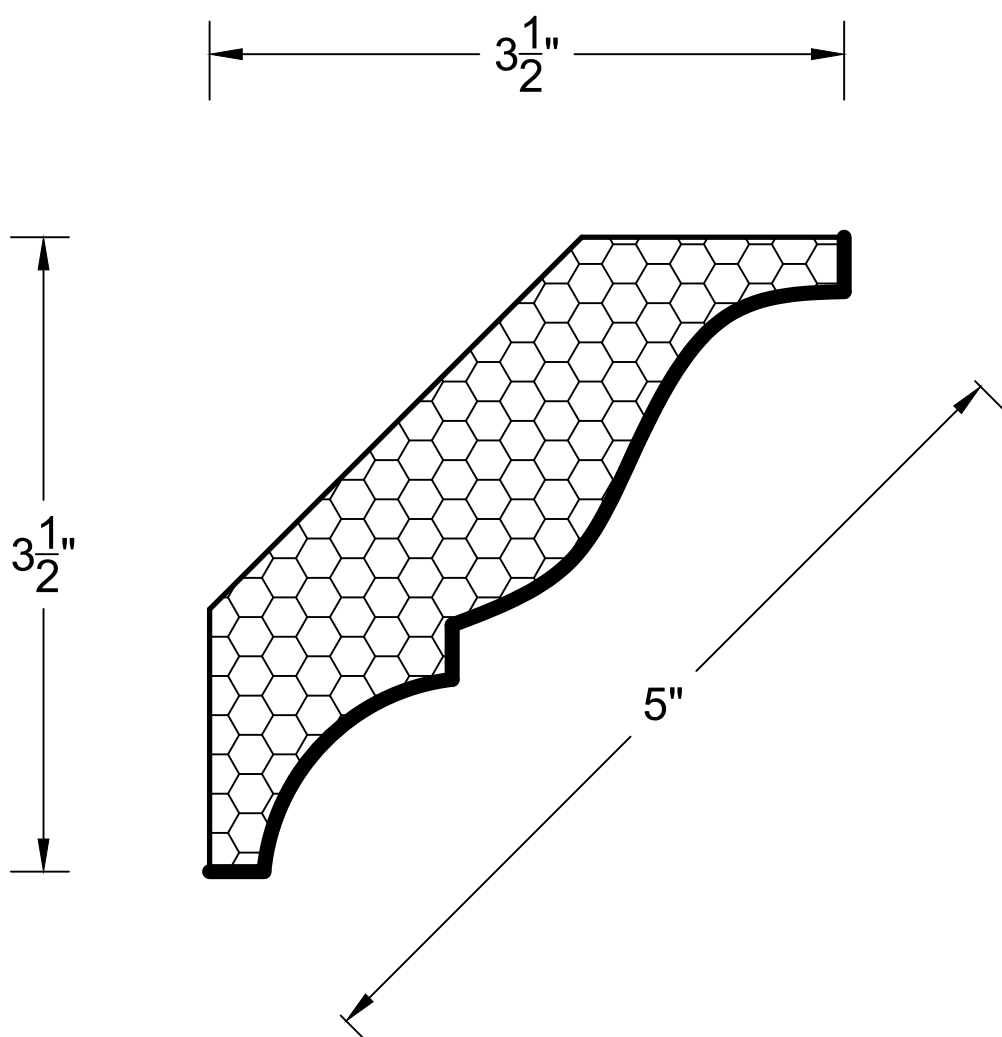
$2\frac{7}{8}$ "

$2\frac{7}{8}$ "

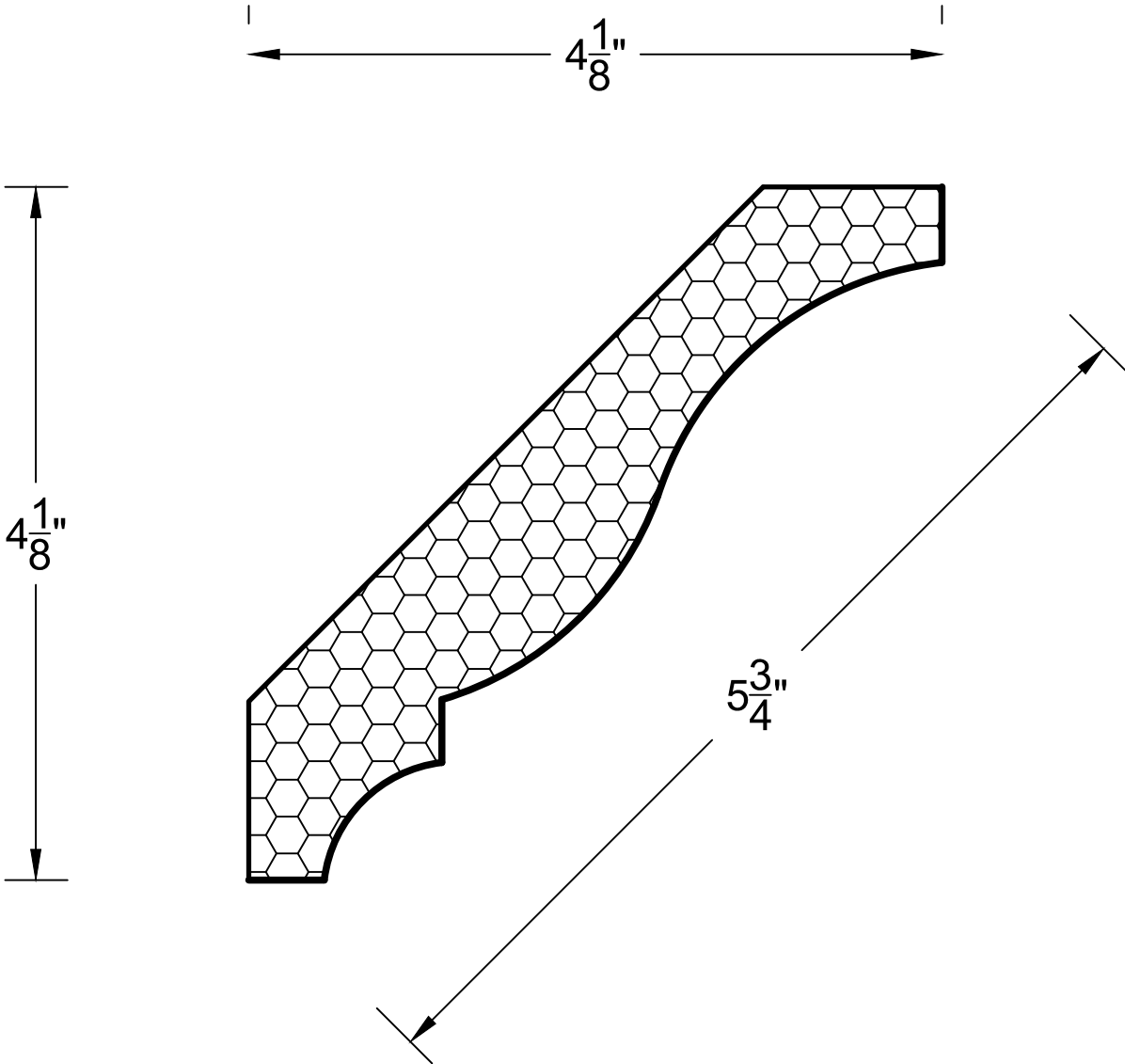


4"

Georgian



Georgian

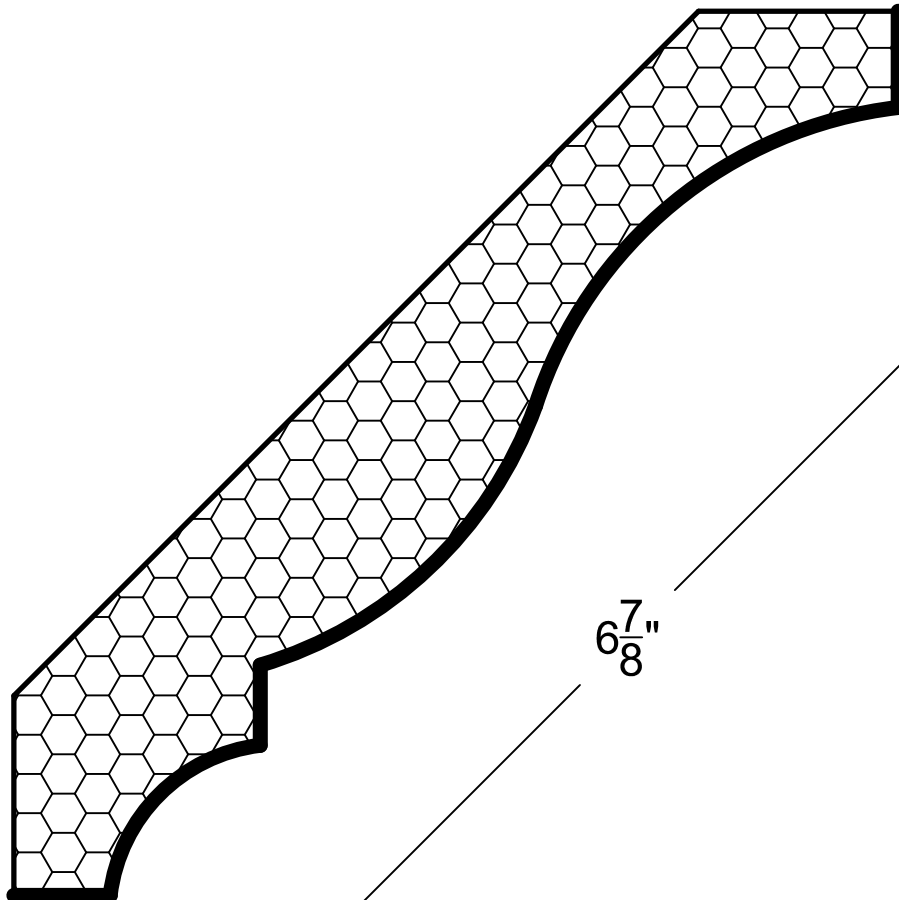


Georgian

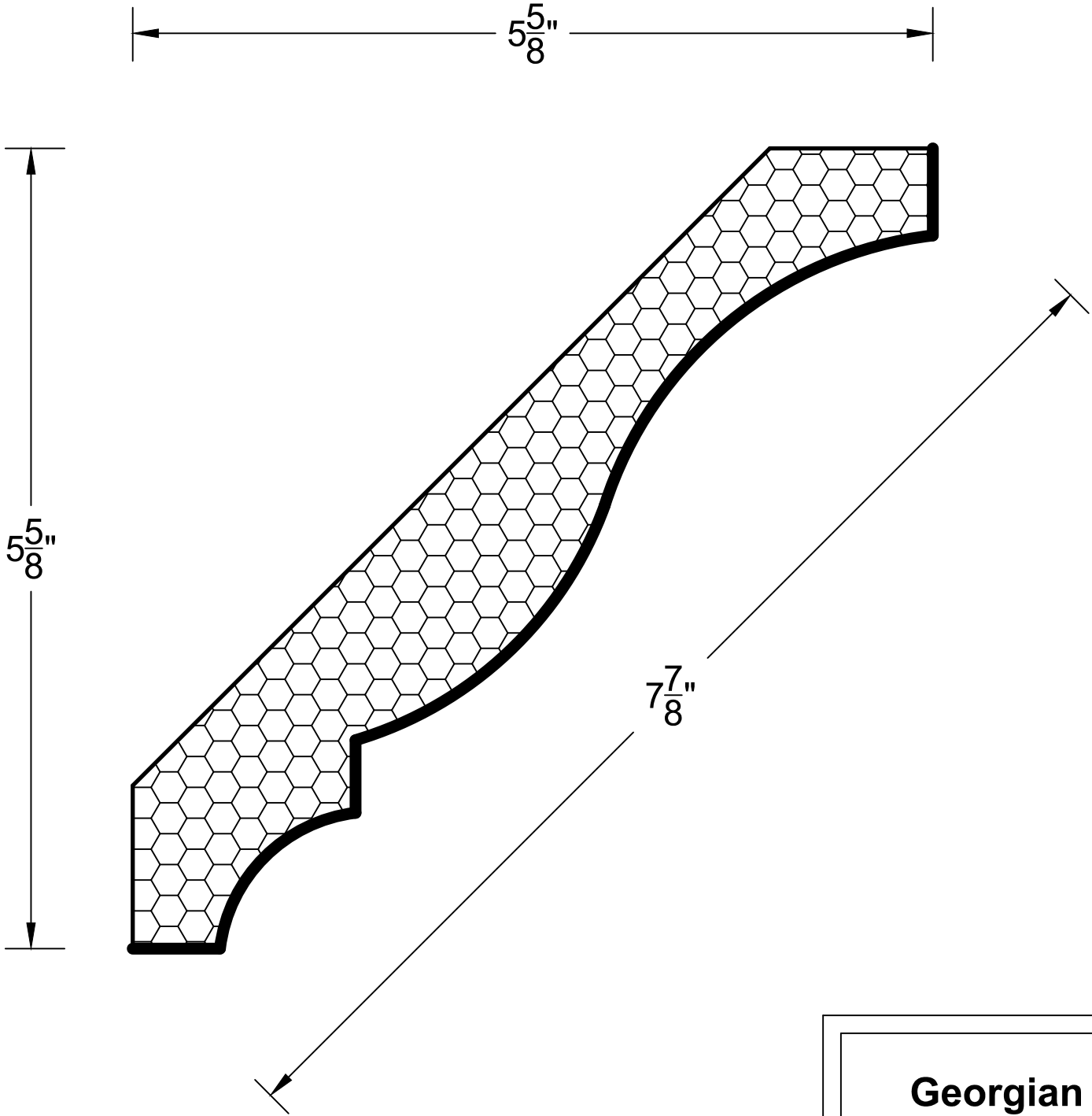
$4\frac{7}{8}$ "

$4\frac{7}{8}$ "

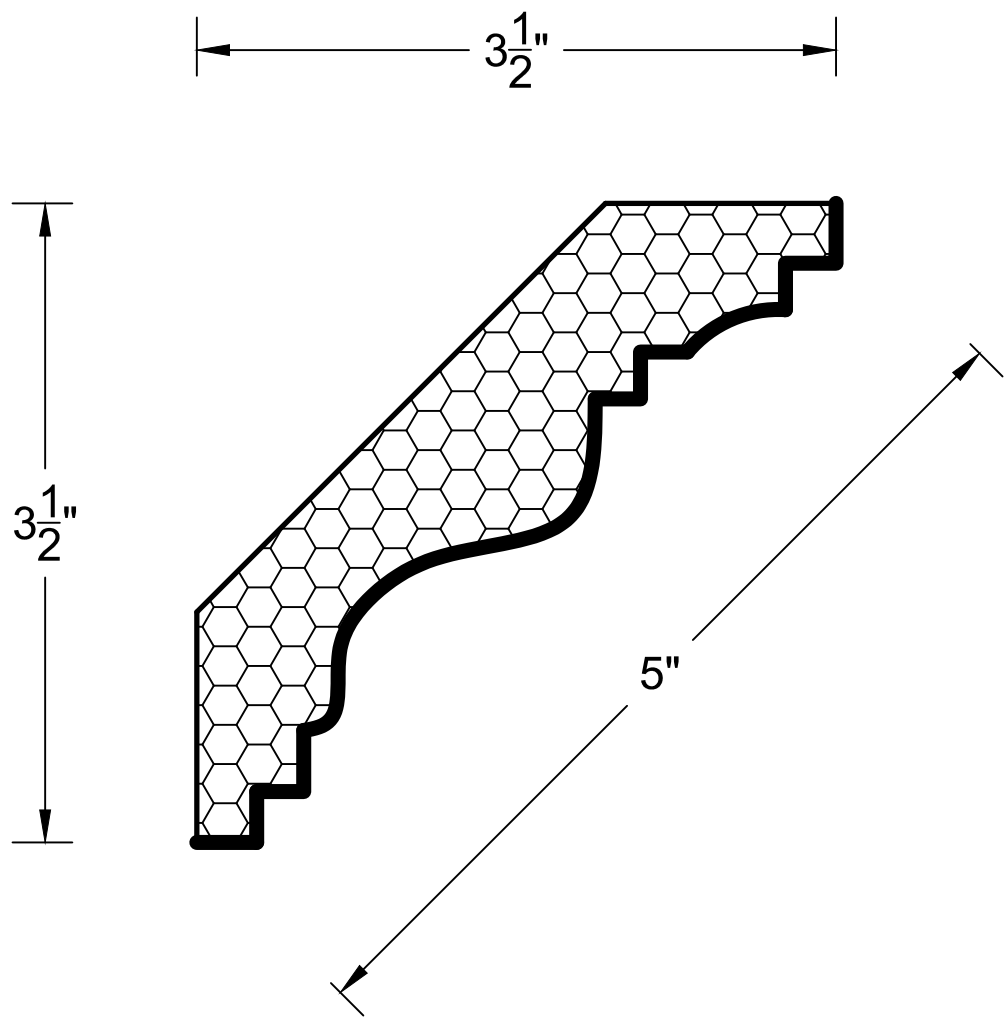
$6\frac{7}{8}$ "



Georgian



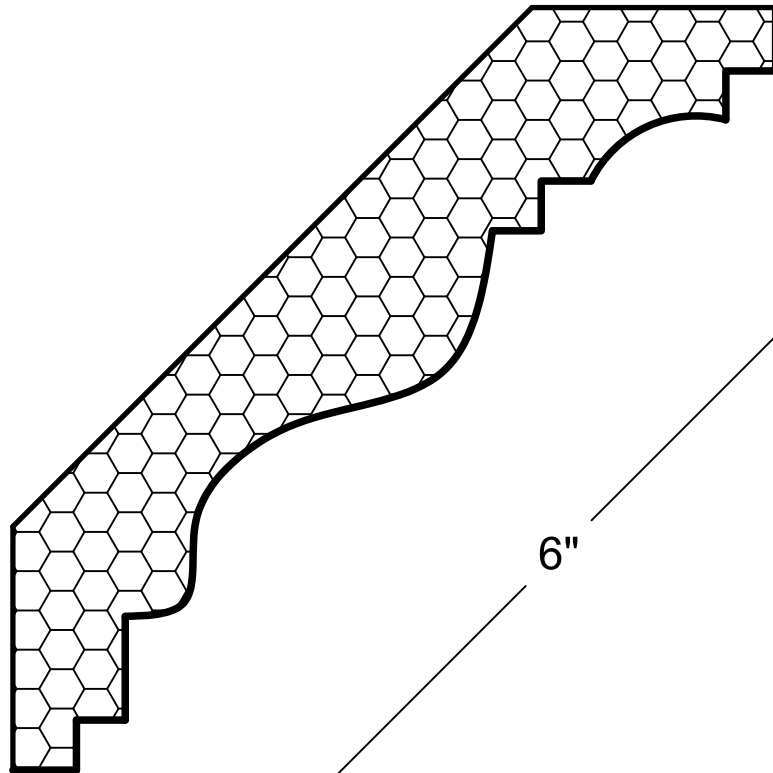
Georgian



Milan

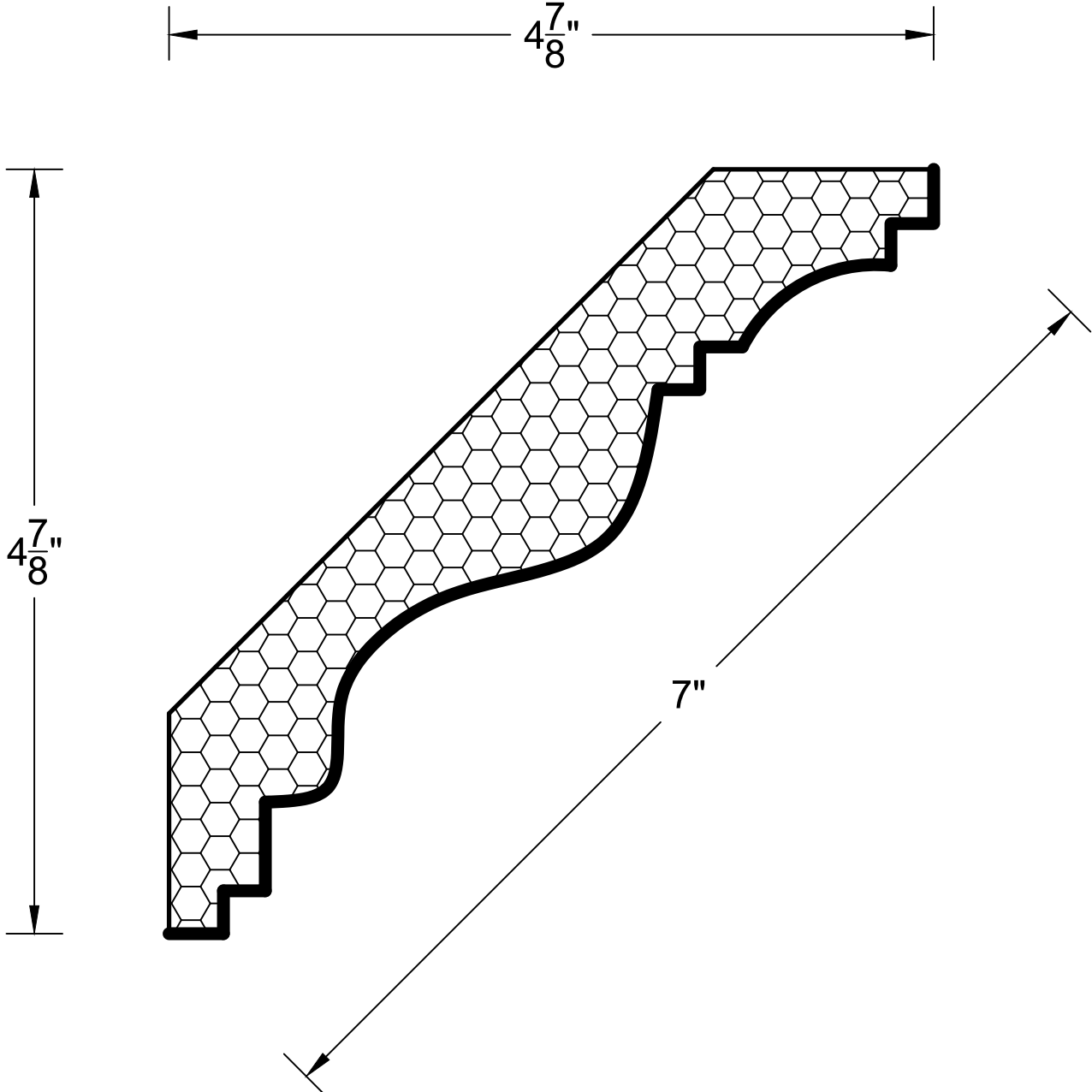
4 ¹/₄"

4 ¹/₄"

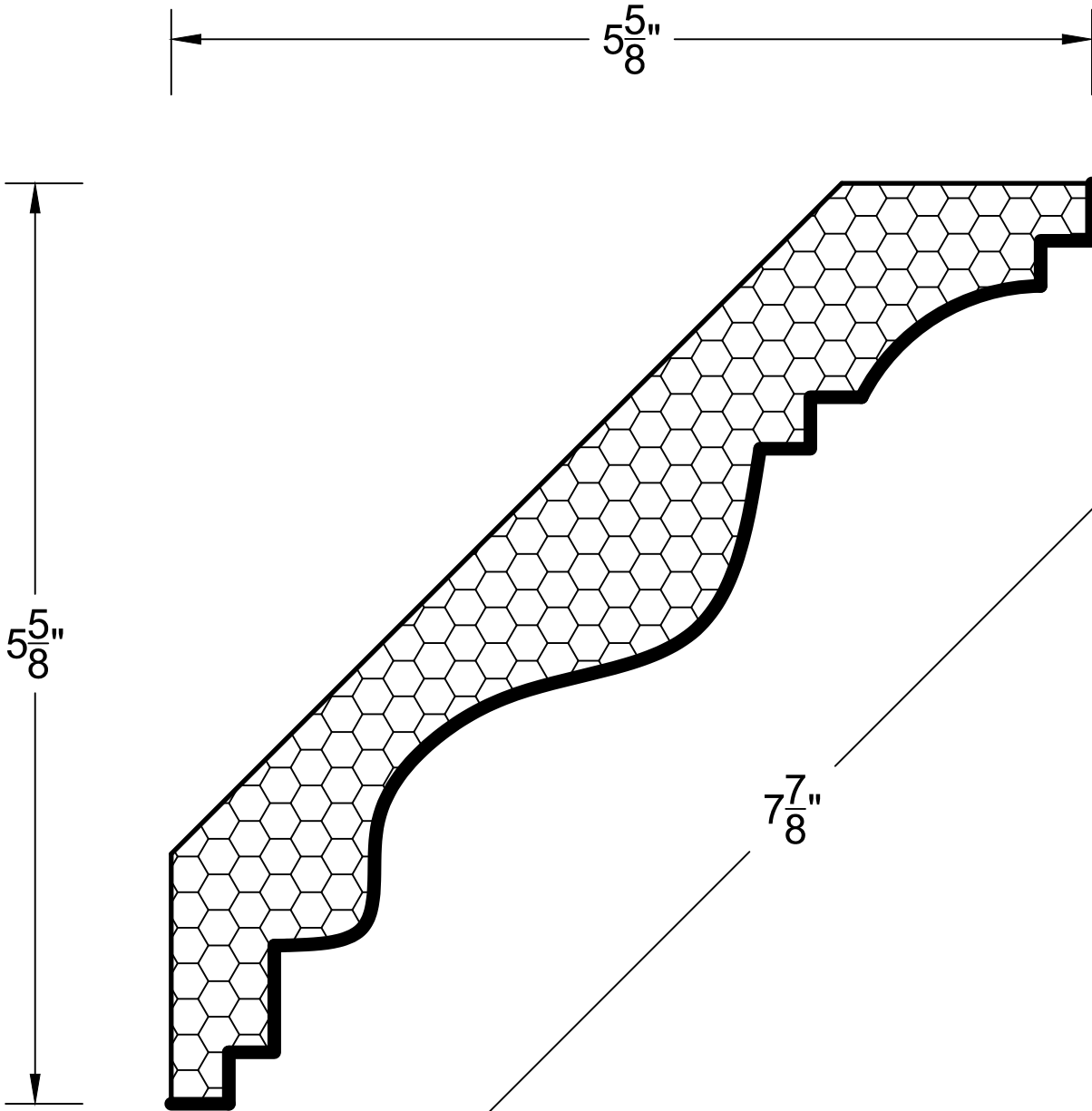


6"

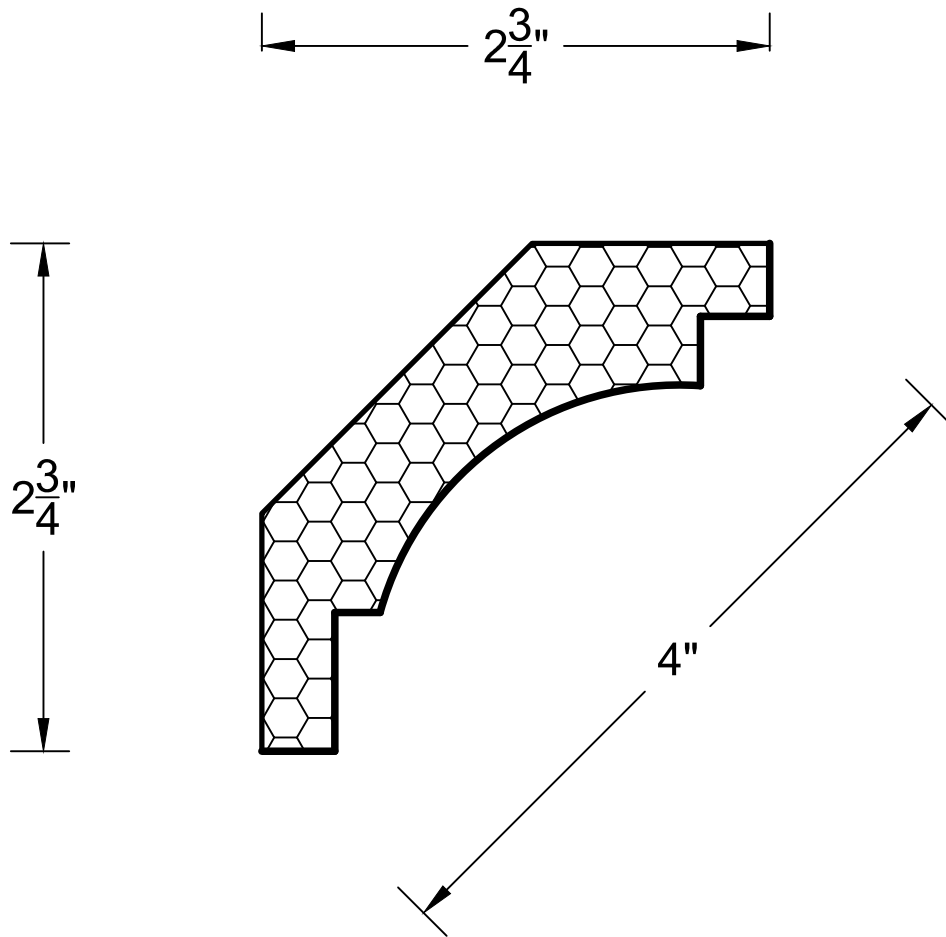
Milan



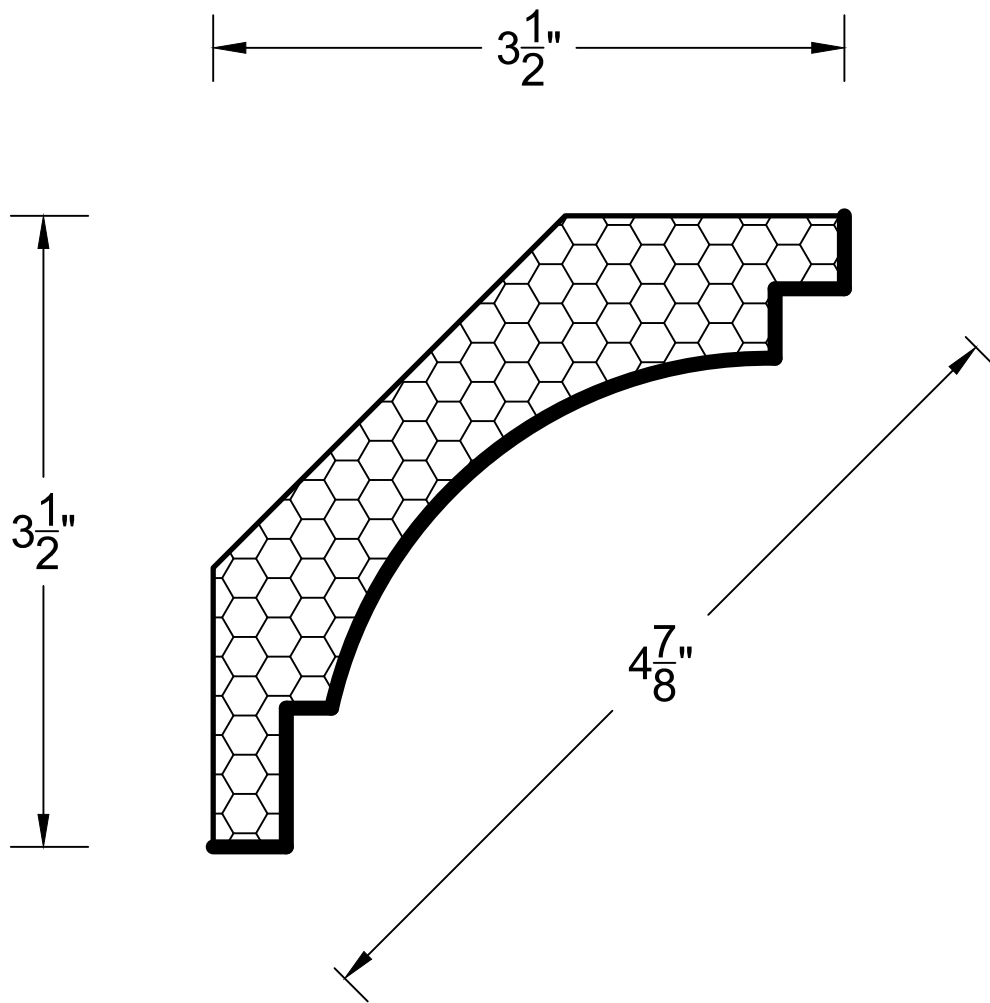
Milan



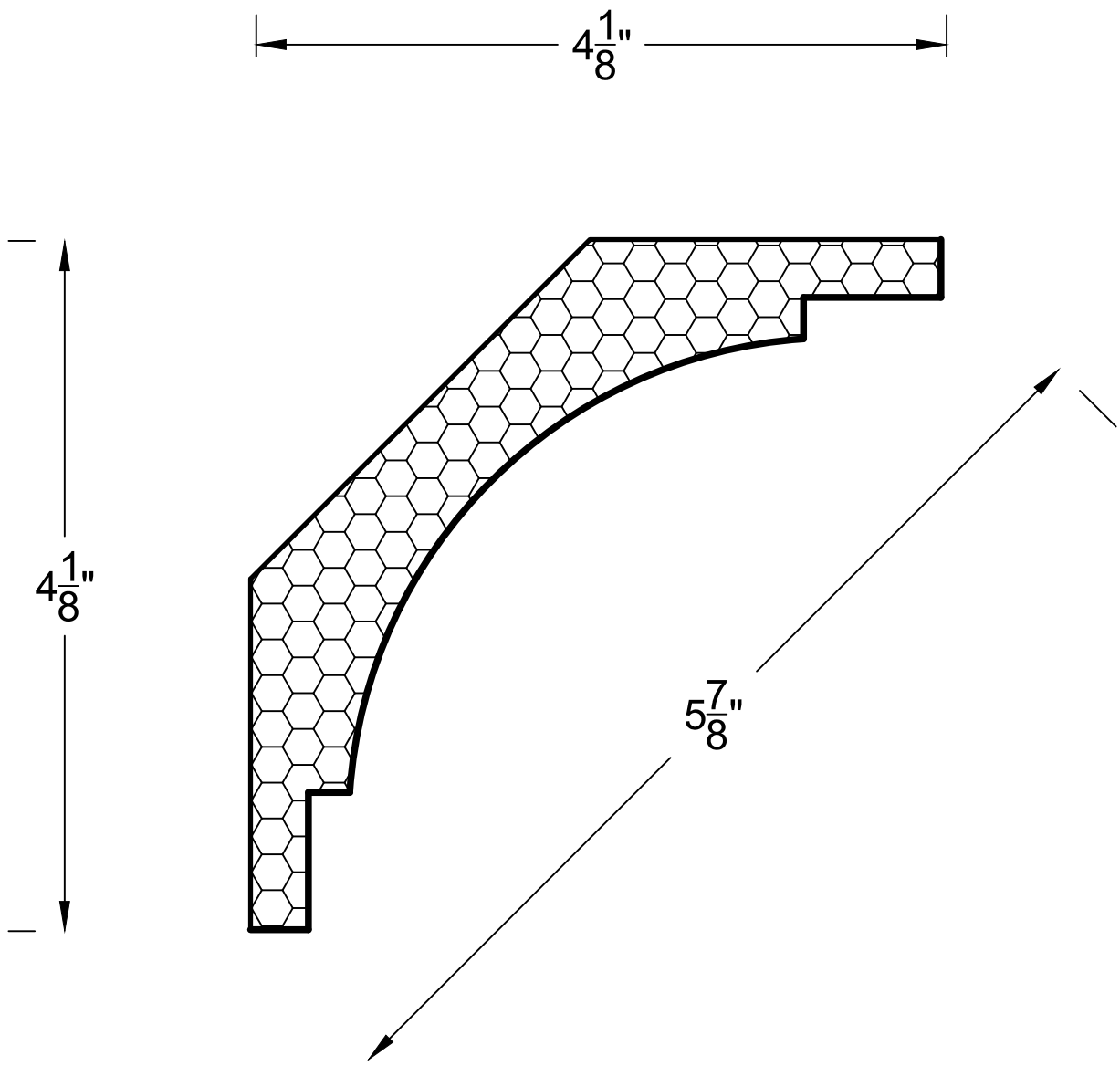
Milan



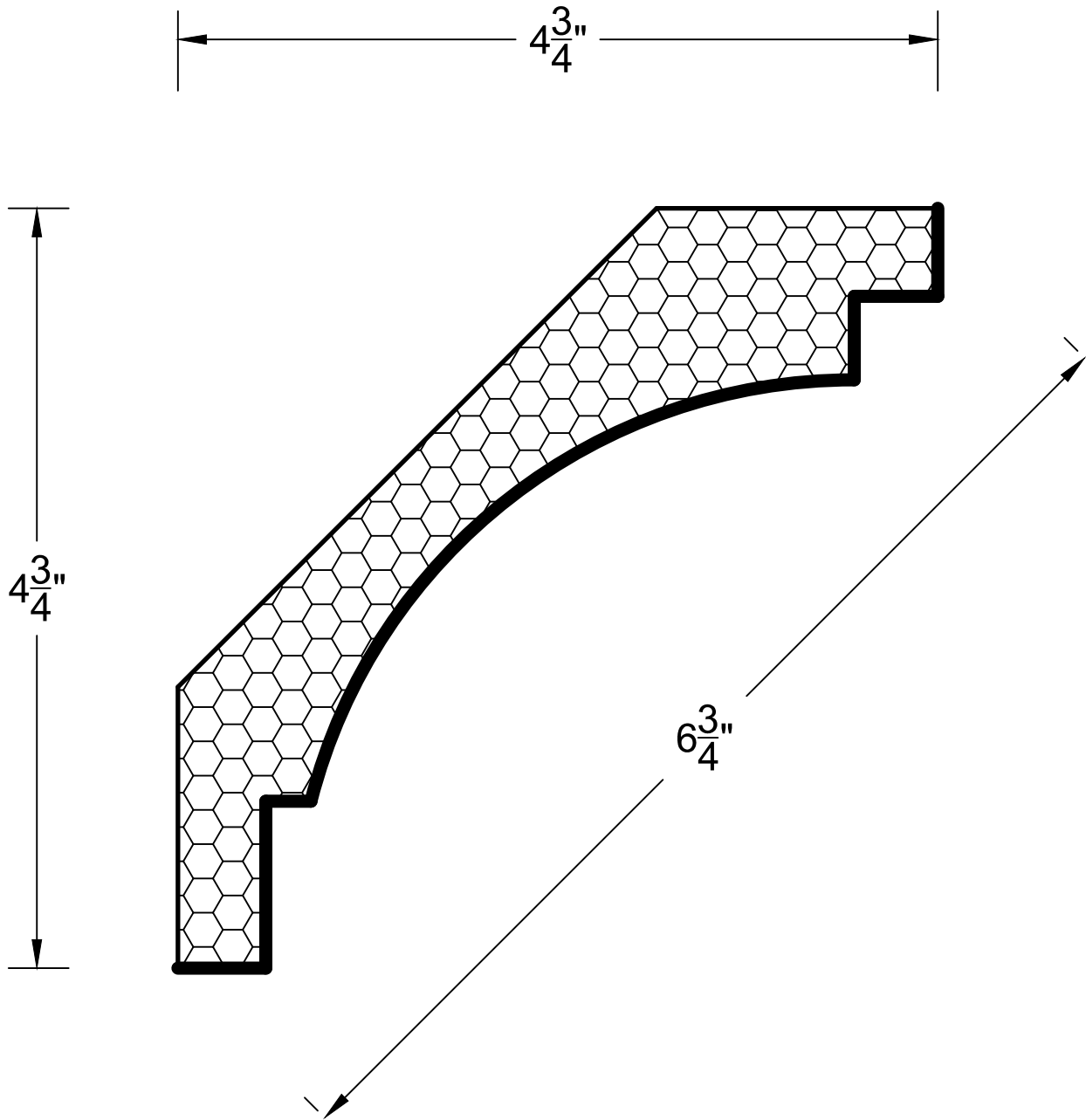
One Step Cove



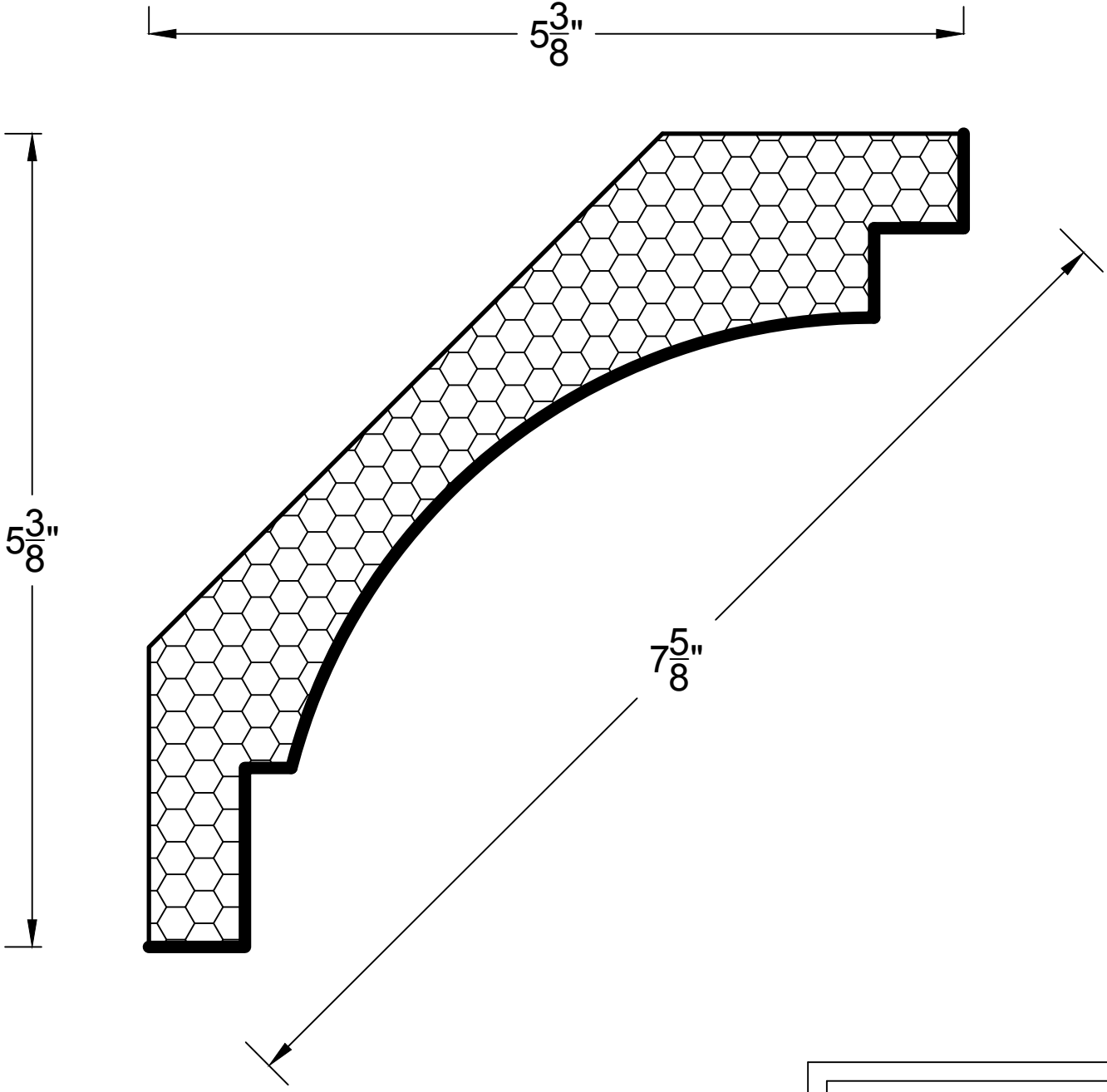
One Step Cove



One Step Cove



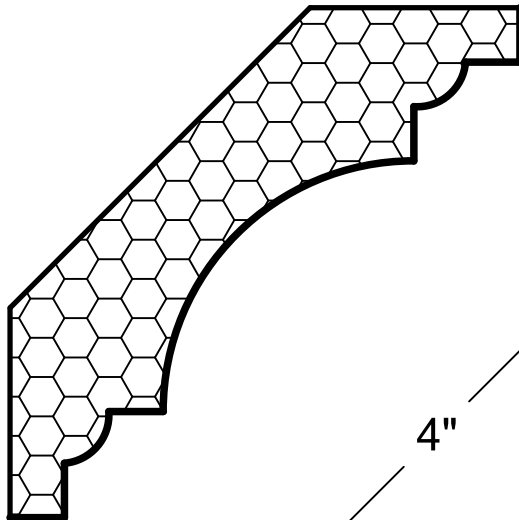
One Step Cove



One Step Cove

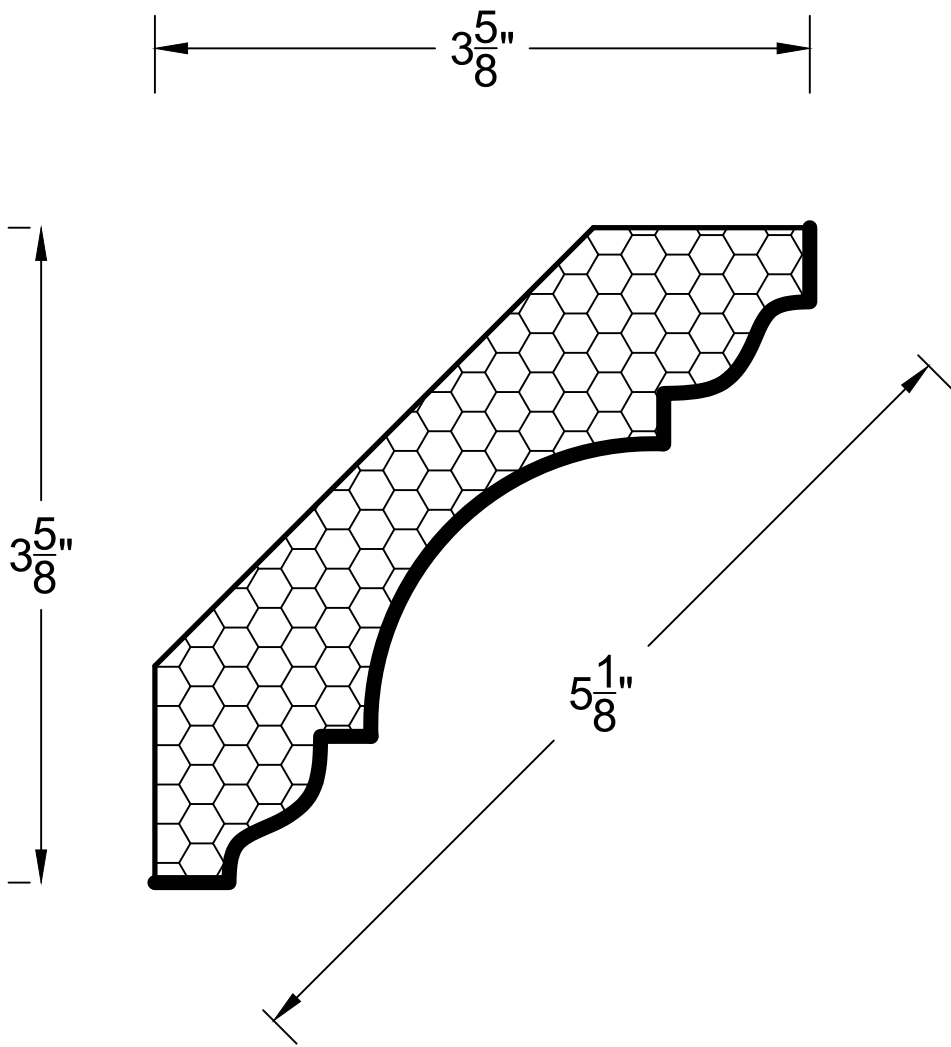
$2\frac{7}{8}"$

$2\frac{7}{8}"$

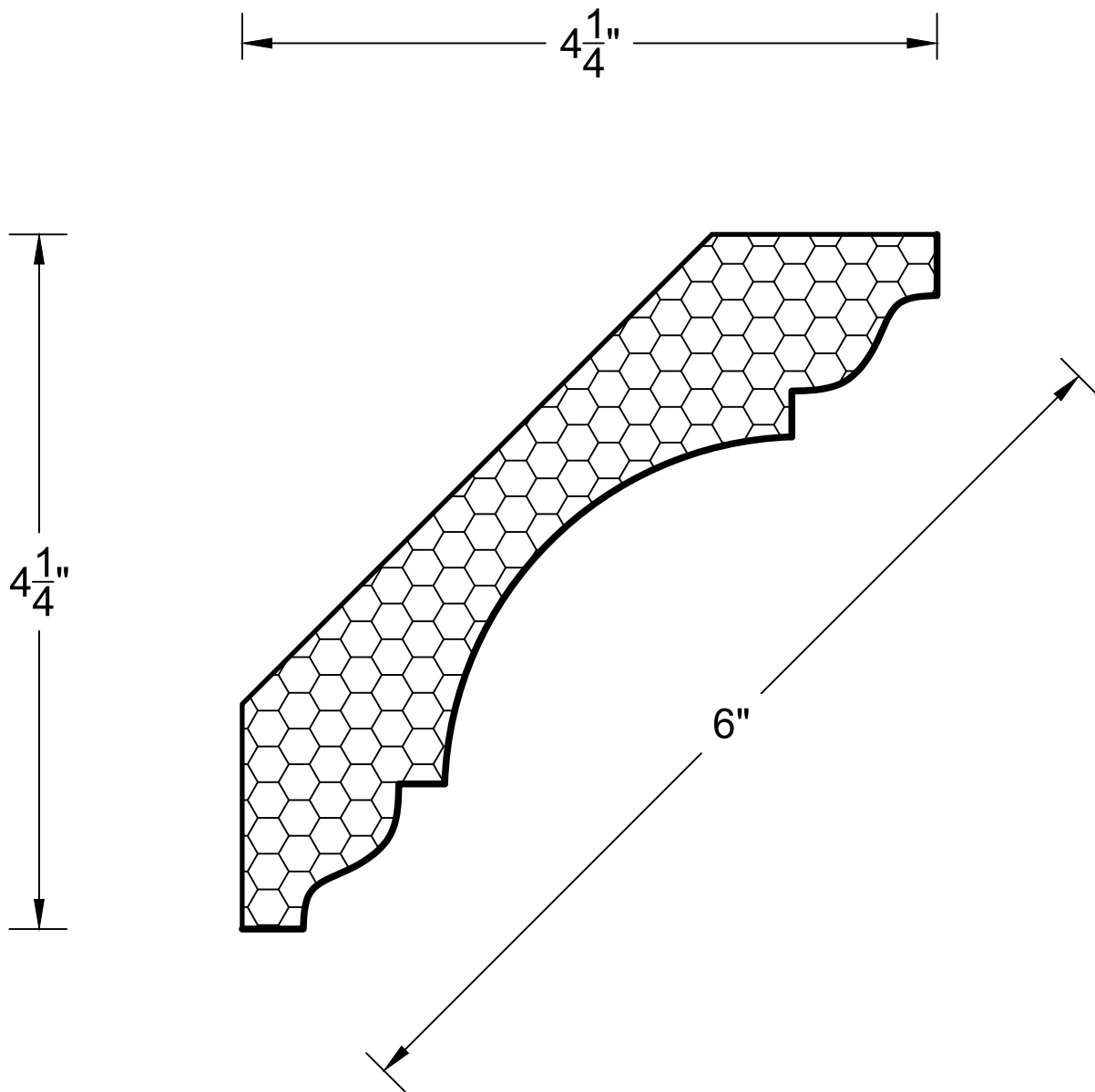


4"

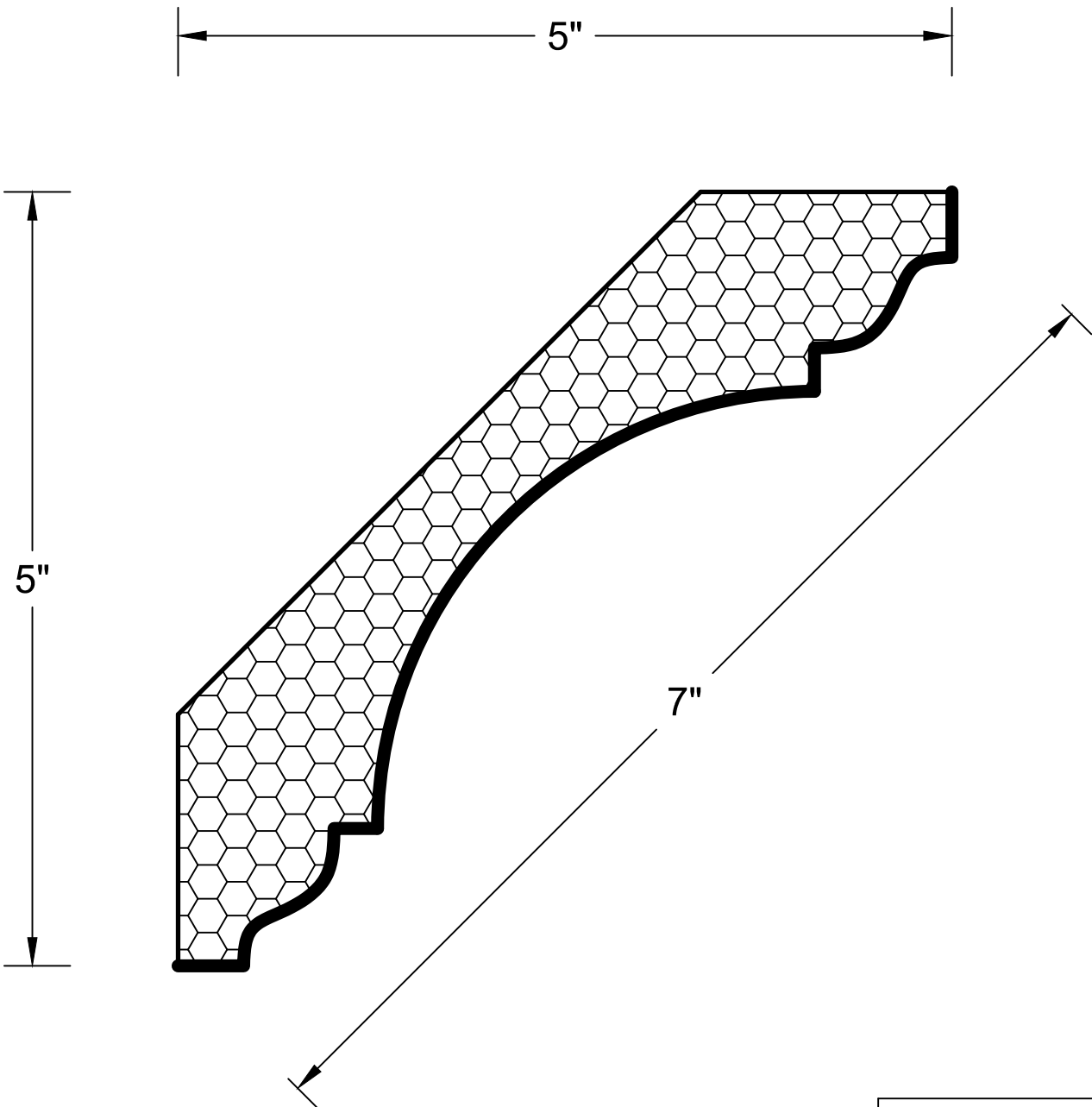
Symmetrical



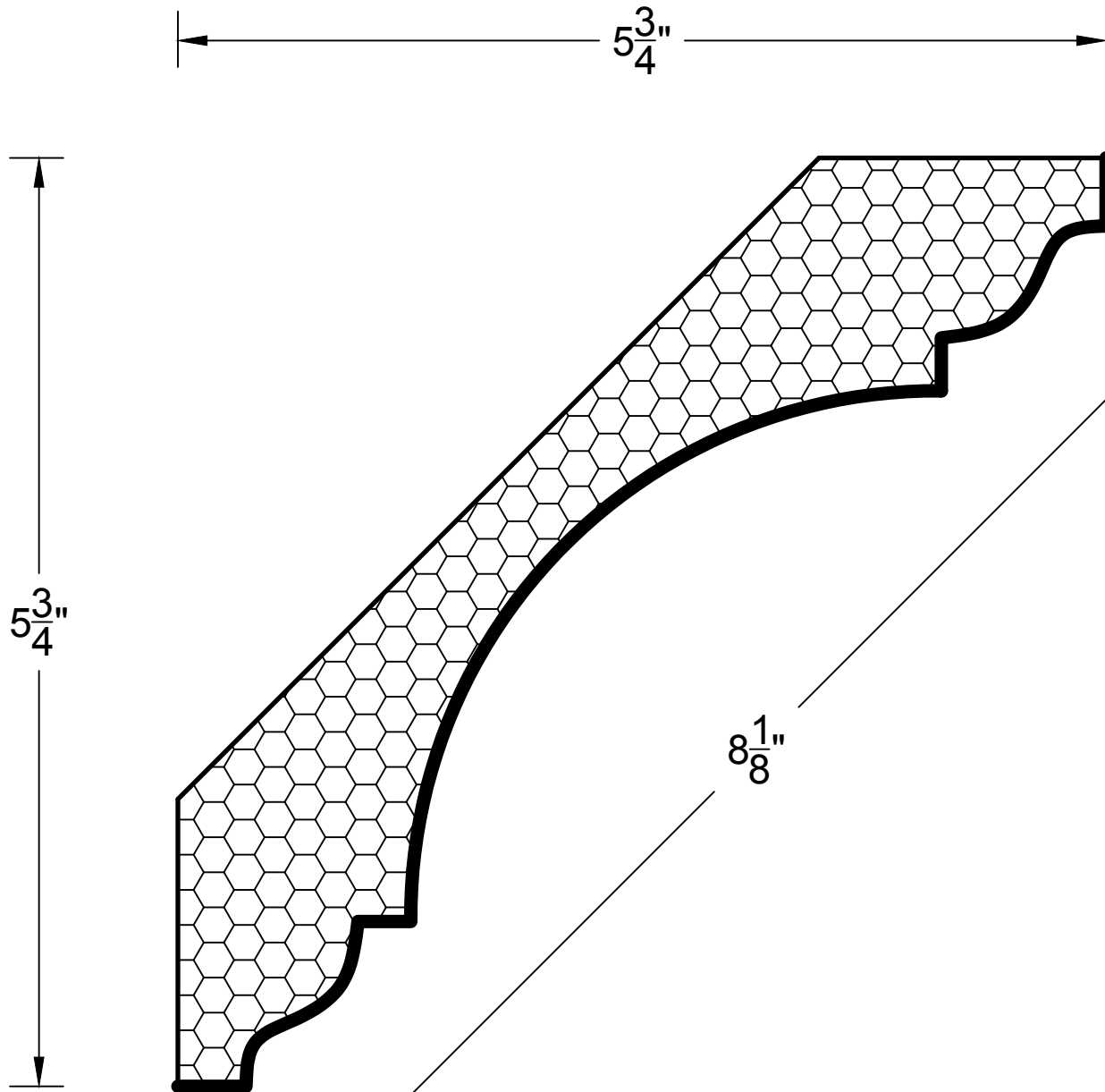
Symmetrical



Symmetrical



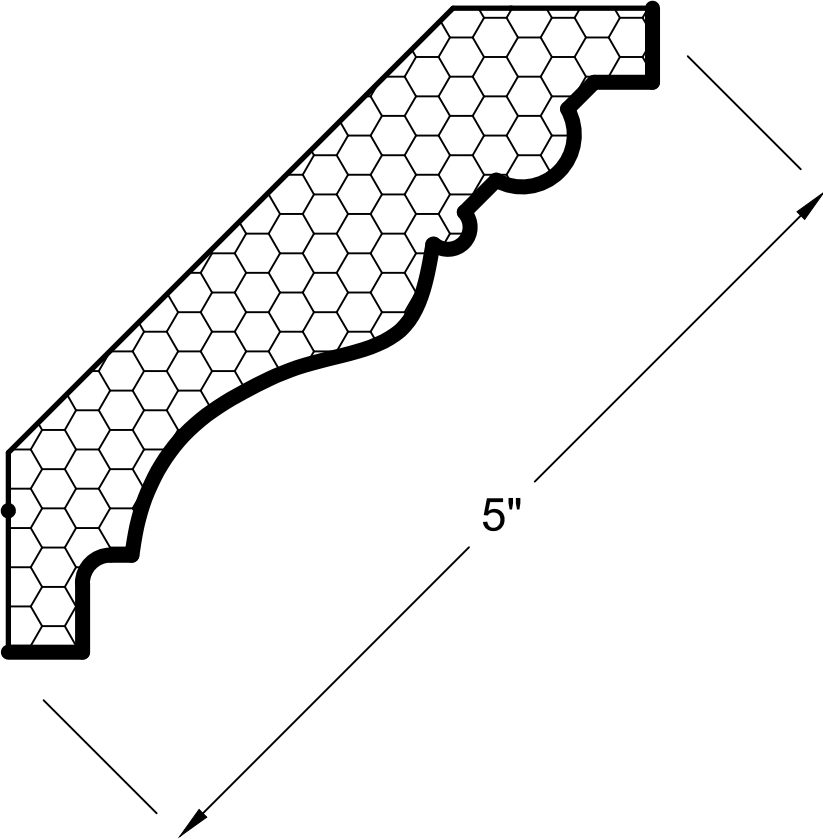
Symmetrical



Symmetrical

3 1/2"

3 1/2"

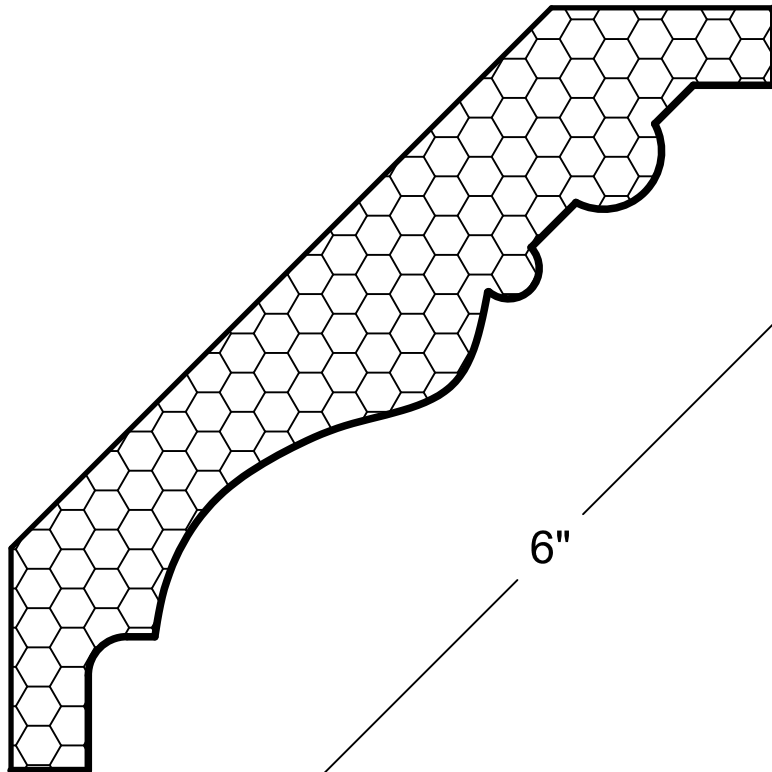


5"

Tuscany

4 ¹/₄"

4 ¹/₄"



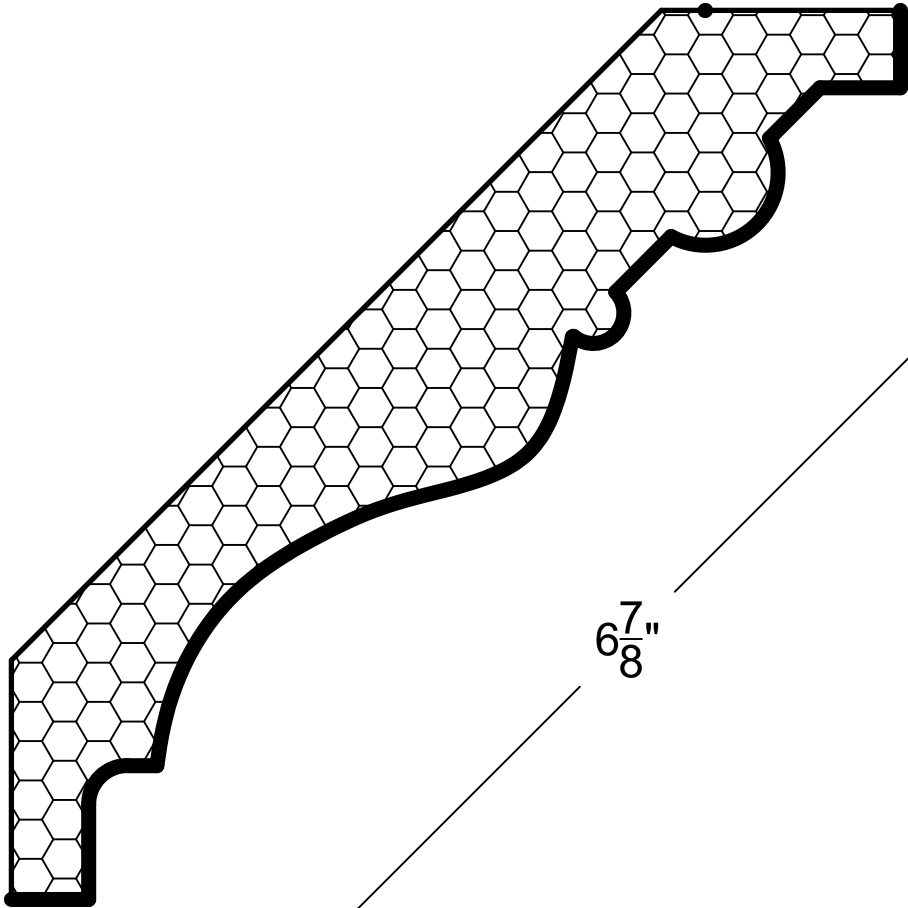
6"

Tuscany

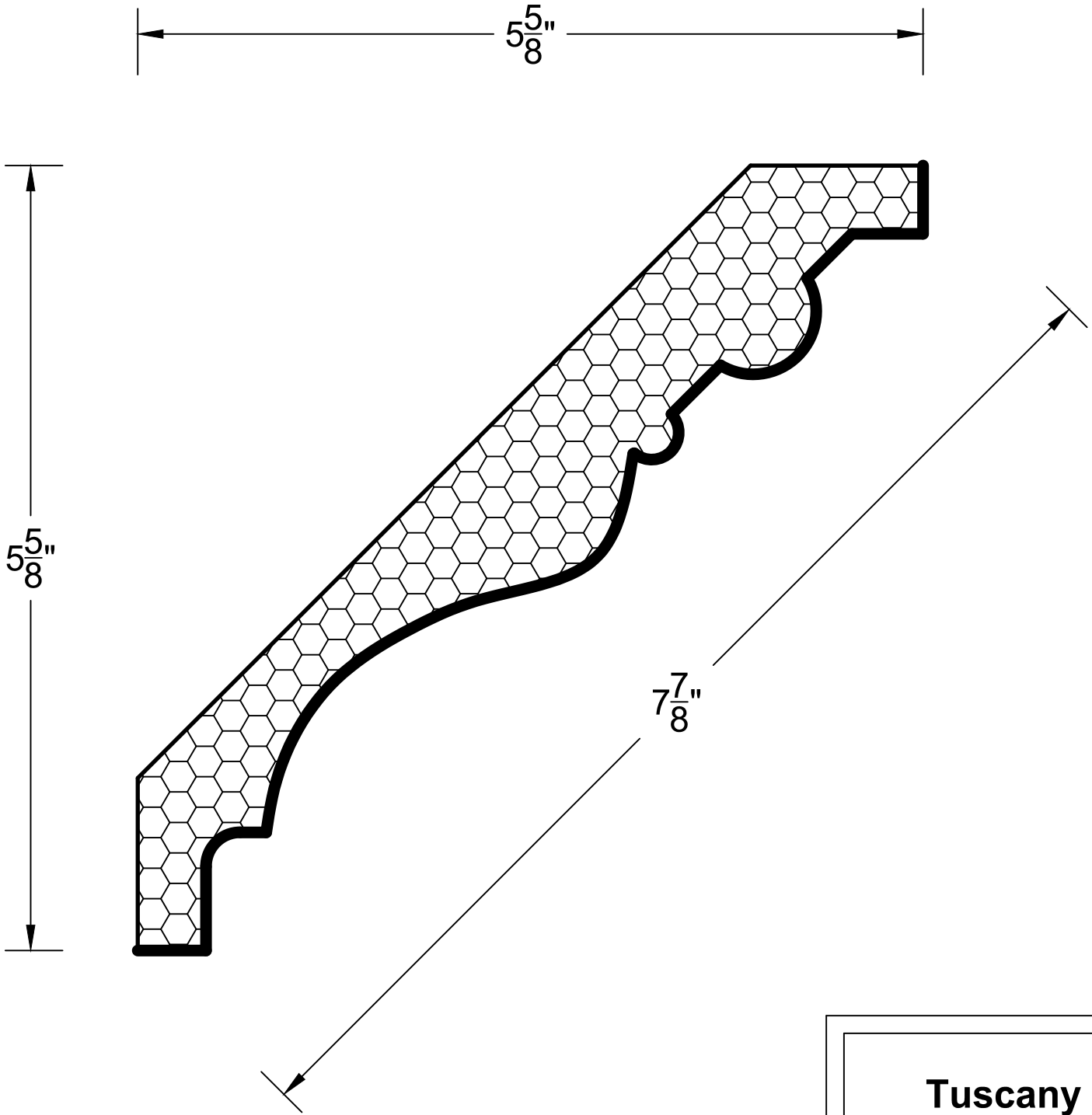
$4\frac{7}{8}"$

$4\frac{7}{8}"$

$6\frac{7}{8}"$



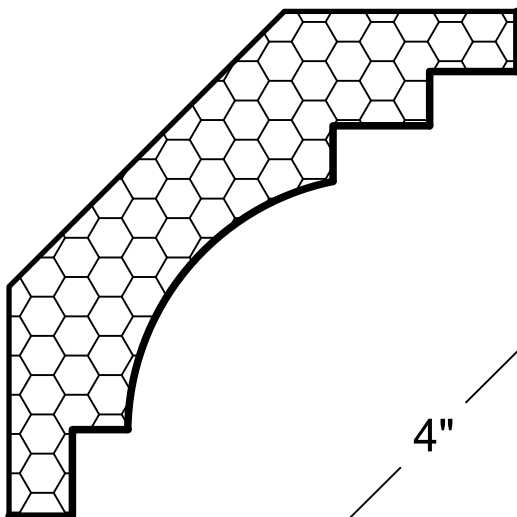
Tuscany



Tuscany

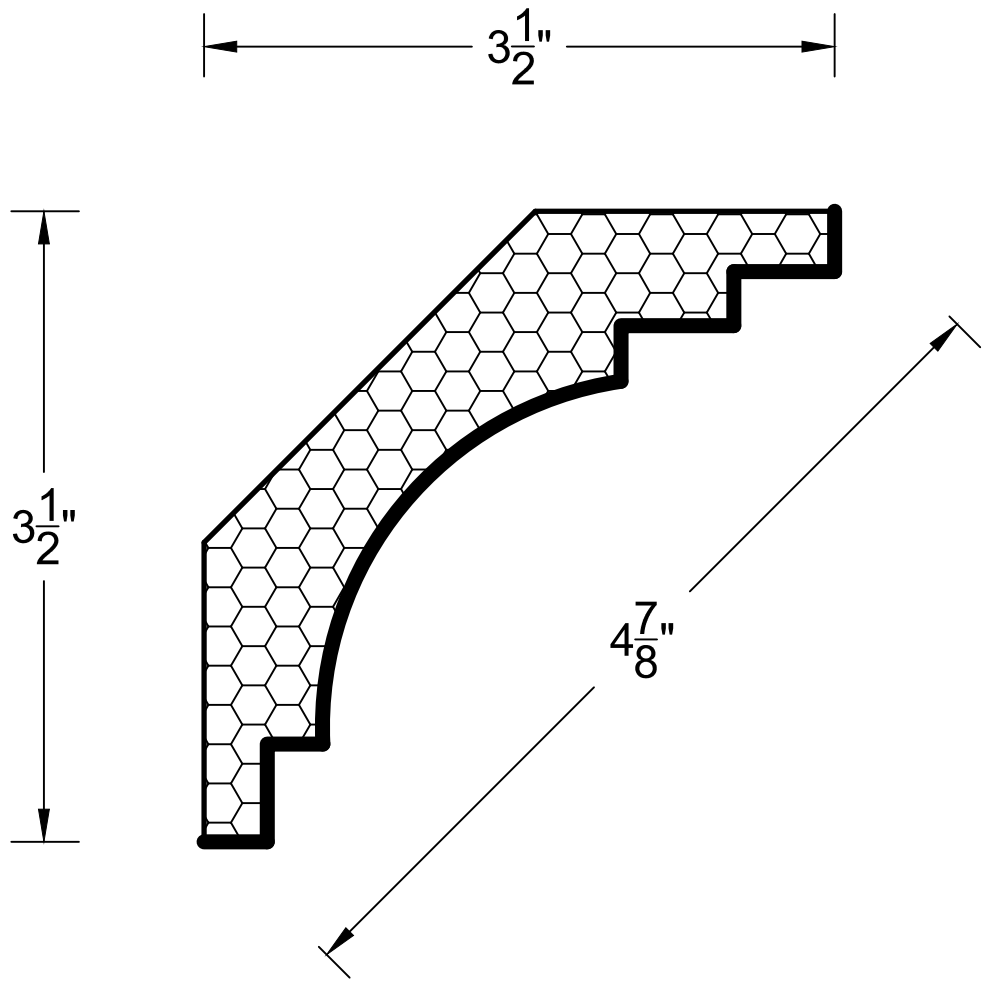
2 $\frac{3}{4}$ "

2 $\frac{3}{4}$ "

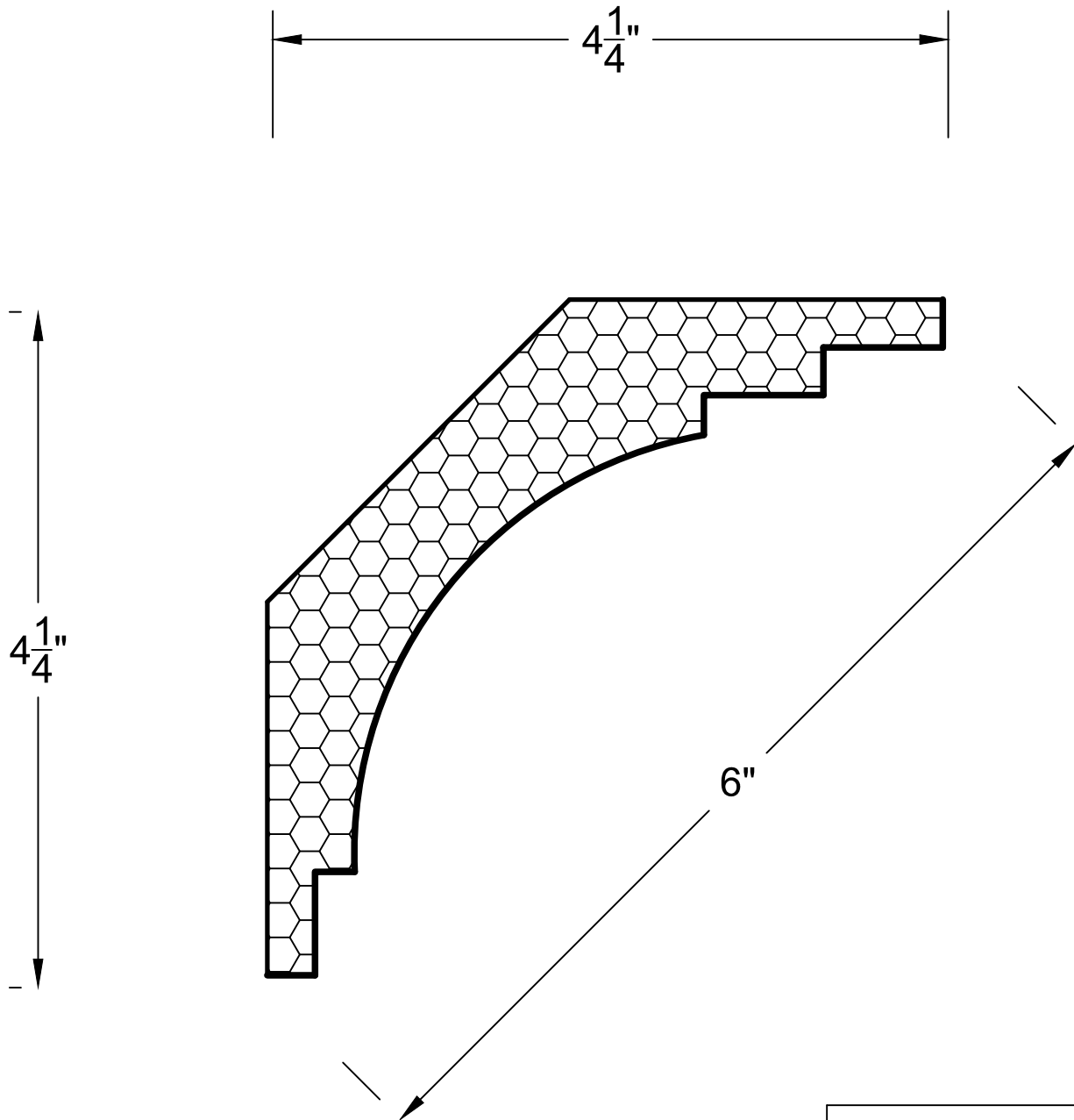


4"

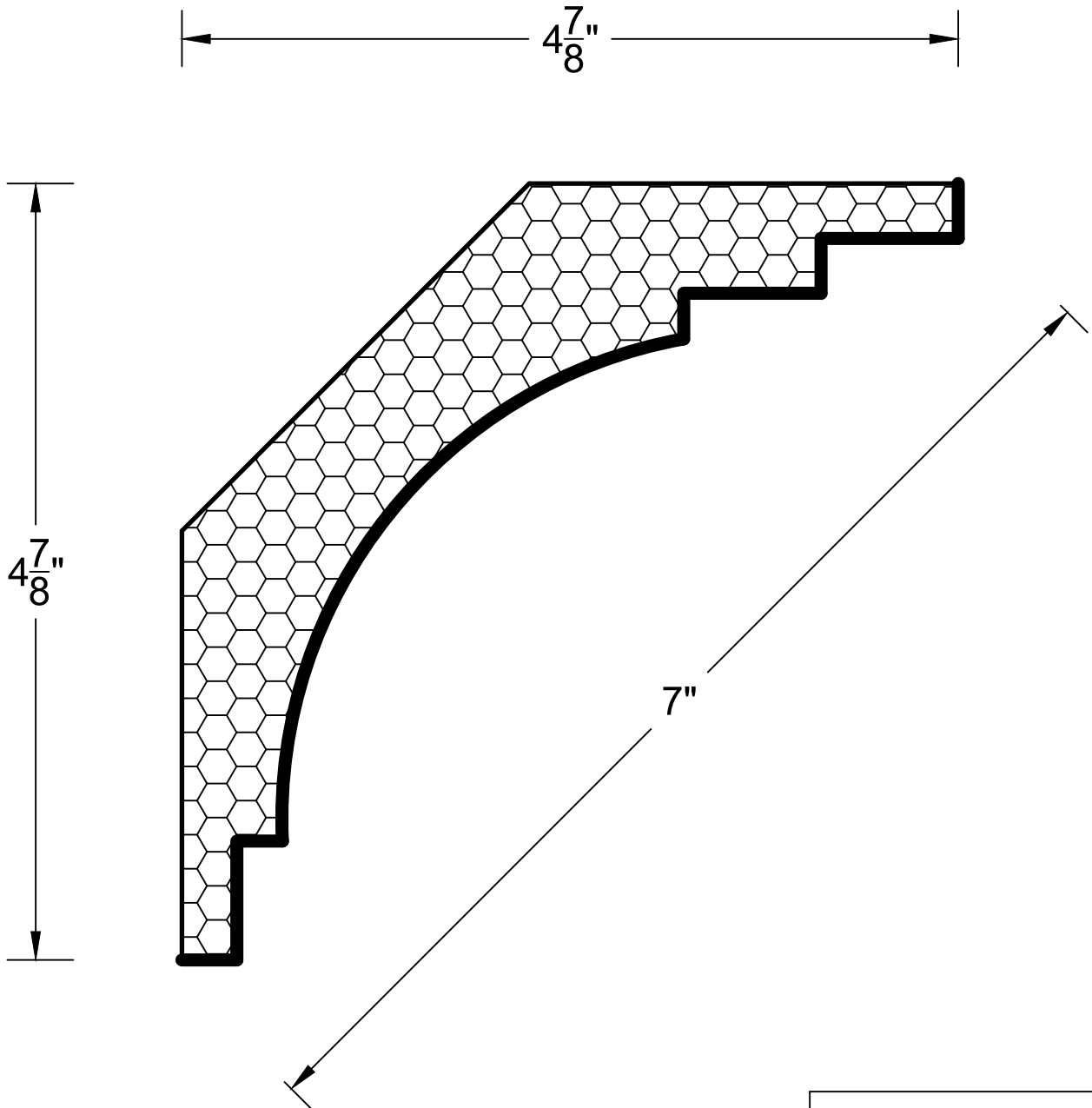
Two Steps Cove



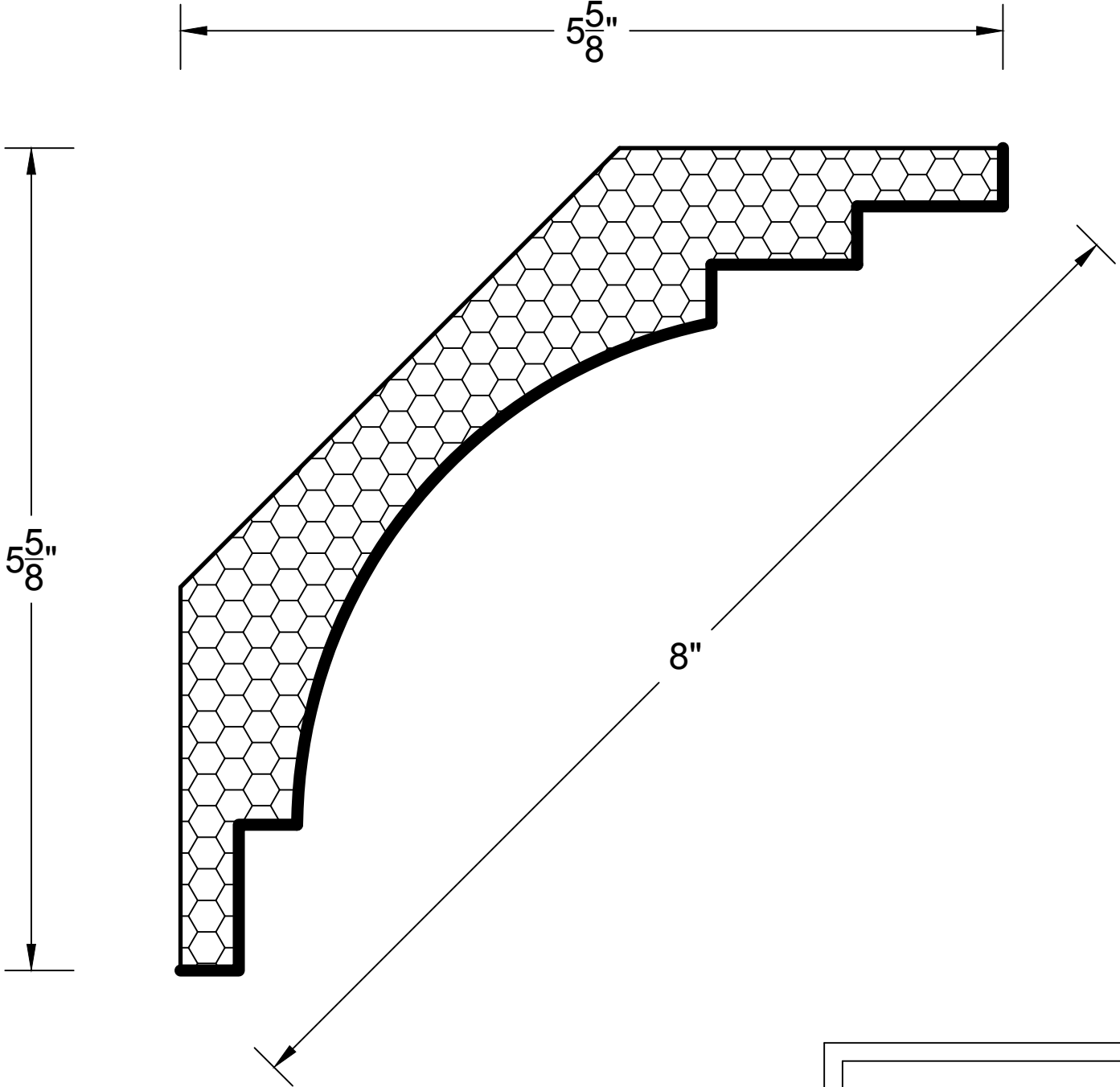
Two Steps Cove



Two Steps Cove



Two Steps Cove



Two Steps Cove