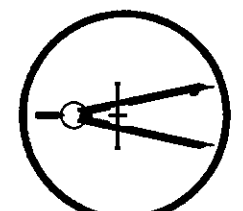


ROOF FRAMING PLAN

- *MATCH EXIST O.H.
- *TIGHTEN NEW STORM WATER DISCHARGE TO EXIST. W/ 4" PVC. FINAL DISCHARGE TO BE EXIST.
- *PROVIDE MIN 22" X 30" ATTIC ACCESS FROM EXIST TO NEW.
- *PROVIDE CONTN. RIDGE VENT (EXIST & NEW).
- *PROVIDE (3/2" # HOLES VENTED BLK (EVERY OTHER TRUSS SPACE
- *PROVIDE PRE-MANUF TRUSSES (2x6 @ 24" O.C.)
- *TYP HOR TO BE 6X10 DF #2 (EXT./K) OR IRON (INTERIOR)

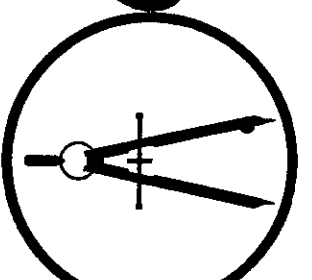
SKOGLUND HOME DESIGN
 "A Better Plan Makes A Better Home"



425-802-8878
 skoglundhomedesign@gmail.com

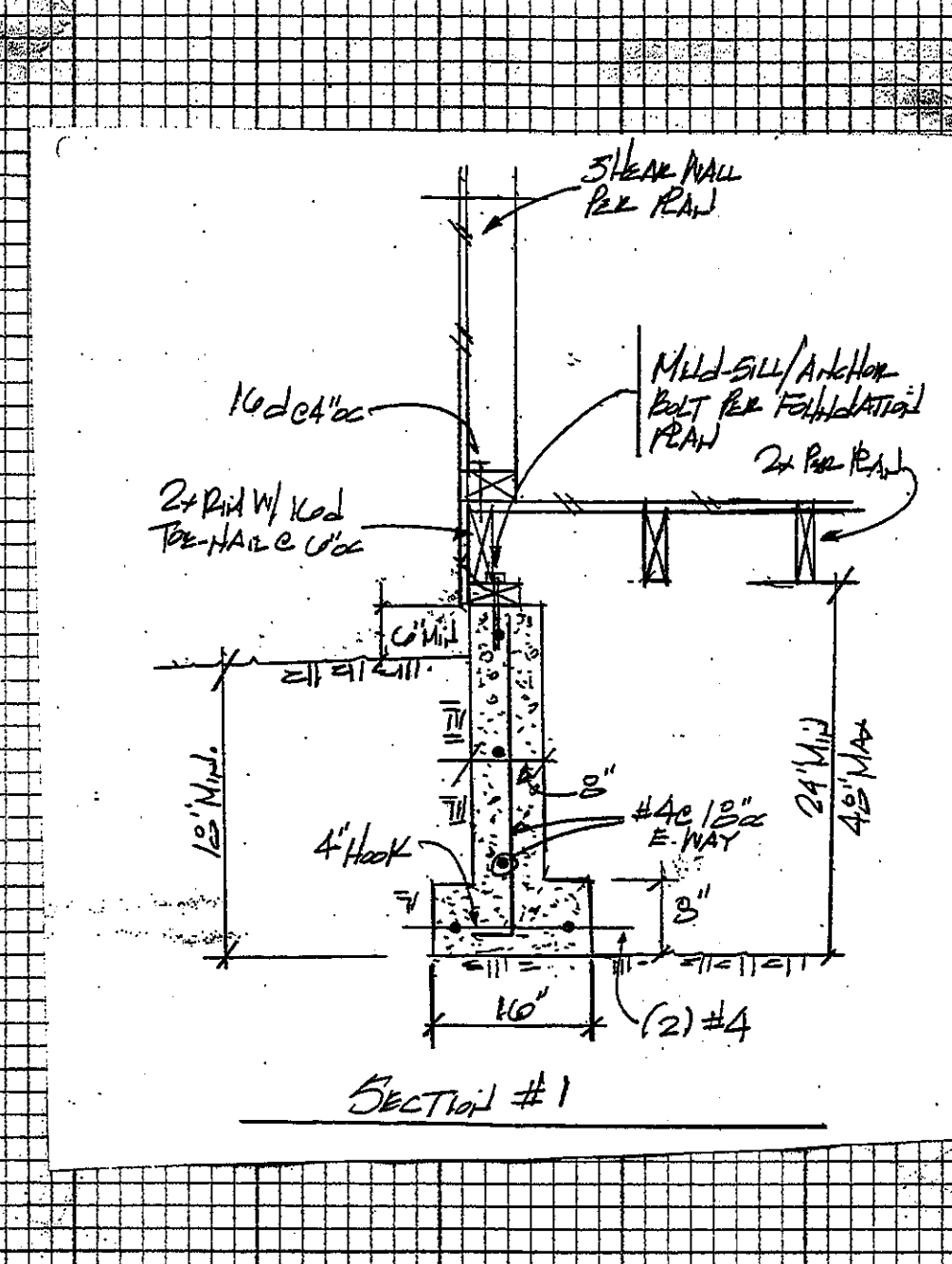
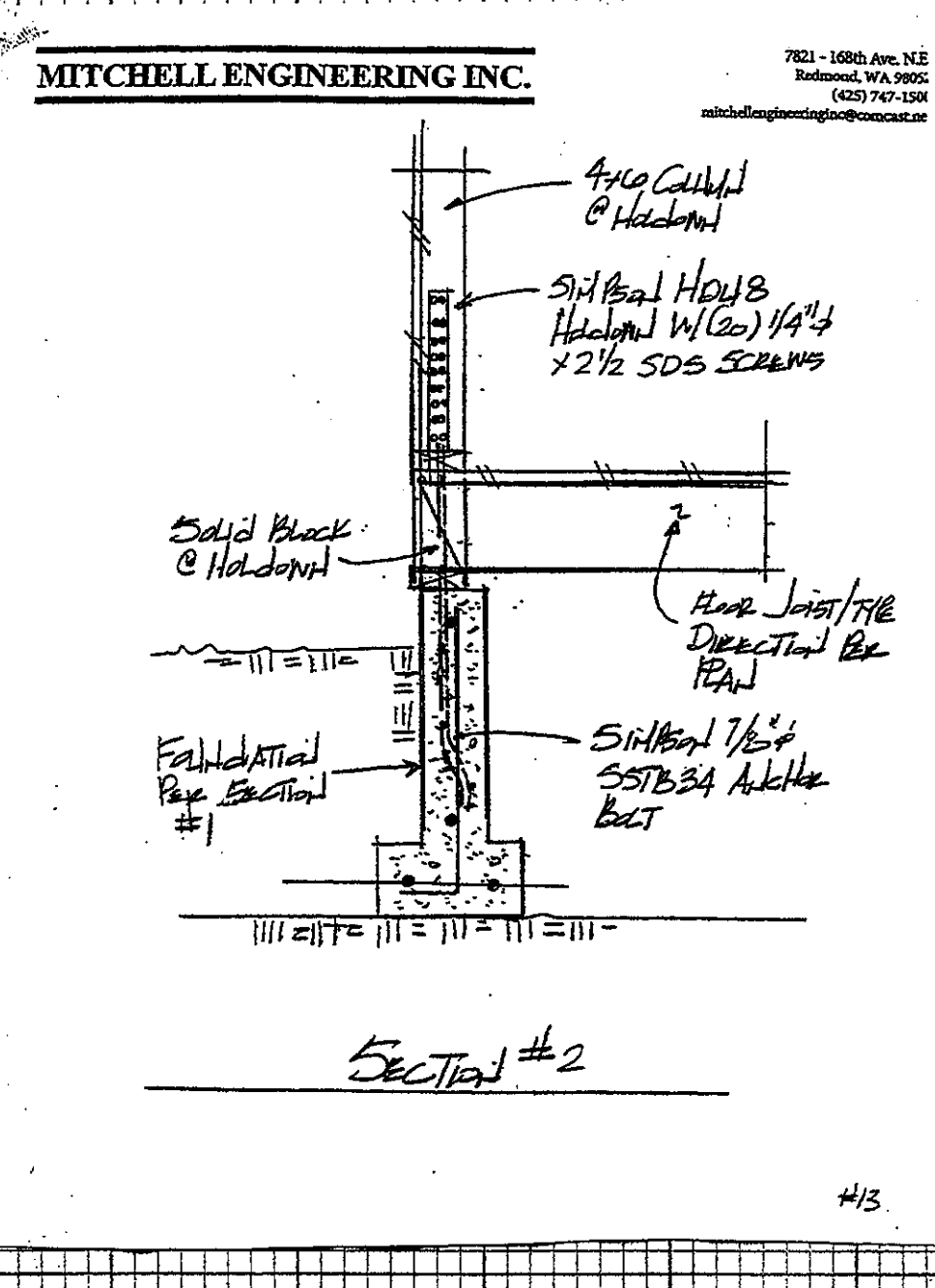
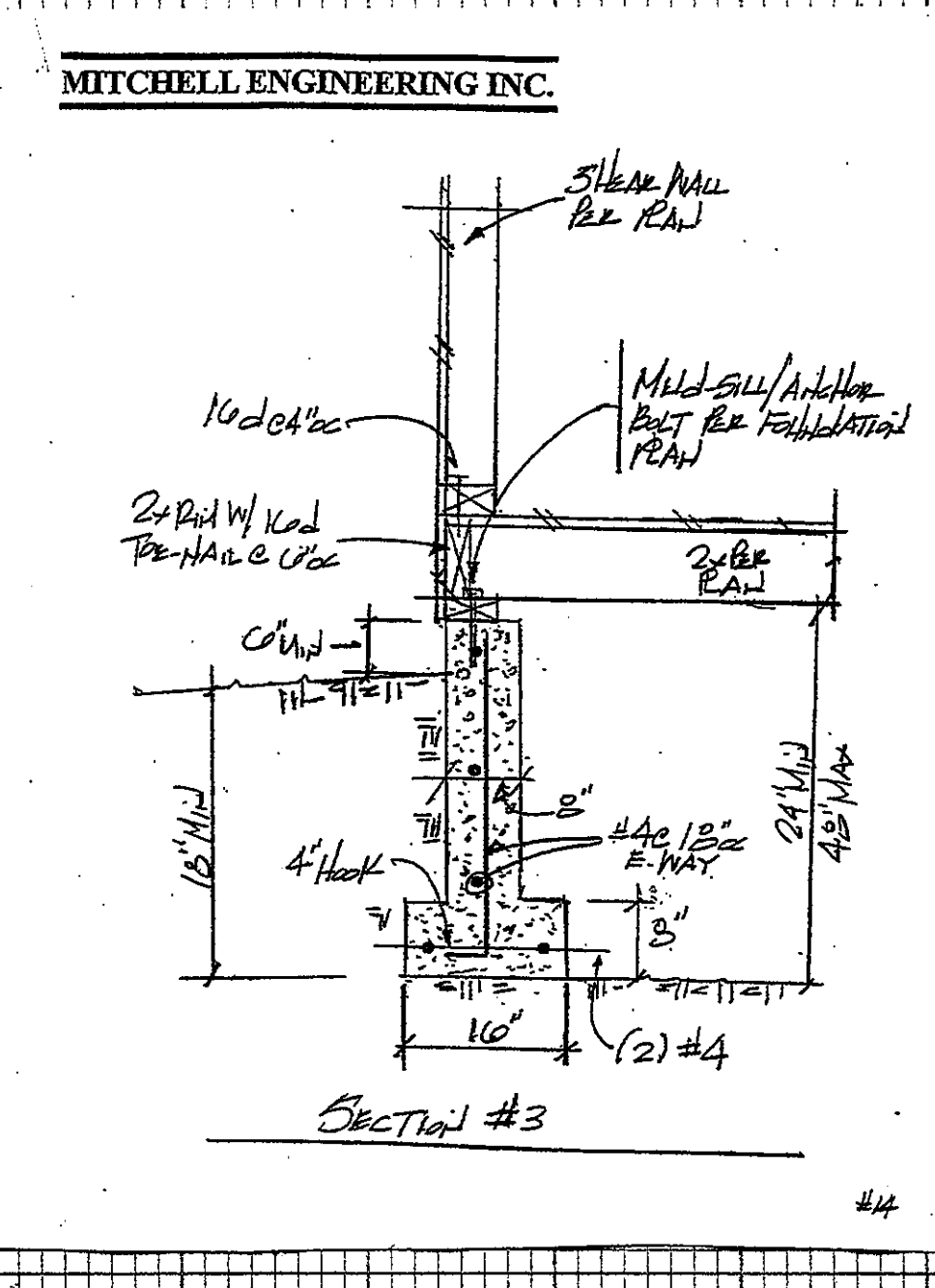
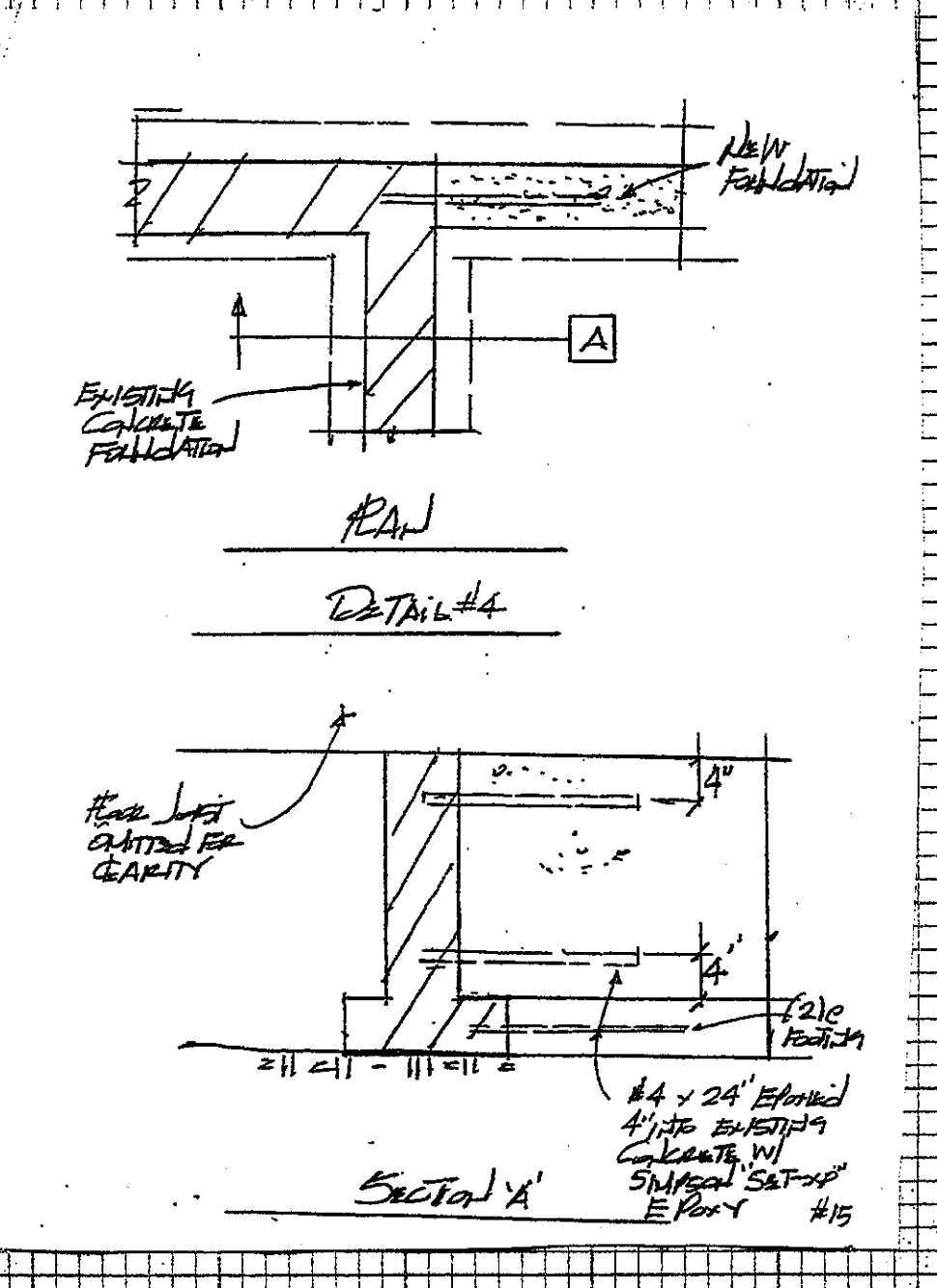
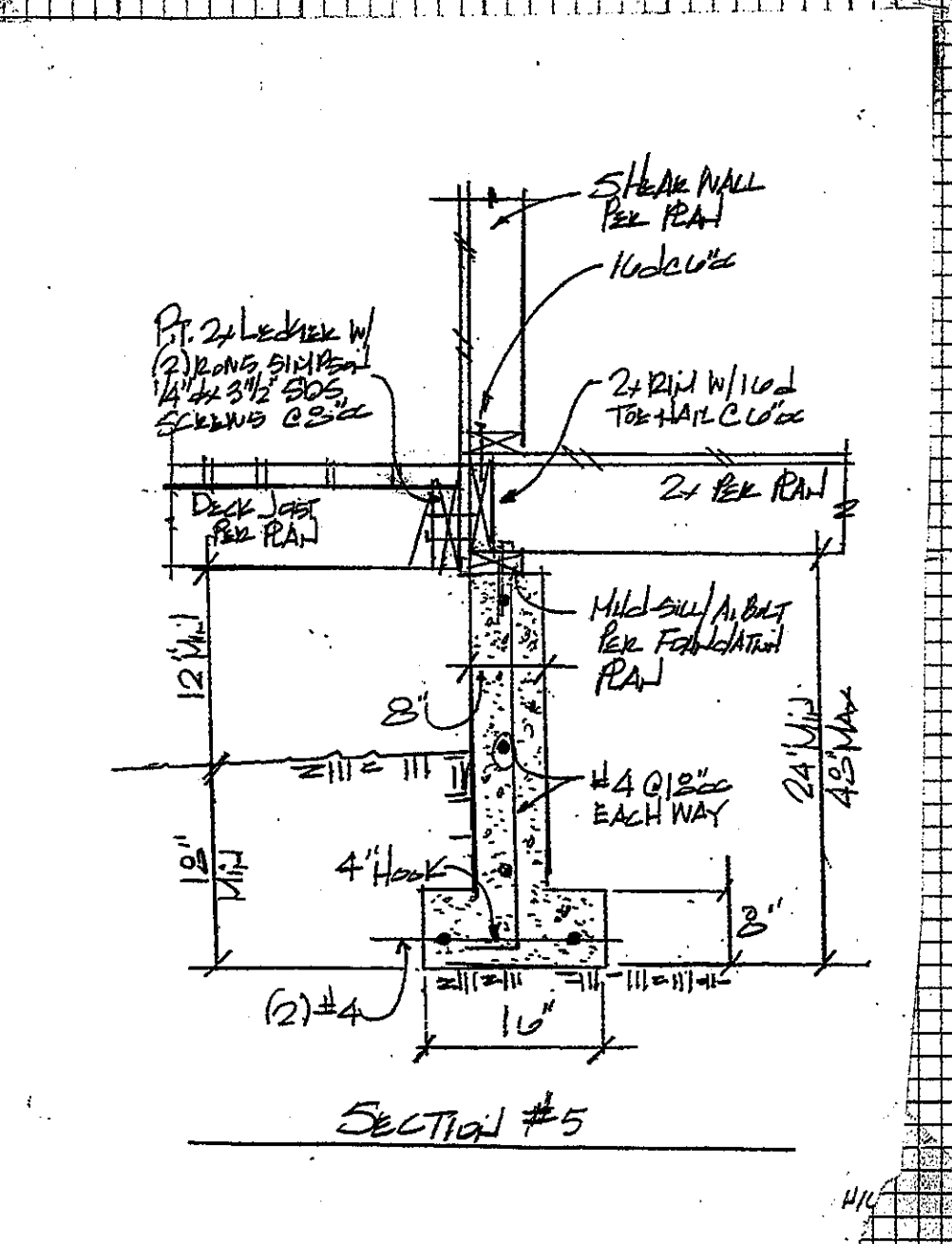
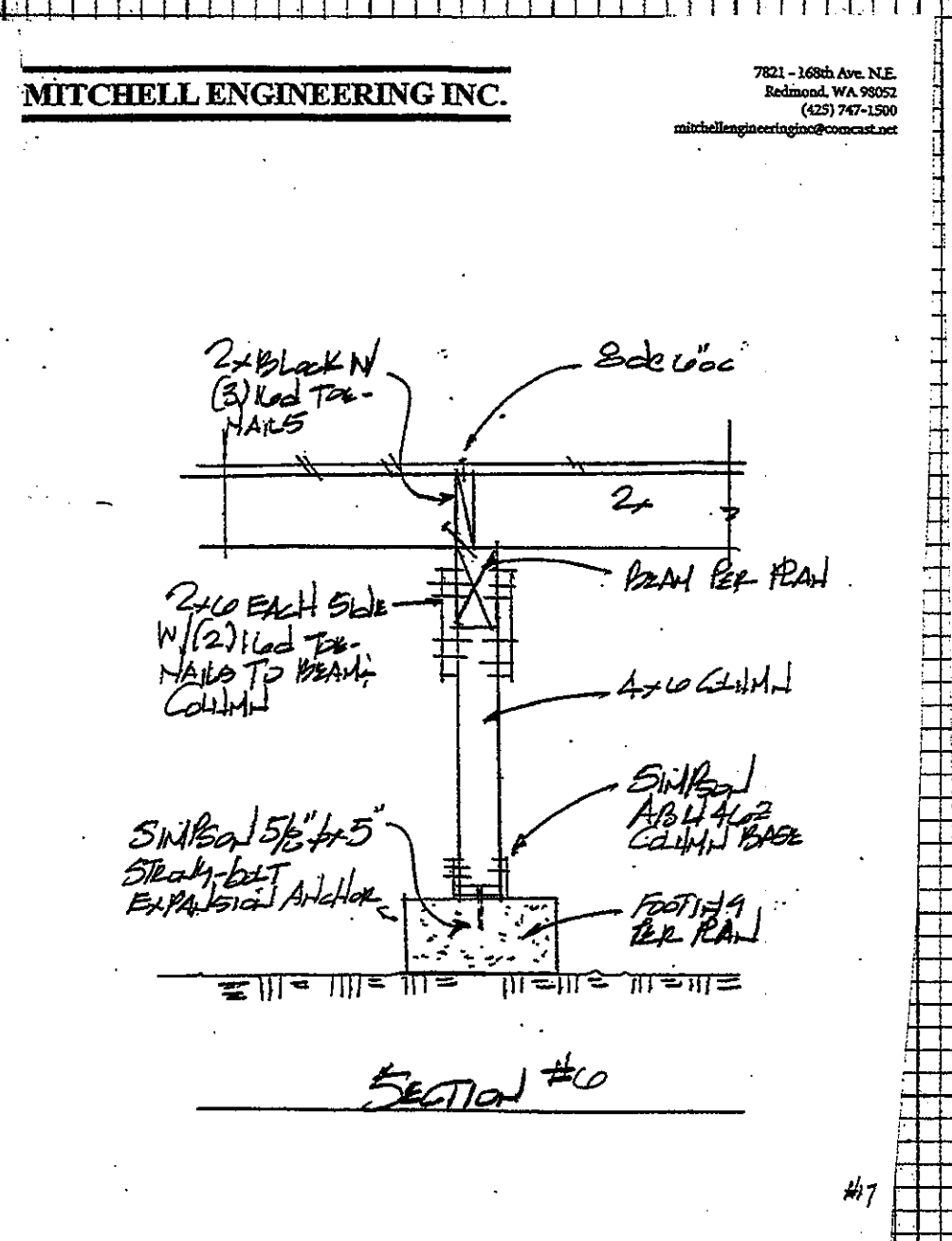
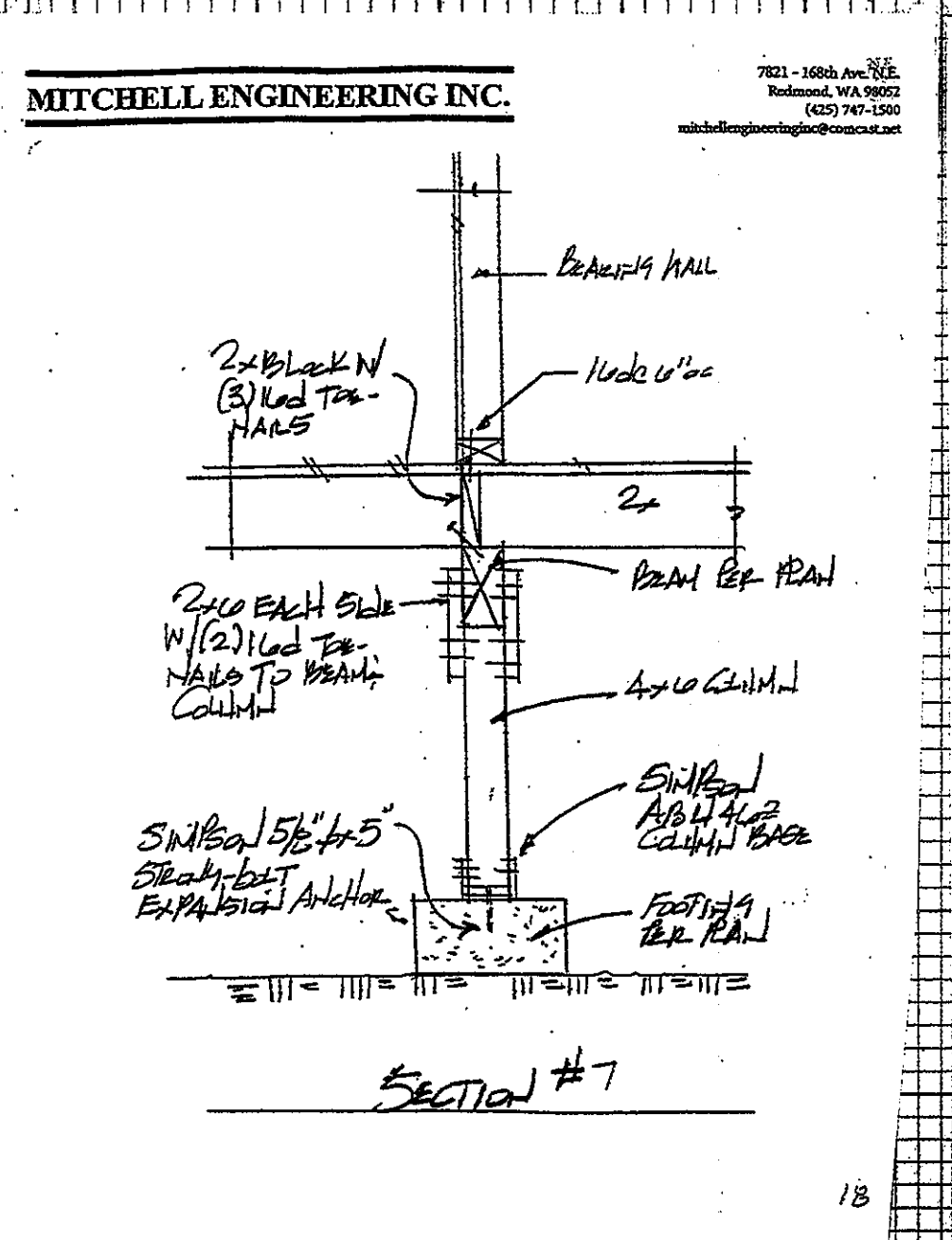
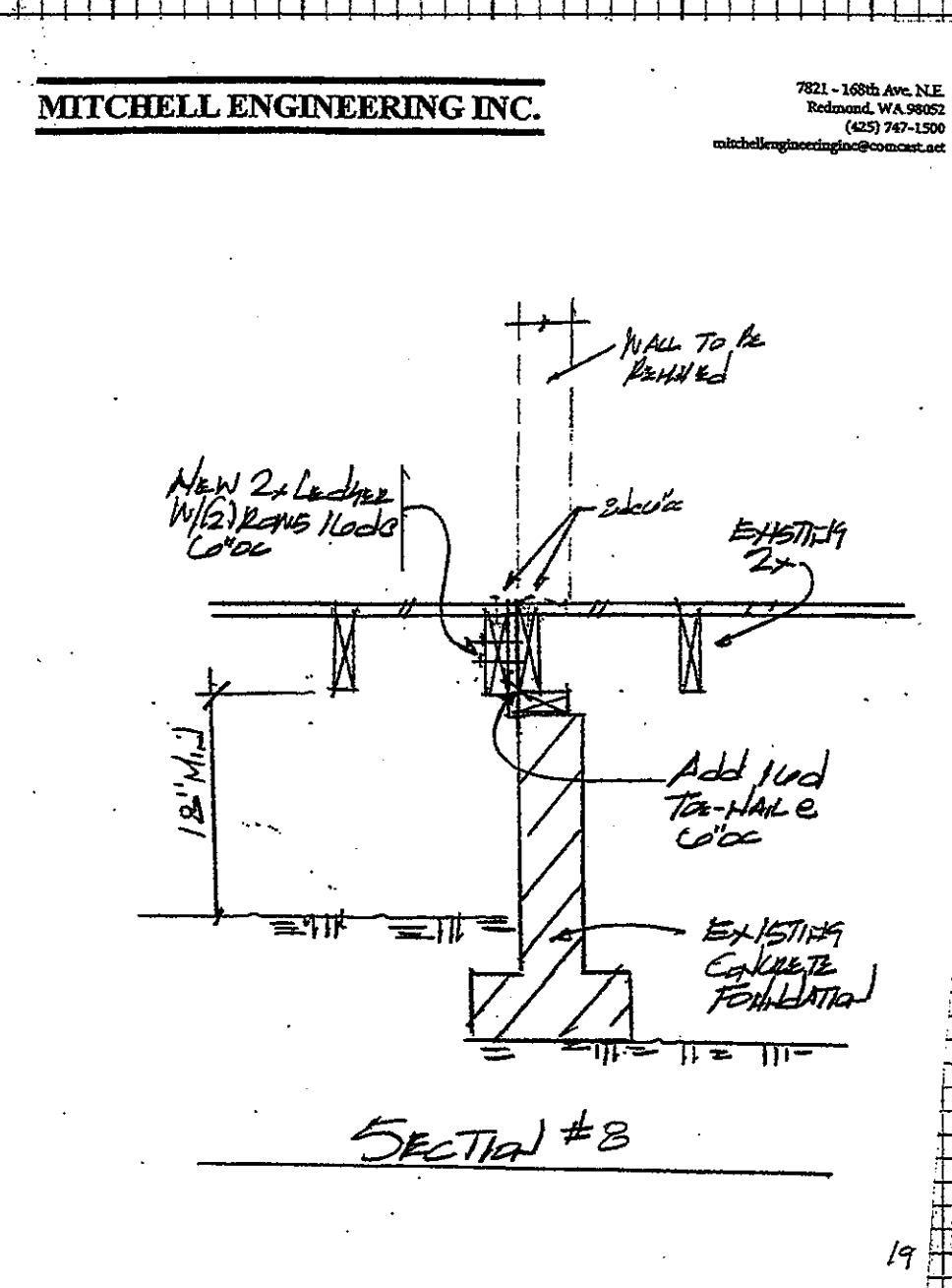
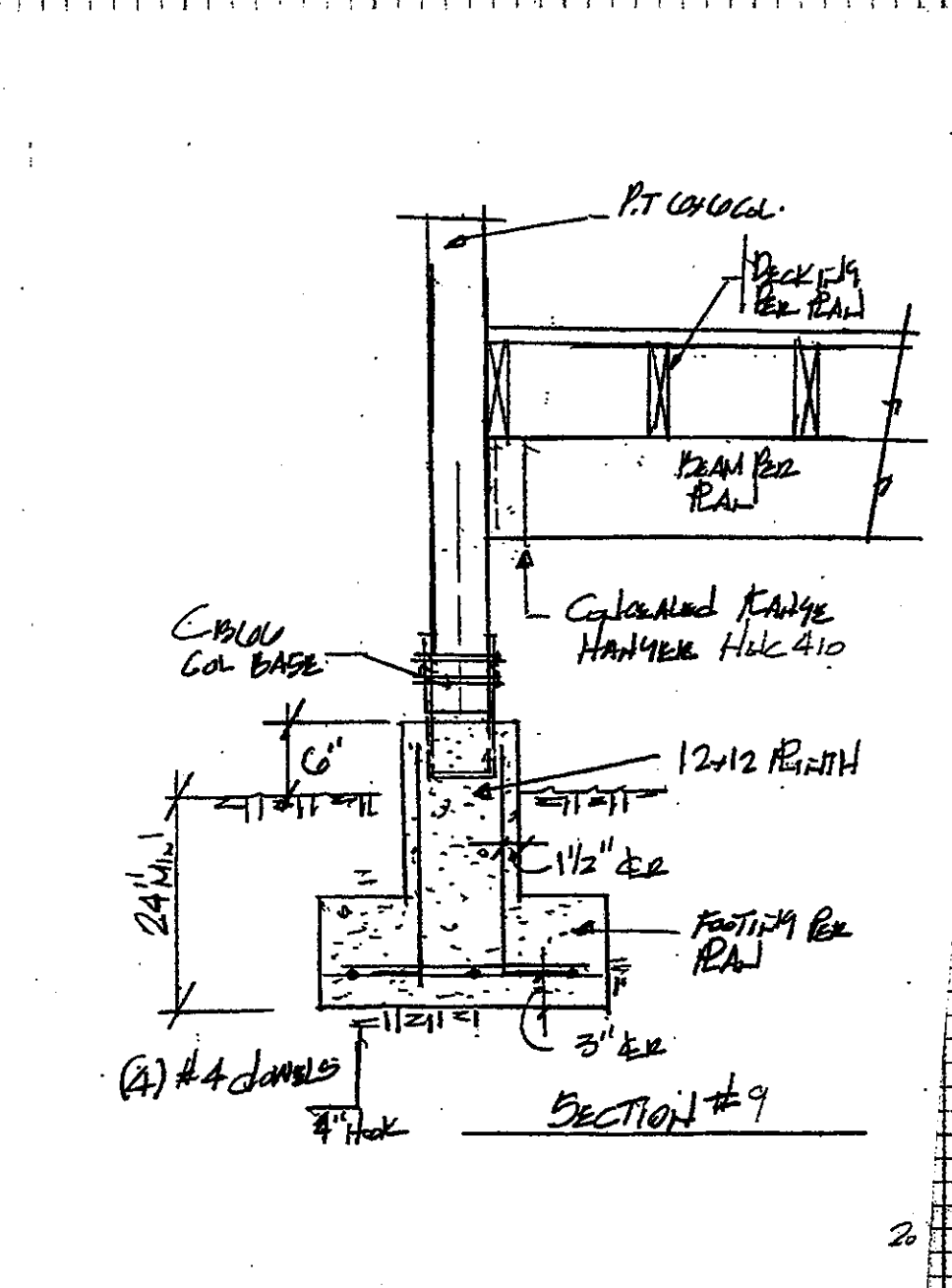
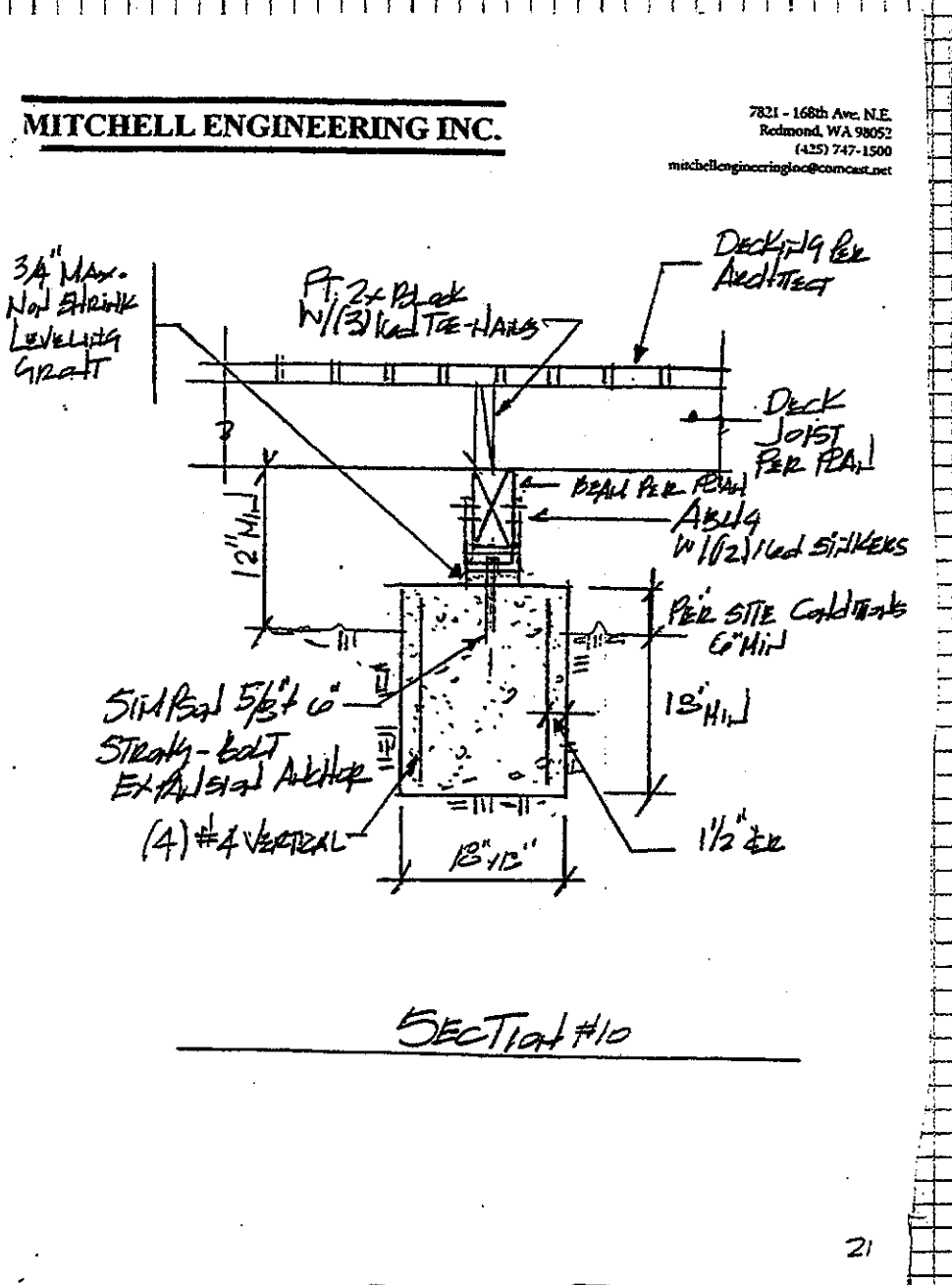
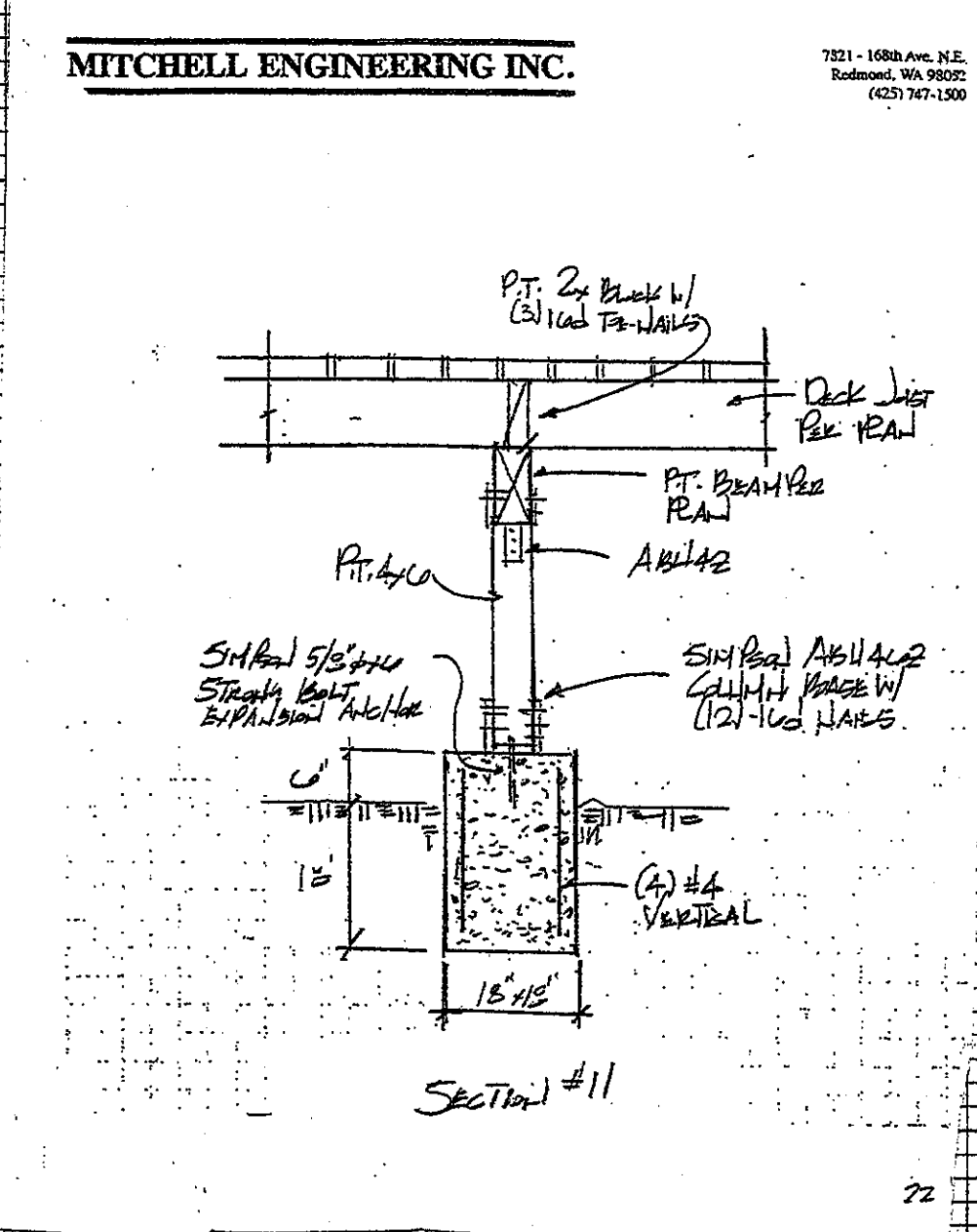
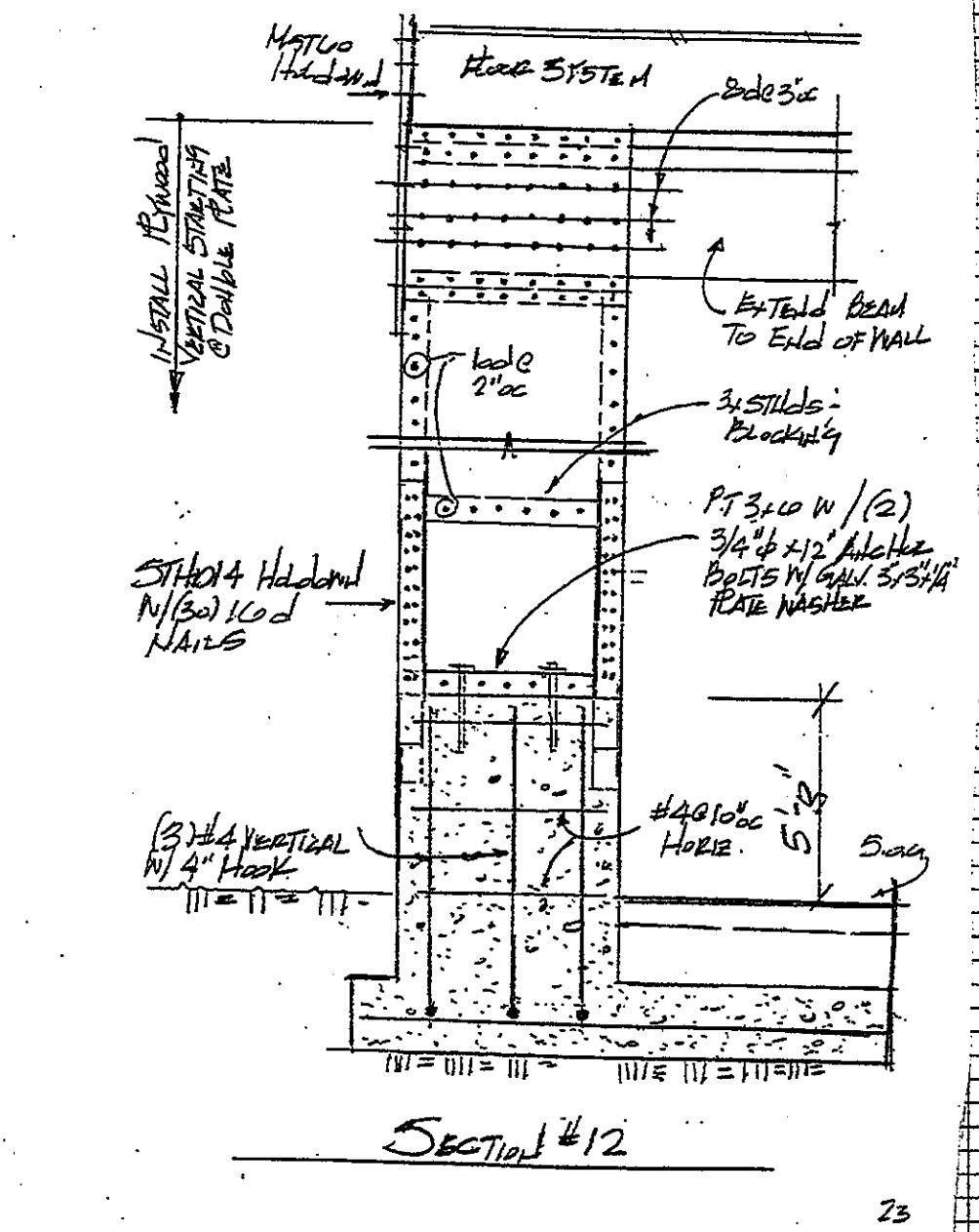
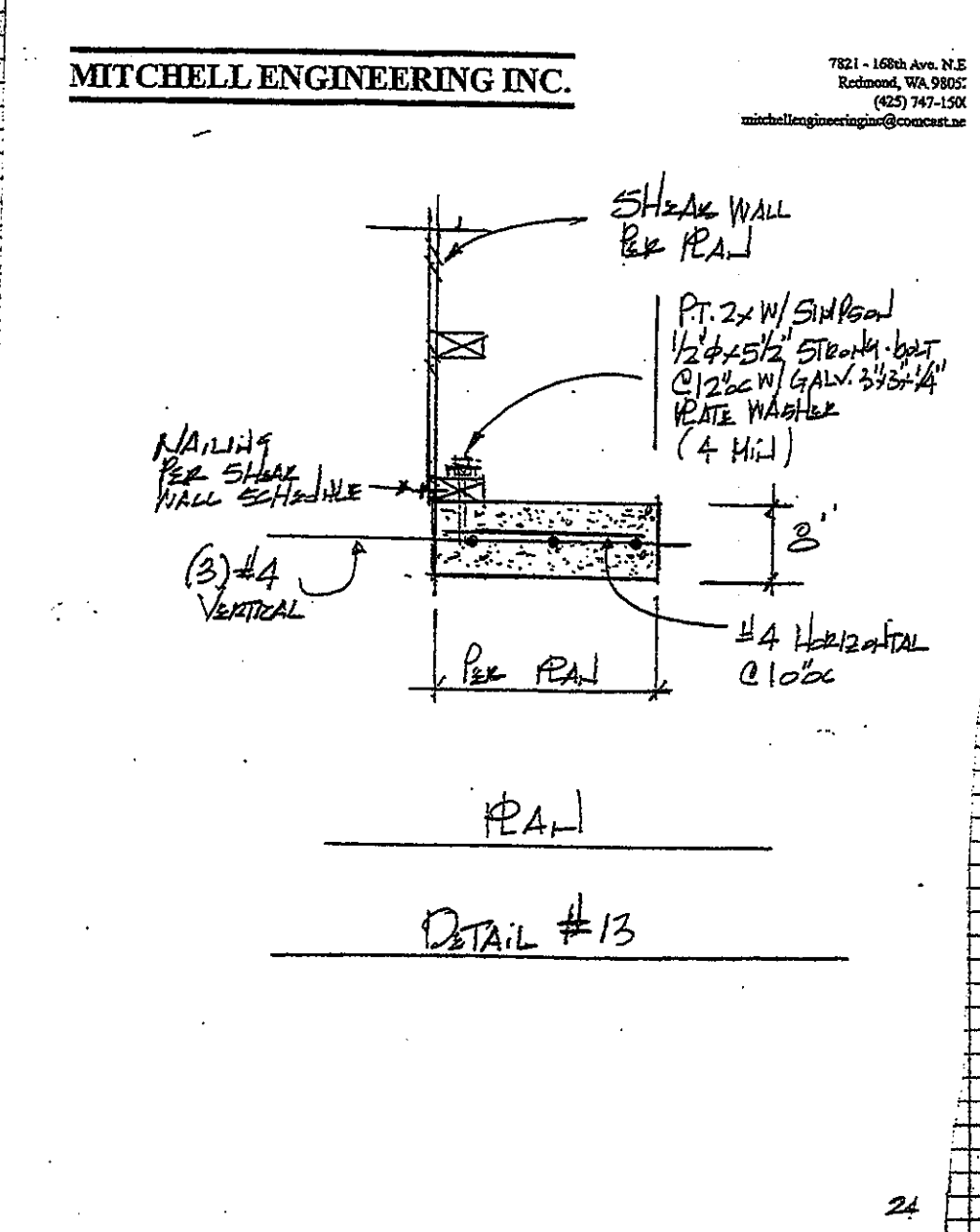
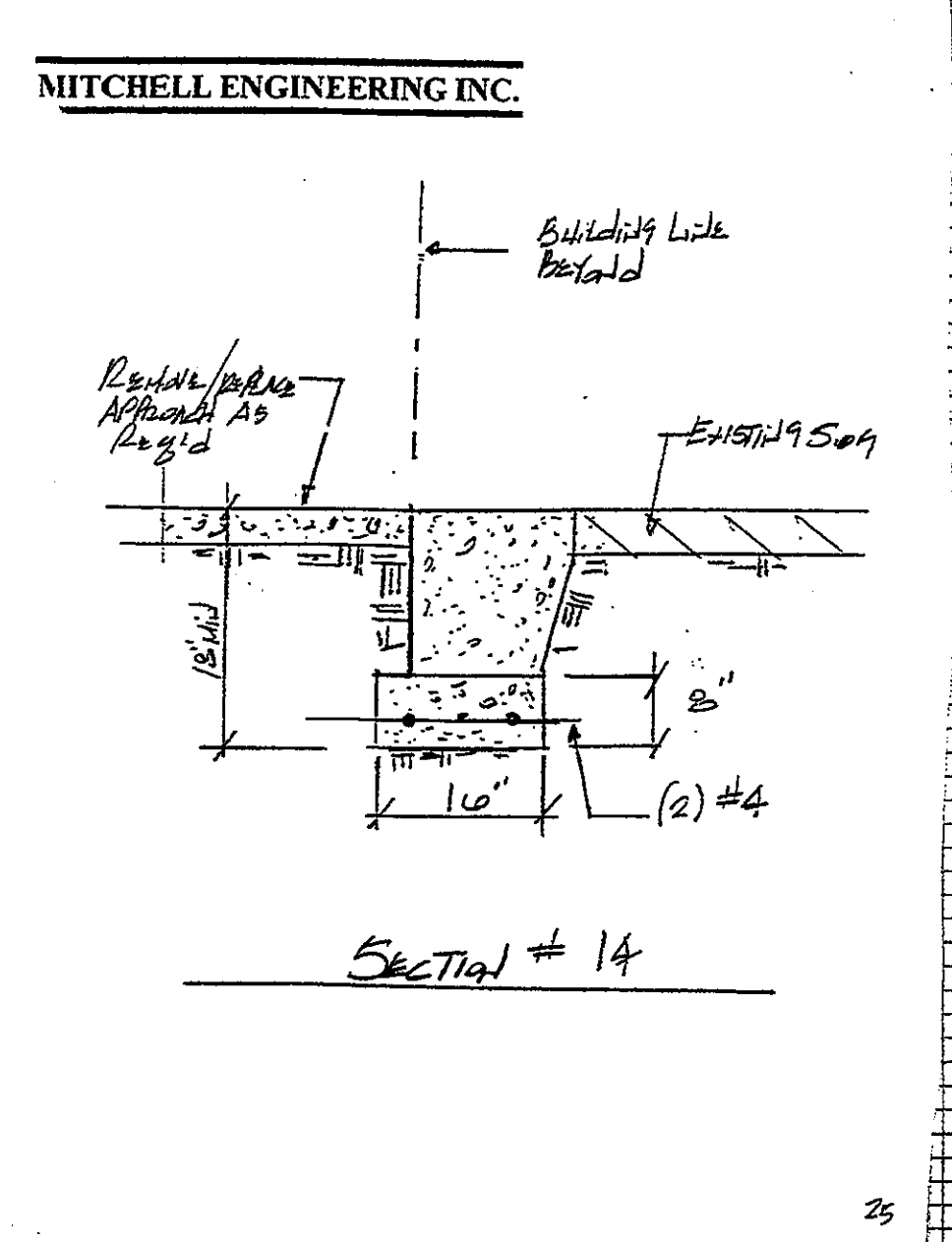
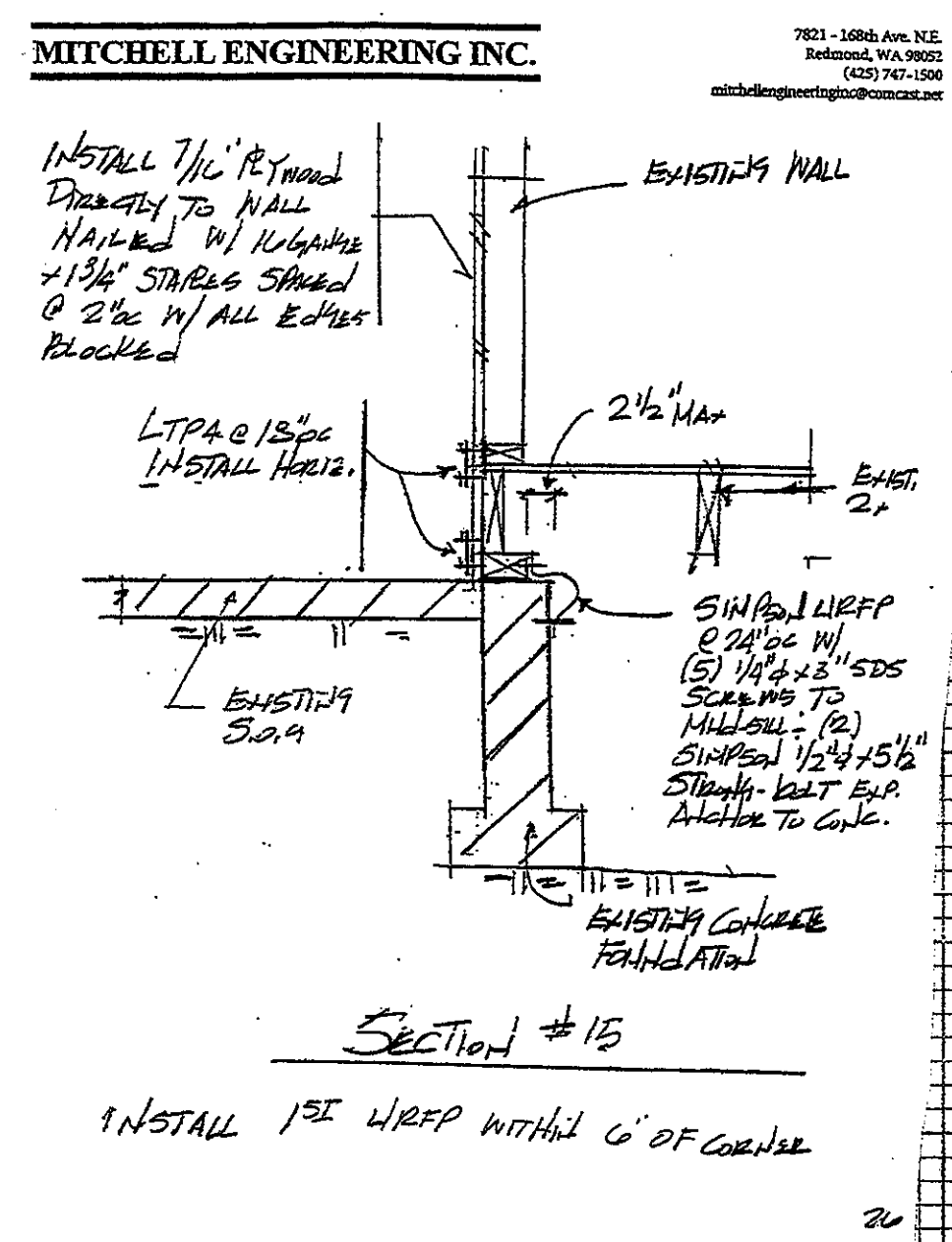
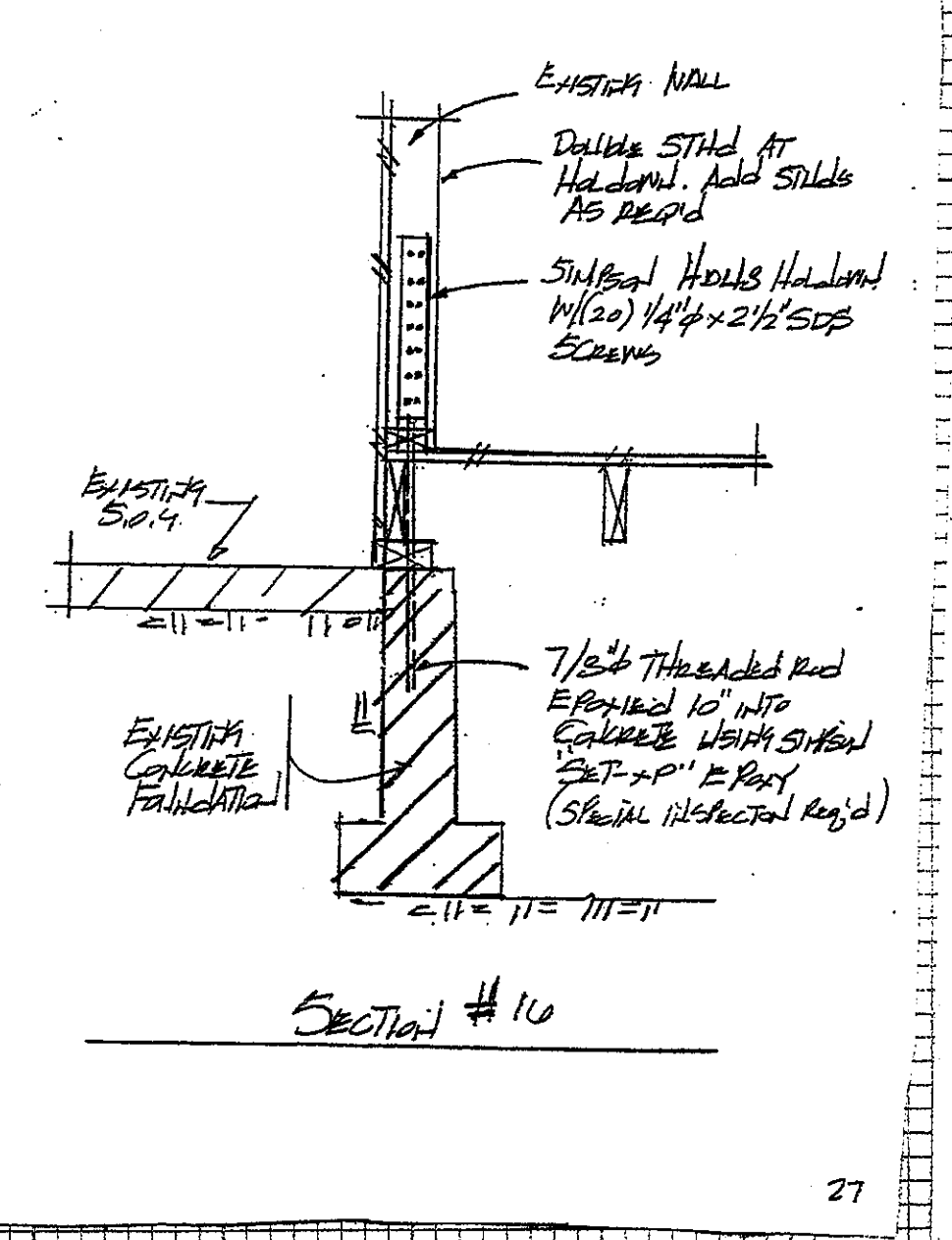
Client: **GIBSON**
 Reference: 1720
 Date:

PAGE 6 OF 6



CITY OF EVERETT
 REVIEWED FOR PERMIT

FINAL 2.17



SHEAR WALL SCHEDULE

| WALL SCHEDULE | ALLOWED HEIGHT | MAX. WIND SPEED | MAX. WIND PRESSURE |
|---------------|----------------|-----------------|--------------------|
| P1 | 10' | 120 | 15 |
| P2 | 12' | 140 | 20 |
| P3 | 14' | 160 | 25 |
| P4 | 16' | 180 | 30 |
| P5 | 18' | 200 | 35 |
| P6 | 20' | 220 | 40 |
| P7 | 22' | 240 | 45 |
| P8 | 24' | 260 | 50 |
| P9 | 26' | 280 | 55 |
| P10 | 28' | 300 | 60 |

Notes:
 1. P1-P10 A.A. use Plywood or Oriented Strand Board (OSB) on one side of wall.
 2. P1-P10 P.P. use Plywood or Oriented Strand Board (OSB) on both sides of wall.
 3. E.B.C. use 2x4 P.P. & 2x4 A.A. with 1/2\"/>



Client: **Gieson**

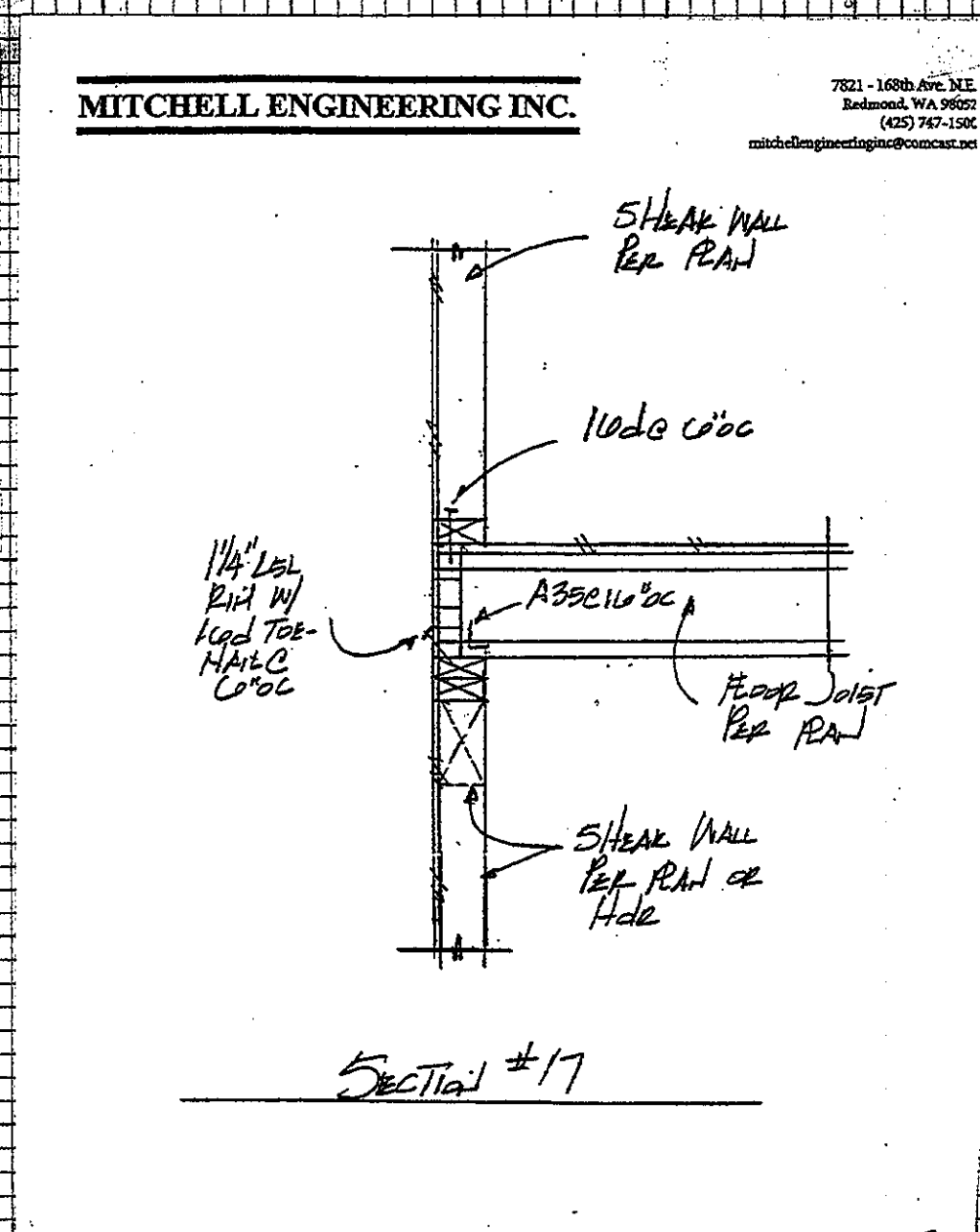
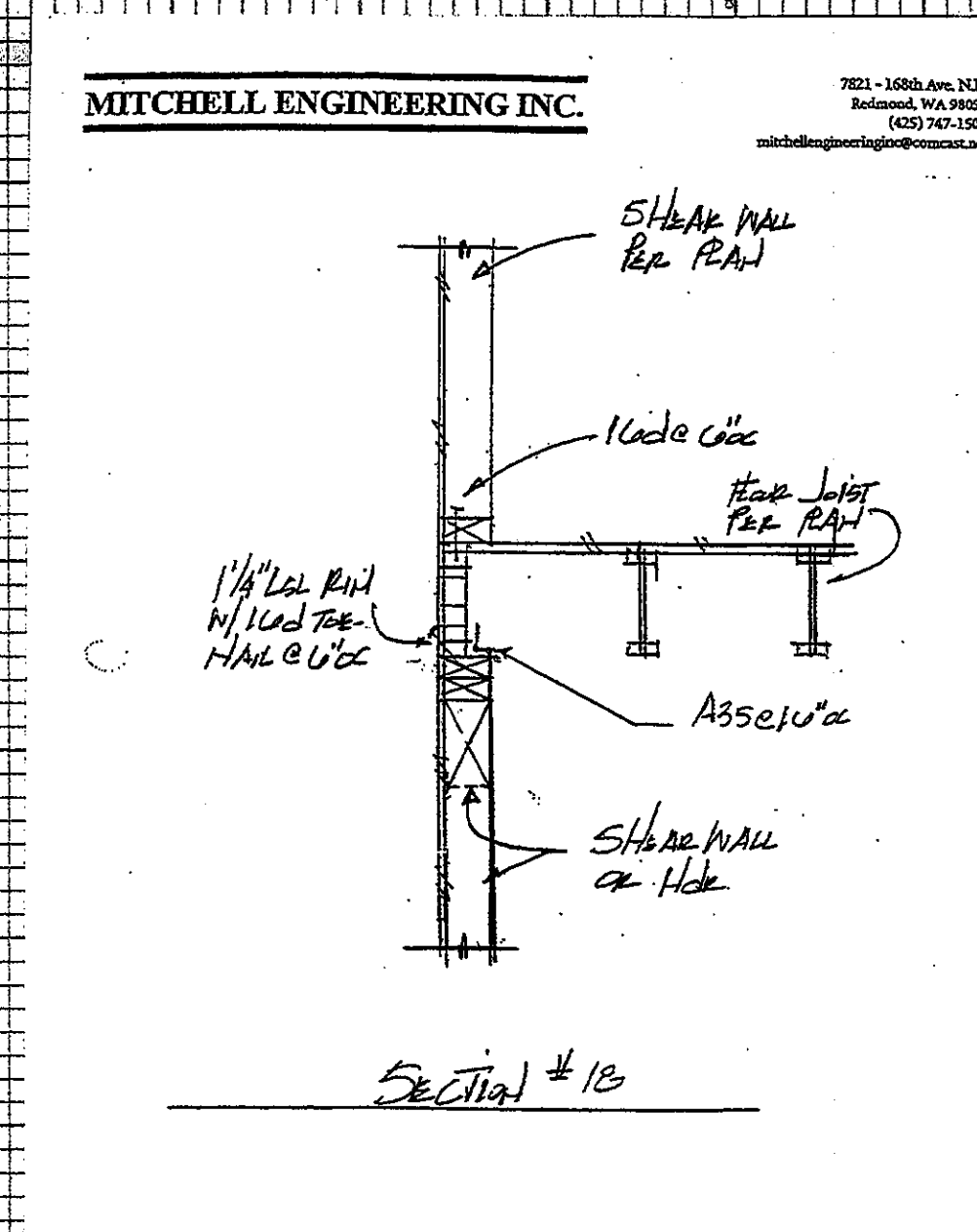
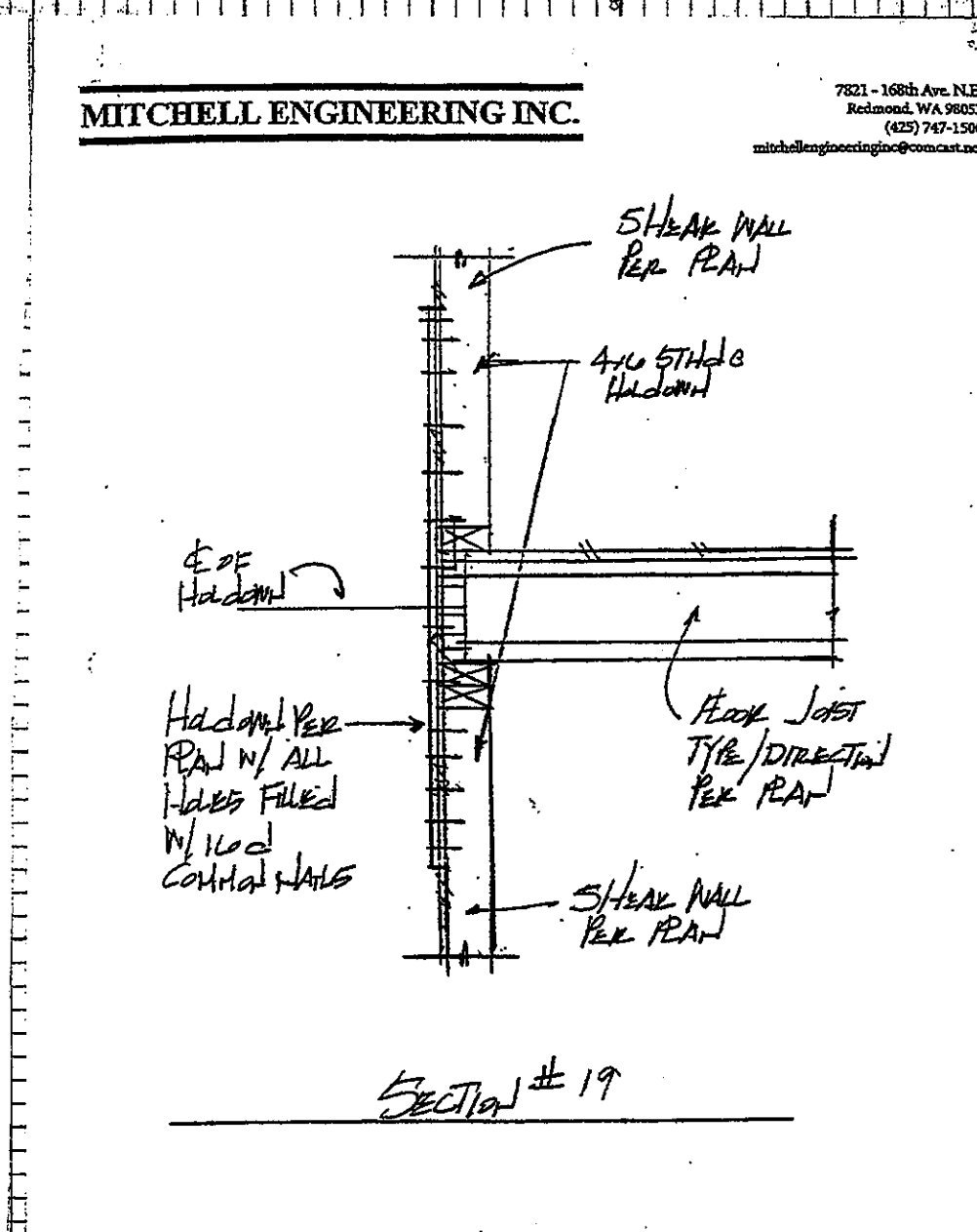
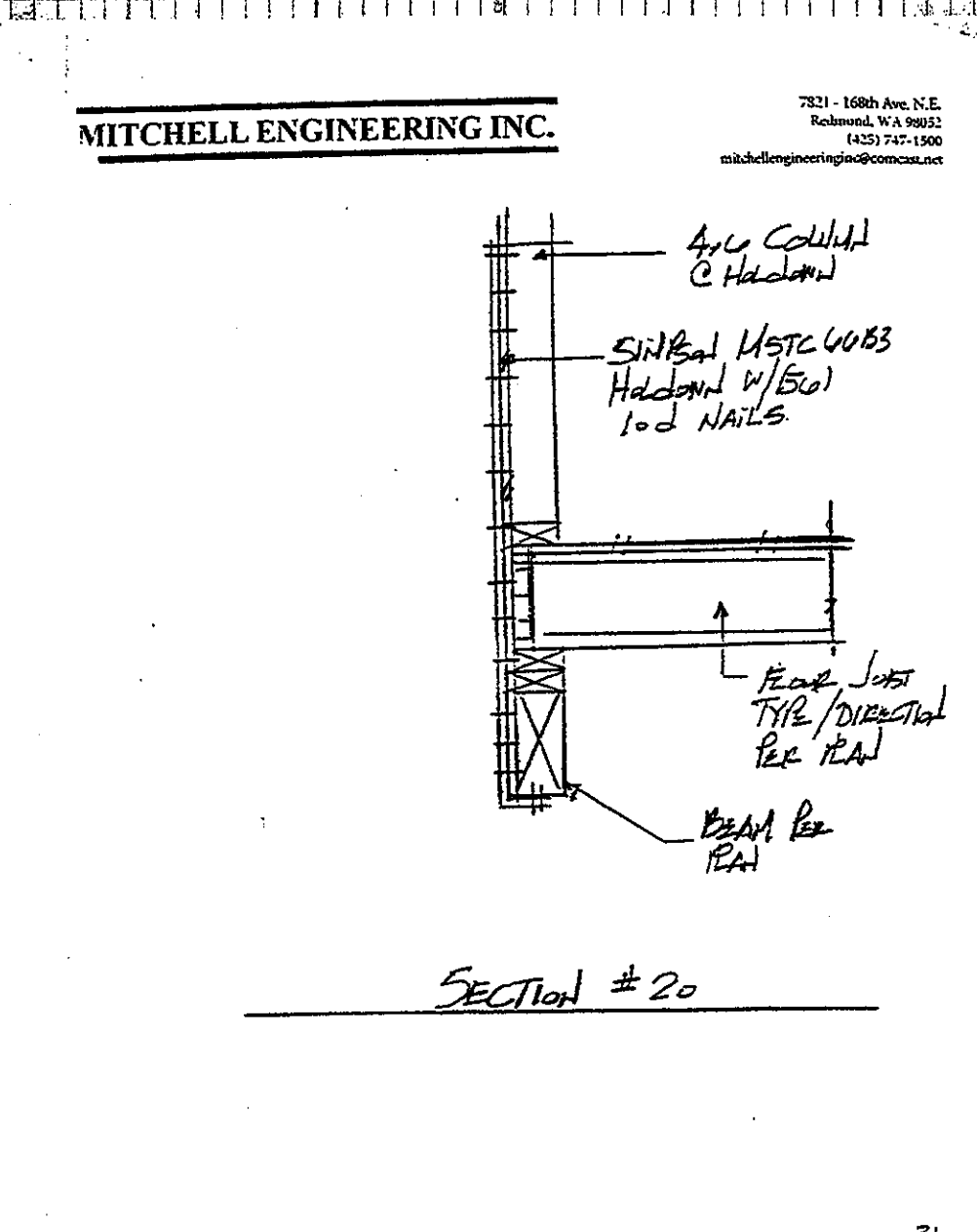
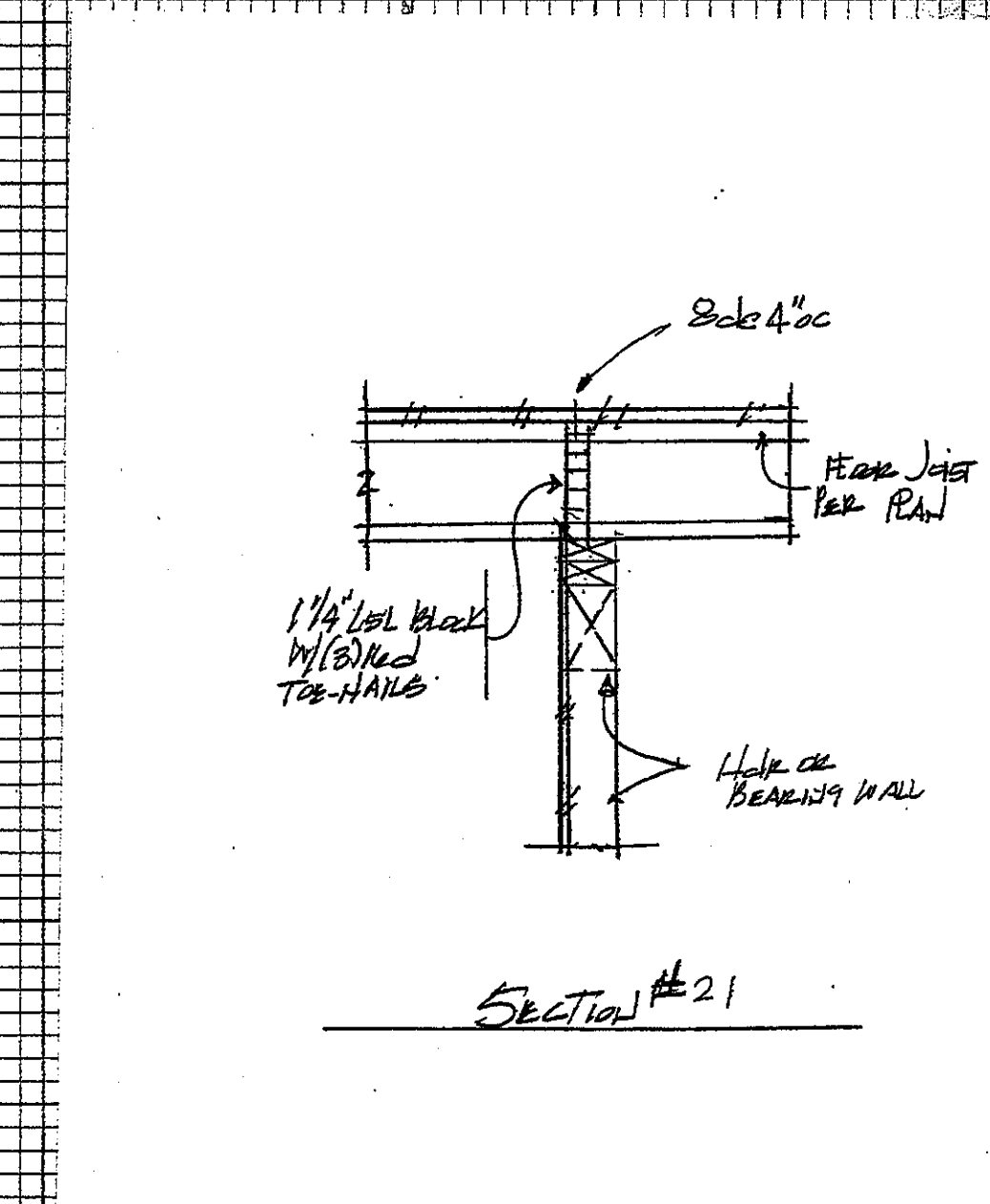
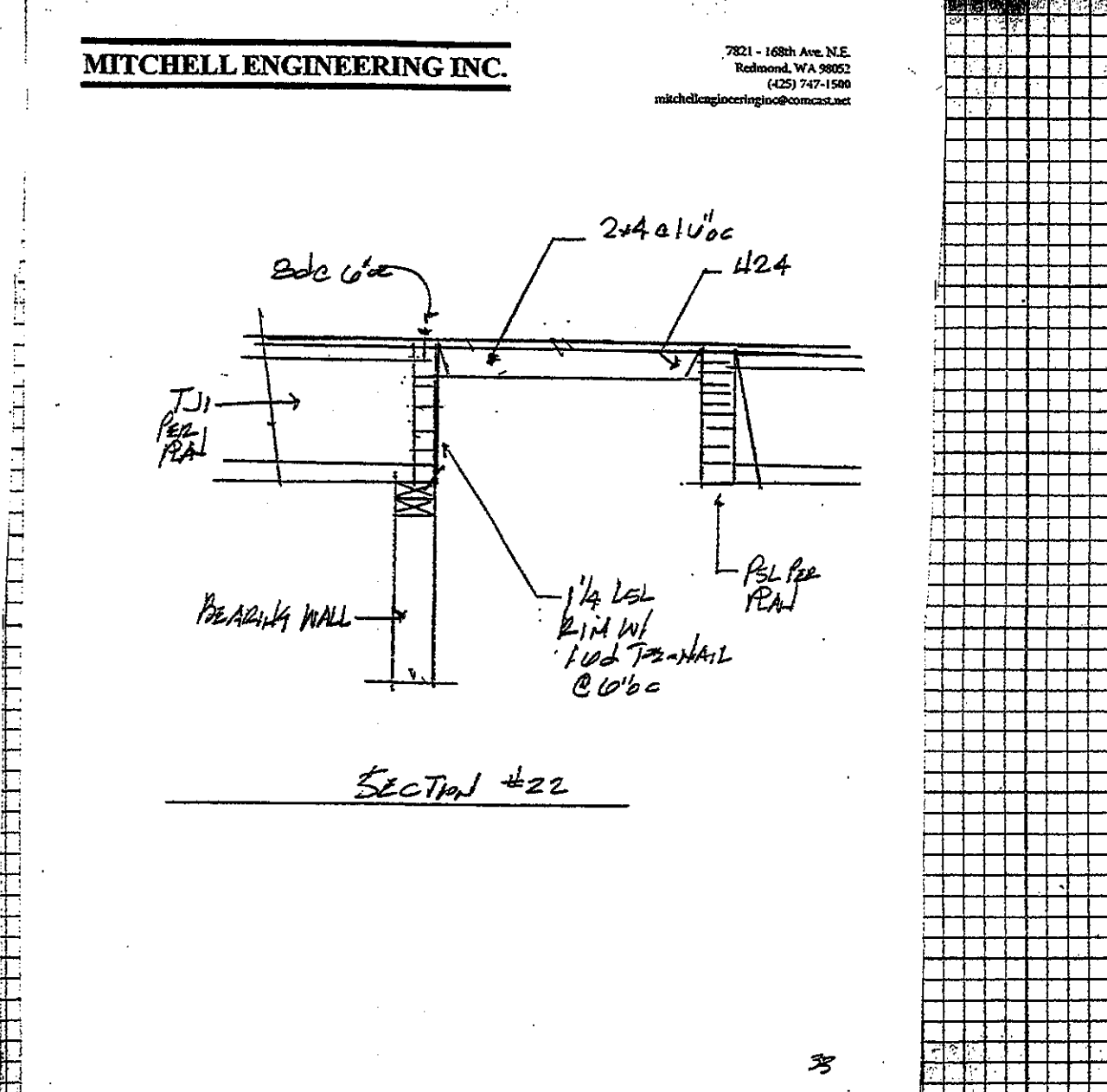
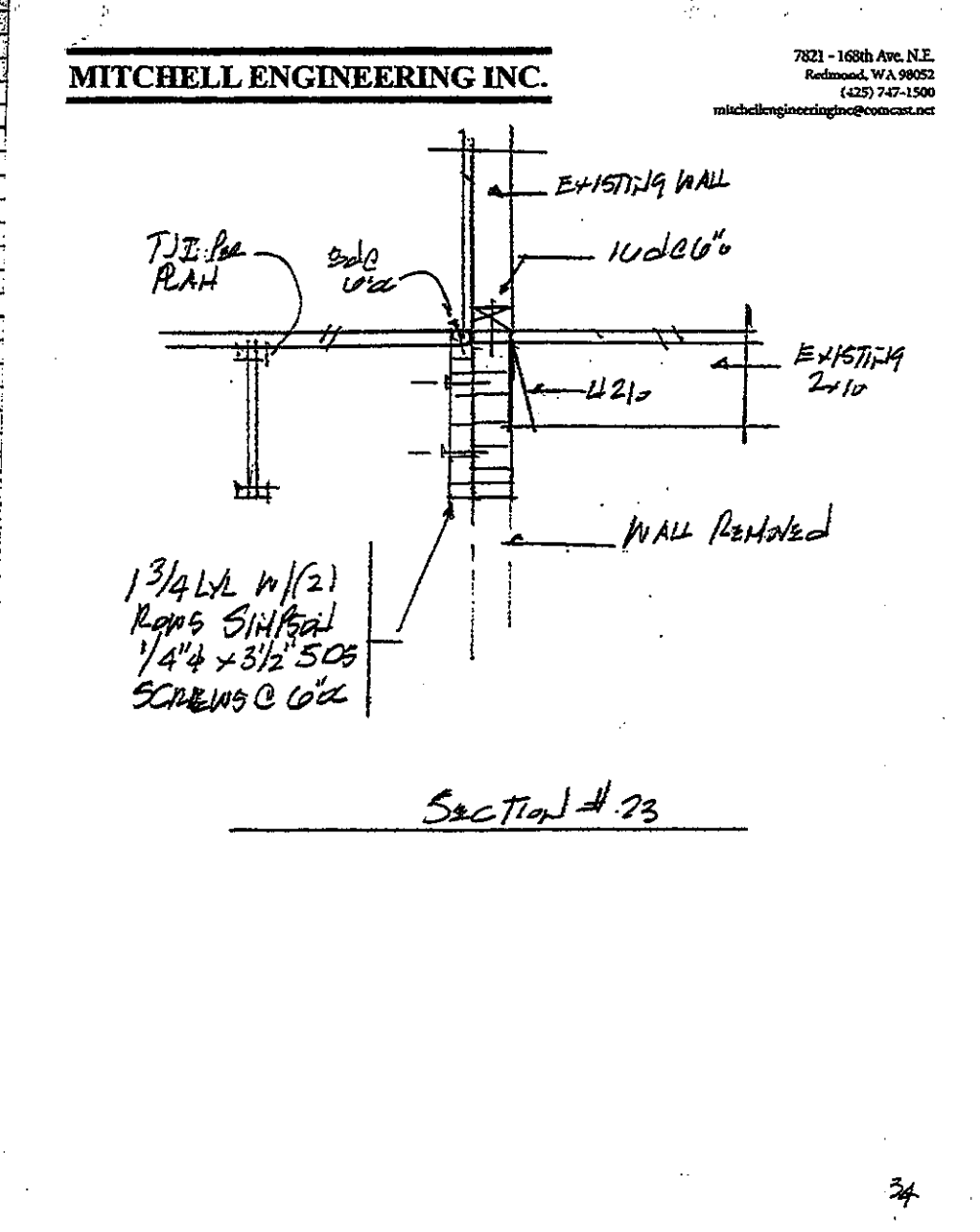
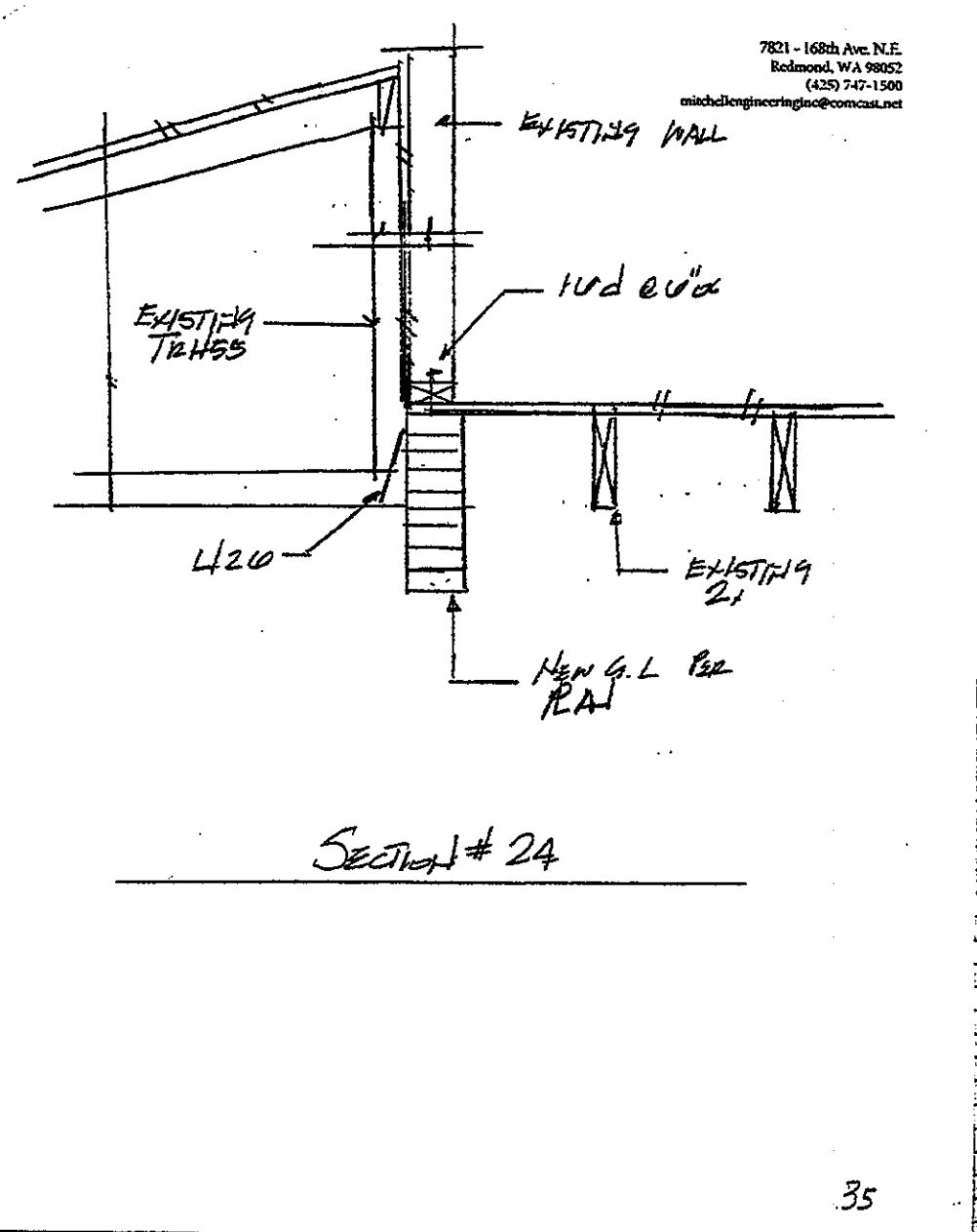
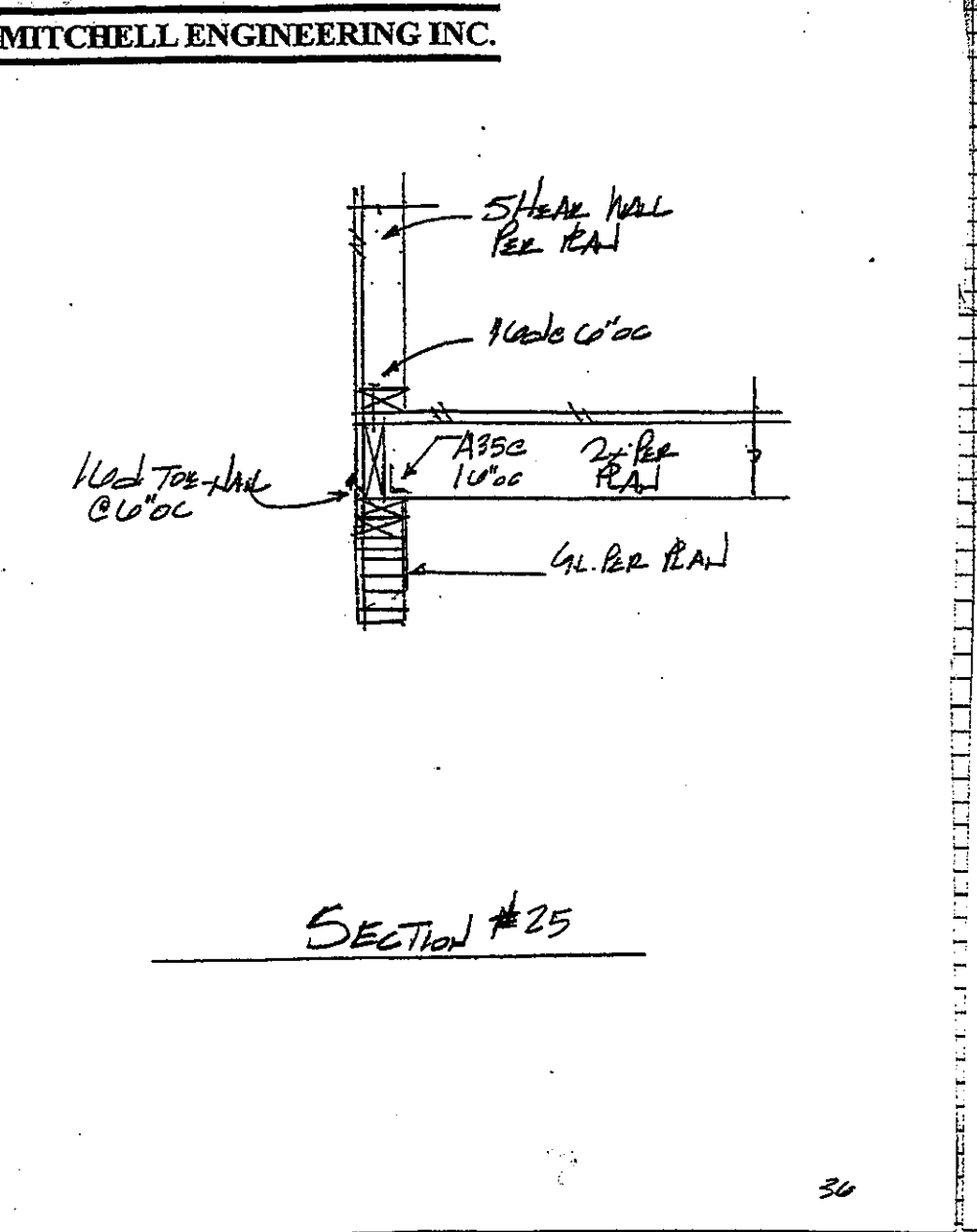
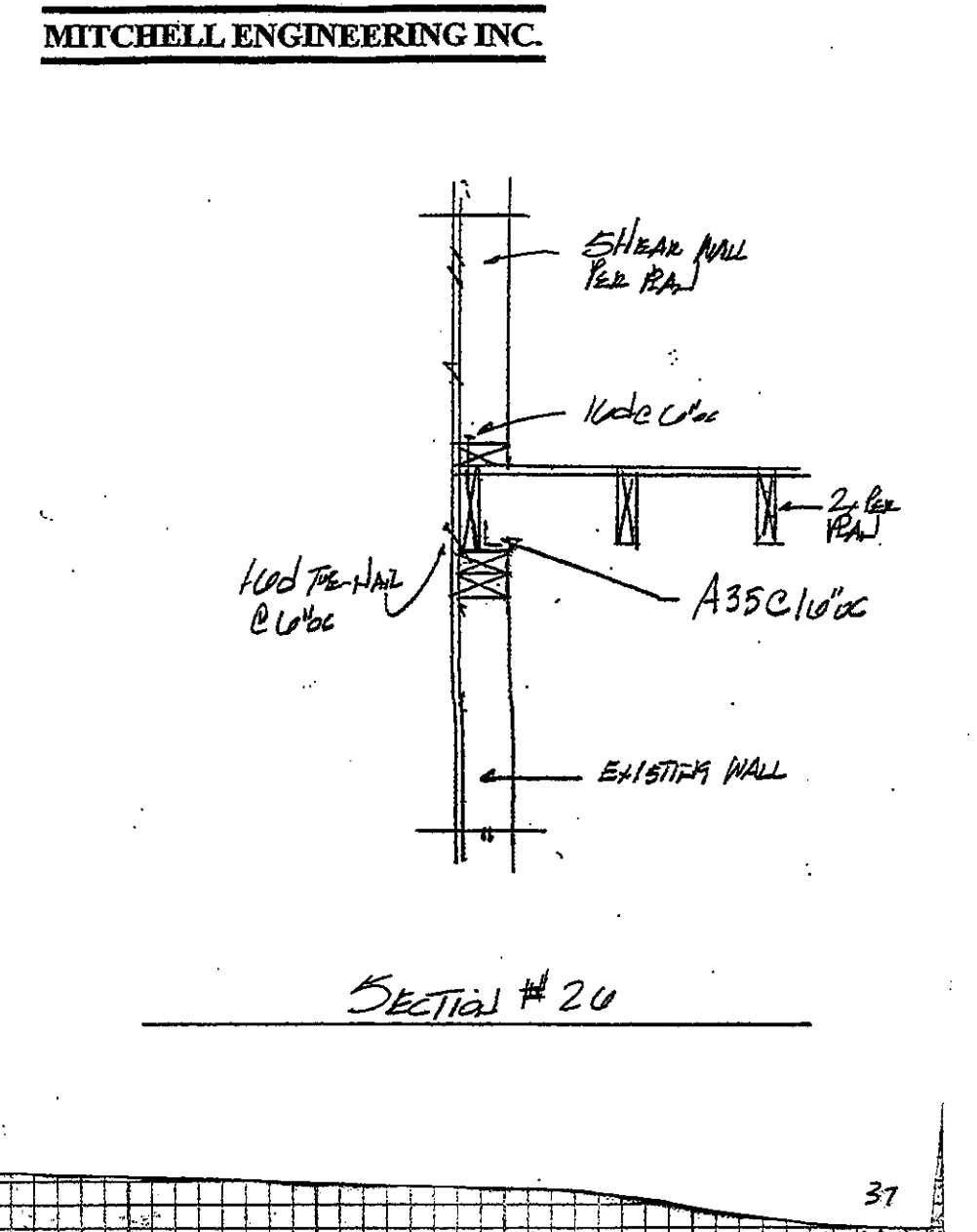
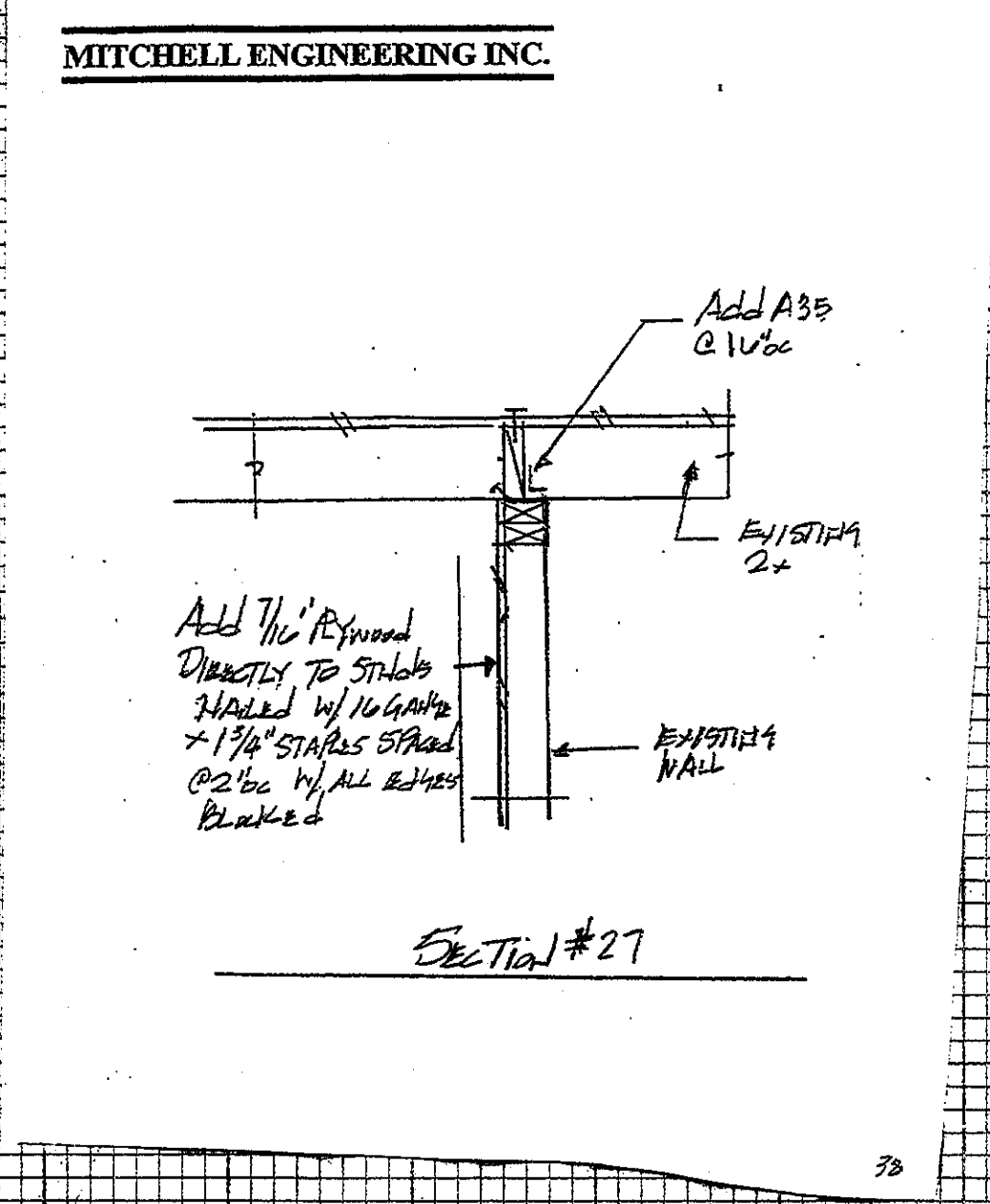
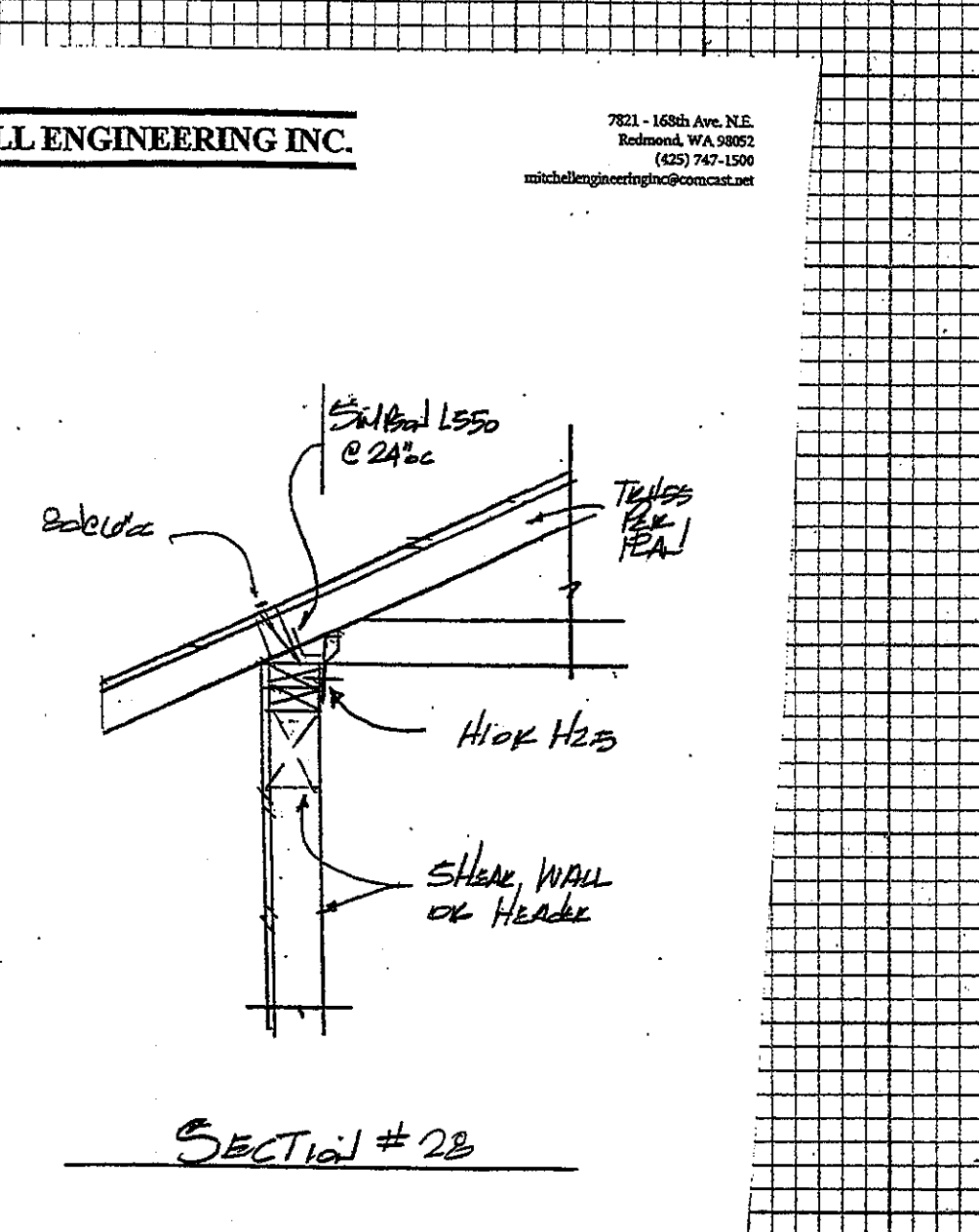
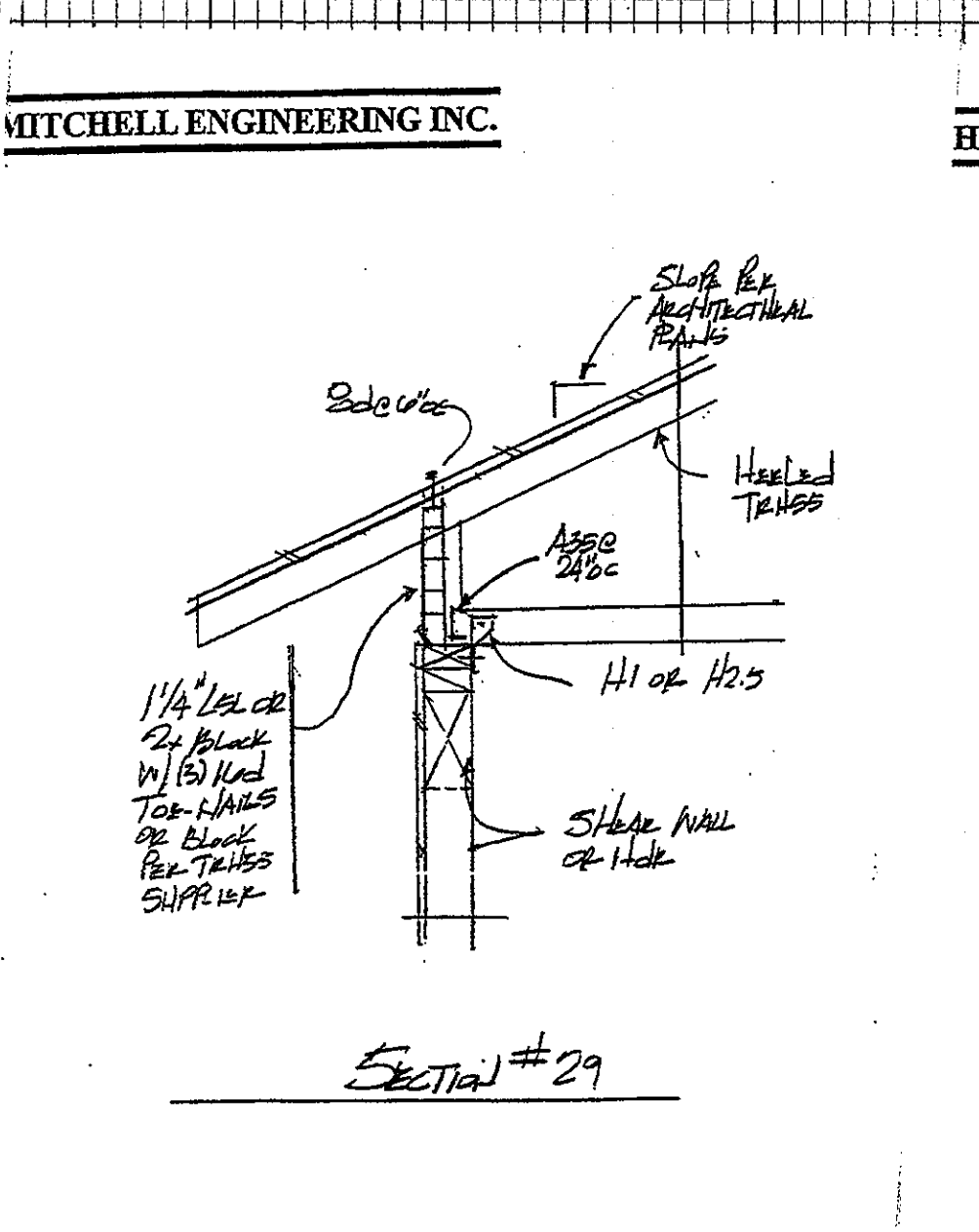
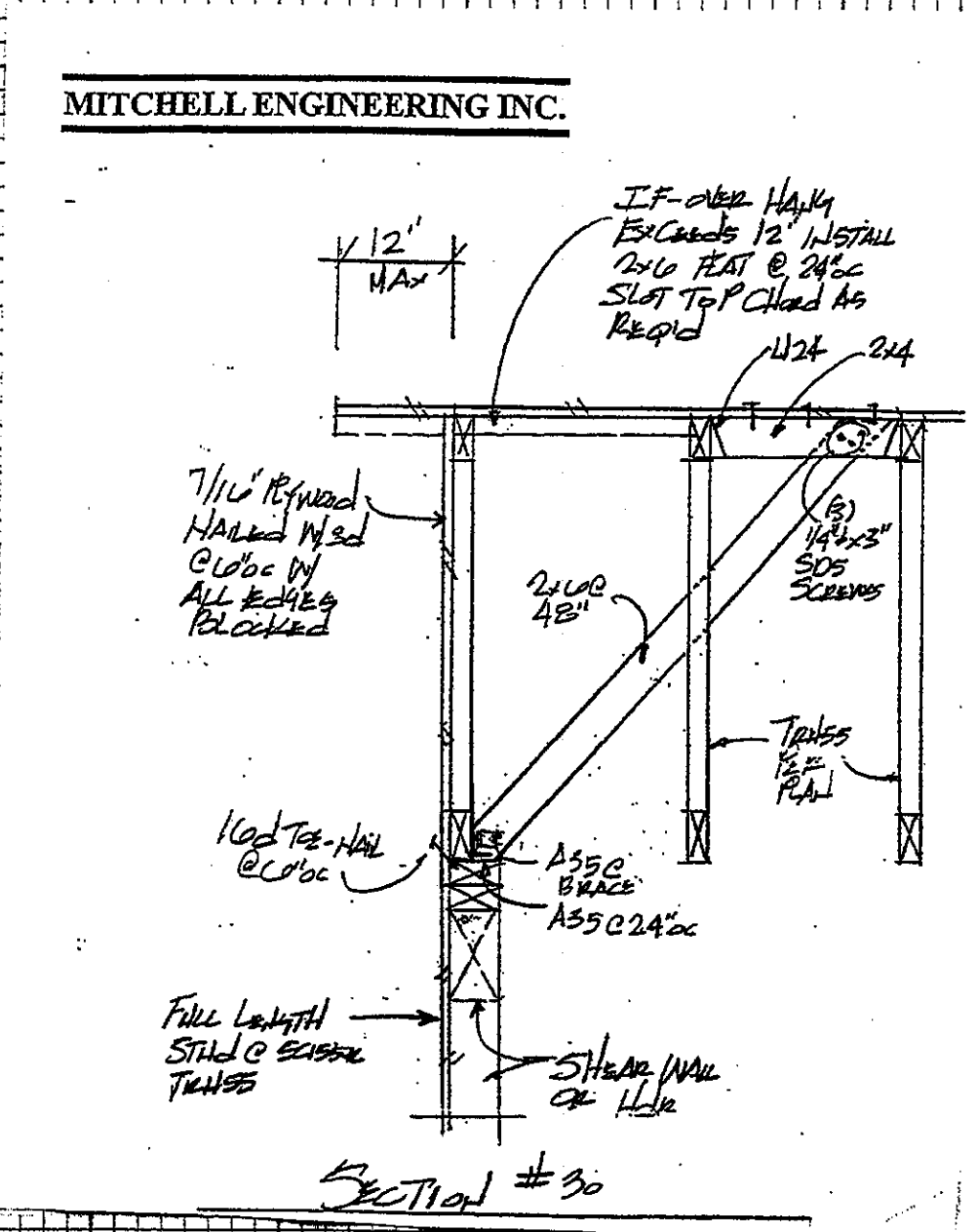
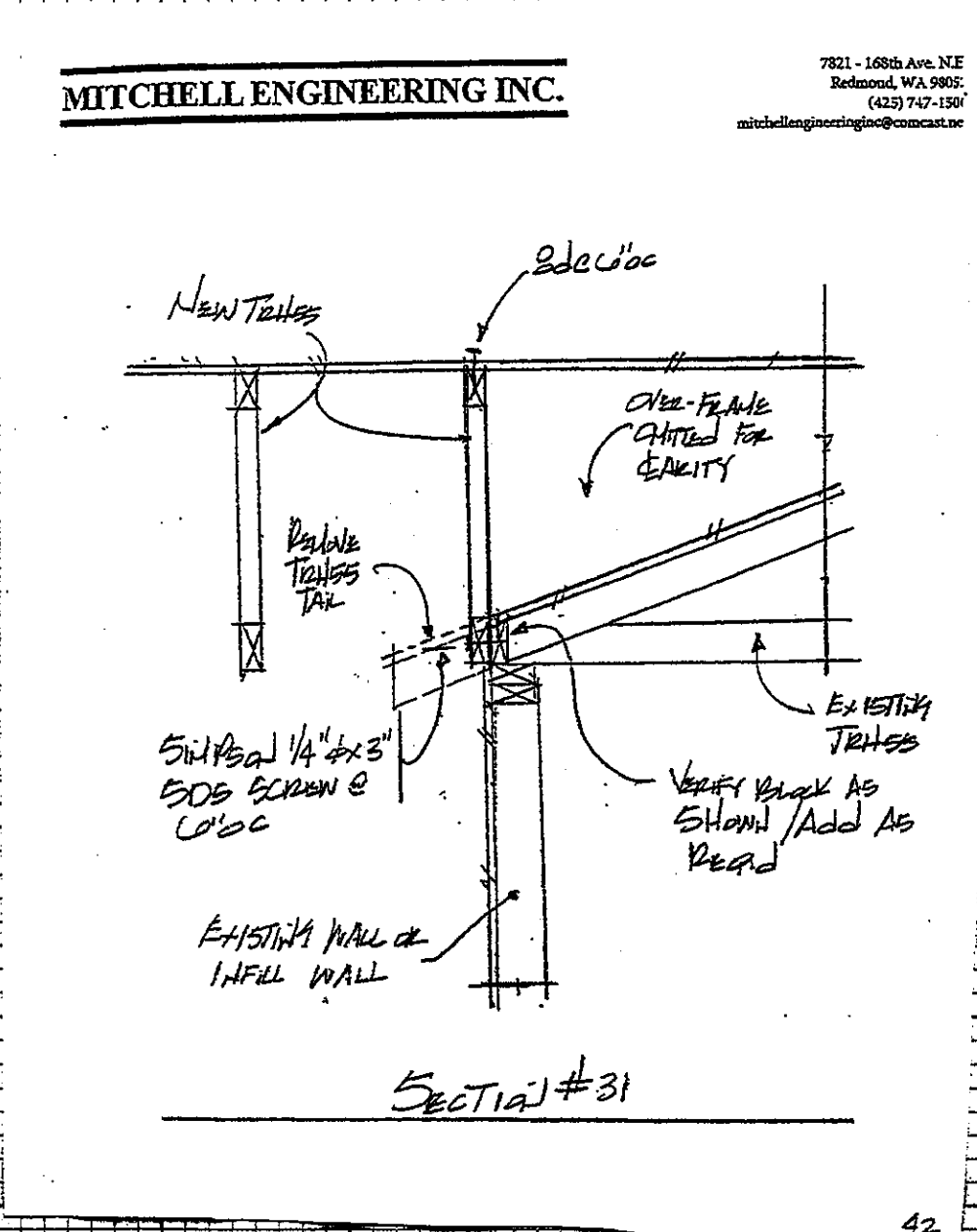
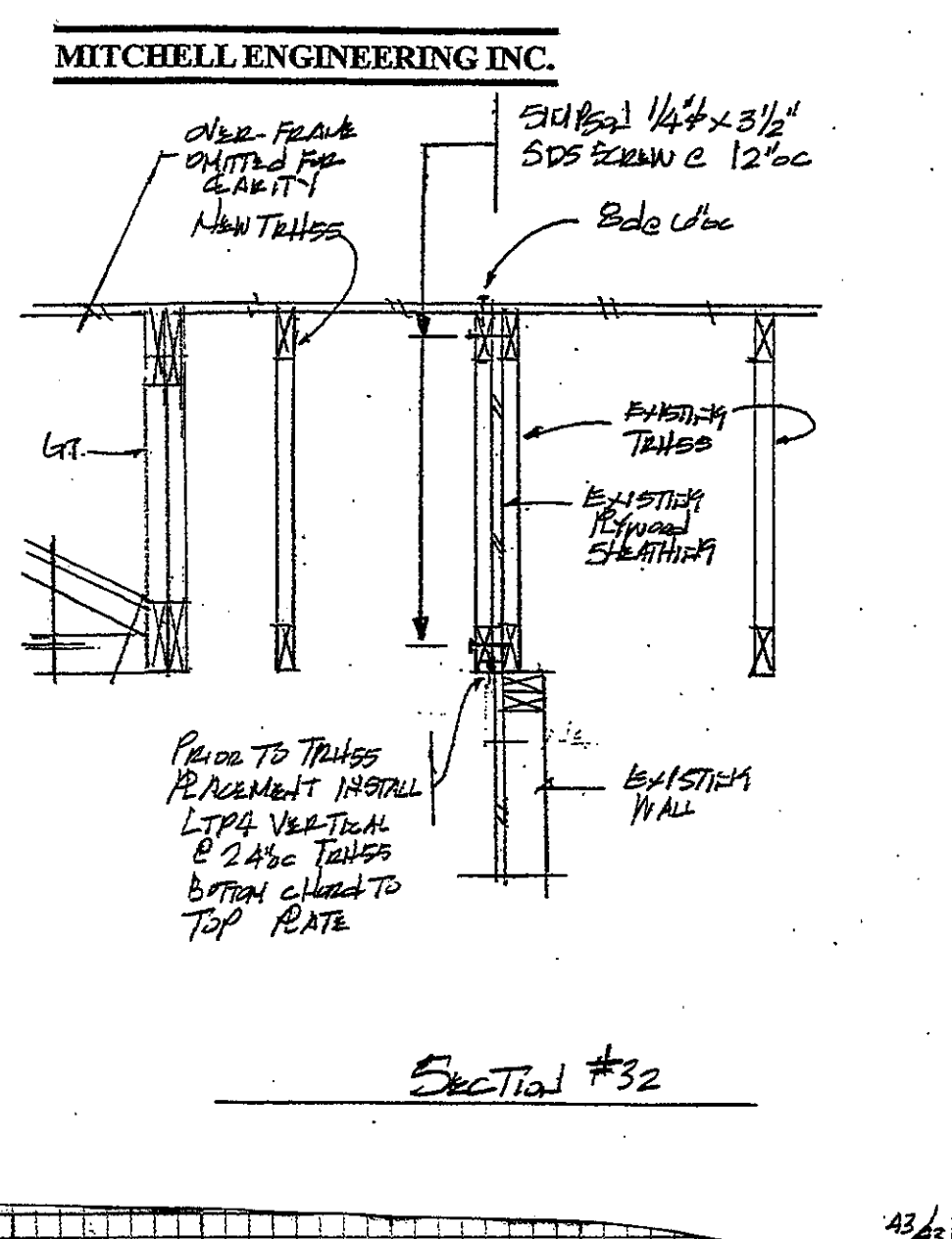
Reference: 1720

Date: _____

SKOGLUND HOME DESIGN

425 - 802 - 5678
 skoglundhomedesign@hotmail.com

**PAGED 1 OF 2
 DETAILS 2**



MITCHELL ENGINEERING INC.
7821 - 168th Ave. N.E.
Redmond, WA 98072
(509) 747-1500
mitchellengineering.com

SKOGLUND HOME DESIGN

Client: **Gieson**
Reference: 1720
Date:

PAGE 2 OF 2
DETAILS 2

425 - 802 - 5678
skoglundhomedesign@hotmail.com

CITY OF EVERETT
REVIEWED FOR PERMIT